

- 1
- 2
- 3
- 4
- 5
- 6
- 7
- 8
- 9
- 10
- 11
- 12
- 13
- 14
- 15
- 16
- 17
- 18

THREADED BODY AND LOCKING NUT

Zinc-plated steel.

PLUNGER

AISI 303 stainless steel.

LIFTING RING / OVAL EYELET

AISI 301 stainless steel.

SPRING

AISI 301 stainless steel.

KNOB

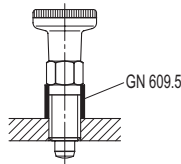
High-resilience polyamide based (PA) technopolymer, black colour, matte finish.

STANDARD EXECUTIONS

- GN 717-A-ST: lifting ring, without locking nut.
- GN 717-AK-ST: lifting ring, with locking nut.
- GN 717-B-ST: lifting knob, without locking nut.
- GN 717-BK-ST: lifting knob, with locking nut.
- GN 717-C-ST: lifting knob and rest in retracted position, without locking nut.
- GN 717-CK-ST: lifting knob and rest in retracted position, with locking nut.
- GN 717-D-ST: lifting oval eyelet, without locking nut.
- GN 717-DK-ST: lifting oval eyelet, with locking nut.

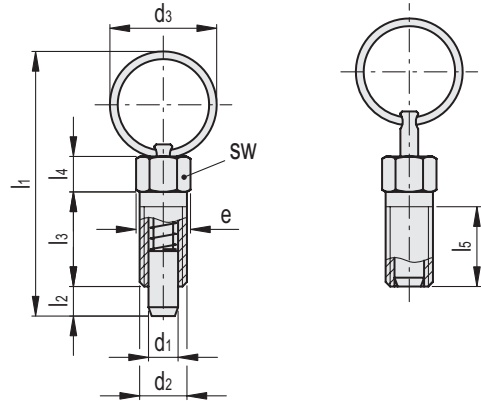
ACCESSORIES ON REQUEST

AISI 303 stainless steel distance bushings GN 609.5 (see page 1030) for the assembly of the indexing plunger on thin sheets.



Conversion Table	
1 mm = 0.039 inch	
d1	
mm	inch
3	0.12
4	0.16
5	0.20
6	0.24
8	0.31
10	0.39

GN 717-A-ST



GN 717-A-ST

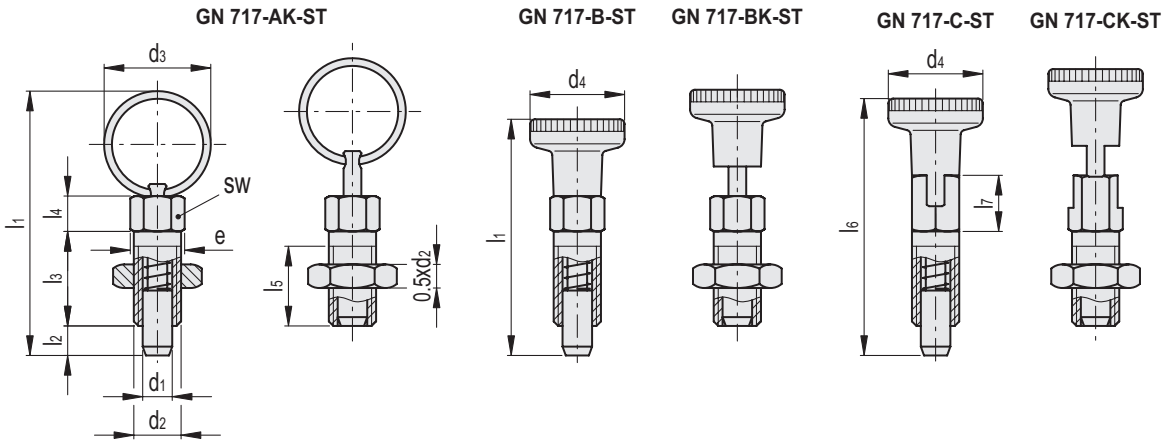
METRIC

Code	Description	d1										Maximum tightening			
		Plunger +0 -0.05 Hole +0.03 +0.08	d2	d3	e	l1	l2	l3	l4	l5	sw	torque [Nm]	[N]*	[N]#	ΔΔ
GN.37308	GN 717-3-M6-A-ST	3	M6	14	6.9	33.5	3.5	12	4.5	10	6	2	3	12	4
GN.37305	GN 717-3-M6X0.75-A-ST	3	M6x0.75	14	6.9	33.5	3.5	12	4.5	10	6	3	3	12	4
GN.37301	GN 717-4-M6-A-ST	4	M6	14	6.9	33.5	4	12	4.5	10	6	2	3	12	4
GN.37315	GN 717-4-M8X1-A-ST	4	M8x1	14	9.2	40.4	4.5	16	6	13.5	8	8	5	24	8
GN.37302	GN 717-5-M8-A-ST	5	M8	18	9.2	45	5	16	6	13.5	8	7	5	24	8
GN.37375	GN 717-5-M8X1-A-ST	5	M8x1	18	9.2	45	5	16	6	13.5	8	7	5	24	14
GN.37318	GN 717-5-M10X1-A-ST	5	M10x1	18	11.5	45	5	16	6	13.5	10	22	5	24	17
GN.37303	GN 717-6-M10-A-ST	6	M10	24	11.5	57.1	6	20	7.5	17	10	15	5	21	17
GN.37325	GN 717-6-M12X1.5-A-ST	6	M12x1.5	24	13.8	57.1	6	20	7.5	16.5	12	38	5	21	30
GN.37304	GN 717-8-M12-A-ST	8	M12	30	13.8	71	8	24	9	20.5	12	20	6	22	30
GN.37395	GN 717-8-M12X1.5-A-ST	8	M12x1.5	30	13.8	71	8	24	9	20.5	12	20	6	22	42
GN.37328	GN 717-8-M16X1.5-A-ST	8	M16x1.5	30	19.6	71	8	24	9	20.5	17	80	6	22	54
GN.37415	GN 717-10-M16X1.5-A-ST	10	M16x1.5	30	19.6	74.8	10	26	9	22.5	17	80	4	27	70

* Spring preload

Spring maximum load

Indexing and positioning elements



GN 717-AK-ST

METRIC

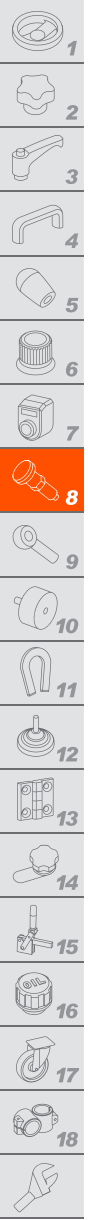
Code	Description	d1		d2	d3	e	l1	l2	l3	l4	l5	sw	Maximum tightening torque [Nm]			
		Plunger +0 -0.05	Hole +0.03 +0.08										[N]*	[N]#	Δ	Δ
GN.37253	GN 717-3-M6-AK-ST	3	M6	14	6.9	33.5	3.5	12	4.5	10	6	2	3	12	4	
GN.37250	GN 717-3-M6X0.75-AK-ST	3	M6x0.75	14	6.9	33.5	3.5	12	4.5	10	6	3	3	12	5	
GN.37311	GN 717-4-M6-AK-ST	4	M6	14	6.9	33.5	4	12	4.5	10	6	2	3	12	5	
GN.37256	GN 717-4-M8X1-AK-ST	4	M8x1	14	9.2	40.4	4.5	16	6	13.5	8	8	5	24	11	
GN.37312	GN 717-5-M8-AK-ST	5	M8	18	9.2	45	5	16	6	13.5	8	7	5	24	11	
GN.37378	GN 717-5-M8X1-AK-ST	5	M8x1	18	9.2	45	5	16	6	13.5	8	7	5	24	19	
GN.37259	GN 717-5-M10X1-AK-ST	5	M10x1	18	11.5	45	5	16	6	13.5	10	22	5	24	22	
GN.37313	GN 717-6-M10-AK-ST	6	M10	24	11.5	57.1	6	20	7.5	17	10	15	5	21	22	
GN.37262	GN 717-6-M12X1.5-AK-ST	6	M12x1.5	24	13.8	57.1	6	20	7.5	16.5	12	38	5	21	41	
GN.37314	GN 717-8-M12-AK-ST	8	M12	30	13.8	71	8	24	9	20.5	12	20	6	22	41	
GN.37398	GN 717-8-M12X1.5-AK-ST	8	M12x1.5	30	13.8	71	8	24	9	20.5	12	20	6	22	68	
GN.37265	GN 717-8-M16X1.5-AK-ST	8	M16x1.5	30	19.6	71	8	24	9	20.5	17	80	6	22	80	
GN.37418	GN 717-10-M16X1.5-AK-ST	10	M16x1.5	30	19.6	74.8	10	26	9	22.5	17	80	4	27	104	

GN 717-B-ST

Code	Description	d1		d2	d4	e	l1	l2	l3	l4	l5	sw	Maximum tightening torque [Nm]			
		Plunger +0 -0.05	Hole +0.03 +0.08										[N]*	[N]#	Δ	Δ
GN.37309	GN 717-3-M6-B-ST	3	M6	12	6.9	30	3.5	12	4.5	10	6	2	3	12	4	
GN.37306	GN 717-3-M6X0.75-B-ST	3	M6x0.75	12	6.9	30	3.5	12	4.5	10	6	3	3	12	4	
GN.37321	GN 717-4-M6-B-ST	4	M6	12	6.9	30.5	4	12	4.5	10	6	2	3	12	4	
GN.37316	GN 717-4-M8X1-B-ST	4	M8x1	16	9.2	39.5	4.5	16	6	13.5	8	8	5	24	9	
GN.37322	GN 717-5-M8-B-ST	5	M8	16	9.2	40	5	16	6	13.5	8	7	5	24	9	
GN.37376	GN 717-5-M8X1-B-ST	5	M8x1	16	9.2	40	5	16	6	13.5	8	7	5	24	14	
GN.37319	GN 717-5-M10X1-B-ST	5	M10x1	18	11.5	42.5	5	16	6	13.5	10	22	5	24	18	
GN.37323	GN 717-6-M10-B-ST	6	M10	18	11.5	49	6	20	7.5	17	10	15	5	21	18	
GN.37326	GN 717-6-M12X1.5-B-ST	6	M12x1.5	21	13.8	52	6	20	7.5	16.5	12	38	5	21	32	
GN.37324	GN 717-8-M12-B-ST	8	M12	21	13.8	59	8	24	9	20.5	12	20	6	22	32	
GN.37396	GN 717-8-M12X1.5-B-ST	8	M12x1.5	21	13.8	59	8	24	9	20.5	12	20	6	22	42	
GN.37329	GN 717-8-M16X1.5-B-ST	8	M16x1.5	25	19.6	63.5	8	24	9	20.5	17	80	6	22	50	
GN.37416	GN 717-10-M16X1.5-B-ST	10	M16x1.5	25	19.6	67.5	10	26	9	22.5	17	80	4	27	71	

* Spring preload

Spring maximum load



METRIC

GN 717-BK-ST

Code	Description	d1										Maximum tightening			
		Plunger +0 -0.05 Hole +0.03 +0.08	d2	d4	e	l1	l2	l3	l4	l5	sw	torque [Nm]	[N]*	[N]#	ΔΔ
GN.37254	GN 717-3-M6-BK-ST	3	M6	12	6.9	30	3.5	12	4.5	10	6	2	3	12	4
GN.37251	GN 717-3-M6X0.75-BK-ST	3	M6x0.75	12	6.9	30	3.5	12	4.5	10	6	3	3	12	5
GN.37331	GN 717-4-M6-BK-ST	4	M6	12	6.9	30.5	4	12	4.5	10	6	2	3	12	5
GN.37257	GN 717-4-M8X1-BK-ST	4	M8x1	16	9.2	39.5	4.5	16	6	13.5	8	8	5	24	12
GN.37332	GN 717-5-M8-BK-ST	5	M8	16	9.2	40	5	16	6	13.5	8	7	5	24	12
GN.37379	GN 717-5-M8X1-BK-ST	5	M8x1	16	9.2	40	5	16	6	13.5	8	7	5	24	19
GN.37260	GN 717-5-M10X1-BK-ST	5	M10x1	18	11.5	42.5	5	16	6	13.5	10	22	5	24	23
GN.37333	GN 717-6-M10-BK-ST	6	M10	18	11.5	49	6	20	7.5	17	10	15	5	21	23
GN.37263	GN 717-6-M12X1.5-BK-ST	6	M12x1.5	21	13.8	52	6	20	7.5	16.5	12	38	5	21	43
GN.37334	GN 717-8-M12-BK-ST	8	M12	21	13.8	59	8	24	9	20.5	12	20	6	22	43
GN.37399	GN 717-8-M12X1.5-BK-ST	8	M12x1.5	21	13.8	59	8	24	9	20.5	12	20	6	22	68
GN.37266	GN 717-8-M16X1.5-BK-ST	8	M16x1.5	25	19.6	63.5	8	24	9	20.5	17	80	6	22	80
GN.37419	GN 717-10-M16X1.5-BK-ST	10	M16x1.5	25	19.6	67.5	10	26	9	22.5	17	80	4	27	104

GN 717-C-ST

Code	Description	d1										Maximum tightening			
		Plunger +0 -0.05 Hole +0.03 +0.08	d2	d4	e	l2	l3	l5	l6	l7	sw	torque [Nm]	[N]*	[N]#	ΔΔ
GN.37310	GN 717-3-M6-C-ST	3	M6	12	6.9	3.5	12	10	32.5	7	6	2	3	12	4
GN.37307	GN 717-3-M6X0.75-C-ST	3	M6x0.75	12	6.9	3.5	12	10	32.5	7	6	3	3	12	4
GN.37341	GN 717-4-M6-C-ST	4	M6	12	6.9	4	12	10	33	7	6	2	3	12	4
GN.37317	GN 717-4-M8X1-C-ST	4	M8x1	16	9.2	4.5	16	13.5	43	9.5	8	8	5	24	10
GN.37342	GN 717-5-M8-C-ST	5	M8	16	9.2	5	16	13.5	43.5	9.5	8	7	5	24	10
GN.37377	GN 717-5-M8X1-C-ST	5	M8x1	16	9.2	5	16	13.5	43.5	9.5	8	7	5	24	16
GN.37320	GN 717-5-M10X1-C-ST	5	M10x1	18	11.5	5	16	13.5	46	9.5	10	22	5	24	19
GN.37343	GN 717-6-M10-C-ST	6	M10	18	11.5	6	20	17	52	10.5	10	15	5	21	19
GN.37327	GN 717-6-M12X1.5-C-ST	6	M12x1.5	21	13.8	6	20	16.5	55	10.5	12	38	5	21	35
GN.37344	GN 717-8-M12-C-ST	8	M12	21	13.8	8	24	20.5	63.5	13.5	12	20	6	22	35
GN.37397	GN 717-8-M12X1.5-C-ST	8	M12x1.5	21	13.8	8	24	20.5	63.5	13.5	12	20	6	22	48
GN.37330	GN 717-8-M16X1.5-C-ST	8	M16x1.5	25	19.6	8	24	20.5	68	13.5	17	80	6	22	60
GN.37417	GN 717-10-M16X1.5-C-ST	10	M16x1.5	25	19.6	10	26	22.5	72.5	14	17	80	4	27	80

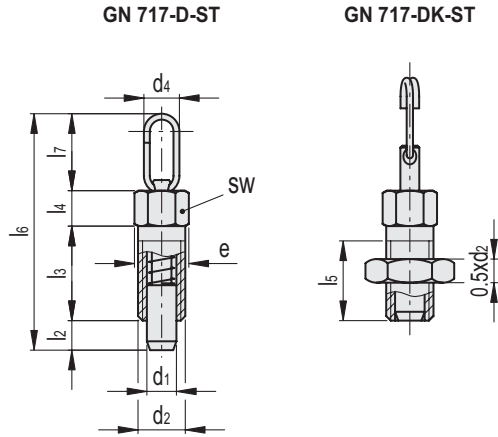
GN 717-CK-ST

Code	Description	d1										Maximum tightening			
		Plunger +0 -0.05 Hole +0.03 +0.08	d2	d4	e	l2	l3	l5	l6	l7	sw	torque [Nm]	[N]*	[N]#	ΔΔ
GN.37255	GN 717-3-M6-CK-ST	3	M6	12	6.9	3.5	12	10	32.5	7	6	2	3	12	4
GN.37252	GN 717-3-M6X0.75-CK-ST	3	M6x0.75	12	6.9	3.5	12	10	32.5	7	6	3	3	12	5
GN.37351	GN 717-4-M6-CK-ST	4	M6	12	6.9	4	12	10	33	7	6	2	3	12	5
GN.37258	GN 717-4-M8X1-CK-ST	4	M8x1	16	9.2	4.5	16	13.5	43	9.5	8	8	5	24	12
GN.37352	GN 717-5-M8-CK-ST	5	M8	16	9.2	5	16	13.5	43.5	9.5	8	7	5	24	12
GN.37380	GN 717-5-M8X1-CK-ST	5	M8x1	16	9.2	5	16	13.5	43.5	9.5	8	7	5	24	18
GN.37261	GN 717-5-M10X1-CK-ST	5	M10x1	18	11.5	5	16	13.5	46	9.5	10	22	5	24	24
GN.37353	GN 717-6-M10-CK-ST	6	M10	18	11.5	6	20	17	52	10.5	10	15	5	21	24
GN.37264	GN 717-6-M12X1.5-CK-ST	6	M12x1.5	21	13.8	6	20	16.5	55	10.5	12	38	5	21	46
GN.37354	GN 717-8-M12-CK-ST	8	M12	21	13.8	8	24	20.5	63.5	13.5	12	20	6	22	46
GN.37400	GN 717-8-M12X1.5-CK-ST	8	M12x1.5	21	13.8	8	24	20.5	63.5	13.5	12	20	6	22	68
GN.37267	GN 717-8-M16X1.5-CK-ST	8	M16x1.5	25	19.6	8	24	20.5	68	13.5	17	80	6	22	80
GN.37420	GN 717-10-M16X1.5-CK-ST	10	M16x1.5	25	19.6	10	26	22.5	72.5	14	17	80	4	27	110

Indexing and positioning elements

* Spring preload
Spring maximum load

Conversion Table 1 mm = 0.039 inch	
d1	
mm	inch
3	0.12
4	0.16
5	0.20
6	0.24
8	0.31
10	0.39



GN 717-D-ST

METRIC

Code	Description	d1		d2	d4	e	l2	l3	l4	l5	l6	l7	sw	Maximum tightening torque			
		Plunger +0 -0.05	Hole +0.03 +0.08											[Nm]	[N]*	[N]#	ΔΔ
GN.36221	GN 717-3-M6-D-ST	3	M6	6	6.9	3.5	12	4.5	10	32.9	12.9	6	2	3	12	3	
GN.36222	GN 717-3-M6X0.75-D-ST	3	M6x0.75	6	6.9	3.5	12	4.5	10	32.9	12.9	6	3	3	12	3	
GN.36224	GN 717-4-M6-D-ST	4	M6	6	6.9	4	12	4.5	10	33.4	12.9	6	2	3	12	4	
GN.36225	GN 717-4-M8X1-D-ST	4	M8x1	6	9.2	4.5	16	6	13.5	42	15.5	8	8	5	24	9	
GN.36227	GN 717-5-M8-D-ST	5	M8	7.2	9.2	5	16	6	13.5	42.5	15.5	8	7	5	24	9	
GN.36228	GN 717-5-M8X1-D-ST	5	M8x1	7.2	9.2	5	16	6	13.5	42.5	15.5	8	7	5	24	9	
GN.36229	GN 717-5-M10X1-D-ST	5	M10x1	7.2	11.5	5	16	6	13.5	42.5	15.5	10	22	5	24	17	
GN.36231	GN 717-6-M10-D-ST	6	M10	9.5	11.5	6	20	7.5	17	54.4	20.9	10	15	5	21	14	
GN.36232	GN 717-6-M12X1.5-D-ST	6	M12x1.5	9.5	13.8	6	20	7.5	16.5	54.4	20.9	12	38	5	21	21	
GN.36234	GN 717-8-M12-D-ST	8	M12	11.8	13.8	8	24	9	20.5	66.9	25.9	12	20	6	22	26	
GN.36235	GN 717-8-M12X1.5-D-ST	8	M12x1.5	11.8	13.8	8	24	9	20.5	66.9	25.9	12	20	6	22	29	
GN.36236	GN 717-8-M16X1.5-D-ST	8	M16x1.5	11.8	19.6	8	24	9	20.5	66.9	25.9	17	80	6	22	52	
GN.36238	GN 717-10-M16X1.5-D-ST	10	M16x1.5	11.8	19.6	10	26	9	22.5	70.9	25.9	17	80	4	27	54	

GN 717-DK-ST

Code	Description	d1		d2	d4	e	l2	l3	l4	l5	l6	l7	sw	Maximum tightening torque			
		Plunger +0 -0.05	Hole +0.03 +0.08											[Nm]	[N]*	[N]#	ΔΔ
GN.36261	GN 717-3-M6-DK-ST	3	M6	6	6.9	3.5	12	4.5	10	32.9	12.9	6	2	3	12	5	
GN.36262	GN 717-3-M6X0.75-DK-ST	3	M6x0.75	6	6.9	3.5	12	4.5	10	32.9	12.9	6	3	3	12	5	
GN.36264	GN 717-4-M6-DK-ST	4	M6	6	6.9	4	12	4.5	10	33.4	12.9	6	2	3	12	5	
GN.36265	GN 717-4-M8X1-DK-ST	4	M8x1	6	9.2	4.5	16	6	13.5	42	15.5	8	8	5	24	12	
GN.36267	GN 717-5-M8-DK-ST	5	M8	7.2	9.2	5	16	6	13.5	42.5	15.5	8	7	5	24	12	
GN.36268	GN 717-5-M8X1-DK-ST	5	M8x1	7.2	9.2	5	16	6	13.5	42.5	15.5	8	7	5	24	12	
GN.36269	GN 717-5-M10X1-DK-ST	5	M10x1	7.2	11.5	5	16	6	13.5	42.5	15.5	10	22	5	24	19	
GN.36271	GN 717-6-M10-DK-ST	6	M10	9.5	11.5	6	20	7.5	17	54.4	20.9	10	15	5	21	24	
GN.36272	GN 717-6-M12X1.5-DK-ST	6	M12x1.5	9.5	13.8	6	20	7.5	16.5	54.4	20.9	12	38	5	21	33	
GN.36274	GN 717-8-M12-DK-ST	8	M12	11.8	13.8	8	24	9	20.5	66.9	25.9	12	20	6	22	42	
GN.36275	GN 717-8-M12X1.5-DK-ST	8	M12x1.5	11.8	13.8	8	24	9	20.5	66.9	25.9	12	20	6	22	42	
GN.36276	GN 717-8-M16X1.5-DK-ST	8	M16x1.5	11.8	19.6	8	24	9	20.5	66.9	25.9	17	80	6	22	76	
GN.36278	GN 717-10-M16X1.5-DK-ST	10	M16x1.5	11.8	19.6	10	26	9	22.5	70.9	25.9	17	80	4	27	78	

* Spring preload
Spring maximum load

X-ON Electronics

Largest Supplier of Electrical and Electronic Components

Click to view similar products for [Heavy Duty Power Connectors](#) category:

Click to view products by [Elesa & Ganter](#) manufacturer:

Other Similar products are found below :

[647757-1](#) [6643411-1](#) [6646058-2](#) [6646137-1](#) [6646138-1](#) [6646479-1](#) [6646608-1](#) [6646786-1](#) [6646940-1](#) [6651091-1](#) [6651525-1](#) [6651529-1](#)
[6651788-1](#) [696475-1](#) [702-32-01109](#) [703-25-02205](#) [73000005059](#) [73000005642](#) [73080255059](#) [765-15-0080A](#) [765-16-0080B](#) [765-18-0080D](#)
[829992-1](#) [902-77-02113](#) [PS00/A0620/6300](#) [PS25/A0420/63](#) [129-1J](#) [1409400](#) [AN0024023](#) [1460286](#) [E6374G1](#) [e6389g2](#) [157-43GW8](#)
[MS3117-14AC](#) [1643543-1](#) [1650540-1](#) [1651811-2](#) [1766260-1](#) [1766282-1](#) [1766966-1](#) [1791340000](#) [NLDFT-3-BL-L-S120-M40A](#) [NLDFT-N-](#)
[W-L-C240-M40B](#) [NLS-2-R-C240-M40B](#) [NLS-N-W-C240-M40B](#) [NPS-3-BL-T6](#) [1986615-1](#) [2-1589900-8](#) [2199314-1](#) [9300480317](#)