

Stainless Steel- Multiple-joint hinges

inside, opening angle 180°

SPECIFICATION

Types

- Type **L**: Fixing angle piece left
- Type **R**: Fixing angle piece right

Stainless Steel **NI**

- AISI 304
- matte, tumbled finish **MT**

Friction bearing
Bronze
self lubricated

INFORMATION

Stainless Steel-Multiple-joint hinges GN 7237 are installed on the inside of flaps, hatches and doors to save space and ensure protection against vandalism. The hinges have a maximum opening angle of 180°, which provides optimal accessibility and avoids the blocking of escape routes by open doors, for example. Use of this hinge type leaves housing exteriors free of attachments that do not match the design or that should be avoided entirely in the interests of fast and easy cleaning.

Stainless Steel-Multiple-joint hinges are generally used in pairs, meaning that one type L and one type R are used per opening. For higher loads, e.g. from large hatches, these can be supplemented with additional hinges of either type.

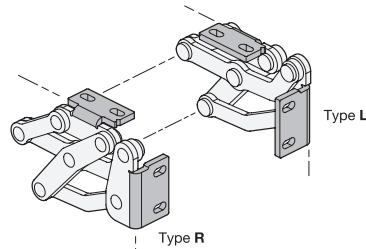
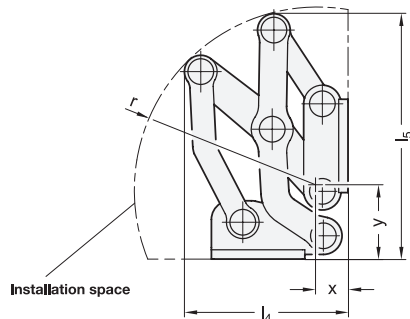
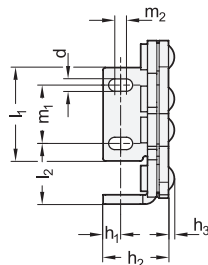
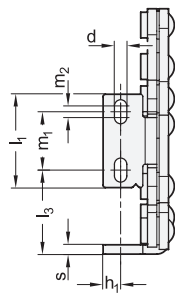
TECHNICAL INFORMATION

- Stainless Steel characteristics (see page A26)



ON REQUEST

- other opening angles
- other fixing angle pieces
- other materials
- other finishes
- other max. wall thicknesses
- other lifting motion
- with pneumatic spring connection



GN 7237

Description	l1	d	h1	h2	h3	l2	l3	l4	l5	l6	l7	l8	l9	m1	m2	r	s	x	y	⚖️
GN 7237-NI-40-L-MT	40	5.3	7.5	28	2.5	26	36	70.1	105.2	74.5	27.4	101.9	16	25	5	78.5	4	13	29.5	250
GN 7237-NI-50-L-MT	50	6.5	10	35	2.5	35	46	92.3	140	102.8	39.3	134.7	27.8	30	6	105	5	18	38	550
GN 7237-NI-60-L-MT	60	8.5	12.5	40	2.5	40	61	116.5	179.5	125.2	51.3	172.2	37.2	36	8	137.5	5	19	47	700
GN 7237-NI-40-R-MT	40	5.3	7.5	28	2.5	26	36	70.1	105.2	74.5	27.4	101.9	16	25	5	78.5	4	13	29.5	250
GN 7237-NI-50-R-MT	50	6.5	10	35	2.5	35	46	92.3	140	102.8	39.3	134.7	27.8	30	6	105	5	18	38	550
GN 7237-NI-60-R-MT	60	8.5	12.5	40	2.5	40	61	116.5	179.5	125.2	51.3	172.2	37.2	36	8	137.5	5	19	47	700

X-ON Electronics

Largest Supplier of Electrical and Electronic Components

Click to view similar products for [Mounting Fixings](#) category:

Click to view products by [Elesa & Ganter](#) manufacturer:

Other Similar products are found below :

[007310](#) [007541](#) [6-141-P](#) [620HA038NF09](#) [620HA038NF11](#) [71-074914-006](#) [71-146610-6H](#) [712HA170B23128-N](#) [71-441549-19S](#) [71-490451-4H](#) [75-69211-3P](#) [75-69220-27S](#) [75-69224-5S](#) [770-006A109](#) [770-006A109R](#) [770-006A207](#) [770-006A208W1](#) [770-006A209](#) [770-006A306](#) [770-006A703W1](#) [770-006A704](#) [770-006A704W1](#) [770-006A705](#) [770-006A706](#) [770-006A706W1](#) [770-006A707](#) [770-006A709](#) [770-007A203](#) [770-007A203W1](#) [770-007A204W1](#) [770-007A207W1](#) [770-007A703](#) [770-007A704W1](#) [770-007A706](#) [770-007A707W1](#) [770-010Y208](#) [770-010Y308](#) [770-010Y705](#) [770-010Y706](#) [770-010Y707W1](#) [770-011T201](#) [770-011T203](#) [770-011T701W1](#) [770-011T702](#) [770-011T702W1](#) [770-011T703](#) [770-013210W1](#) [770-013311](#) [770-013312](#) [770-013709](#)