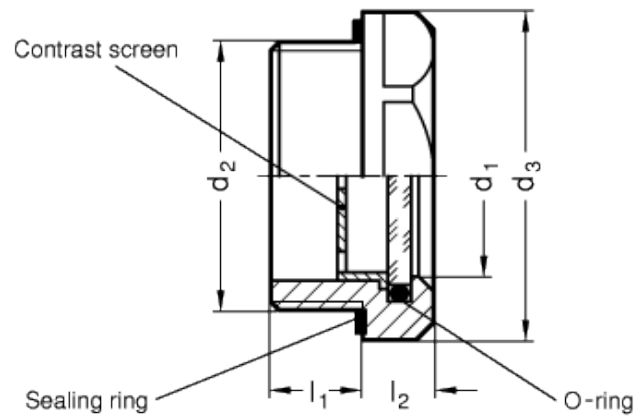
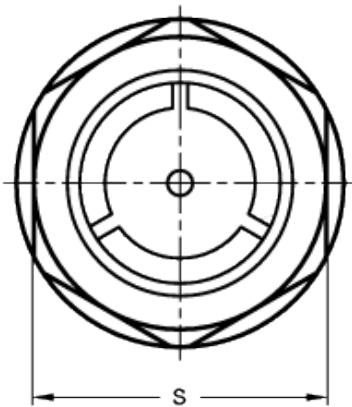


GN 743

Oil level indicators



technical informations

Material

Aluminium, fine turned finish.

- Version A: with technopolymer (Polysulfon) contrast screen.
- Version B: without contrast screen.

Window

Float-glass.

Flat packing ring

NBR synthetic rubber.

Maximum continuous working temperature

100°C.

Accessories on request

Brass nut type **GH**, for fitting to reservoirs with wall thickness smaller than 5 mm.

Features and applications

GN 743 oil level indicators can be used on pressurised oil tanks (oil-proof resistance data available on request). The natural glass window is resistant to scratches.

The seal between the aluminium body and the glass window is guaranteed by a packing ring in NBR synthetic rubber.

Standard Elements	Main dimensions						Weight
	Description	d ₁	d ₂	d ₃	l ₁	l ₂	
GN 743-11-M16x1.5-A	11	M16x1.5	22	8	7.5	20	8
GN 743-14-M20x1.5-A	14	M20x1.5	26	8.5	7.5	23	10
GN 743-18-M26x1.5-A	18	M26x1.5	32	9	8	30	18
GN 743-18-M27x1.5-A	18	M27x1.5	32	9	8	30	18
GN 743-24-M33x1.5-A	24	M33x1.5	40	11	8.5	36	26
GN 743-32-M40x1.5-A	32	M40x1.5	50	12	8.5	46	39
GN 743-32-M42x1.5-A	32	M42x1.5	50	12	9	46	43
GN 743-11-G3/8-A	11	G 3/8	22	8	7.5	20	9
GN 743-14-G1/2-A	14	G 1/2	26	8.5	7.5	23	11
GN 743-18-G3/4-A	18	G 3/4	32	9	8	30	18
GN 743-24-G1-A	24	G 1	40	11	8.5	36	26
GN 743-32-G1¼-A	32	G 1¼	50	12	9	46	42
GN 743-32-G1½-A	32	G 1½	60	13	9	55	45
GN 743-11-M16x1.5-B	11	M16x1.5	22	8	7.5	20	8
GN 743-14-M20x1.5-B	14	M20x1.5	26	8.5	7.5	23	10
GN 743-18-M26x1.5-B	18	M26x1.5	32	9	8	30	18
GN 743-18-M27x1.5-B	18	M27x1.5	32	9	8	30	18
GN 743-24-M33x1.5-B	24	M33x1.5	40	11	8.5	36	26
GN 743-32-M40x1.5-B	12	M40x1.5	50	12	8.5	46	39
GN 743-32-M42x1.5-B	32	M42x1.5	50	12	9	46	43
GN 743-11-G3/8-B	11	G 3/8	22	8	7.5	20	9
GN 743-14-G1/2-B	14	G 1/2	26	8.5	7.5	23	11
GN 743-18-G3/4-B	18	G 3/4	32	9	8	30	18
GN 743-24-G1-B	24	G 1	40	11	8.5	36	26
GN 743-32-G1¼-B	32	G 1¼	50	12	9	46	42
GN 743-32-G1½-B	32	G1½	60	13	9	55	45



ELESA and GANTER models all rights reserved in accordance with the law. Always mention the source when reproducing our drawings.

STANDARD MACHINE ELEMENTS WORLDWIDE

X-ON Electronics

Largest Supplier of Electrical and Electronic Components

Click to view similar products for [LED Panel Mount Indicators](#) category:

Click to view products by [Elesa & Ganter](#) manufacturer:

Other Similar products are found below :

[821-0331-503](#) [FL2870C8R](#) [FL2950WL7B](#) [FL2950WL8G](#) [FL589WL8R](#) [FL67C8R](#) [H8630FBBA3](#) [NL1041WL3A](#) [NL177WL3G](#)
[NL2950BWL3G](#) [NL589WL2R](#) [NL67C2C](#) [NL67C3R](#) [C430ABWC2](#) [PB22BM41K](#) [PB22SIM40Y](#) [PB22SKRS31KC](#) [L32R-R2-2311](#) [L3353-](#)
[MWRG](#) [L39UR-R24-2111](#) [L58D-G2-W](#) [L58D-Y2-W](#) [L59D-R12-W](#) [L59UD-R12-W](#) [L625DG](#) [L625DR](#) [LE177WL39007](#) [LE2821H5G](#)
[LH1048BSWL3702](#) [LH1048BWL3702](#) [LH382A](#) [LH677G](#) [LHM628A](#) [FL276WL7R](#) [FL2950WL7R](#) [FL2950WL8R](#) [FL2950WL8R-12](#)
[FL2951WL8G](#) [FL2951WL8R](#) [FL67C7R](#) [FL67WL8G](#) [3S6/5130V](#) [C430AABG2](#) [VL1CK0P600](#) [VL1CKGP600](#) [L32R-G2-2312](#) [L39UR-G12-](#)
[2112](#) [L39UR-R2-2111](#) [L58D-G12-W](#) [L58DP-Y2-W](#)