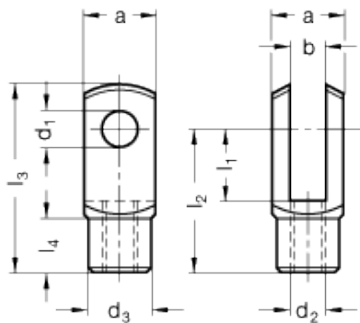


GN 751 DIN 71752

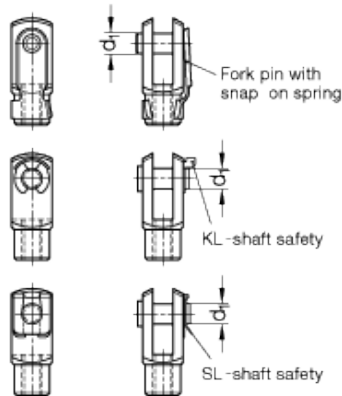
Fork joints
Fork heads



Fork head DIN 71752



Fork joints GN 751



technical informations

Material

Zinc-plated steel, blue passivated.

Shaft safety

Spring steel, hardened and tempered, zinc-plated, blue passivated.

Assembly

GN 751 fork joints consist of a DIN 71752 fork head.

Pin hole (d2) with standard thread.


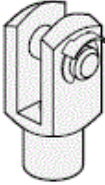
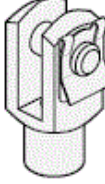
- Type B: fork pin with snap-on spring.
- Type KL: fork pin with KL-shaft safety.
- Type SL: fork pin with SL-shaft safety.

Other standard versions available

- Version L: pin hole (d2) with left-hand thread.
- Version F: pin hole (d2) with fine thread.

Features and applications

Fork joints GN 751 in aluminium consist of a fork head according DIN 71752 and a fork pin with KL-shaft safety or SL-shaft safety.
Owing to the anodized coating of the fork head and of the bolt, the bearing is virtually non-wearing.

Types of fork joint shafts	
<p>Snap-on spring</p> 	<p>The snap-on spring is easily mounted and dismantled. It is therefore particularly suitable for applications where the articulated connection needs to be loosened often.</p>
<p>KL - shaft safety</p> 	<p>The KL-shaft safety ring can be fitted and dismantled without tools, i.e. by hand.</p>
<p>SL - shaft safety</p> 	<p>The SL shaft safety ring requires a tool for dismantling (e.g. a screw driver). It is therefore better secured.</p>

Standard Elements		Main dimensions									Weight
Off pin	Complete	d _{1 H8/h11}	l ₁	d ₂	a	b	d ₃	l ₂	l ₃	l ₄	
Description	Description										g
DIN 71752-4-8-M4	GN 751-4-8-M4-KL	4	8	M4	8	4	8	16	21	6	5
DIN 71752-4-8-M4-*	GN 751-4-8-M4-SL-*	4	8	M4	8	4	8	16	21	6	5
DIN 71752-4-16-M4	GN 751-4-16-M4-KL	4	16	M4	8	4	8	16	24	6	6
DIN 71752-4-16-M4	GN 751-4-16-M4-SL	4	16	M4	8	4	8	16	24	6	6
DIN 71752-5-10-M5	GN 751-5-10-M5-KL	5	10	M5	10	5	9	20	26	7.5	9
DIN 71752-5-10-M5	GN 751-5-10-M5-B	5	10	M5	10	5	9	20	26	7.5	10
DIN 71752-5-10-M5	GN 751-5-10-M5-SL	5	10	M5	10	5	9	20	26	7.5	9
DIN 71752-5-10-M5L	GN 751-5-10-M5L-KL	5	10	M5L	10	5	9	20	26	7.5	10
DIN 71752-5-10-M5L	GN 751-5-10-M5L-B	5	10	M5L	10	5	9	20	26	7.5	10
DIN 71752-5-10-M5L	GN 751-5-10-M5L-SL	5	10	M5L	10	5	9	20	26	7.5	10
DIN 71752-5-20-M5	GN 751-5-20-M5-KL	5	20	M5	10	5	9	30	36	7.5	19
DIN 71752-5-20-M5	GN 751-5-20-M5-B	5	20	M5	10	5	9	30	36	7.5	15
DIN 71752-5-20-M5	GN 751-5-20-M5-SL	5	20	M5	10	5	9	30	36	7.5	19
DIN 71752-5-20-M5L	GN 751-5-20-M5L-KL	5	20	M5L	10	5	9	30	36	7.5	19
DIN 71752-5-20-M5L	GN 751-5-20-M5L-B	5	20	M5L	10	5	9	30	36	7.5	15
DIN 71752-5-20-M5L	GN 751-5-20-M5L-SL	5	20	M5L	10	5	9	30	36	7.5	19
DIN 71752-6-12-M6	GN 751-6-12-M6-KL	6	12	M6	12	6	10	24	31	9	20
DIN 71752-6-12-M6	GN 751-6-12-M6-B	6	12	M6	12	6	10	24	31	9	20
DIN 71752-6-12-M6	GN 751-6-12-M6-SL	6	12	M6	12	6	10	24	31	9	20
DIN 71752-6-12-M6L	GN 751-6-12-M6L-KL	6	12	M6L	12	6	10	24	31	9	20
DIN 71752-6-12-M6L	GN 751-6-12-M6L-B	6	12	M6L	12	6	10	24	31	9	20
DIN 71752-6-12-M6L	GN 751-6-12-M6L-SL	6	12	M6L	12	6	10	24	31	9	20
DIN 71752-6-24-M6	GN 751-6-24-M6-KL	6	24	M6	12	6	10	36	43	9	20
DIN 71752-6-24-M6	GN 751-6-24-M6-B	6	24	M6	12	6	10	36	43	9	25
DIN 71752-6-24-M6	GN 751-6-24-M6-SL	6	24	M6	12	6	10	36	43	9	20
DIN 71752-6-24-M6L	GN 751-6-24-M6L-KL	6	24	M6L	12	6	10	36	43	9	20
DIN 71752-6-24-M6L	GN 751-6-24-M6L-B	6	24	M6L	12	6	10	36	43	9	25
DIN 71752-6-24-M6L	GN 751-6-24-M6L-SL	6	24	M6L	12	6	10	36	43	9	20
DIN 71752-8-16-M8	GN 751-8-16-M8-KL	8	16	M8	16	8	14	32	42	12	45
DIN 71752-8-16-M8	GN 751-8-16-M8-B	8	16	M8	16	8	14	32	42	12	50
DIN 71752-8-16-M8	GN 751-8-16-M8-SL	8	16	M8	16	8	14	32	42	12	45
DIN 71752-8-16-M8F	GN 751-8-16-M8F-KL	8	16	M8F=M8x1	16	8	14	32	42	12	45
DIN 71752-8-16-M8F	GN 751-8-16-M8F-B	8	16	M8F=M8x1	16	8	14	32	42	12	50
DIN 71752-8-16-M8F	GN 751-8-16-M8F-SL	8	16	M8F=M8x1	16	8	14	32	42	12	45
DIN 71752-8-16-M8L	GN 751-8-16-M8L-KL	8	16	M8L	16	8	14	32	42	12	45
DIN 71752-8-16-M8L	GN 751-8-16-M8L-B	8	16	M8L	16	8	14	32	42	12	50
DIN 71752-8-16-M8L	GN 751-8-16-M8L-SL	8	16	M8L	16	8	14	32	42	12	45
DIN 71752-8-32-M8	GN 751-8-32-M8-KL	8	32	M8	16	8	14	48	58	12	60
DIN 71752-8-32-M8	GN 751-8-32-M8-B	8	32	M8	16	8	14	48	58	12	65
DIN 71752-8-32-M8	DIN 751-8-32-M8-SL	8	32	M8	16	8	14	48	58	12	60
DIN 71752-8-32-M8F	GN 751-8-32-M8F-KL	8	32	M8F=M8x1	16	8	14	48	58	12	60

DIN 71752-8-32-M8F	GN 751-8-32-M8F-B	8	32	M8F=M8x1	16	8	14	48	58	12	65
DIN 71752-8-32-M8F	GN 751-8-32-M8F-SL	8	32	M8F=M8x1	16	8	14	48	58	12	60
DIN 71752-8-32-M8L	GN 751-8-32-M8L-KL	8	32	M8L	16	8	14	48	58	12	65
DIN 71752-8-32-M8L	GN 751-8-32-M8L-B	8	32	M8L	16	8	14	48	58	12	65
DIN 71752-8-32-M8L	GN 751-8-32-M8L-SL	8	32	M8L	16	8	14	48	58	12	65
DIN 71752-10-20-M10	GN 751-10-20-M10-KL	10	20	M10	20	10	18	40	52	15	90
DIN 71752-10-20-M10	GN 751-10-20-M10-B	10	20	M10	20	10	18	40	52	15	90
DIN 71752-10-20-M10	GN 751-10-20-M10-SL	10	20	M10	20	10	18	40	52	15	90
DIN 71752-10-20-M10F	GN 751-10-20-M10F-KL	10	20	M10F=M10x1.25	20	10	18	40	60	15	90
DIN 71752-10-20-M10F	GN 751-10-20-M10F-B	10	20	M10F=M10x1.25	20	10	18	40	52	15	90
DIN 71752-10-20-M10F	GN 751-10-20-M10F-SL	10	20	M10F=M10x1.25	20	10	18	40	52	15	90
DIN 71752-10-20-M10L	GN 751-10-20-M10L-KL	10	20	M10L	20	10	18	40	52	15	90
DIN 71752-10-20-M10L	GN 751-10-20-M10L-B	10	20	M10L	20	10	18	40	52	15	90
DIN 71752-10-20-M10L	GN 751-10-20-M10L-SL	10	20	M10L	20	10	18	40	52	15	90
DIN 71752-10-40-M10	GN 751-10-40-M10-KL	10	40	M10	20	10	18	60	72	15	120
DIN 71752-10-40-M10	GN 751-10-40-M10-B	10	40	M10	20	10	18	60	72	15	120
DIN 71752-10-40-M10	GN 751-10-40-M10-SL	10	40	M10	20	10	18	60	72	15	120
DIN 71752-10-40-M10F	GN 751-10-40-M10F-KL	10	40	M10F=M10x1.25	20	10	18	60	72	15	120
DIN 71752-10-40-M10F	GN 751-10-40-M10F-B	10	40	M10F=M10x1.25	20	10	18	60	72	15	120
DIN 71752-10-40-M10F	GN 751-10-40-M10F-SL	10	20	M10F=M10x1.25	20	10	18	40	60	15	90
DIN 71752-10-40-M10L	GN 751-10-40-M10L-KL	10	40	M10L	20	10	18	60	72	15	120
DIN 71752-10-40-M10L	GN 751-10-40-M10L-B	10	40	M10L	20	10	18	60	72	15	120
DIN 71752-10-40-M10L	GN 751-10-40-M10L-SL	10	40	M10L	20	10	18	60	72	15	120
DIN 71752-12-24-M12	GN 751-12-24-M12-KL	12	24	M12	24	12	20	48	62	18	144
DIN 71752-12-24-M12	GN 751-12-24-M12-B	12	24	M12	24	12	20	48	62	18	150
DIN 71752-12-24-M12	GN 751-12-24-M12-SL	12	24	M12	24	12	20	48	62	18	144
DIN 71752-12-24-M12F	GN 751-12-24-M12F-KL	12	24	M12F=M12x1.25	24	12	20	48	62	18	144
DIN 71752-12-24-M12F	GN 751-12-24-M12F-B	12	24	M12F=M12x1.25	24	12	20	48	62	18	150
DIN 71752-12-24-M12F	GN 751-12-24-M12F-SL	12	24	M12F=M12x1.25	24	12	20	48	62	18	144
DIN 71752-12-24-M12L	GN 751-12-24-M12L-KL	12	24	M12L	24	12	20	48	62	18	144
DIN 71752-12-24-M12L	GN 751-12-24-M12L-B	12	24	M12L	24	12	20	48	62	18	150
DIN 71752-12-24-M12L	GN 751-12-24-M12L-SL	12	24	M12L	24	12	20	48	62	18	144
DIN 71752-12-48-M12	GN 751-12-48-M12-KL	12	48	M12	24	12	20	72	86	18	192
DIN 71752-12-48-M12	GN 751-12-48-M12-B	12	48	M12	24	12	20	72	86	18	200
DIN 71752-12-48-M12	GN 751-12-48-M12-SL	12	48	M12	24	12	20	72	86	18	192
DIN 71752-12-48-M12F	GN 751-12-48-M12F-KL	12	48	M12F=M12x1.25	24	12	20	72	86	18	192
DIN 71752-12-48-M12F	GN 751-12-48-M12F-B	12	48	M12F=M12x1.25	24	12	20	72	86	18	200
DIN 71752-12-48-M12F	GN 751-12-48-M12F-SL	12	48	M12F=M12x1.25	24	12	20	72	86	18	192
DIN 71752-12-48-M12L	GN 751-12-48-M12L-KL	12	48	M12L	24	12	20	72	86	18	192
DIN 71752-12-48-M12L	GN 751-12-48-M12L-B	12	48	M12L	24	12	20	72	86	18	200
DIN 71752-14-28-M14	GN 751-14-28-M14-SL	12	48	M12L	24	12	20	72	86	18	192
DIN 71752-14-28-M14	GN 751-14-28-M14-KL	14	28	M14	27	14	24	56	72	22.5	220
DIN 71752-14-28-M14	GN 751-14-28-M14-B	14	28	M14	27	14	24	56	72	22.5	218
DIN 71752-14-28-M14	GN 751-14-28-M14-SL	14	28	M14	27	14	24	56	72	22.5	220
DIN 71752-14-28-M14F	GN 751-14-28-M14F-KL	14	28	M14F=M14x1.5	27	14	24	56	72	22.5	220

DIN 71752-14-28-M14F	GN 751-14-28-M14F-B	14	28	M14F=M14x1.5	27	14	24	56	72	22.5	218
DIN 71752-14-28-M14F	GN 751-14-28-M14F-SL	14	28	M14F=M14x1.5	27	14	24	56	72	22.5	220
DIN 71752-14-28-M14L	GN 751-14-28-M14L-KL	14	28	M14L	27	14	24	56	72	22.5	220
DIN 71752-14-28-M14L	GN 751-14-28-M14L-B	14	28	M14L	27	14	24	65	72	22.5	218
DIN 71752-14-28-M14L	GN 751-14-28-M14L-SL	14	28	M14L	27	14	24	56	72	22.5	220
DIN 71752-14-56-M14	GN 751-14-56-M14-KL	14	56	M14	27	14	24	85	101	22.5	290
DIN 71752-14-56-M14	GN 751-14-56-M14-B	14	56	M14	27	14	24	85	101	22.5	300
DIN 71752-14-56-M14	GN 751-14-56-M14-SL	14	56	M14	27	14	24	85	101	22.5	290
DIN 71752-14-56-M14F	GN 751-14-56-M14F-KL	14	58	M14F=M14x1.5	27	14	24	85	101	22.5	290
DIN 71752-14-56-M14F	GN 751-14-56-M14F-B	14	56	M14F=M14x1.5	27	14	24	85	101	22.5	300
DIN 71752-14-56-M14F	GN 751-14-56-M14F-SL	14	58	M14F=M14x1.5	27	14	24	85	101	22.5	290
DIN 71752-14-56-M14L	GN 751-14-56-M14L-KL	14	56	M14L	27	14	24	85	101	22.5	290
DIN 71752-14-56-M14L	GN 751-14-56-M14L-B	14	56	M14L	27	14	24	85	101	22.5	300
DIN 71752-14-56-M14L	GN 751-14-56-M14L-SL	14	56	M14L	27	14	24	85	101	22.5	290
DIN 71752-16-32-M16	GN 751-16-32-M16-KL	16	32	M16	32	16	26	64	83	24	335
DIN 71752-16-32-M16	GN 751-16-32-M16-B	16	32	M16	32	16	26	64	83	24	340
DIN 71752-16-32-M16	GN 751-16-32-M16-SL	16	32	M16	32	16	26	64	83	24	335
DIN 71752-16-32-M16F	GN 751-16-32-M16F-KL	16	32	M16F=M16x1.5	32	16	26	64	83	24	335
DIN 71752-16-32-M16F	GN 751-16-32-M16F-B	16	32	M16F=M16x1.5	32	16	26	64	83	24	340
DIN 71752-16-32-M16F	GN 751-16-32-M16F-SL	16	32	M16F=M16x1.5	32	16	26	64	83	24	335
DIN 71752-16-32-M16L	GN 751-16-32-M16L-KL	16	32	M16L	32	16	26	64	83	24	335
DIN 71752-16-32-M16L	GN 751-16-32-M16L-B	16	32	M16L	32	16	26	64	83	24	340
DIN 71752-16-32-M16L	GN 751-16-32-M16L-SL	16	32	M16L	32	16	26	64	83	24	335
DIN 71752-16-64-M16	GN 751-16-64-M16-KL	16	64	M16	32	16	26	64	115	24	470
DIN 71752-16-64-M16	GN 751-16-64-M16-B	16	64	M16	32	16	26	96	115	24	460
DIN 71752-16-64-M16	GN 751-16-64-M16-SL	16	64	M16	32	16	26	64	115	24	470
DIN 71752-16-64-M16F	GN 751-16-64-M16F-KL	16	64	M16F=M16x1.5	115	96	64	24	32	16	470
DIN 71752-16-64-M16F	GN 751-16-64-M16F-B	16	64	M16F=M16x1.5	32	16	64	96	115	24	460
DIN 71752-16-64-M16F	GN 751-16-64-M16F-SL	16	64	M16F=M16x1.5	115	96	64	24	32	16	470
DIN 71752-16-64-M16L	GN 751-16-64-M16L-A	16	64	M16L	32	16	26	96	115	24	470
DIN 71752-16-64-M16L	GN 751-16-64-M16L-B	16	64	M16L	32	16	26	96	115	24	460
DIN 71752-16-64-M16L	GN 751-16-64-M16L-SL	16	64	M16L	32	16	26	96	115	24	470
DIN 71752-20-40-M20	GN 751-20-40-M20-KL	20	40	M20	40	20	34	80	105	30	800
DIN 71752-20-40-M20L	GN 751-20-40-M20L-KL	20	40	M20L	40	20	34	80	105	30	800



STANDARD MACHINE ELEMENTS WORLDWIDE

X-ON Electronics

Largest Supplier of Electrical and Electronic Components

Click to view similar products for [Mounting Fixings](#) category:

Click to view products by [Elesa & Ganter](#) manufacturer:

Other Similar products are found below :

[5912235-1 REV - 007541](#) [627](#) [M3783-7001](#) [75-69224-5S](#) [7717-8DAP](#) [85047GULPT](#) [85048GBESR](#) [FPK-02-R10](#) [PMS27488-001-01](#) [1-18023-0](#) [H-118-2](#) [DB1](#) [1302030464](#) [1302010957](#) [1302263564](#) [1302340393](#) [1404-0016-78](#) [14540](#) [1561-60](#) [1566](#) [1566](#) [BR16A](#)
[NT20SATT01](#) [201C5058-01-201 REV E](#) [22594-8](#) [KBB-141](#) [89078GBEPR](#) [89078GBESR](#) [915060](#) [SF4011-60101](#) [97-CS-50](#) [1671](#) [1855-54](#)
[T-2085-SP](#) [20800240002](#) [21899-4](#) [2193](#) [2518](#) [25745-1](#) [H-118-1](#) [354467](#) [37184](#) [4658](#) [4665](#) [4731](#) [BRACKET-RA-30](#) [5500083](#)
[HS5659MB35PN](#) [HS5659MB35SN](#)