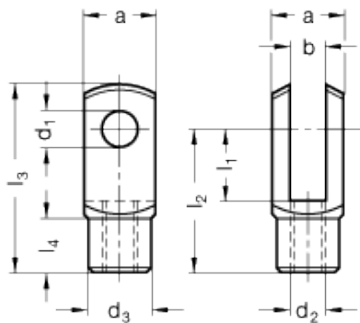


# GN 751 DIN 71752

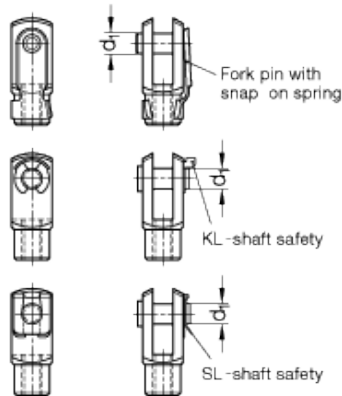
Fork joints  
Fork heads



Fork head DIN 71752



Fork joints GN 751



## technical informations

### Material

Zinc-plated steel, blue passivated.

### Shaft safety

Spring steel, hardened and tempered, zinc-plated, blue passivated.

### Assembly

GN 751 fork joints consist of a DIN 71752 fork head.

Pin hole (d2) with standard thread.

- Type B: fork pin with snap-on spring.
- Type KL: fork pin with KL-shaft safety.
- Type SL: fork pin with SL-shaft safety.


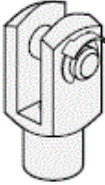
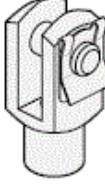
### Other standard versions available

- Version L: pin hole (d2) with left-hand thread.
- Version F: pin hole (d2) with fine thread.

## Features and applications

Fork joints GN 751 in aluminium consist of a fork head according DIN 71752 and a fork pin with KL-shaft safety or SL-shaft safety.

Owing to the anodized coating of the fork head and of the bolt, the bearing is virtually non-wearing.

| Types of fork joint shafts  |   |
|---|---|
| <p>Snap-on spring</p>      | <p>The snap-on spring is easily mounted and dismantled. It is therefore particularly suitable for applications where the articulated connection needs to be loosened often.</p> |
| <p>KL - shaft safety</p>   | <p>The KL-shaft safety ring can be fitted and dismantled without tools, i.e. by hand.</p>   |
| <p>SL - shaft safety</p>  | <p>The SL shaft safety ring requires a tool for dismantling (e.g. a screw driver). It is therefore better secured.</p>  |

| Standard Elements  |                    | Main dimensions       |                |                |    |   |                |                |                |                | Weight |
|--------------------|--------------------|-----------------------|----------------|----------------|----|---|----------------|----------------|----------------|----------------|--------|
| Off pin            | Complete           | d <sub>1 H8/h11</sub> | l <sub>1</sub> | d <sub>2</sub> | a  | b | d <sub>3</sub> | l <sub>2</sub> | l <sub>3</sub> | l <sub>4</sub> |        |
| Description        | Description        |                       |                |                |    |   |                |                |                |                |        |
| DIN 71752-4-8-M4   | GN 751-4-8-M4-KL   | 4                     | 8              | M4             | 8  | 4 | 8              | 16             | 21             | 6              | 5      |
| DIN 71752-4-8-M4-* | GN 751-4-8-M4-SL-* | 4                     | 8              | M4             | 8  | 4 | 8              | 16             | 21             | 6              | 5      |
| DIN 71752-4-16-M4  | GN 751-4-16-M4-KL  | 4                     | 16             | M4             | 8  | 4 | 8              | 16             | 24             | 6              | 6      |
| DIN 71752-4-16-M4  | GN 751-4-16-M4-SL  | 4                     | 16             | M4             | 8  | 4 | 8              | 16             | 24             | 6              | 6      |
| DIN 71752-5-10-M5  | GN 751-5-10-M5-KL  | 5                     | 10             | M5             | 10 | 5 | 9              | 20             | 26             | 7.5            | 9      |
| DIN 71752-5-10-M5  | GN 751-5-10-M5-B   | 5                     | 10             | M5             | 10 | 5 | 9              | 20             | 26             | 7.5            | 10     |
| DIN 71752-5-10-M5  | GN 751-5-10-M5-SL  | 5                     | 10             | M5             | 10 | 5 | 9              | 20             | 26             | 7.5            | 9      |
| DIN 71752-5-10-M5L | GN 751-5-10-M5L-KL | 5                     | 10             | M5L            | 10 | 5 | 9              | 20             | 26             | 7.5            | 10     |
| DIN 71752-5-10-M5L | GN 751-5-10-M5L-B  | 5                     | 10             | M5L            | 10 | 5 | 9              | 20             | 26             | 7.5            | 10     |
| DIN 71752-5-10-M5L | GN 751-5-10-M5L-SL | 5                     | 10             | M5L            | 10 | 5 | 9              | 20             | 26             | 7.5            | 10     |
| DIN 71752-5-20-M5  | GN 751-5-20-M5-KL  | 5                     | 20             | M5             | 10 | 5 | 9              | 30             | 36             | 7.5            | 19     |
| DIN 71752-5-20-M5  | GN 751-5-20-M5-B   | 5                     | 20             | M5             | 10 | 5 | 9              | 30             | 36             | 7.5            | 15     |
| DIN 71752-5-20-M5  | GN 751-5-20-M5-SL  | 5                     | 20             | M5             | 10 | 5 | 9              | 30             | 36             | 7.5            | 19     |
| DIN 71752-5-20-M5L | GN 751-5-20-M5L-KL | 5                     | 20             | M5L            | 10 | 5 | 9              | 30             | 36             | 7.5            | 19     |
| DIN 71752-5-20-M5L | GN 751-5-20-M5L-B  | 5                     | 20             | M5L            | 10 | 5 | 9              | 30             | 36             | 7.5            | 15     |
| DIN 71752-5-20-M5L | GN 751-5-20-M5L-SL | 5                     | 20             | M5L            | 10 | 5 | 9              | 30             | 36             | 7.5            | 19     |
| DIN 71752-6-12-M6  | GN 751-6-12-M6-KL  | 6                     | 12             | M6             | 12 | 6 | 10             | 24             | 31             | 9              | 20     |
| DIN 71752-6-12-M6  | GN 751-6-12-M6-B   | 6                     | 12             | M6             | 12 | 6 | 10             | 24             | 31             | 9              | 20     |
| DIN 71752-6-12-M6  | GN 751-6-12-M6-SL  | 6                     | 12             | M6             | 12 | 6 | 10             | 24             | 31             | 9              | 20     |
| DIN 71752-6-12-M6L | GN 751-6-12-M6L-KL | 6                     | 12             | M6L            | 12 | 6 | 10             | 24             | 31             | 9              | 20     |
| DIN 71752-6-12-M6L | GN 751-6-12-M6L-B  | 6                     | 12             | M6L            | 12 | 6 | 10             | 24             | 31             | 9              | 20     |
| DIN 71752-6-12-M6L | GN 751-6-12-M6L-SL | 6                     | 12             | M6L            | 12 | 6 | 10             | 24             | 31             | 9              | 20     |
| DIN 71752-6-24-M6  | GN 751-6-24-M6-KL  | 6                     | 24             | M6             | 12 | 6 | 10             | 36             | 43             | 9              | 20     |
| DIN 71752-6-24-M6  | GN 751-6-24-M6-B   | 6                     | 24             | M6             | 12 | 6 | 10             | 36             | 43             | 9              | 25     |
| DIN 71752-6-24-M6  | GN 751-6-24-M6-SL  | 6                     | 24             | M6             | 12 | 6 | 10             | 36             | 43             | 9              | 20     |
| DIN 71752-6-24-M6L | GN 751-6-24-M6L-KL | 6                     | 24             | M6L            | 12 | 6 | 10             | 36             | 43             | 9              | 20     |
| DIN 71752-6-24-M6L | GN 751-6-24-M6L-B  | 6                     | 24             | M6L            | 12 | 6 | 10             | 36             | 43             | 9              | 25     |
| DIN 71752-6-24-M6L | GN 751-6-24-M6L-SL | 6                     | 24             | M6L            | 12 | 6 | 10             | 36             | 43             | 9              | 20     |
| DIN 71752-8-16-M8  | GN 751-8-16-M8-KL  | 8                     | 16             | M8             | 16 | 8 | 14             | 32             | 42             | 12             | 45     |
| DIN 71752-8-16-M8  | GN 751-8-16-M8-B   | 8                     | 16             | M8             | 16 | 8 | 14             | 32             | 42             | 12             | 50     |
| DIN 71752-8-16-M8  | GN 751-8-16-M8-SL  | 8                     | 16             | M8             | 16 | 8 | 14             | 32             | 42             | 12             | 45     |
| DIN 71752-8-16-M8F | GN 751-8-16-M8F-KL | 8                     | 16             | M8F=M8x1       | 16 | 8 | 14             | 32             | 42             | 12             | 45     |
| DIN 71752-8-16-M8F | GN 751-8-16-M8F-B  | 8                     | 16             | M8F=M8x1       | 16 | 8 | 14             | 32             | 42             | 12             | 50     |
| DIN 71752-8-16-M8F | GN 751-8-16-M8F-SL | 8                     | 16             | M8F=M8x1       | 16 | 8 | 14             | 32             | 42             | 12             | 45     |
| DIN 71752-8-16-M8L | GN 751-8-16-M8L-KL | 8                     | 16             | M8L            | 16 | 8 | 14             | 32             | 42             | 12             | 45     |
| DIN 71752-8-16-M8L | GN 751-8-16-M8L-B  | 8                     | 16             | M8L            | 16 | 8 | 14             | 32             | 42             | 12             | 50     |
| DIN 71752-8-16-M8L | GN 751-8-16-M8L-SL | 8                     | 16             | M8L            | 16 | 8 | 14             | 32             | 42             | 12             | 45     |
| DIN 71752-8-32-M8  | GN 751-8-32-M8-KL  | 8                     | 32             | M8             | 16 | 8 | 14             | 48             | 58             | 12             | 60     |
| DIN 71752-8-32-M8  | GN 751-8-32-M8-B   | 8                     | 32             | M8             | 16 | 8 | 14             | 48             | 58             | 12             | 65     |
| DIN 71752-8-32-M8  | DIN 751-8-32-M8-SL | 8                     | 32             | M8             | 16 | 8 | 14             | 48             | 58             | 12             | 60     |
| DIN 71752-8-32-M8F | GN 751-8-32-M8F-KL | 8                     | 32             | M8F=M8x1       | 16 | 8 | 14             | 48             | 58             | 12             | 60     |

|                      |                      |    |    |               |    |    |    |    |    |      |     |
|----------------------|----------------------|----|----|---------------|----|----|----|----|----|------|-----|
| DIN 71752-8-32-M8F   | GN 751-8-32-M8F-B    | 8  | 32 | M8F=M8x1      | 16 | 8  | 14 | 48 | 58 | 12   | 65  |
| DIN 71752-8-32-M8F   | GN 751-8-32-M8F-SL   | 8  | 32 | M8F=M8x1      | 16 | 8  | 14 | 48 | 58 | 12   | 60  |
| DIN 71752-8-32-M8L   | GN 751-8-32-M8L-KL   | 8  | 32 | M8L           | 16 | 8  | 14 | 48 | 58 | 12   | 65  |
| DIN 71752-8-32-M8L   | GN 751-8-32-M8L-B    | 8  | 32 | M8L           | 16 | 8  | 14 | 48 | 58 | 12   | 65  |
| DIN 71752-8-32-M8L   | GN 751-8-32-M8L-SL   | 8  | 32 | M8L           | 16 | 8  | 14 | 48 | 58 | 12   | 65  |
| DIN 71752-10-20-M10  | GN 751-10-20-M10-KL  | 10 | 20 | M10           | 20 | 10 | 18 | 40 | 52 | 15   | 90  |
| DIN 71752-10-20-M10  | GN 751-10-20-M10-B   | 10 | 20 | M10           | 20 | 10 | 18 | 40 | 52 | 15   | 90  |
| DIN 71752-10-20-M10  | GN 751-10-20-M10-SL  | 10 | 20 | M10           | 20 | 10 | 18 | 40 | 52 | 15   | 90  |
| DIN 71752-10-20-M10F | GN 751-10-20-M10F-KL | 10 | 20 | M10F=M10x1.25 | 20 | 10 | 18 | 40 | 60 | 15   | 90  |
| DIN 71752-10-20-M10F | GN 751-10-20-M10F-B  | 10 | 20 | M10F=M10x1.25 | 20 | 10 | 18 | 40 | 52 | 15   | 90  |
| DIN 71752-10-20-M10F | GN 751-10-20-M10F-SL | 10 | 20 | M10F=M10x1.25 | 20 | 10 | 18 | 40 | 52 | 15   | 90  |
| DIN 71752-10-20-M10L | GN 751-10-20-M10L-KL | 10 | 20 | M10L          | 20 | 10 | 18 | 40 | 52 | 15   | 90  |
| DIN 71752-10-20-M10L | GN 751-10-20-M10L-B  | 10 | 20 | M10L          | 20 | 10 | 18 | 40 | 52 | 15   | 90  |
| DIN 71752-10-20-M10L | GN 751-10-20-M10L-SL | 10 | 20 | M10L          | 20 | 10 | 18 | 40 | 52 | 15   | 90  |
| DIN 71752-10-40-M10  | GN 751-10-40-M10-KL  | 10 | 40 | M10           | 20 | 10 | 18 | 60 | 72 | 15   | 120 |
| DIN 71752-10-40-M10  | GN 751-10-40-M10-B   | 10 | 40 | M10           | 20 | 10 | 18 | 60 | 72 | 15   | 120 |
| DIN 71752-10-40-M10  | GN 751-10-40-M10-SL  | 10 | 40 | M10           | 20 | 10 | 18 | 60 | 72 | 15   | 120 |
| DIN 71752-10-40-M10F | GN 751-10-40-M10F-KL | 10 | 40 | M10F=M10x1.25 | 20 | 10 | 18 | 60 | 72 | 15   | 120 |
| DIN 71752-10-40-M10F | GN 751-10-40-M10F-B  | 10 | 40 | M10F=M10x1.25 | 20 | 10 | 18 | 60 | 72 | 15   | 120 |
| DIN 71752-10-40-M10F | GN 751-10-40-M10F-SL | 10 | 20 | M10F=M10x1.25 | 20 | 10 | 18 | 40 | 60 | 15   | 90  |
| DIN 71752-10-40-M10L | GN 751-10-40-M10L-KL | 10 | 40 | M10L          | 20 | 10 | 18 | 60 | 72 | 15   | 120 |
| DIN 71752-10-40-M10L | GN 751-10-40-M10L-B  | 10 | 40 | M10L          | 20 | 10 | 18 | 60 | 72 | 15   | 120 |
| DIN 71752-10-40-M10L | GN 751-10-40-M10L-SL | 10 | 40 | M10L          | 20 | 10 | 18 | 60 | 72 | 15   | 120 |
| DIN 71752-12-24-M12  | GN 751-12-24-M12-KL  | 12 | 24 | M12           | 24 | 12 | 20 | 48 | 62 | 18   | 144 |
| DIN 71752-12-24-M12  | GN 751-12-24-M12-B   | 12 | 24 | M12           | 24 | 12 | 20 | 48 | 62 | 18   | 150 |
| DIN 71752-12-24-M12  | GN 751-12-24-M12-SL  | 12 | 24 | M12           | 24 | 12 | 20 | 48 | 62 | 18   | 144 |
| DIN 71752-12-24-M12F | GN 751-12-24-M12F-KL | 12 | 24 | M12F=M12x1.25 | 24 | 12 | 20 | 48 | 62 | 18   | 144 |
| DIN 71752-12-24-M12F | GN 751-12-24-M12F-B  | 12 | 24 | M12F=M12x1.25 | 24 | 12 | 20 | 48 | 62 | 18   | 150 |
| DIN 71752-12-24-M12F | GN 751-12-24-M12F-SL | 12 | 24 | M12F=M12x1.25 | 24 | 12 | 20 | 48 | 62 | 18   | 144 |
| DIN 71752-12-24-M12L | GN 751-12-24-M12L-KL | 12 | 24 | M12L          | 24 | 12 | 20 | 48 | 62 | 18   | 144 |
| DIN 71752-12-24-M12L | GN 751-12-24-M12L-B  | 12 | 24 | M12L          | 24 | 12 | 20 | 48 | 62 | 18   | 150 |
| DIN 71752-12-24-M12L | GN 751-12-24-M12L-SL | 12 | 24 | M12L          | 24 | 12 | 20 | 48 | 62 | 18   | 144 |
| DIN 71752-12-48-M12  | GN 751-12-48-M12-KL  | 12 | 48 | M12           | 24 | 12 | 20 | 72 | 86 | 18   | 192 |
| DIN 71752-12-48-M12  | GN 751-12-48-M12-B   | 12 | 48 | M12           | 24 | 12 | 20 | 72 | 86 | 18   | 200 |
| DIN 71752-12-48-M12  | GN 751-12-48-M12-SL  | 12 | 48 | M12           | 24 | 12 | 20 | 72 | 86 | 18   | 192 |
| DIN 71752-12-48-M12F | GN 751-12-48-M12F-KL | 12 | 48 | M12F=M12x1.25 | 24 | 12 | 20 | 72 | 86 | 18   | 192 |
| DIN 71752-12-48-M12F | GN 751-12-48-M12F-B  | 12 | 48 | M12F=M12x1.25 | 24 | 12 | 20 | 72 | 86 | 18   | 200 |
| DIN 71752-12-48-M12F | GN 751-12-48-M12F-SL | 12 | 48 | M12F=M12x1.25 | 24 | 12 | 20 | 72 | 86 | 18   | 192 |
| DIN 71752-12-48-M12L | GN 751-12-48-M12L-KL | 12 | 48 | M12L          | 24 | 12 | 20 | 72 | 86 | 18   | 192 |
| DIN 71752-12-48-M12L | GN 751-12-48-M12L-B  | 12 | 48 | M12L          | 24 | 12 | 20 | 72 | 86 | 18   | 200 |
| DIN 71752-14-28-M14  | GN 751-14-28-M14-SL  | 12 | 48 | M12L          | 24 | 12 | 20 | 72 | 86 | 18   | 192 |
| DIN 71752-14-28-M14  | GN 751-14-28-M14-KL  | 14 | 28 | M14           | 27 | 14 | 24 | 56 | 72 | 22.5 | 220 |
| DIN 71752-14-28-M14  | GN 751-14-28-M14-B   | 14 | 28 | M14           | 27 | 14 | 24 | 56 | 72 | 22.5 | 218 |
| DIN 71752-14-28-M14  | GN 751-14-28-M14-SL  | 14 | 28 | M14           | 27 | 14 | 24 | 56 | 72 | 22.5 | 220 |
| DIN 71752-14-28-M14F | GN 751-14-28-M14F-KL | 14 | 28 | M14F=M14x1.5  | 27 | 14 | 24 | 56 | 72 | 22.5 | 220 |

|                      |                      |    |    |              |     |    |    |    |     |      |     |
|----------------------|----------------------|----|----|--------------|-----|----|----|----|-----|------|-----|
| DIN 71752-14-28-M14F | GN 751-14-28-M14F-B  | 14 | 28 | M14F=M14x1.5 | 27  | 14 | 24 | 56 | 72  | 22.5 | 218 |
| DIN 71752-14-28-M14F | GN 751-14-28-M14F-SL | 14 | 28 | M14F=M14x1.5 | 27  | 14 | 24 | 56 | 72  | 22.5 | 220 |
| DIN 71752-14-28-M14L | GN 751-14-28-M14L-KL | 14 | 28 | M14L         | 27  | 14 | 24 | 56 | 72  | 22.5 | 220 |
| DIN 71752-14-28-M14L | GN 751-14-28-M14L-B  | 14 | 28 | M14L         | 27  | 14 | 24 | 65 | 72  | 22.5 | 218 |
| DIN 71752-14-28-M14L | GN 751-14-28-M14L-SL | 14 | 28 | M14L         | 27  | 14 | 24 | 56 | 72  | 22.5 | 220 |
| DIN 71752-14-56-M14  | GN 751-14-56-M14-KL  | 14 | 56 | M14          | 27  | 14 | 24 | 85 | 101 | 22.5 | 290 |
| DIN 71752-14-56-M14  | GN 751-14-56-M14-B   | 14 | 56 | M14          | 27  | 14 | 24 | 85 | 101 | 22.5 | 300 |
| DIN 71752-14-56-M14  | GN 751-14-56-M14-SL  | 14 | 56 | M14          | 27  | 14 | 24 | 85 | 101 | 22.5 | 290 |
| DIN 71752-14-56-M14F | GN 751-14-56-M14F-KL | 14 | 58 | M14F=M14x1.5 | 27  | 14 | 24 | 85 | 101 | 22.5 | 290 |
| DIN 71752-14-56-M14F | GN 751-14-56-M14F-B  | 14 | 56 | M14F=M14x1.5 | 27  | 14 | 24 | 85 | 101 | 22.5 | 300 |
| DIN 71752-14-56-M14F | GN 751-14-56-M14F-SL | 14 | 58 | M14F=M14x1.5 | 27  | 14 | 24 | 85 | 101 | 22.5 | 290 |
| DIN 71752-14-56-M14L | GN 751-14-56-M14L-KL | 14 | 56 | M14L         | 27  | 14 | 24 | 85 | 101 | 22.5 | 290 |
| DIN 71752-14-56-M14L | GN 751-14-56-M14L-B  | 14 | 56 | M14L         | 27  | 14 | 24 | 85 | 101 | 22.5 | 300 |
| DIN 71752-14-56-M14L | GN 751-14-56-M14L-SL | 14 | 56 | M14L         | 27  | 14 | 24 | 85 | 101 | 22.5 | 290 |
| DIN 71752-16-32-M16  | GN 751-16-32-M16-KL  | 16 | 32 | M16          | 32  | 16 | 26 | 64 | 83  | 24   | 335 |
| DIN 71752-16-32-M16  | GN 751-16-32-M16-B   | 16 | 32 | M16          | 32  | 16 | 26 | 64 | 83  | 24   | 340 |
| DIN 71752-16-32-M16  | GN 751-16-32-M16-SL  | 16 | 32 | M16          | 32  | 16 | 26 | 64 | 83  | 24   | 335 |
| DIN 71752-16-32-M16F | GN 751-16-32-M16F-KL | 16 | 32 | M16F=M16x1.5 | 32  | 16 | 26 | 64 | 83  | 24   | 335 |
| DIN 71752-16-32-M16F | GN 751-16-32-M16F-B  | 16 | 32 | M16F=M16x1.5 | 32  | 16 | 26 | 64 | 83  | 24   | 340 |
| DIN 71752-16-32-M16F | GN 751-16-32-M16F-SL | 16 | 32 | M16F=M16x1.5 | 32  | 16 | 26 | 64 | 83  | 24   | 335 |
| DIN 71752-16-32-M16L | GN 751-16-32-M16L-KL | 16 | 32 | M16L         | 32  | 16 | 26 | 64 | 83  | 24   | 335 |
| DIN 71752-16-32-M16L | GN 751-16-32-M16L-B  | 16 | 32 | M16L         | 32  | 16 | 26 | 64 | 83  | 24   | 340 |
| DIN 71752-16-32-M16L | GN 751-16-32-M16L-SL | 16 | 32 | M16L         | 32  | 16 | 26 | 64 | 83  | 24   | 335 |
| DIN 71752-16-64-M16  | GN 751-16-64-M16-KL  | 16 | 64 | M16          | 32  | 16 | 26 | 64 | 115 | 24   | 470 |
| DIN 71752-16-64-M16  | GN 751-16-64-M16-B   | 16 | 64 | M16          | 32  | 16 | 26 | 96 | 115 | 24   | 460 |
| DIN 71752-16-64-M16  | GN 751-16-64-M16-SL  | 16 | 64 | M16          | 32  | 16 | 26 | 64 | 115 | 24   | 470 |
| DIN 71752-16-64-M16F | GN 751-16-64-M16F-KL | 16 | 64 | M16F=M16x1.5 | 115 | 96 | 64 | 24 | 32  | 16   | 470 |
| DIN 71752-16-64-M16F | GN 751-16-64-M16F-B  | 16 | 64 | M16F=M16x1.5 | 32  | 16 | 64 | 96 | 115 | 24   | 460 |
| DIN 71752-16-64-M16F | GN 751-16-64-M16F-SL | 16 | 64 | M16F=M16x1.5 | 115 | 96 | 64 | 24 | 32  | 16   | 470 |
| DIN 71752-16-64-M16L | GN 751-16-64-M16L-A  | 16 | 64 | M16L         | 32  | 16 | 26 | 96 | 115 | 24   | 470 |
| DIN 71752-16-64-M16L | GN 751-16-64-M16L-B  | 16 | 64 | M16L         | 32  | 16 | 26 | 96 | 115 | 24   | 460 |
| DIN 71752-16-64-M16L | GN 751-16-64-M16L-SL | 16 | 64 | M16L         | 32  | 16 | 26 | 96 | 115 | 24   | 470 |
| DIN 71752-20-40-M20  | GN 751-20-40-M20-KL  | 20 | 40 | M20          | 40  | 20 | 34 | 80 | 105 | 30   | 800 |
| DIN 71752-20-40-M20L | GN 751-20-40-M20L-KL | 20 | 40 | M20L         | 40  | 20 | 34 | 80 | 105 | 30   | 800 |



STANDARD MACHINE ELEMENTS WORLDWIDE

## X-ON Electronics

Largest Supplier of Electrical and Electronic Components

*Click to view similar products for [Mounting Fixings](#) category:*

*Click to view products by [Elesa & Ganter](#) manufacturer:*

Other Similar products are found below :

[5912235-1 REV](#) - [71-215091-8S](#) [75-69211-3P](#) [75-69214-6P](#) [75-69220-27S](#) [7717-8DAP](#) [85048GBESR](#) [PMS27488-001-01](#) [1-18023-0](#) [H-118-2](#) [1301790551](#) [BR16A](#) [NT20SATT01](#) [22594-8](#) [89078GBEPR](#) [89078GBESR](#) [9150700000](#) [SF4011-60101](#) [1671](#) [1855-54](#) [1996901-1](#) [2079844-1](#) [2193](#) [2518](#) [H-118-1](#) [BACC47CN2S](#) [LF9Z-1SB22](#) [WMLX-109](#) [364202K01V167](#) [ELXA051G1](#) [2547](#) [1453315-11](#) [71-452350-8S](#) [71-572965-8S](#) [75-69214-7J](#) [75-69811-3S](#) [H373247-15](#) [81517301](#) [P954-1](#) [860099-1](#) [1189-90](#) [1106352-2](#) [5D0515-20S REV A](#) [M39014/01-1570](#) [30809-700](#) [6024](#) [734032001](#) [197-007](#) [BRKT-ND](#) [197-003](#)