

Toggle clamp spindle assemblies

Steel / Stainless Steel, with / without protective cap

SPECIFICATION

Types

- Type **A**: without protective cap
- Type **B**: with protective cap

Version in Steel

Hexagon head screw ISO 4017 / DIN 933
Tensile strength class 8.8
zinc plated, blue passivated

Hexagon nuts ISO 4032
zinc plated, blue passivated

Version in Stainless Steel

Stainless Steel AISI 304 **NI**

- Hexagon head screw ISO 4017 / DIN 933
- Hexagon nuts ISO 4032

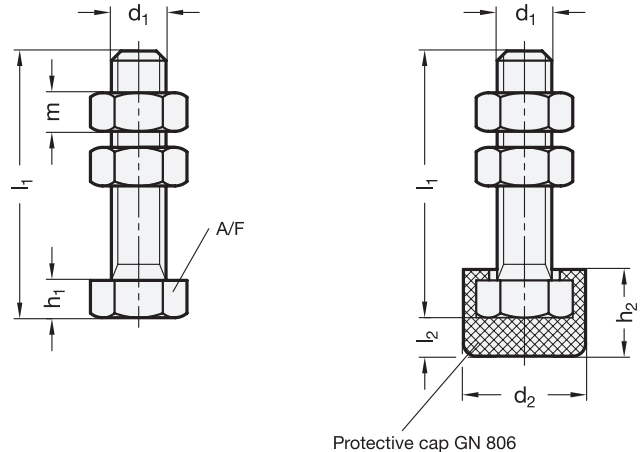


INFORMATION

The two hexagon nuts are included parts of the order.

TECHNICAL INFORMATION

- Protective caps GN 806 (see page 923)
- Stainless Steel characteristics (see page A26)
- Strength values of screws (see page A20)



* Complete with type index of the toggle clamp spindle assemblies

- | | |
|------------------------|---------------------|
| A | B |
| without protective cap | with protective cap |

GN 807

| Description | d1 | l1 | d2 | h1 | h2 | l2 | m | A/F | ⚖️ |
|------------------|--------|-----|------|-----|-----|-----|------|-----|-----|
| GN 807-M4-23-* | M 4 | 23 | 11 | 3 | 6.5 | 2.5 | 3.2 | 7 | 5 |
| GN 807-M5-38-* | M 5 | 38 | 12.5 | 3.5 | 8 | 2.5 | 4.7 | 8 | 9 |
| GN 807-M6-29-* | M 6 | 29 | 15 | 4 | 10 | 4 | 5.2 | 10 | 11 |
| GN 807-M6-49-* | M 6 | 49 | 15 | 4 | 10 | 4 | 5.2 | 10 | 16 |
| GN 807-M8-36-* | M 8 | 36 | 19 | 5.5 | 13 | 5.5 | 6.8 | 13 | 24 |
| GN 807-M8-56-* | M 8 | 56 | 19 | 5.5 | 13 | 5.5 | 6.8 | 13 | 26 |
| GN 807-M8-96-* | M 8 | 96 | 19 | 5.5 | 13 | 5.5 | 6.8 | 13 | 43 |
| GN 807-M10-43-* | M 10 | 43 | 24 | 6.5 | 16 | 7 | 8.4 | 16 | 47 |
| GN 807-M10-77-* | M 10 | 77 | 24 | 6.5 | 16 | 7 | 8.4 | 16 | 65 |
| GN 807-M10-127-* | M 10 | 127 | 24 | 6.5 | 16 | 7 | 8.4 | 16 | 92 |
| GN 807-M12-53-* | M 12 | 53 | 26 | 7.5 | 19 | 8.5 | 10.8 | 18 | 75 |
| GN 807-M12-88-* | M 12 | 88 | 26 | 7.5 | 19 | 8.5 | 10.8 | 18 | 106 |
| GN 807-M12-128-* | M 12 | 128 | 26 | 7.5 | 19 | 8.5 | 10.8 | 18 | 139 |
| GN 807-M14-54-* | M 14** | 54 | - | 9 | - | - | 12.8 | 21 | 109 |

GN 807-NI

STAINLESS STEEL

| Description | d1 | l1 | d2 | h1 | h2 | l2 | m | A/F | ⚖️ |
|-------------------|-----|----|------|-----|-----|-----|-----|-----|----|
| GN 807-M4-23-*-NI | M 4 | 23 | 11 | 3 | 6.5 | 2.5 | 3.2 | 7 | 4 |
| GN 807-M5-38-*-NI | M 5 | 38 | 12.5 | 3.5 | 8 | 2.5 | 4.7 | 8 | 8 |
| GN 807-M6-29-*-NI | M 6 | 29 | 15 | 4 | 10 | 4 | 5.2 | 10 | 11 |
| GN 807-M6-49-*-NI | M 6 | 49 | 15 | 4 | 10 | 4 | 5.2 | 10 | 17 |
| GN 807-M8-36-*-NI | M 8 | 36 | 19 | 5.5 | 13 | 5.5 | 6.8 | 13 | 24 |
| GN 807-M8-56-*-NI | M 8 | 56 | 19 | 5.5 | 13 | 5.5 | 6.8 | 13 | 30 |
| GN 807-M8-96-*-NI | M 8 | 96 | 19 | 5.5 | 13 | 5.5 | 6.8 | 13 | 43 |

** Toggle clamp spindle assemblies M14 are not available as type B (with protective cap) | Weight type A

X-ON Electronics

Largest Supplier of Electrical and Electronic Components

Click to view similar products for [Other Tools](#) category:

Click to view products by [Elesa & Ganter](#) manufacturer:

Other Similar products are found below :

[CR-05FL7--150R](#) [CR-05FL7--698K](#) [899-2-KT46](#) [899-5-KT46](#) [CR-0AFL4--332K](#) [CR-12FP4--260R](#) [CRCW04021100FRT7](#)
[CRCW04021961FRT7](#) [5800-0090](#) [CRCW04024021FRT7](#) [CRCW040254R9FRT7](#) [CRCW0603102JRT5](#) [59065-5](#) [00-8273-RDPP](#) [00-8729-](#)
[WHPP](#) [593033](#) [593058](#) [593072](#) [593564100](#) [593575](#) [593591](#) [593593](#) [011349-000](#) [LTLA506SBLAMNBL](#) [CRCW08052740FRT1](#) [LUC-](#)
[012S070DSM](#) [LUC-018S070DSP](#) [599-2021-3-NME](#) [599-JJ-2021-03](#) [00-5080-YWPP](#) [5E4750/01-20R0-T/R](#) [LW1A-L1-GL](#) [LW1A-P1-GD](#)
[LW1L-A1C10V-GL](#) [LW1L-M1C70-A](#) [0202-0173](#) [00-9089-RDPP](#) [00-9300-RDPP](#) [CRCW2010331JR02](#) [01-1003W-8/32-10](#) [601-GP-08-](#)
[KT39](#) [601-JJ-06](#) [601-SPB](#) [601YSY](#) [602-JJ-03](#) [602SPB](#) [602Z](#) [603-JJ-07-FP](#) [603-JJY-04](#) [604J](#)