

- 1
- 2
- 3
- 4
- 5
- 6
- 7
- 8
- 9
- 10
- 11
- 12
- 13
- 14
- 15
- 16
- 17
- 18

**THREADED BODY**

Black-oxide steel (ST index).  
AISI 303 stainless steel (NI index).

**PLUNGER**

AISI 303 stainless steel.  
Suggested tolerance for matching hole = H7.

**SPRING**

AISI 301 stainless steel.

**SCREW**

AISI 304 stainless steel.

**KNOB**

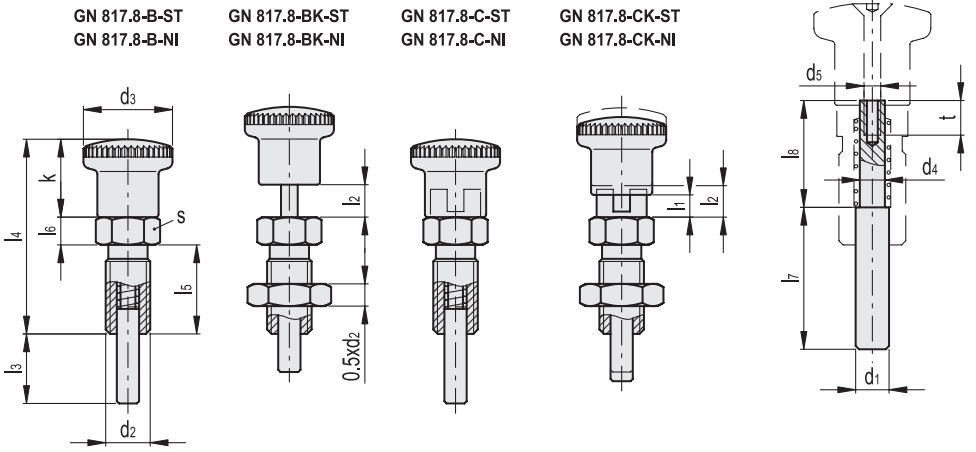
High-resilience polyamide based (PA) technopolymer, black colour, matte finish.

**STANDARD EXECUTIONS**

- GN 817.8-B: with knob, without locking nut.
  - GN 817.8-BK: with knob and locking nut.
  - GN 817.8-C: with knob and rest position, without locking nut.
  - GN 817.8-CK: with knob, rest position and locking nut.
- Index for material of the threaded body and the locking nut:
- ST: black-oxide steel.
  - NI: AISI 303 stainless steel.

**FEATURES AND APPLICATIONS**

GN 817.8 indexing plungers have been designed to allow customisation of the plunger economically and in small quantities.  
In order to be able to perform the machining operations on the plunger, all components are supplied in unassembled sets.



**Conversion Table**  
1 mm = 0.039 inch

d1	mm	inch
	7	0.27
	8	0.31
	10	0.39
	12	0.47

**GN 817.8-B-ST**

Code	Description	d1																[N]*	[N]#	Δ
		Plunger -0.02-0.04 Hole H7	d2	d3	d4	d5	k	l2	l3	l4	l5	l6	l7	l8	sw	t				
GN.36346	GN 817.8-7-6-B-ST	7	M12x1.5	23	5	M3	20	8	20	48	22	6	31	17.5	14	7	6.5	19	33	
GN.36356	GN 817.8-7-9-B-ST	7	M12x1.5	23	5	M3	20	11	20	48	22	6	27.5	21	14	7	6	25	53	
GN.36366	GN 817.8-8-8-B-ST	8	M16x1.5	28	6	M4	24	10	25	58	26	8	39	20.5	17	8	8.5	26	75	
GN.36376	GN 817.8-8-12-B-ST	8	M16x1.5	28	6	M4	24	14	25	58	26	8	34	25.5	17	8	8.5	28	109	
GN.36386	GN 817.8-10-12-B-ST	10	M16x1.5	28	7.5	M4	24	14	30	58	26	8	39	25.5	17	8	9.5	38	130	
GN.36396	GN 817.8-12-15-B-ST	12	M20x1.5	33	9	M6	28.5	17	35	71.5	33	10	47.5	31.5	22	13.5	11.5	40	147	

\* Spring preload  
# Spring maximum load

## GN 817.8-BK-ST

METRIC

Code	Description	d1																[N]*	[N]#	△
		Plunger -0.02-0.04 Hole H7	d2	d3	d4	d5	k	l1	l2	l3	l4	l5	l6	l7	l8	sw	t			
GN.36348	GN 817.8-7-6-BK-ST	7	M12x1.5	23	5	M3	20	8	20	48	22	6	31	17.5	14	7	6.5	19	41	
GN.36358	GN 817.8-7-9-BK-ST	7	M12x1.5	23	5	M3	20	11	20	48	22	6	27.5	21	14	7	6	25	61	
GN.36368	GN 817.8-8-8-BK-ST	8	M16x1.5	28	6	M4	24	10	25	58	26	8	39	20.5	17	8	8.5	26	95	
GN.36378	GN 817.8-8-12-BK-ST	8	M16x1.5	28	6	M4	24	14	25	58	26	8	34	25.5	17	8	8.5	28	115	
GN.36388	GN 817.8-10-12-BK-ST	10	M16x1.5	28	7.5	M4	24	14	30	58	26	8	39	25.5	17	8	9.5	38	150	
GN.36398	GN 817.8-12-15-BK-ST	12	M20x1.5	33	9	M6	28.5	17	35	71.5	33	10	47.5	31.5	22	13.5	11.5	40	177	

## GN 817.8-B-NI

INOX STAINLESS STEEL

METRIC

Code	Description	d1																[N]*	[N]#	△
		Plunger -0.02-0.04 Hole H7	d2	d3	d4	d5	k	l1	l2	l3	l4	l5	l6	l7	l8	sw	t			
GN.36341	GN 817.8-7-6-B-NI	7	M12x1.5	23	5	M3	20	8	20	48	22	6	31	17.5	14	7	6.5	19	35	
GN.36351	GN 817.8-7-9-B-NI	7	M12x1.5	23	5	M3	20	11	20	48	22	6	27.5	21	14	7	6	25	55	
GN.36361	GN 817.8-8-8-B-NI	8	M16x1.5	28	6	M4	24	10	25	58	26	8	39	20.5	17	8	8.5	26	75	
GN.36371	GN 817.8-8-12-B-NI	8	M16x1.5	28	6	M4	24	14	25	58	26	8	34	25.5	17	8	8.5	28	111	
GN.36381	GN 817.8-10-12-B-NI	10	M16x1.5	28	7.5	M4	24	14	30	58	26	8	39	25.5	17	8	9.5	38	132	
GN.36391	GN 817.8-12-15-B-NI	12	M20x1.5	33	9	M6	28.5	17	35	71.5	33	10	47.5	31.5	22	13.5	11.5	40	150	

## GN 817.8-BK-NI

Code	Description	d1																[N]*	[N]#	△
		Plunger -0.02-0.04 Hole H7	d2	d3	d4	d5	k	l1	l2	l3	l4	l5	l6	l7	l8	sw	t			
GN.36343	GN 817.8-7-6-BK-NI	7	M12x1.5	23	5	M3	20	8	20	48	22	6	31	17.5	14	7	6.5	19	43	
GN.36353	GN 817.8-7-9-BK-NI	7	M12x1.5	23	5	M3	20	11	20	48	22	6	27.5	21	14	7	6	25	62	
GN.36363	GN 817.8-8-8-BK-NI	8	M16x1.5	28	6	M4	24	10	25	58	26	8	39	20.5	17	8	8.5	26	97	
GN.36373	GN 817.8-8-12-BK-NI	8	M16x1.5	28	6	M4	24	14	25	58	26	8	34	25.5	17	8	8.5	28	117	
GN.36383	GN 817.8-10-12-BK-NI	10	M16x1.5	28	7.5	M4	24	14	30	58	26	8	39	25.5	17	8	9.5	38	152	
GN.36393	GN 817.8-12-15-BK-NI	12	M20x1.5	33	9	M6	28.5	17	35	71.5	33	10	47.5	31.5	22	13.5	11.5	40	179	

## GN 817.8-C-ST

METRIC

Code	Description	d1																[N]*	[N]#	△
		Plunger -0.02-0.04 Hole H7	d2	d3	d4	d5	k	l1	l2	l3	l4	l5	l6	l7	l8	sw	t			
GN.36347	GN 817.8-7-6-C-ST	7	M12x1.5	23	5	M3	20	6	8	20	48	22	6	31	17.5	14	7	6.5	19	35
GN.36357	GN 817.8-7-9-C-ST	7	M12x1.5	23	5	M3	20	9	11	20	48	22	6	27.5	21	14	7	6	25	65
GN.36367	GN 817.8-8-8-C-ST	8	M16x1.5	28	6	M4	24	8	10	25	58	26	8	39	20.5	17	8	8.5	26	100
GN.36377	GN 817.8-8-12-C-ST	8	M16x1.5	28	6	M4	24	12	14	25	58	26	8	34	25.5	17	8	8.5	28	129
GN.36387	GN 817.8-10-12-C-ST	10	M16x1.5	28	7.5	M4	24	12	14	30	58	26	8	39	25.5	17	8	9.5	38	140
GN.36397	GN 817.8-12-15-C-ST	12	M20x1.5	33	9	M6	28.5	15	17	35	71.5	33	10	47.5	31.5	22	13.5	11.5	40	159

## GN 817.8-CK-ST

Code	Description	d1																[N]*	[N]#	△
		Plunger -0.02-0.04 Hole H7	d2	d3	d4	d5	k	l1	l2	l3	l4	l5	l6	l7	l8	sw	t			
GN.36349	GN 817.8-7-6-CK-ST	7	M12x1.5	23	5	M3	20	6	8	20	48	22	6	31	17.5	14	7	6.5	19	43
GN.36359	GN 817.8-7-9-CK-ST	7	M12x1.5	23	5	M3	20	9	11	20	48	22	6	27.5	21	14	7	6	25	55
GN.36369	GN 817.8-8-8-CK-ST	8	M16x1.5	28	6	M4	24	8	10	25	58	26	8	39	20.5	17	8	8.5	26	89
GN.36379	GN 817.8-8-12-CK-ST	8	M16x1.5	28	6	M4	24	12	14	25	58	26	8	34	25.5	17	8	8.5	28	110
GN.36389	GN 817.8-10-12-CK-ST	10	M16x1.5	28	7.5	M4	24	12	14	30	58	26	8	39	25.5	17	8	9.5	38	150
GN.36399	GN 817.8-12-15-CK-ST	12	M20x1.5	33	9	M6	28.5	15	17	35	71.5	33	10	47.5	31.5	22	13.5	11.5	40	208

## GN 817.8-C-NI

INOX STAINLESS STEEL

METRIC

Code	Description	d1																[N]*	[N]#	△
		Plunger -0.02-0.04 Hole H7	d2	d3	d4	d5	k	l1	l2	l3	l4	l5	l6	l7	l8	sw	t			
GN.36342	GN 817.8-7-6-C-NI	7	M12x1.5	23	5	M3	20	6	8	20	48	22	6	31	17.5	14	7	6.5	19	37
GN.36352	GN 817.8-7-9-C-NI	7	M12x1.5	23	5	M3	20	9	11	20	48	22	6	27.5	21	14	7	6	25	67
GN.36362	GN 817.8-8-8-C-NI	8	M16x1.5	28	6	M4	24	8	10	25	58	26	8	39	20.5	17	8	8.5	26	102
GN.36372	GN 817.8-8-12-C-NI	8	M16x1.5	28	6	M4	24	12	14	25	58	26	8	34	25.5	17	8	8.5	28	131
GN.36382	GN 817.8-10-12-C-NI	10	M16x1.5	28	7.5	M4	24	12	14	30	58	26	8	39	25.5	17	8	9.5	38	142
GN.36392	GN 817.8-12-15-C-NI	12	M20x1.5	33	9	M6	28.5	15	17	35	71.5	33	10	47.5	31.5	22	13.5	11.5	40	161

## GN 817.8-CK-NI

Code	Description	d1																[N]*	[N]#	△
		Plunger -0.02-0.04 Hole H7	d2	d3	d4	d5	k	l1	l2	l3	l4	l5	l6	l7	l8	sw	t			
GN.36344	GN 817.8-7-6-CK-NI	7	M12x1.5	23	5	M3	20	6	8	20	48	22	6	31	17.5	14	7	6.5	19	45
GN.36354	GN 817.8-7-9-CK-NI	7	M12x1.5	23	5	M3	20	9	11	20	48	22	6	27.5	21	14	7	6	25	57
GN.36364	GN 817.8-8-8-CK-NI	8	M16x1.5	28	6	M4	24	8	10	25	58	26	8	39	20.5	17	8	8.5	26	91
GN.36374	GN 817.8-8-12-CK-NI	8	M16x1.5	28	6	M4	24	12	14	25	58	26	8	34	25.5	17	8	8.5	28	112
GN.36384	GN 817.8-10-12-CK-NI	10	M16x1.5	28	7.5	M4	24	12	14	30	58	26	8	39	25.5	17	8	9.5	38	152
GN.36394	GN 817.8-12-15-CK-NI	12	M20x1.5	33	9	M6	28.5	15	17	35	71.5	33	10	47.5	31.5	22	13.5	11.5	40	210

\* Spring preload

# Spring maximum load

## X-ON Electronics

Largest Supplier of Electrical and Electronic Components

*Click to view similar products for [Heavy Duty Power Connectors](#) category:*

*Click to view products by [Elesa & Ganter](#) manufacturer:*

Other Similar products are found below :

[647757-1](#) [6643411-1](#) [6646058-2](#) [6646137-1](#) [6646138-1](#) [6646479-1](#) [6646608-1](#) [6646786-1](#) [6646940-1](#) [6651091-1](#) [6651525-1](#) [6651529-1](#)  
[6651788-1](#) [696475-1](#) [702-32-01109](#) [703-25-02205](#) [73000005059](#) [73000005642](#) [73080255059](#) [765-15-0080A](#) [765-16-0080B](#) [765-18-0080D](#)  
[829992-1](#) [902-77-02113](#) [PS00/A0620/6300](#) [PS25/A0420/63](#) [129-1J](#) [1409400](#) [AN0024023](#) [1460286](#) [E6374G1](#) [e6389g2](#) [157-43GW8](#)  
[MS3117-14AC](#) [1643543-1](#) [1650540-1](#) [1651811-2](#) [1766260-1](#) [1766282-1](#) [1766966-1](#) [1791340000](#) [NLDFT-3-BL-L-S120-M40A](#) [NLDFT-N-](#)  
[W-L-C240-M40B](#) [NLS-2-R-C240-M40B](#) [NLS-N-W-C240-M40B](#) [NPS-3-BL-T6](#) [1986615-1](#) [2-1589900-8](#) [2199314-1](#) [9300480317](#)