

## Stainless Steel- Mini indexing plungers with and without rest position

### SPECIFICATION

#### Types

- Type **B**: without rest position, with plastic knob
- Type **BN**: without rest position, with Stainless Steel-Knob
- Type **C**: with rest position, with plastic knob
- Type **CN**: with rest position, with Stainless Steel-Knob

Guide / Pin

Stainless Steel AISI 303

Spring

Stainless Steel AISI 301

#### Version with Plastic knob

Knob Type B and C

- Plastic (Polyamide PA)
- black, matt
- not removable

#### Version with Stainless Steel knob

Knob Type BN and CN

- Stainless Steel AISI CF-8
- matt blasted
- not removable

### INFORMATION

Mini indexing plungers GN 822.7 are distinguished for their small dimensions.

Based on the principle of the GN 822 (see page 780) mini indexing plungers, this model combines their clever type of construction with a complete series of all current sizes of bolts and threads. They provide a reasonably priced alternative to the GN 607 (see page 769) / GN 607.1 (see page 770) indexing plungers of the appropriate sizes. To mount, first turn the mini indexing plunger in with the knurled button. Pulling the indexing pin will release the hexagon nut which can then be tightened with an open-end spanner.

The spanner flats on the lock nut are revealed when retracting the pin, so that the mini indexing plunger can be easily tightened by means of a fork spanner.

In types C and CN, the button can be turned by 30° after retracting the indexing pin, holding it in the "retracted" position using the indexing lock.

- Range of indexing plungers (see page 738)

### ACCESSORY

Distance bushings GN 609.5 (see page 810) or flat hexagonal nuts GN 909.5 (see page 809) are to be ordered separately.

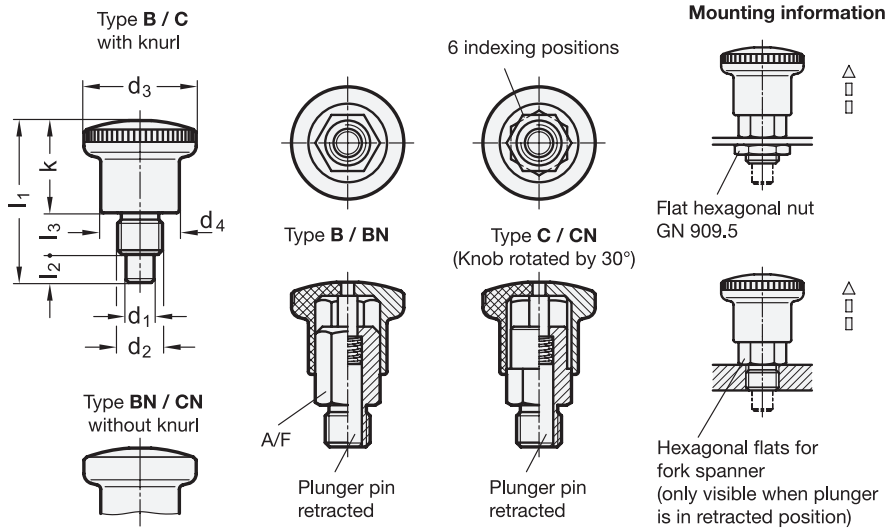
### TECHNICAL INFORMATION

- Stainless Steel characteristics (see page A26)
- Plastic characteristics (see page A2)
- ISO-Fundamental tolerances (see page A21)
- Load rating information (see page A42)

### ON REQUEST

- with red knob





\* Complete with type index of the mini indexing plungers (B or C)

**B** without rest position      **C** with rest position

GN 822.7

STAINLESS STEEL

Description	d1 Bore +0.03/+0.08 Pin h9	d2	d3	d4	l1	l2 min.	l3	k	A/F	Spring load in N ≈ initial	Spring load in N ≈ end	⚖️
GN 822.7-4-M8-*	4	M 8	21	15	27,5	5	6	16,5	10	4	12	14
GN 822.7-4-M8x1-*	4	M 8 x 1	21	15	27,5	5	6	16,5	10	4	12	15
GN 822.7-5-M10-*	5	M 10	25	18	34	6	8	20	12	6	16	25
GN 822.7-5-M10x1-*	5	M 10 x 1	25	18	34	6	8	20	12	6	16	25
GN 822.7-6-M10-*	6	M 10	25	18	34	6	8	20	12	6	16	26
GN 822.7-6-M10x1-*	6	M 10 x 1	25	18	34	6	8	20	12	6	16	26
GN 822.7-6-M12-*	6	M 12	28	20	40,5	7	10	23,5	14	10	23	40
GN 822.7-6-M12x1,5-*	6	M 12 x 1,5	28	20	40,5	7	10	23,5	14	10	23	40
GN 822.7-7-M12-*	7	M 12	28	20	40,5	7	10	23,5	14	10	23	41
GN 822.7-7-M12x1,5-*	7	M 12 x 1,5	28	20	40,5	7	10	23,5	14	10	23	41
GN 822.7-8-M16-*	8	M 16	33	23	47,5	10	12	25,5	17	11	35	67
GN 822.7-8-M16x1,5-*	8	M 16 x 1,5	33	23	47,5	10	12	25,5	17	11	35	67
GN 822.7-10-M16-*	10	M 16	33	23	47,5	10	12	25,5	17	11	35	68
GN 822.7-10-M16x1,5-*	10	M 16 x 1,5	33	23	47,5	10	12	25,5	17	11	35	70

Weight type B



Indexing elements

## X-ON Electronics

Largest Supplier of Electrical and Electronic Components

*Click to view similar products for [Headers & Wire Housings](#) category:*

*Click to view products by [Elesa & Ganter](#) manufacturer:*

Other Similar products are found below :

[95000-104TRLF](#) [10135584-644402LF](#) [DF62W-EP2022PCA](#) [95000-106TRLF](#) [DF62W-2022SCA](#) [DF62W-EP2022PC](#) [2203348](#) [DF62W-2022SC](#) [1084018](#) [1029039](#) [1084017](#) [802-10-012-10-002000](#) [1112640](#) [1112639](#) [891-007-9SS-BST1T](#) [000-34000](#) [0008550134](#) [0009482033](#) [0009507031](#) [57102-F02-18ULF](#) [57102-S06-03LF](#) [57202-S52-04LF](#) [PCN6-15S-2.5E](#) [0039019024](#) [58102-G61-06LF](#) [582553-1](#) [0009485154](#) [0009508121](#) [009176003701906](#) [0022285053](#) [0050291907](#) [018731A](#) [LY20-4P-DT1-P1E-BR](#) [02.125.8002.8](#) [60101931](#) [60598-1 \(Cut Strip\)](#) [M1625-3R/100](#) [61062-3](#) [61082-181009](#) [CSU011177004](#) [636-1427](#) [638009-1](#) [641938-9](#) [641991-4](#) [644168-1](#) [644827-2](#) [647662-1](#) [65039-019ELF](#) [65692-001LF](#) [65781-018](#)