

Push-pull type toggle clamps

Steel / Stainless Steel, for push-pull clamping

SPECIFICATION

Types

- Type **AS**: without mounting bracket
- Type **ASW**: with mounting bracket

Version in Steel

Parts in sheet metal
Case-hardened Steel C10
zinc plated, blue passivated

All moving parts
lubricated with special grease

Hand grip
High quality, oil resistant red plastic

Version in Stainless Steel NI

- Parts in sheet metal AISI 304
- other parts AISI 303

All moving parts
lubricated with special grease

Hand grip
High quality, oil resistant red plastic



TECHNICAL INFORMATION

- Stainless Steel characteristics (see page A26)

ACCESSORY

- Spindle assemblies (see page 1623)

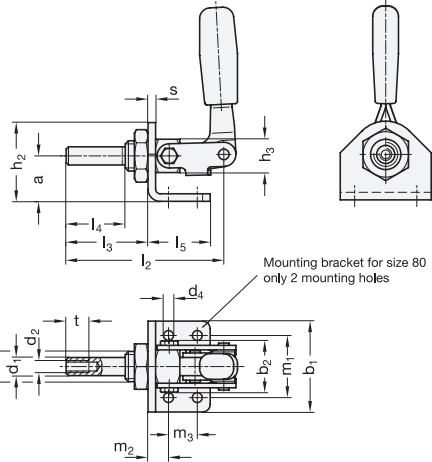
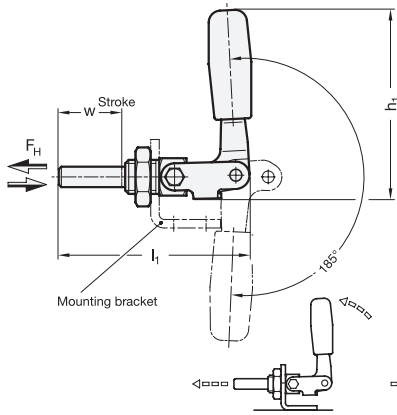
INFORMATION

GN 843.1 push-pull type toggle clamps can be mounted on a mounting bracket (Type ASW) or directly on the jig.

The center bushing securing method allows the operating handle to be turned to the most favorable position.

GN 843.1 push-pull type toggle clamps replace series GN 843.

- General information for toggle clamps (see page 1560)



* Complete with type index of the push-pull type toggle clamps

- AS** without mounting bracket
- ASW** with mounting bracket

GN 843.1

Description	Size	FH in N	a	b1	b2	d1	d2	d3	d4	h1 ≈	h2	h3	l1 ≈	l2 ≈	l3 ≈	l4 ≈	l5	m1	m2	m3	s	t	w	⚖
GN 843.1-80-*	80	3000	24	35	29	10	M 6	M 16 x 1.5	5.5	70.5	38.5	19	71	65	34	22	22	20	12	-	4	12	21	133
GN 843.1-165-*	165	5400	32	60	35	12	M 8	M 20 x 1.5	6.5	110	50	22	112	104	54	39	41	41	13.5	19	5	15	38	332
GN 843.1-340-*	340	7000	48	75	47.6	16	M 10	M 24 x 2	8.5	146	70	30	173	162	85	68	59	55	19	25	5	18	66	830

GN 843.1-NI

STAINLESS STEEL

Description	Size	FH in N	a	b1	b2	d1	d2	d3	d4	h1 ≈	h2	h3	l1 ≈	l2 ≈	l3 ≈	l4 ≈	l5	m1	m2	m3	s	t	w	⚖
GN 843.1-80-* -NI	80	3000	24	35	29	10	M 6	M 16 x 1.5	5.5	70.5	38.5	19	71	65	34	22	22	20	12	-	4	12	21	136
GN 843.1-165-* -NI	165	5400	32	60	35	12	M 8	M 20 x 1.5	6.5	110	50	22	112	104	54	39	41	41	13.5	19	5	15	38	333
GN 843.1-340-* -NI	340	7000	48	75	47.6	16	M 10	M 24 x 2	8.5	146	70	30	173	162	85	68	59	55	19	25	5	18	66	820

Weight type AS

X-ON Electronics

Largest Supplier of Electrical and Electronic Components

Click to view similar products for [Elesa & Ganter](#) manufacturer:

Other Similar products are found below :

[11353](#) [13651](#) [13681](#) [13711](#) [13721](#) [13726](#) [13731](#) [137901](#) [141131](#) [141141](#) [141221](#) [141311](#) [141331](#) [141335](#) [141341](#) [141421](#) [141471](#)
[141511](#) [141531](#) [141541](#) [141561](#) [142121](#) [142211](#) [142231](#) [142351](#) [220416-C1](#) [221206-C1](#) [221206-C2](#) [221206-C3](#) [221206-C4](#) [221206-C5](#)
[221206-C6](#) [221221-C1](#) [221221-C2](#) [221221-C3](#) [221221-C4](#) [221221-C5](#) [221221-C6](#) [221226-C1](#) [221406-C1](#) [221406-C3](#) [221426-C1](#) [221436-](#)
[C1](#) [221631-C1](#) [221641-C1](#) [222221-C1](#) [222221-C2](#) [222221-C3](#) [222221-C4](#) [222221-C5](#)