

Clamping levers with eccentric cam

Contact plate Plastic, Lever Steel

SPECIFICATION

Types

- Type A: Plastic contact plate with setting nut
- Type B: Plastic contact plate without setting nut

Lever

Steel (precision casting)
zinc plated, blue passivated

Contact plates

Plastic, glass fibre reinforced

- Type A: Polyacetel (POM)
- Type B: Polyamide (PA)

Version with threaded insert

Axis, lag nut, setting nut
Steel zinc plated, blue passivated

Version with threaded stud

Axis, lag screw, setting screw
Steel zinc plated, blue passivated



INFORMATION

Clamping levers with eccentric cam GN 927.3 are used for rapid clamping and releasing. Hereby, contrary to a clamping operation via a thread, these levers permit a **torque-free** clamping.

The lever has been designed to ensure that its movement cannot exceed the max. clamping force.

There are no loose components since they are all assembled and mounted in their correct order.

Type A has the following benefits:

The distance between the lever cam and the clamping surface is adjustable via a fine pitch thread, allowing the clamping position to be set easily with maximum clamping force. Also, the position of the lever relative to the clamping axis can be determined.

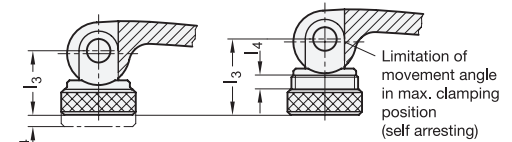
With these clamping levers with eccentric cam, clamping forces of up to 8 kN can be reached.

TECHNICAL INFORMATION

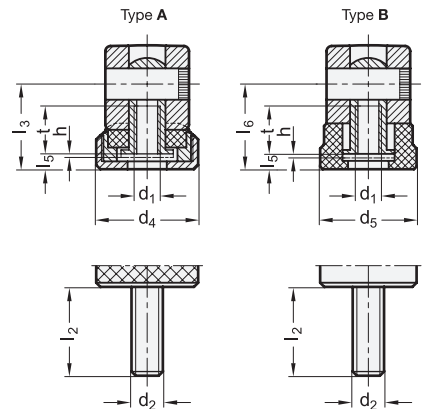
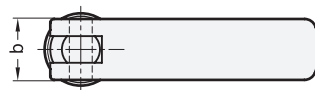
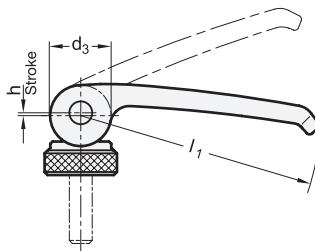
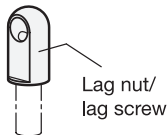
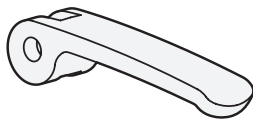
- Plastic characteristics (see page A2)

CONSTRUCTIONAL FEATURES (TYPE A) / APPLICATION EXAMPLE

l_3 adjustable by the setting screw for optimum clamping force at the preferred lever position.



l_3 max. must not be exceeded. Otherwise there is the risk that the positioning thread can no longer absorb the clamping force or may be damaged.



* Complete with type of the Clamping lever (A or B)

A
with setting nut

B
without setting nut

GN 927.3-with threaded insert

Description	l1	d1	b	d3	d4	d5	h	l3 min.	l3 max.	l4	l5	l6	t	⚖
GN 927.3-63-M5-*	63	M 5	16	16	19	18.5	0.75	16.3	18.8	2.5	3	16.3	10	63
GN 927.3-63-M6-*	63	M 6	16	16	19	18.5	0.75	16.3	18.8	2.5	3	16.3	10	63
GN 927.3-82-M6-*	82	M 6	20	20	25	22.5	1	19.5	22.5	3	3.7	19.5	12	125
GN 927.3-82-M8-*	82	M 8	20	20	25	22.5	1	19.5	22.5	3	3.7	19.5	12	123
GN 927.3-101-M8-*	101	M 8	25	26	30	27	1.5	25.3	29.3	4	4.8	25.3	15	243
GN 927.3-101-M10-*	101	M 10	25	26	30	27	1.5	25.3	29.3	4	4.8	25.3	15	240

GN 927.3-with threaded stud

Description	l1	d2	l2	b	d3	d4	d5	h	l3 min.	l3 max.	l4	l5	l6	⚖
GN 927.3-63-M5-16-*	63	M 5	16	16	16	19	18.5	0.75	16.3	18.8	2.5	3	16.3	45
GN 927.3-63-M5-20-*	63	M 5	20	16	16	19	18.5	0.75	16.3	18.8	2.5	3	16.3	66
GN 927.3-63-M5-25-*	63	M 5	25	16	16	19	18.5	0.75	16.3	18.8	2.5	3	16.3	68
GN 927.3-63-M5-30-*	63	M 5	30	16	16	19	18.5	0.75	16.3	18.8	2.5	3	16.3	69
GN 927.3-63-M5-35-*	63	M 5	35	16	16	19	18.5	0.75	16.3	18.8	2.5	3	16.3	69
GN 927.3-63-M5-40-*	63	M 5	40	16	16	19	18.5	0.75	16.3	18.8	2.5	3	16.3	70
GN 927.3-63-M5-50-*	63	M 5	50	16	16	19	18.5	0.75	16.3	18.8	2.5	3	16.3	71
GN 927.3-63-M6-16-*	63	M 6	16	16	16	19	18.5	0.75	16.3	18.8	2.5	3	16.3	67
GN 927.3-63-M6-20-*	63	M 6	20	16	16	19	18.5	0.75	16.3	18.8	2.5	3	16.3	67
GN 927.3-63-M6-25-*	63	M 6	25	16	16	19	18.5	0.75	16.3	18.8	2.5	3	16.3	69
GN 927.3-63-M6-30-*	63	M 6	30	16	16	19	18.5	0.75	16.3	18.8	2.5	3	16.3	70
GN 927.3-63-M6-35-*	63	M 6	35	16	16	19	18.5	0.75	16.3	18.8	2.5	3	16.3	70
GN 927.3-63-M6-40-*	63	M 6	40	16	16	19	18.5	0.75	16.3	18.8	2.5	3	16.3	72
GN 927.3-63-M6-50-*	63	M 6	50	16	16	19	18.5	0.75	16.3	18.8	2.5	3	16.3	76
GN 927.3-82-M6-20-*	82	M 6	20	20	20	25	22.5	1	19.5	22.5	3	3.7	19.5	131
GN 927.3-82-M6-25-*	82	M 6	25	20	20	25	22.5	1	19.5	22.5	3	3.7	19.5	131
GN 927.3-82-M6-30-*	82	M 6	30	20	20	25	22.5	1	19.5	22.5	3	3.7	19.5	132
GN 927.3-82-M6-35-*	82	M 6	35	20	20	25	22.5	1	19.5	22.5	3	3.7	19.5	134
GN 927.3-82-M6-40-*	82	M 6	40	20	20	25	22.5	1	19.5	22.5	3	3.7	19.5	137
GN 927.3-82-M6-50-*	82	M 6	50	20	20	25	22.5	1	19.5	22.5	3	3.7	19.5	137
GN 927.3-82-M6-60-*	82	M 6	60	20	20	25	22.5	1	19.5	22.5	3	3.7	19.5	138
GN 927.3-82-M8-20-*	82	M 8	20	20	20	25	22.5	1	19.5	22.5	3	3.7	19.5	121
GN 927.3-82-M8-25-*	82	M 8	25	20	20	25	22.5	1	19.5	22.5	3	3.7	19.5	124
GN 927.3-82-M8-30-*	82	M 8	30	20	20	25	22.5	1	19.5	22.5	3	3.7	19.5	124
GN 927.3-82-M8-35-*	82	M 8	35	20	20	25	22.5	1	19.5	22.5	3	3.7	19.5	126
GN 927.3-82-M8-40-*	82	M 8	40	20	20	25	22.5	1	19.5	22.5	3	3.7	19.5	126
GN 927.3-82-M8-50-*	82	M 8	50	20	20	25	22.5	1	19.5	22.5	3	3.7	19.5	130
GN 927.3-82-M8-60-*	82	M 8	60	20	20	25	22.5	1	19.5	22.5	3	3.7	19.5	134
GN 927.3-101-M8-20-*	101	M 8	20	25	26	30	27	1.5	25.3	29.3	4	4.8	25.3	255
GN 927.3-101-M8-25-*	101	M 8	25	25	26	30	27	1.5	25.3	29.3	4	4.8	25.3	256
GN 927.3-101-M8-30-*	101	M 8	30	25	26	30	27	1.5	25.3	29.3	4	4.8	25.3	258
GN 927.3-101-M8-35-*	101	M 8	35	25	26	30	27	1.5	25.3	29.3	4	4.8	25.3	260
GN 927.3-101-M8-40-*	101	M 8	40	25	26	30	27	1.5	25.3	29.3	4	4.8	25.3	261
GN 927.3-101-M8-50-*	101	M 8	50	25	26	30	27	1.5	25.3	29.3	4	4.8	25.3	262
GN 927.3-101-M8-60-*	101	M 8	60	25	26	30	27	1.5	25.3	29.3	4	4.8	25.3	266
GN 927.3-101-M10-20-*	101	M 10	20	25	26	30	27	1.5	25.3	29.3	4	4.8	25.3	233
GN 927.3-101-M10-25-*	101	M 10	25	25	26	30	27	1.5	25.3	29.3	4	4.8	25.3	236
GN 927.3-101-M10-30-*	101	M 10	30	25	26	30	27	1.5	25.3	29.3	4	4.8	25.3	238
GN 927.3-101-M10-35-*	101	M 10	35	25	26	30	27	1.5	25.3	29.3	4	4.8	25.3	238
GN 927.3-101-M10-40-*	101	M 10	40	25	26	30	27	1.5	25.3	29.3	4	4.8	25.3	241
GN 927.3-101-M10-50-*	101	M 10	50	25	26	30	27	1.5	25.3	29.3	4	4.8	25.3	257
GN 927.3-101-M10-60-*	101	M 10	60	25	26	30	27	1.5	25.3	29.3	4	4.8	25.3	260

Weight type A



Clamping levers

X-ON Electronics

Largest Supplier of Electrical and Electronic Components

Click to view similar products for [Other Tools](#) category:

Click to view products by [Elesa & Ganter](#) manufacturer:

Other Similar products are found below :

[CR-0AFL4--332K](#) [568681-1](#) [5800-0090](#) [58061-1](#) [59065-5](#) [59085](#) [00-8273-RDPP](#) [00-8729-WHPP](#) [593033](#) [593072](#) [593564100](#) [593575](#)
[593593](#) [011349-000](#) [CRCW08052740FRT1](#) [LUC-018S070DSP](#) [LUC-024S105DSP](#) [599-2021-3-NME](#) [599-JJ-2021-03](#) [00-5080-YWPP](#) [00-](#)
[9089-RDPP](#) [00-9300-RDPP](#) [CRCW2010331JR02](#) [601-JJ-06](#) [601-SPB](#) [601YSY](#) [602-JJ-03](#) [602SPB](#) [603-JJ-07-FP](#) [603-JJY-04](#) [M15570-25](#)
[CRTN1013](#) [CS16](#) [6-1579014-0](#) [6203](#) [6240-1](#) [M-5Z](#) [M6816](#) [M7976](#) [660-29ABT1](#) [662508-1](#) [CVHD-950X-93.333](#) [671-GP-04-KT39-73207](#)
[CW307-01A](#) [CW30901A](#) [CW6211201A](#) [679793-1](#) [6871478001](#) [69001-0105](#) [690124-7](#)