

Clamping levers with eccentric cam

Single parts Stainless Steel / Contact plate Plastic / Lever Zinc die casting

SPECIFICATION

Types

- Type **A**: Plastic contact plate with setting nut
- Type **B**: Plastic contact plate without setting nut

Lever

Zinc die casting

plastic coated (abrasion proof epoxy resin)

black, RAL 9005 **B**

orange, RAL 2004 **O**

red, RAL 3000 **R**

silver, RAL 9006 **S**

Contact plates

Plastic, glass fibre reinforced

- Type A: Polyacetal (POM)
- Type B: Polyamide (PA)

Version with threaded insert

Axis, lag nut, setting nut

Stainless Steel AISI 303

Version with threaded stud

Axis, lag screw, setting screw

Stainless Steel AISI 303

INFORMATION

Clamping levers with eccentric cam GN 927.4 with stainless steel internal thread are used for rapid clamping and releasing. Hereby, contrary to a clamping operation via a thread, these levers permit a **torque-free** clamping.

The lever has been designed to ensure that its movement cannot exceed the max. clamping force.

There are no loose components since they are all assembled and mounted in their correct order.

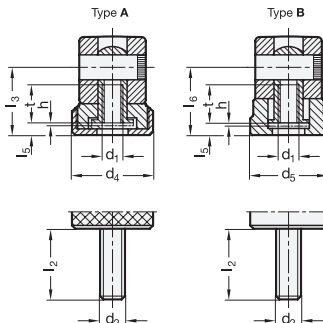
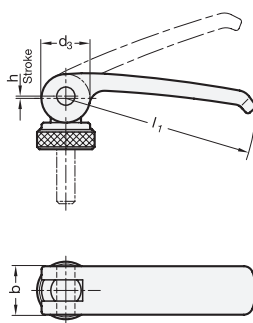
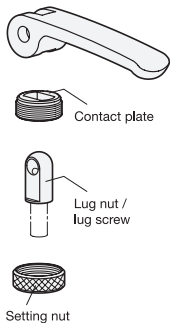
Type A has the following benefits:

The distance between the lever cam and the clamping surface is adjustable via a fine pitch thread, allowing the clamping position to be set easily with maximum clamping force. Also, the position of the lever relative to the clamping axis can be determined.

With these clamping levers with eccentric cam, clamping forces of up to 8 kN can be reached.

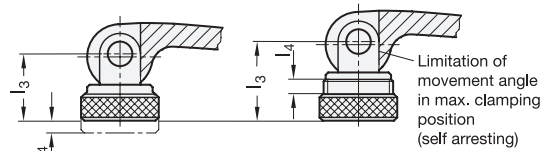
TECHNICAL INFORMATION

- Plastic characteristics (see page A2)
- Stainless Steel characteristics (see page A26)



CONSTRUCTIONAL FEATURES (TYPE A) / APPLICATION EXAMPLE

l_3 adjustable by the setting screw for optimum clamping force at the preferred lever position.



l_3 max. must not be exceeded. Otherwise there is the risk that the positioning thread can no longer absorb the clamping force or may be damaged.





* Complete with colour index of the Clamping lever (B, O, R or S)



GN 927.4-with threaded insert

Description	l1	d1	b	d3	d4	d5	h	l3 min.	l3 max.	l4	l5	l6	t	$\Delta\Delta$
GN 927.4-63-M5-A-*	63	M 5	16	16	19	-	0.75	16.3	18.8	2.5	3	-	10	57
GN 927.4-63-M6-A-*	63	M 6	16	16	19	-	0.75	16.3	18.8	2.5	3	-	10	56
GN 927.4-82-M6-A-*	82	M 6	20	20	25	-	1	19.5	22.5	3	3.7	-	12	112
GN 927.4-82-M8-A-*	82	M 8	20	20	25	-	1	19.5	22.5	3	3.7	-	12	110
GN 927.4-101-M8-A-*	101	M 8	25	26	30	-	1.5	25.3	29.3	4	4.8	-	15	213
GN 927.4-101-M10-A-*	101	M 10	25	26	30	-	1.5	25.3	29.3	4	4.8	-	15	211
GN 927.4-63-M5-B-*	63	M 5	16	16	-	18.5	0.75	-	-	-	3	16.3	10	51
GN 927.4-63-M6-B-*	63	M 6	16	16	-	18.5	0.75	-	-	-	3	16.3	10	50
GN 927.4-82-M6-B-*	82	M 6	20	20	-	22.5	1	-	-	-	3.7	19.5	12	97
GN 927.4-82-M8-B-*	82	M 8	20	20	-	22.5	1	-	-	-	3.7	19.5	12	98
GN 927.4-101-M8-B-*	101	M 8	25	26	-	27	1.5	-	-	-	4.8	25.3	15	185
GN 927.4-101-M10-B-*	101	M 10	25	26	-	27	1.5	-	-	-	4.8	25.3	15	185

GN 927.4-with threaded stud

Description	l1	d2	l2	b	d3	d4	d5	h	l3 min.	l3 max.	l4	l5	l6	$\Delta\Delta$
GN 927.4-63-M5-16-A-*	63	M 5	16	16	16	19	-	0.75	16.3	18.8	2.5	3	-	60
GN 927.4-63-M5-20-A-*	63	M 5	20	16	16	19	-	0.75	16.3	18.8	2.5	3	-	61
GN 927.4-63-M5-25-A-*	63	M 5	25	16	16	19	-	0.75	16.3	18.8	2.5	3	-	61
GN 927.4-63-M5-30-A-*	63	M 5	30	16	16	19	-	0.75	16.3	18.8	2.5	3	-	63
GN 927.4-63-M5-35-A-*	63	M 5	35	16	16	19	-	0.75	16.3	18.8	2.5	3	-	63
GN 927.4-63-M5-40-A-*	63	M 5	40	16	16	19	-	0.75	16.3	18.8	2.5	3	-	65
GN 927.4-63-M5-50-A-*	63	M 5	50	16	16	19	-	0.75	16.3	18.8	2.5	3	-	65
GN 927.4-63-M6-16-A-*	63	M 6	16	16	16	19	-	0.75	16.3	18.8	2.5	3	-	60
GN 927.4-63-M6-20-A-*	63	M 6	20	16	16	19	-	0.75	16.3	18.8	2.5	3	-	61
GN 927.4-63-M6-25-A-*	63	M 6	25	16	16	19	-	0.75	16.3	18.8	2.5	3	-	62
GN 927.4-63-M6-30-A-*	63	M 6	30	16	16	19	-	0.75	16.3	18.8	2.5	3	-	64
GN 927.4-63-M6-35-A-*	63	M 6	35	16	16	19	-	0.75	16.3	18.8	2.5	3	-	64
GN 927.4-63-M6-40-A-*	63	M 6	40	16	16	19	-	0.75	16.3	18.8	2.5	3	-	65
GN 927.4-63-M6-50-A-*	63	M 6	50	16	16	19	-	0.75	16.3	18.8	2.5	3	-	77
GN 927.4-82-M6-20-A-*	82	M 6	20	20	20	25	-	1	19.5	22.5	3	3.7	-	118
GN 927.4-82-M6-25-A-*	82	M 6	25	20	20	25	-	1	19.5	22.5	3	3.7	-	119
GN 927.4-82-M6-30-A-*	82	M 6	30	20	20	25	-	1	19.5	22.5	3	3.7	-	120
GN 927.4-82-M6-35-A-*	82	M 6	35	20	20	25	-	1	19.5	22.5	3	3.7	-	120
GN 927.4-82-M6-40-A-*	82	M 6	40	20	20	25	-	1	19.5	22.5	3	3.7	-	122
GN 927.4-82-M6-50-A-*	82	M 6	50	20	20	25	-	1	19.5	22.5	3	3.7	-	123
GN 927.4-82-M6-60-A-*	82	M 6	60	20	20	25	-	1	19.5	22.5	3	3.7	-	126
GN 927.4-82-M8-20-A-*	82	M 8	20	20	20	25	-	1	19.5	22.5	3	3.7	-	121
GN 927.4-82-M8-25-A-*	82	M 8	25	20	20	25	-	1	19.5	22.5	3	3.7	-	122
GN 927.4-82-M8-30-A-*	82	M 8	30	20	20	25	-	1	19.5	22.5	3	3.7	-	123
GN 927.4-82-M8-35-A-*	82	M 8	35	20	20	25	-	1	19.5	22.5	3	3.7	-	125
GN 927.4-82-M8-40-A-*	82	M 8	40	20	20	25	-	1	19.5	22.5	3	3.7	-	128
GN 927.4-82-M8-50-A-*	82	M 8	50	20	20	25	-	1	19.5	22.5	3	3.7	-	130
GN 927.4-82-M8-60-A-*	82	M 8	60	20	20	25	-	1	19.5	22.5	3	3.7	-	132
GN 927.4-101-M8-25-A-*	101	M 8	25	25	26	30	-	1.5	25.3	29.3	4	4.8	-	228
GN 927.4-101-M8-30-A-*	101	M 8	30	25	26	30	-	1.5	25.3	29.3	4	4.8	-	230
GN 927.4-101-M8-35-A-*	101	M 8	35	25	26	30	-	1.5	25.3	29.3	4	4.8	-	231
GN 927.4-101-M8-40-A-*	101	M 8	40	25	26	30	-	1.5	25.3	29.3	4	4.8	-	232
GN 927.4-101-M8-50-A-*	101	M 8	50	25	26	30	-	1.5	25.3	29.3	4	4.8	-	235

Clamping levers 3

* Complete with colour index of the Clamping lever (B, O, R or S)

B
 O
 R
 S
 RAL9005 RAL2004 RAL3000 RAL9006

GN 927.4-with threaded stud

Description	l1	d2	l2	b	d3	d4	d5	h	l3 min.	l3 max.	l4	l5	l6	⚖
GN 927.4-101-M8-60-A-*	101	M 8	60	25	26	30	-	1.5	25.3	29.3	4	4.8	-	238
GN 927.4-101-M10-20-A-*	101	M 10	20	25	26	30	-	1.5	25.3	29.3	4	4.8	-	229
GN 927.4-101-M10-25-A-*	101	M 10	25	25	26	30	-	1.5	25.3	29.3	4	4.8	-	232
GN 927.4-101-M10-30-A-*	101	M 10	30	25	26	30	-	1.5	25.3	29.3	4	4.8	-	234
GN 927.4-101-M10-35-A-*	101	M 10	35	25	26	30	-	1.5	25.3	29.3	4	4.8	-	237
GN 927.4-101-M10-40-A-*	101	M 10	40	25	26	30	-	1.5	25.3	29.3	4	4.8	-	240
GN 927.4-101-M10-50-A-*	101	M 10	50	25	26	30	-	1.5	25.3	29.3	4	4.8	-	234
GN 927.4-101-M10-60-A-*	101	M 10	60	25	26	30	-	1.5	25.3	29.3	4	4.8	-	250
GN 927.4-63-M5-16-B-*	63	M 5	16	16	16	-	18.5	0.75	-	-	-	3	16.3	55
GN 927.4-63-M5-20-B-*	63	M 5	20	16	16	-	18.5	0.75	-	-	-	3	16.3	55
GN 927.4-63-M5-25-B-*	63	M 5	25	16	16	-	18.5	0.75	-	-	-	3	16.3	56
GN 927.4-63-M5-30-B-*	63	M 5	30	16	16	-	18.5	0.75	-	-	-	3	16.3	56
GN 927.4-63-M5-35-B-*	63	M 5	35	16	16	-	18.5	0.75	-	-	-	3	16.3	58
GN 927.4-63-M5-40-B-*	63	M 5	40	16	16	-	18.5	0.75	-	-	-	3	16.3	58
GN 927.4-63-M5-50-B-*	63	M 5	50	16	16	-	18.5	0.75	-	-	-	3	16.3	59
GN 927.4-63-M6-16-B-*	63	M 6	16	16	16	-	18.5	0.75	-	-	-	3	16.3	54
GN 927.4-63-M6-20-B-*	63	M 6	20	16	16	-	18.5	0.75	-	-	-	3	16.3	55
GN 927.4-63-M6-25-B-*	63	M 6	25	16	16	-	18.5	0.75	-	-	-	3	16.3	56
GN 927.4-63-M6-30-B-*	63	M 6	30	16	16	-	18.5	0.75	-	-	-	3	16.3	57
GN 927.4-63-M6-35-B-*	63	M 6	35	16	16	-	18.5	0.75	-	-	-	3	16.3	58
GN 927.4-63-M6-40-B-*	63	M 6	40	16	16	-	18.5	0.75	-	-	-	3	16.3	59
GN 927.4-63-M6-50-B-*	63	M 6	50	16	16	-	18.5	0.75	-	-	-	3	16.3	60
GN 927.4-82-M6-20-B-*	82	M 6	20	20	20	-	22.5	1	-	-	-	3.7	19.5	103
GN 927.4-82-M6-25-B-*	82	M 6	25	20	20	-	22.5	1	-	-	-	3.7	19.5	104
GN 927.4-82-M6-30-B-*	82	M 6	30	20	20	-	22.5	1	-	-	-	3.7	19.5	106
GN 927.4-82-M6-35-B-*	82	M 6	35	20	20	-	22.5	1	-	-	-	3.7	19.5	106
GN 927.4-82-M6-40-B-*	82	M 6	40	20	20	-	22.5	1	-	-	-	3.7	19.5	108
GN 927.4-82-M6-50-B-*	82	M 6	50	20	20	-	22.5	1	-	-	-	3.7	19.5	111
GN 927.4-82-M6-60-B-*	82	M 6	60	20	20	-	22.5	1	-	-	-	3.7	19.5	111
GN 927.4-82-M8-20-B-*	82	M 8	20	20	20	-	22.5	1	-	-	-	3.7	19.5	106
GN 927.4-82-M8-25-B-*	82	M 8	25	20	20	-	22.5	1	-	-	-	3.7	19.5	110
GN 927.4-82-M8-30-B-*	82	M 8	30	20	20	-	22.5	1	-	-	-	3.7	19.5	111
GN 927.4-82-M8-35-B-*	82	M 8	35	20	20	-	22.5	1	-	-	-	3.7	19.5	112
GN 927.4-82-M8-40-B-*	82	M 8	40	20	20	-	22.5	1	-	-	-	3.7	19.5	114
GN 927.4-82-M8-50-B-*	82	M 8	50	20	20	-	22.5	1	-	-	-	3.7	19.5	116
GN 927.4-82-M8-60-B-*	82	M 8	60	20	20	-	22.5	1	-	-	-	3.7	19.5	120
GN 927.4-101-M8-20-B-*	101	M 8	20	25	26	-	27	1.5	-	-	-	4.8	25.3	200
GN 927.4-101-M8-25-B-*	101	M 8	25	25	26	-	27	1.5	-	-	-	4.8	25.3	203
GN 927.4-101-M8-30-B-*	101	M 8	30	25	26	-	27	1.5	-	-	-	4.8	25.3	204
GN 927.4-101-M8-35-B-*	101	M 8	35	25	26	-	27	1.5	-	-	-	4.8	25.3	208
GN 927.4-101-M8-40-B-*	101	M 8	40	25	26	-	27	1.5	-	-	-	4.8	25.3	209
GN 927.4-101-M8-50-B-*	101	M 8	50	25	26	-	27	1.5	-	-	-	4.8	25.3	210
GN 927.4-101-M8-60-B-*	101	M 8	60	25	26	-	27	1.5	-	-	-	4.8	25.3	214
GN 927.4-101-M10-20-B-*	101	M 10	20	25	26	-	27	1.5	-	-	-	4.8	25.3	200
GN 927.4-101-M10-25-B-*	101	M 10	25	25	26	-	27	1.5	-	-	-	4.8	25.3	203
GN 927.4-101-M10-30-B-*	101	M 10	30	25	26	-	27	1.5	-	-	-	4.8	25.3	210
GN 927.4-101-M10-35-B-*	101	M 10	35	25	26	-	27	1.5	-	-	-	4.8	25.3	220
GN 927.4-101-M10-40-B-*	101	M 10	40	25	26	-	27	1.5	-	-	-	4.8	25.3	215
GN 927.4-101-M10-50-B-*	101	M 10	50	25	26	-	27	1.5	-	-	-	4.8	25.3	221
GN 927.4-101-M10-60-B-*	101	M 10	60	25	26	-	27	1.5	-	-	-	4.8	25.3	221



Clamping levers

X-ON Electronics

Largest Supplier of Electrical and Electronic Components

Click to view similar products for [Other Tools](#) category:

Click to view products by [Elesa & Ganter](#) manufacturer:

Other Similar products are found below :

[CR-0AFL4--332K](#) [568681-1](#) [5800-0090](#) [58061-1](#) [59065-5](#) [59085](#) [00-8273-RDPP](#) [00-8729-WHPP](#) [593033](#) [593072](#) [593564100](#) [593575](#)
[593593](#) [011349-000](#) [CRCW08052740FRT1](#) [LUC-018S070DSP](#) [LUC-024S105DSP](#) [599-2021-3-NME](#) [599-JJ-2021-03](#) [00-5080-YWPP](#) [00-](#)
[9089-RDPP](#) [00-9300-RDPP](#) [CRCW2010331JR02](#) [601-JJ-06](#) [601-SPB](#) [601YSY](#) [602-JJ-03](#) [602SPB](#) [603-JJ-07-FP](#) [603-JJY-04](#) [M15570-25](#)
[CRTN1013](#) [CS16](#) [6-1579014-0](#) [6203](#) [6240-1](#) [M-5Z](#) [M6816](#) [M7976](#) [660-29ABT1](#) [662508-1](#) [CVHD-950X-93.333](#) [671-GP-04-KT39-73207](#)
[CW307-01A](#) [CW30901A](#) [CW6211201A](#) [679793-1](#) [6871478001](#) [69001-0105](#) [690124-7](#)