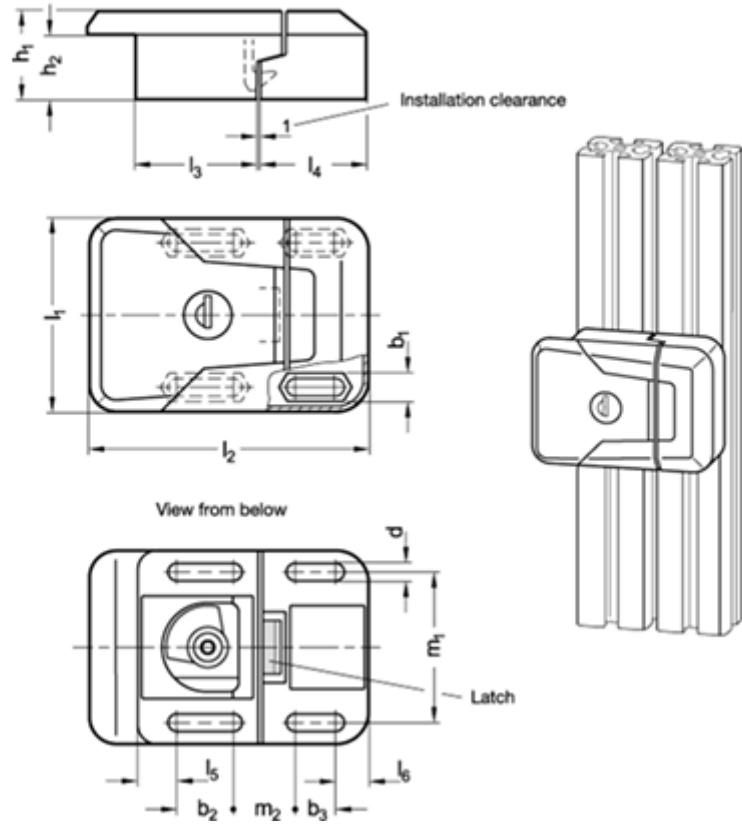


GN 936
Slam latches
 with and without lock



	l1	b1	b2	b3	d	h1	h2	l2	l3	l4	m1	m2	
Description													
GN 936-72-SCL-SW	72	10.3	21	15	6.5	33	24	104	45	40	56	23	416
GN 936-72-SCL-SR	72	10.3	21	15	6.5	33	24	104	45	40	56	23	420
GN 936-72-SUL-SW	72	10.3	21	15	6.5	33	24	104	45	40	56	23	418
GN 936-72-SUL-SR	72	10.3	21	15	6.5	33	24	104	45	40	56	23	415

Specification

Type

- Type SL: not lockable
- Type SCL: lockable (same lock)
- Type SUL: lockable (different lock)

Housing

Zinc die casting
 plastic coated
 black, RAL 9005, textured finish SW
 silver, RAL 9006, textured finish SR

Covers and latch

Plastic

- black-gray for SW
- light gray for SR

Lock mechanism

Zinc die casting

Key

Steel, nickel plated

other parts

Steel zinc plated, blue passivated

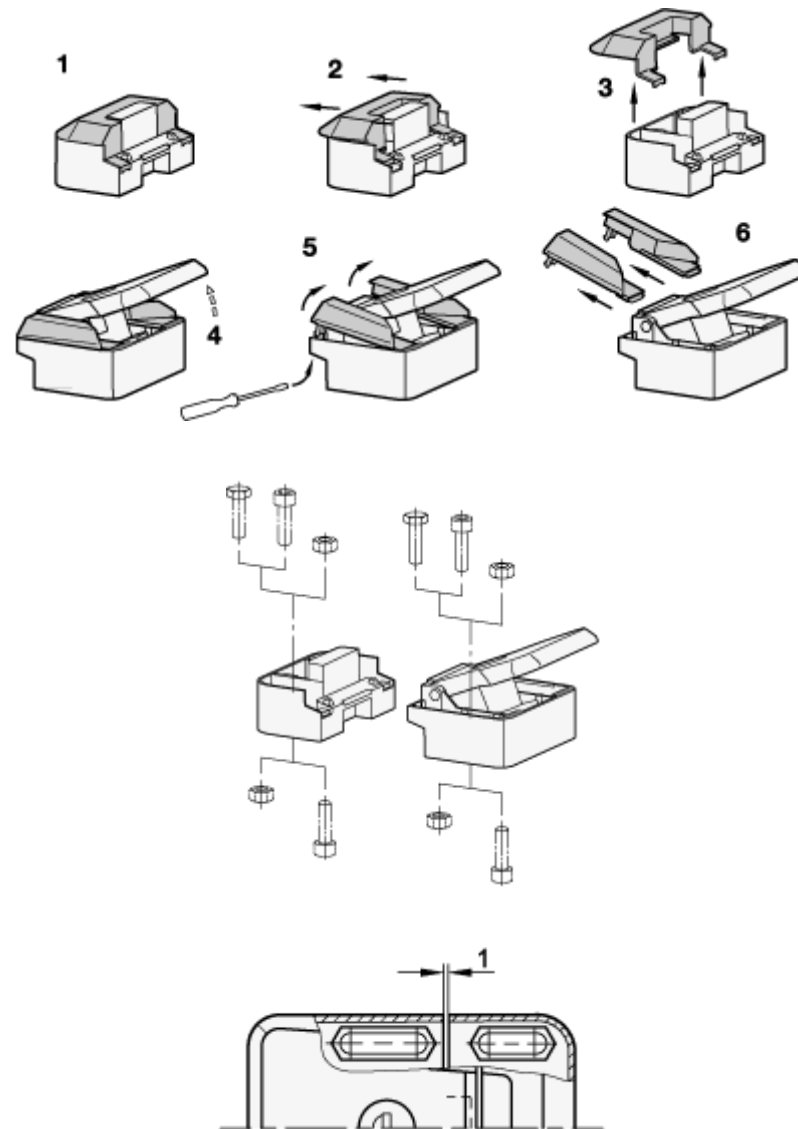
Information

GN 936 slam latches enable doors and closures to be effortlessly closed. The latch engages automatically when the door is closed preventing the door from opening unintentionally.

The slots enable the slam latch to be fitted to profile systems with different cross-sections.

The lockable versions of the slam latches (SCL and SUL types) are each supplied with 2 keys. The key can be removed in both end positions.

Assembly instructions

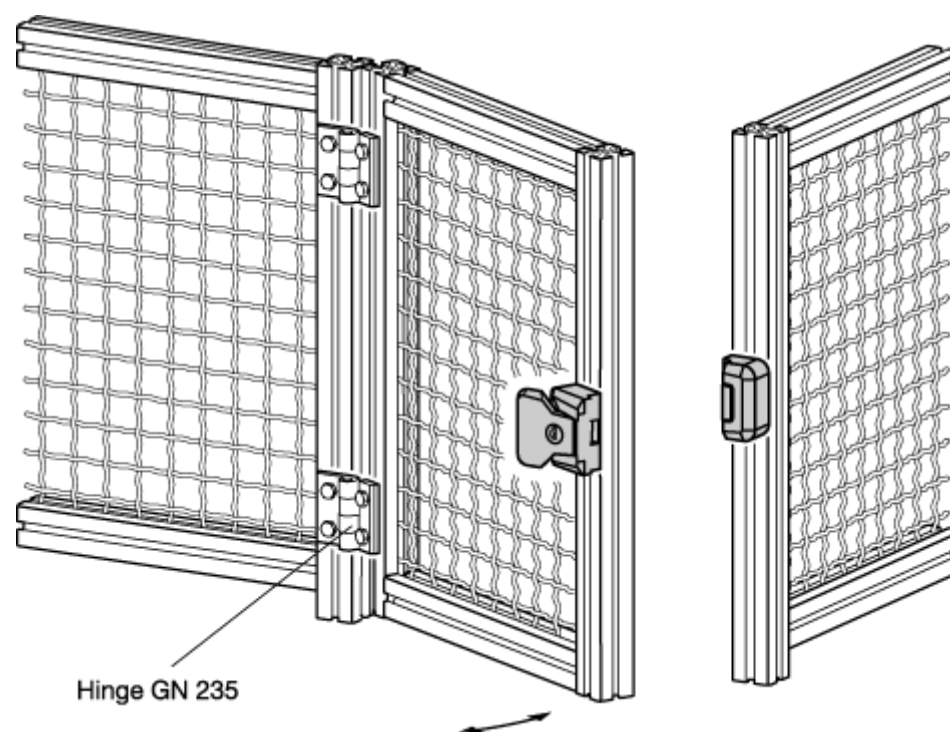


Prior to installation remove the slam latch cover as shown in the sketch. Socket head cap screws DIN 912, hexagon head screws DIN 933 and hexagon nuts ISO 4032 each with thread size M 6 can be used for mounting the slam latch.

After installation the covers are reassembled in reverse order. The covers cannot be removed when the slam latch is closed and consequently protect against vandalism.

The slots allow the slam latch to be fitted to the door frame or profile systems both from the operating side and from the rear. The installation clearance of 1 mm is also easy to adjust.

Technical and assembly instructions



X-ON Electronics

Largest Supplier of Electrical and Electronic Components

Click to view similar products for [Mounting Fixings](#) category:

Click to view products by [Elesa & Ganter](#) manufacturer:

Other Similar products are found below :

[007310](#) [007541](#) [6-141-P](#) [620HA038NF09](#) [620HA038NF11](#) [71-074914-006](#) [71-146610-6H](#) [712HA170B23128-N](#) [75-69116-8S](#) [75-69211-3P](#)
[75-69224-28P](#) [75-69224-5S](#) [770-006A109](#) [770-006A109R](#) [770-006A207](#) [770-006A208W1](#) [770-006A209](#) [770-006A306](#) [770-006A703W1](#)
[770-006A704](#) [770-006A704W1](#) [770-006A705](#) [770-006A706](#) [770-006A706W1](#) [770-006A707](#) [770-006A709](#) [770-007A203](#) [770-007A203W1](#)
[770-007A204W1](#) [770-007A207W1](#) [770-007A703](#) [770-007A704W1](#) [770-007A706](#) [770-007A707W1](#) [770-010Y208](#) [770-010Y308](#) [770-](#)
[010Y705](#) [770-010Y706](#) [770-010Y707W1](#) [770-011T201](#) [770-011T203](#) [770-011T701W1](#) [770-011T702](#) [770-011T702W1](#) [770-011T703](#) [770-](#)
[013311](#) [770-013312](#) [770-013709](#) [770-013711](#) [770-013711W1](#)