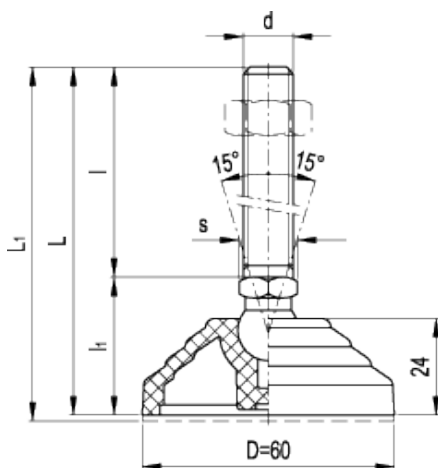


LV.A

Levelling elements



technical informations

Base

Glass-fibre reinforced polyamide based (PA) technopolymer. Resistant to solvents, oils, greases and other chemical agents.

Colour

Black, matte finish.

Articulated stem

Threaded zinc-plated steel and regulation hexagon.

No-slip disk

NBR synthetic rubber, hardness 70 Shore A.

- LV.A: without no-slip disk.

- LV.A-AS: with no-slip disk, supplied assembled.

Accessories on request

Zinc-plated steel nut to be ordered separately (see Nuts [NT](#)).

Features and applications

The light knurling under the lower lip of the levelling element provides excellent stability and grip when using the levelling element without no-slip disk even on surfaces that are not perfectly flat.
The particular configuration of bases and no-slip disks assures a strong assembly, preventing separation in case of strong impact or adhesion with the floor (see [No-slip disks](#)).

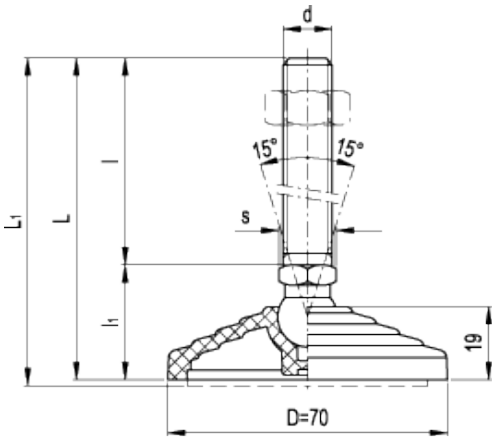
Order information

To order bases and stems separately, see the [table of the possible combinations Bases/Stems](#).
The levelling element is supplied unassembled to make carriage and storage easier; the components are in separate packing: less volume taken and better protection from scratches and dirt.

Without no-slip disk		With no-slip disk		Main dimensions				Threaded stem		Articulation	Wrench	Max limit static load*	Weight	
Code	Description	Code	Description	D	L	L _{1#}	l ₁	d	l	Ø	s	[N]	g	g
303121	LV.A-60-14-M8x43	307121	LV.A-60-14-AS-M8x43	60	76	79	33	M8	43	14	14	14000	62	8
303125	LV.A-60-14-M8x68	307125	LV.A-60-14-AS-M8x68	60	101	104	33	M8	68	14	14	14000	74	9
303221	LV.A-60-14-M10x43	307221	LV.A-60-14-AS-M10x43	60	76	79	33	M10	43	14	14	14000	71	9
303225	LV.A-60-14-M10x68	307225	LV.A-60-14-AS-M10x68	60	101	104	33	M10	68	14	14	14000	83	10
303231	LV.A-60-14-M10x98	307231	LV.A-60-14-AS-M10x98	60	131	134	33	M10	98	14	14	14000	97	11
303321	LV.A-60-14-M12x43	307321	LV.A-60-14-AS-M12x43	60	76	79	33	M12	43	14	14	14000	81	10
303325	LV.A-60-14-M12x68	307325	LV.A-60-14-AS-M12x68	60	101	104	33	M12	68	14	14	14000	98	11
303331	LV.A-60-14-M12x98	307331	LV.A-60-14-AS-M12x98	60	131	134	33	M12	98	14	14	14000	119	13
303521	LV.A-60-14-M16x68	307521	LV.A-60-14-AS-M16x68	60	101	104	33	M16	68	14	16	14000	142	16
303525	LV.A-60-14-M16x108	307525	LV.A-60-14-AS-M16x108	60	141	144	33	M16	108	14	16	14000	194	21
303541	LV.A-60-14-M16x148	307541	LV.A-60-14-AS-M16x148	60	181	184	33	M16	148	14	16	14000	246	26
303561	LV.A-60-14-M16x168	307561	LV.A-60-14-AS-M16x168	60	201	204	33	M16	168	14	16	14000	272	29
303621	LV.A-60-24-M16x58	307621	LV.A-60-24-AS-M16x58	60	101	104	43	M16	58	24	24	18000	205	22
303625	LV.A-60-24-M16x98	307625	LV.A-60-24-AS-M16x98	60	141	144	43	M16	98	24	24	18000	256	27
303641	LV.A-60-24-M16x138	307641	LV.A-60-24-AS-M16x138	60	181	184	43	M16	138	24	24	18000	306	33
303661	LV.A-60-24-M16x158	307661	LV.A-60-24-AS-M16x158	60	201	204	43	M16	158	24	24	18000	333	35
303725	LV.A-60-24-M20x98	307725	LV.A-60-24-AS-M20x98	60	141	144	43	M20	98	24	24	18000	326	34
303741	LV.A-60-24-M20x138	307741	LV.A-60-24-AS-M20x138	60	181	184	43	M20	138	24	24	18000	405	43
303761	LV.A-60-24-M20x158	307761	LV.A-60-24-AS-M20x158	60	201	204	43	M20	158	24	24	18000	444	46
303781	LV.A-60-24-M20x198	307781	LV.A-60-24-AS-M20x198	60	241	244	43	M20	198	24	24	18000	527	54

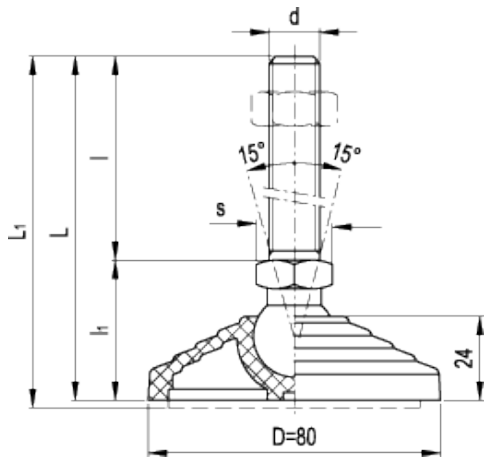
303825	LV.A-60-24-M24x98	307825	LV.A-60-24-AS-M24x98	60	141	144	43	M24	98	24	24	18000	424	44
303861	LV.A-60-24-M24x158	307861	LV.A-60-24-AS-M24x158	60	201	204	43	M24	158	24	24	18000	596	61
303881	LV.A-60-24-M24x198	307881	LV.A-60-24-AS-M24x198	60	241	244	43	M24	198	24	24	18000	714	71

* "Max limit static load" means the value over which the applied load to the element, in certain conditions of use, may cause plastic material deformation. # Data with no-slip disk mounted.



Without no-slip disk		With no-slip disk		Main dimensions				Threaded stem		Articulation	Wrench	Max limit static load*	Weight	
Code	Description	Code	Description	D	L	L _{1#}	l ₁	d	l	Ø	s	[N]	g	g
304005	LV.A-70-14-M8x43	308005	LV.A-70-14-AS-M8x43	70	71	74	28	M8	43	14	14	14000	60	8
304011	LV.A-70-14-M8x68	308011	LV.A-70-14-AS-M8x68	70	96	99	28	M8	68	14	14	14000	72	9
304021	LV.A-70-14-M10x43	308021	LV.A-70-14-AS-M10x43	70	71	74	28	M10	43	14	14	14000	69	8
304025	LV.A-70-14-M10x68	308025	LV.A-70-14-AS-M10x68	70	96	99	28	M10	68	14	14	14000	81	10
304031	LV.A-70-14-M10x98	308031	LV.A-70-14-AS-M10x98	70	126	129	28	M10	98	14	14	14000	95	11
304061	LV.A-70-14-M12x43	308061	LV.A-70-14-AS-M12x43	70	71	74	28	M12	43	14	14	14000	79	9
304065	LV.A-70-14-M12x68	308065	LV.A-70-14-AS-M12x68	70	96	99	28	M12	68	14	14	14000	96	11
304071	LV.A-70-14-M12x98	308071	LV.A-70-14-AS-M12x98	70	126	129	28	M12	98	14	14	14000	117	13
304101	LV.A-70-14-M16x68	308101	LV.A-70-14-AS-M16x68	70	96	99	28	M16	68	14	16	14000	140	16
304105	LV.A-70-14-M16x108	308105	LV.A-70-14-AS-M16x108	70	136	139	28	M16	108	14	16	14000	192	21
304111	LV.A-70-14-M16x148	308111	LV.A-70-14-AS-M16x148	70	176	179	28	M16	148	14	16	14000	244	26
304115	LV.A-70-14-M16x168	308115	LV.A-70-14-AS-M16x168	70	196	199	28	M16	168	14	16	14000	270	29

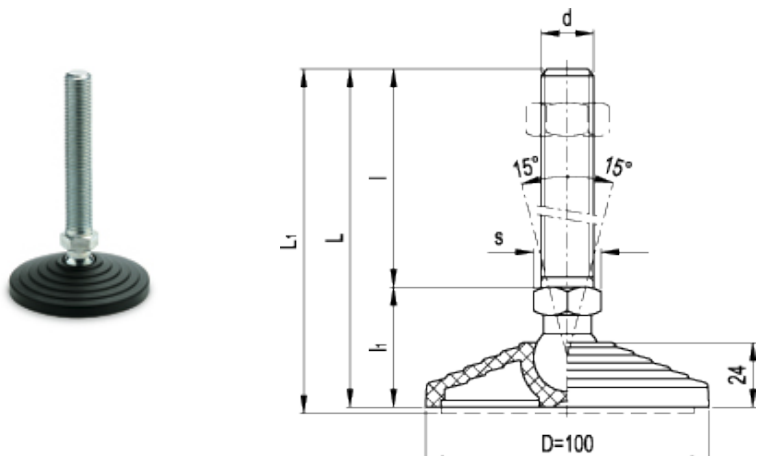
* "Max limit static load" means the value over which the applied load to the element, in certain conditions of use, may cause plastic material deformation. # Data with no-slip disk mounted.



Without no-slip disk		With no-slip disk		Main dimensions				Threaded stem		Articulation	Wrench	Max limit static load*	Weight	
Code	Description	Code	Description	D	L	L _{1#}	l ₁	d	l	Ø	s	[N]	g	g
304121	LV.A-80-14-M8x43	308121	LV.A-80-14-AS-M8x43	80	76	79	33	M8	43	14	14	16000	83	10
304125	LV.A-80-14-M8x68	308125	LV.A-80-14-AS-M8x68	80	101	104	33	M8	68	14	14	16000	95	12
304221	LV.A-80-14-M10x43	308221	LV.A-80-14-AS-M10x43	80	76	79	33	M10	43	14	14	16000	92	11
304225	LV.A-80-14-M10x68	308225	LV.A-80-14-AS-M10x68	80	101	104	33	M10	68	14	14	16000	104	13
304231	LV.A-80-14-M10x98	308231	LV.A-80-14-AS-M10x98	80	131	134	33	M10	98	14	14	16000	118	14
304321	LV.A-80-14-M12x43	308321	LV.A-80-14-AS-M12x43	80	76	79	33	M12	43	14	14	16000	102	11
304325	LV.A-80-14-M12x68	308325	LV.A-80-14-AS-M12x68	80	101	104	33	M12	68	14	14	16000	119	14
304331	LV.A-80-14-M12x98	308331	LV.A-80-14-AS-M12x98	80	131	134	33	M12	98	14	14	16000	140	16
304521	LV.A-80-14-M16x68	308521	LV.A-80-14-AS-M16x68	80	101	104	33	M16	68	14	16	16000	163	18
304525	LV.A-80-14-M16x108	308525	LV.A-80-14-AS-M16x108	80	141	144	33	M16	108	14	16	16000	215	24
304541	LV.A-80-14-M16x148	308541	LV.A-80-14-AS-M16x148	80	181	184	33	M16	148	14	16	16000	267	29
304561	LV.A-80-14-M16x168	308561	LV.A-80-14-AS-M16x168	80	201	204	33	M16	168	14	16	16000	293	31
304621	LV.A-80-24-M16x58	308621	LV.A-80-24-AS-M16x58	80	101	104	43	M16	58	24	24	18000	225	25
304625	LV.A-80-24-M16x98	308625	LV.A-80-24-AS-M16x98	80	141	144	43	M16	98	24	24	18000	276	30
304641	LV.A-80-24-M16x138	308641	LV.A-80-24-AS-M16x138	80	181	184	43	M16	138	24	24	18000	326	35
304661	LV.A-80-24-M16x158	308661	LV.A-80-24-AS-M16x158	80	201	204	43	M16	158	24	24	18000	353	37
304725	LV.A-80-24-M20x98	308725	LV.A-80-24-AS-M20x98	80	141	144	43	M20	98	24	24	18000	346	37
304741	LV.A-80-24-M20x138	308741	LV.A-80-24-AS-M20x138	80	181	184	43	M20	138	24	24	18000	425	45
304761	LV.A-80-24-M20x158	308761	LV.A-80-24-AS-M20x158	80	201	204	43	M20	158	24	24	18000	464	49
304781	LV.A-80-24-M20x198	308781	LV.A-80-24-AS-M20x198	80	241	244	43	M20	198	24	24	18000	547	57
304825	LV.A-80-24-M24x98	308825	LV.A-80-24-AS-M24x98	80	141	144	43	M24	98	24	24	18000	444	47

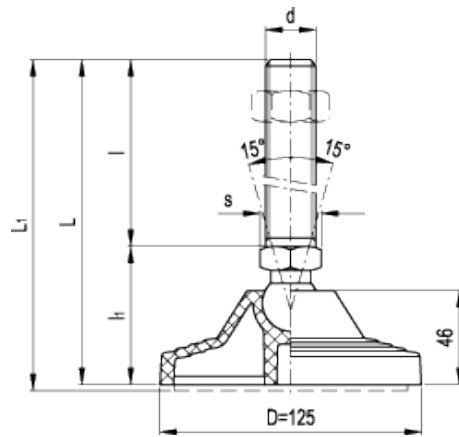
304861	LV.A-80-24-M24x158	308861	LV.A-80-24-AS-M24x158	80	201	204	43	M24	158	24	24	18000	616	64
304881	LV.A-80-24-M24x198	308881	LV.A-80-24-AS-M24x198	80	241	244	43	M24	198	24	24	18000	734	76

* "Max limit static load" means the value over which the applied load to the element, in certain conditions of use, may cause plastic material deformation.# Data with no-slip disk mounted.



Without no-slip disk		With no-slip disk		Main dimensions				Threaded stem		Articulation	Wrench	Max limit static load*	Weight	
Code	Description	Code	Description	D	L	L ₁ #	L ₁	d	l	Ø	s	[N]	g	g
305521	LV.A-100-24-M16x58	309521	LV.A-100-24-AS-M16x58	100	101	104	43	M16	58	24	24	25000	251	30
305525	LV.A-100-24-M16x98	309525	LV.A-100-24-AS-M16x98	100	141	144	43	M16	98	24	24	25000	302	35
305541	LV.A-100-24-M16x138	309541	LV.A-100-24-AS-M16x138	100	181	184	43	M16	138	24	24	25000	352	40
305561	LV.A-100-24-M16x158	309561	LV.A-100-24-AS-M16x158	100	201	204	43	M16	158	24	24	25000	379	43
305625	LV.A-100-24-M20x98	309625	LV.A-100-24-AS-M20x98	100	141	144	43	M20	98	24	24	25000	372	43
305641	LV.A-100-24-M20x138	309641	LV.A-100-24-AS-M20x138	100	181	184	43	M20	138	24	24	25000	451	50
305661	LV.A-100-24-M20x158	309661	LV.A-100-24-AS-M20x158	100	201	204	43	M20	158	24	24	25000	490	54
305681	LV.A-100-24-M20x198	309681	LV.A-100-24-AS-M20x198	100	241	244	43	M20	198	24	24	25000	573	63
305725	LV.A-100-24-M24x98	309725	LV.A-100-24-AS-M24x98	100	141	144	43	M24	98	24	24	25000	470	53
305761	LV.A-100-24-M24x158	309761	LV.A-100-24-AS-M24x158	100	201	204	43	M24	158	24	24	25000	642	69
305781	LV.A-100-24-M24x198	309781	LV.A-100-24-AS-M24x198	100	241	244	43	M24	198	24	24	25000	760	81

* "Max limit static load" means the value over which the applied load to the element, in certain conditions of use, may cause plastic material deformation.# Data with no-slip disk mounted.



Without no-slip disk		With no-slip disk		Main dimensions				Threaded stem		Articulation	Wrench	Max limit static load*	Weight	
Code	Description	Code	Description	D	L	L _{1#}	l ₁	d	l	Ø	s	[N]	g	g ₇
306521	LV.A-125-24-M16x58	310221	LV.A-125-24-AS-M16x58	125	125	128	67	M16	58	24	24	28000	386	51
306525	LV.A-125-24-M16x98	310225	LV.A-125-24-AS-M16x98	125	165	168	67	M16	98	24	24	28000	437	56
306541	LV.A-125-24-M16x138	310241	LV.A-125-24-AS-M16x138	125	205	208	67	M16	138	24	24	28000	487	61
306561	LV.A-125-24-M16x158	310261	LV.A-125-24-AS-M16x158	125	225	228	67	M16	158	24	24	28000	514	64
306625	LV.A-125-24-M20x98	310325	LV.A-125-24-AS-M20x98	125	165	168	67	M20	98	24	24	28000	507	63
306641	LV.A-125-24-M20x138	310341	LV.A-125-24-AS-M20x138	125	205	208	67	M20	138	24	24	28000	586	71
306661	LV.A-125-24-M20x158	310361	LV.A-125-24-AS-M20x158	125	225	228	67	M20	158	24	24	28000	625	75
306681	LV.A-125-24-M20x198	310381	LV.A-125-24-AS-M20x198	125	265	268	67	M20	198	24	24	28000	708	83
306725	LV.A-125-24-M24x98	310425	LV.A-125-24-AS-M24x98	125	165	168	67	M24	98	24	24	28000	605	73
306761	LV.A-125-24-M24x158	310461	LV.A-125-24-AS-M24x158	125	225	228	67	M24	158	24	24	28000	777	90
306781	LV.A-125-24-M24x198	310481	LV.A-125-24-AS-M24x198	125	265	268	67	M24	198	24	24	28000	895	101

* "Max limit static load" means the value over which the applied load to the element, in certain conditions of use, may cause plastic material deformation. # Data with no-slip disk mounted.



ELESA and GANTER models all rights reserved in accordance with the law. Always mention the source when reproducing our drawings.

STANDARD MACHINE ELEMENTS WORLDWIDE

X-ON Electronics

Largest Supplier of Electrical and Electronic Components

Click to view similar products for [Mounting Fixings](#) category:

Click to view products by [Elesa & Ganter](#) manufacturer:

Other Similar products are found below :

[5912235-1 REV - 007541](#) [627](#) [M3783-7001](#) [75-69224-5S](#) [7717-8DAP](#) [85048GBESR](#) [FPK-02-R10](#) [PMS27488-001-01](#) [1-18023-0](#) [H-118-2](#)
[DB1](#) [1302030464](#) [1302010957](#) [1302263564](#) [1302340393](#) [1404-0016-78](#) [14540](#) [1561-60](#) [1566](#) [1566](#) [BR16A](#) [NT20SATT01](#)
[201C5058-01-201 REV E](#) [22594-8](#) [KBB-141](#) [89078GBEPR](#) [89078GBESR](#) [915060](#) [SF4011-60101](#) [97-CS-50](#) [1671](#) [1855-54](#) [T-2085-SP](#)
[20800240002](#) [21899-4](#) [2193](#) [2518](#) [25745-1](#) [H-118-1](#) [354467](#) [37184](#) [4658](#) [4665](#) [4731](#) [BRACKET-RA-30](#) [5500083](#) [HS5659MB98SN](#) [561-](#)
[T001](#) [4222522019-542](#)