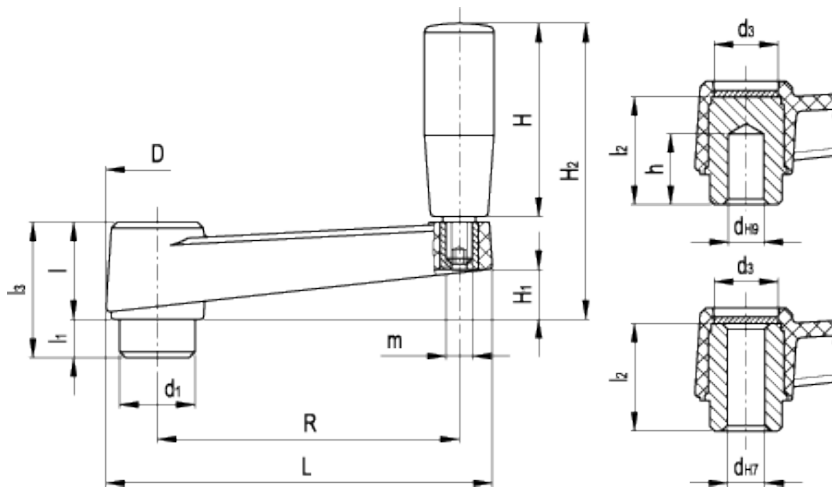


MT.

Crank handles with revolving handle



technical informations

Material

Glass-fibre reinforced polyamide based (PA) technopolymer. Resistant to solvents, oils, greases and other chemical agents.

Colour

Black, matte finish.

Assembly

Black-oxide steel hub:

- with H9 pre-drilled blind hole.
- with H7 reamed through hole.

Self-adhesive front plate

Anodised aluminium.

Revolving handle

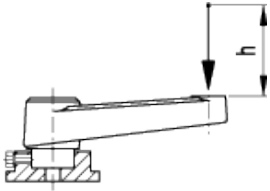
Type L.601+x high-resilience polypropylene based (PP) technopolymer, black colour, matte finish.

Accessories on request

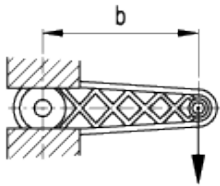
Axial retaining washer type GN 184.

Features and applications

The reticular structure of the crank arm and the technopolymer used make this handle very strong and therefore suitable for transmitting high torque values.



$$L[J] = P[N] \cdot h [m]$$



$$C[Nm] = F[N] \cdot b [m]$$

| Standard Elements | | Main dimensions | | | | | | | | | | Mounting hole | | | Handle | | C # | L # | Weight | |
|-------------------|-------------|-----------------|-----|----|----------------|----------------|----|----------------|----------------|----------------|----------------|-----------------|-----------------|----------------|--------|----|-----|------|--------|-----|
| Code | Description | R | L | D | d ₁ | d ₃ | l | l ₁ | l ₃ | H ₁ | H ₂ | d _{H7} | d _{H9} | l ₂ | h | H | m | [Nm] | [J] | g |
| 44051 | MT.50 A-6 | 50 | 69 | 23 | 16 | 13 | 21 | 10 | 31 | 10 | 49 | 6 | - | 28 | - | 28 | - | 60 | 7 | 65 |
| 44091 | MT.64 | 64 | 86 | 27 | 18 | 16 | 23 | 10 | 33 | 10 | 63 | - | 6 | 29 | 18 | 40 | M6 | 120 | 11 | 100 |
| 44101 | MT.64 A-8 | 64 | 86 | 27 | 18 | 16 | 23 | 10 | 33 | 10 | 63 | 8 | - | 29 | - | 40 | M6 | 120 | 11 | 95 |
| 44191 | MT.80 | 80 | 105 | 30 | 22 | 17 | 26 | 10 | 36 | 13 | 76 | - | 6 | 32 | 26 | 50 | M6 | 180 | 15 | 145 |
| 44201 | MT.80 A-10 | 80 | 105 | 30 | 22 | 17 | 26 | 10 | 36 | 13 | 76 | 10 | - | 32 | - | 50 | M6 | 180 | 15 | 130 |
| 44291 | MT.100 | 100 | 128 | 34 | 24 | 21 | 30 | 10 | 40 | 15 | 96 | - | 8 | 37 | 28 | 65 | M8 | 200 | 27 | 240 |
| 44301 | MT.100 A-12 | 100 | 128 | 34 | 24 | 21 | 30 | 10 | 40 | 15 | 96 | 12 | - | 37 | - | 65 | M8 | 200 | 27 | 225 |
| 44391 | MT.130 | 130 | 162 | 40 | 28 | 25 | 35 | 14 | 49 | 20 | 115 | - | 10 | 44 | 30 | 80 | M8 | 350 | 45 | 345 |
| 44401 | MT.130 A-14 | 130 | 162 | 40 | 28 | 25 | 35 | 14 | 49 | 20 | 115 | 14 | - | 44 | - | 80 | M8 | 350 | 45 | 310 |
| 44491 | MT.160 | 160 | 198 | 45 | 34 | 27 | 40 | 15 | 55 | 23 | 130 | - | 10 | 49 | 30 | 90 | M10 | 450 | 55 | 495 |
| 44501 | MT.160 A-16 | 160 | 198 | 45 | 34 | 27 | 40 | 15 | 55 | 23 | 130 | 16 | - | 49 | - | 90 | M10 | 450 | 55 | 435 |
| 44601 | MT.210 | 212 | 252 | 50 | 40 | 31 | 45 | 15 | 60 | 26 | 136 | - | 12 | 53 | 30 | 90 | M10 | 950 | 80 | 705 |

See [Technical Data](#) for maximum applicable torque (C) and impact strength (L).

This product had the following design awards:





ELESA and GANTER models all rights reserved in accordance with the law. Always mention the source when reproducing our drawings.

STANDARD MACHINE ELEMENTS WORLDWIDE

X-ON Electronics

Largest Supplier of Electrical and Electronic Components

Click to view similar products for [Knobs & Dials](#) category:

Click to view products by [Elesa & Ganter](#) manufacturer:

Other Similar products are found below :

[790-1030](#) [790-1202](#) [790-2226](#) [8519](#) [8529](#) [8547](#) [85-559](#) [8573](#) [11K5015-EMNB](#) [11K5020-KLAB](#) [11K5048-KMNB](#) [11K5014-EMNB](#)
[11K5015-EMNG](#) [MS91528-2N2B](#) [1770](#) [P400S-08-D6-N](#) [K6510](#) [KNP700A1/4](#) [3045B](#) [AR22PY-122B](#) [PKJ50B18](#) [277A](#) [348003](#) [42000B38](#)
[420114B14](#) [5006](#) [56008-001](#) [KS700B14](#) [411](#) [420037B14](#) [WA-101C-P](#) [WA-102B](#) [WA-103](#) [WA-109B](#) [WA-1450-P](#) [WA-1550](#) [WA-1600-P](#)
[WA-2300](#) [WA-4100](#) [WA-4108-P](#) [0166736-006](#) [0195316-052](#) [0703006-003](#) [0744386-211](#) [52-928.20](#) [52-928.60](#) [8517](#) [8545](#) [8546](#) [8572](#)