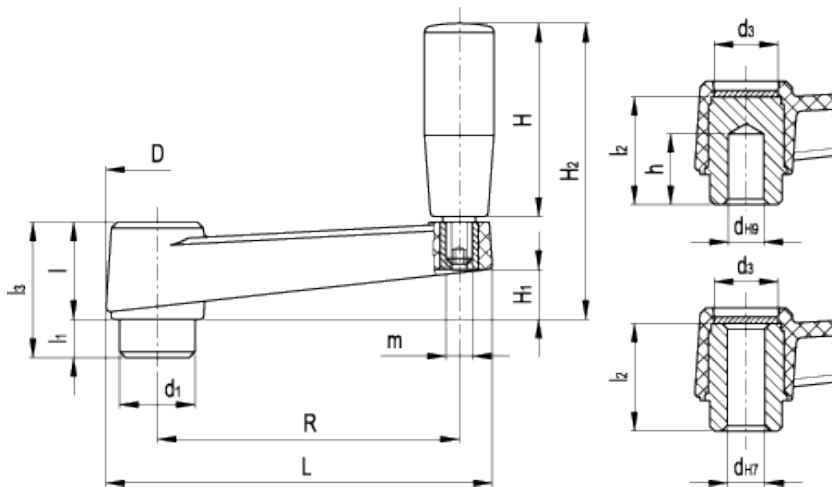


# MT.

Crank handles with revolving handle



## technical informations

### Material

Glass-fibre reinforced polyamide based (PA) technopolymer. Resistant to solvents, oils, greases and other chemical agents.

### Colour

Black, matte finish.

### Assembly

Black-oxide steel hub:

- with H9 pre-drilled blind hole.
- with H7 reamed through hole.

### Self-adhesive front plate

Anodised aluminium.

### Revolving handle

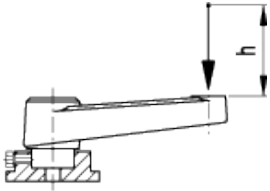
Type L.601+x high-resilience polypropylene based (PP) technopolymer, black colour, matte finish.

*Accessories on request*

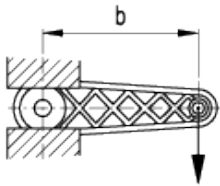
Axial retaining washer type GN 184.

*Features and applications*

The reticular structure of the crank arm and the technopolymer used make this handle very strong and therefore suitable for transmitting high torque values.



$$L[J] = P[N] \cdot h [m]$$



$$C[Nm] = F[N] \cdot b [m]$$

Standard Elements		Main dimensions										Mounting hole			Handle		C #	L #	Weight	
Code	Description	R	L	D	d <sub>1</sub>	d <sub>3</sub>	l	l <sub>1</sub>	l <sub>3</sub>	H <sub>1</sub>	H <sub>2</sub>	d <sub>H7</sub>	d <sub>H9</sub>	l <sub>2</sub>	h	H	m	[Nm]	[J]	g
44051	MT.50 A-6	50	69	23	16	13	21	10	31	10	49	6	-	28	-	28	-	60	7	65
44091	MT.64	64	86	27	18	16	23	10	33	10	63	-	6	29	18	40	M6	120	11	100
44101	MT.64 A-8	64	86	27	18	16	23	10	33	10	63	8	-	29	-	40	M6	120	11	95
44191	MT.80	80	105	30	22	17	26	10	36	13	76	-	6	32	26	50	M6	180	15	145
44201	MT.80 A-10	80	105	30	22	17	26	10	36	13	76	10	-	32	-	50	M6	180	15	130
44291	MT.100	100	128	34	24	21	30	10	40	15	96	-	8	37	28	65	M8	200	27	240
44301	MT.100 A-12	100	128	34	24	21	30	10	40	15	96	12	-	37	-	65	M8	200	27	225
44391	MT.130	130	162	40	28	25	35	14	49	20	115	-	10	44	30	80	M8	350	45	345
44401	MT.130 A-14	130	162	40	28	25	35	14	49	20	115	14	-	44	-	80	M8	350	45	310
44491	MT.160	160	198	45	34	27	40	15	55	23	130	-	10	49	30	90	M10	450	55	495
44501	MT.160 A-16	160	198	45	34	27	40	15	55	23	130	16	-	49	-	90	M10	450	55	435
44601	MT.210	212	252	50	40	31	45	15	60	26	136	-	12	53	30	90	M10	950	80	705

# See [Technical Data](#) for maximum applicable torque (C) and impact strength (L).

This product had the following design awards:





ELESA and GANTER models all rights reserved in accordance with the law. Always mention the source when reproducing our drawings.

**STANDARD MACHINE ELEMENTS WORLDWIDE**

## X-ON Electronics

Largest Supplier of Electrical and Electronic Components

*Click to view similar products for [Knobs & Dials](#) category:*

*Click to view products by [Elesa & Ganter](#) manufacturer:*

Other Similar products are found below :

[790-1030](#) [790-1202](#) [790-2226](#) [8519](#) [8529](#) [8547](#) [85-559](#) [8573](#) [11K5015-EMNB](#) [11K5020-KLAB](#) [11K5048-KMNB](#) [11K5014-EMNB](#)  
[11K5015-EMNG](#) [MS91528-2N2B](#) [1770](#) [P400S-08-D6-N](#) [K6510](#) [KNP700A1/4](#) [3045B](#) [AR22PY-122B](#) [PKJ50B18](#) [277A](#) [348003](#) [42000B38](#)  
[420114B14](#) [5006](#) [56008-001](#) [KS700B14](#) [411](#) [420037B14](#) [WA-101C-P](#) [WA-102B](#) [WA-103](#) [WA-109B](#) [WA-1450-P](#) [WA-1550](#) [WA-1600-P](#)  
[WA-2300](#) [WA-4100](#) [WA-4108-P](#) [0195316-052](#) [0703006-003](#) [0744386-211](#) [52-928.20](#) [52-928.60](#) [8517](#) [8545](#) [8546](#) [8572](#) [WA-4104](#)