

Clamping kit for TCC

Technopolymer

ADJUSTABLE HANDLE AND WING NUT

Glass-fibre reinforced polyamide based (PA) technopolymer, grey-black colour, matte finish.

DISTANCE BUSHING

Glass-fibre reinforced polyamide based (PA) technopolymer, black colour, matte finish.

SELF-LOCKING NUT

AISI 304 stainless steel.

STANDARD EXECUTIONS

- **TCC-KS-ERX**: adjustable handle with AISI 303 stainless steel threaded stud, chamfered flat end UNI 947 : ISO 4753 (see Technical data on page -), with black push button.
- **TCC-KS-EWN**: wing nuts with AISI 303 stainless steel threaded stud, chamfered flat end UNI 947 : ISO 4753 (see Technical data on page -), with black cap.

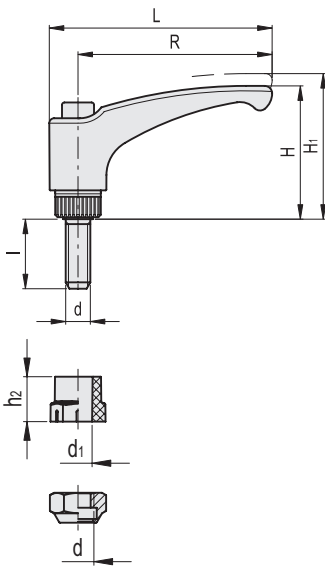
FEATURES AND APPLICATIONS

The clamping kit for TCC, comprising a distance bushing, an adjustable handle or a wing nut and nut, is used when clamping operations are required.

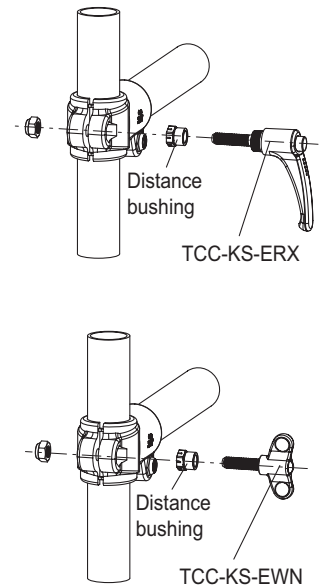
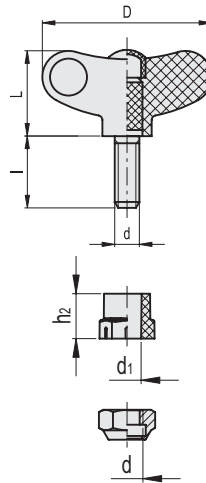
ELESA Original design



TCC-KS-ERX



TCC-KS-EWN



TCC-KS-ERX

STAINLESS STEEL

Code	Description	d	R	D	L	H	H1	h3	I	Il	For TCC	⚖️
600509-C1	TCC-KS-ERX.30-SST-p-M6x30-C1	M6	30	15	37.5	30	33.5	23	30	9	TCC-18	21
600519-C1	TCC-KS-ERX.44-SST-p-M6x30-C1	M6	44	16	52	32.5	36	25	30	11	TCC-18	23
600525-C1	TCC-KS-ERX.63-SST-p-M6x30-C1	M6	63	19	72.5	43	47	34.5	30	13.5	TCC-18	25
600541-C1	TCC-KS-ERX.63-SST-p-M8x40-C1	M8	63	19	72.5	43	47	34.5	40	13.5	TCC-30	47
600557-C1	TCC-KS-ERX.78-SST-p-M8x40-C1	M8	78	23	89.5	54	58	44	40	16	TCC-30	56

TCC-KS-EWN

STAINLESS STEEL

Code	Description	d	D	L	b	I	For TCC	⚖️
600607-C1	TCC-KS-EWN.48-SST-p-M6x30-C1	M6	47	24	7	30	TCC-18	18
600619-C1	TCC-KS-EWN.55-SST-p-M8x40-C1	M8	55	28	8	40	TCC-30	36

X-ON Electronics

Largest Supplier of Electrical and Electronic Components

Click to view similar products for [Other Tools](#) category:

Click to view products by [Elesa & Ganter](#) manufacturer:

Other Similar products are found below :

[899-2-KT46](#) [CR-0AFL4--332K](#) [568681-1](#) [5800-0090](#) [58061-1](#) [59085](#) [00-8273-RDPP](#) [593033](#) [593072](#) [593564100](#) [593575](#) [593593](#) [010-0003-0000](#) [011349-000](#) [CRCW08052740FRT1](#) [LUC-012S070DSM](#) [LUC-018S070DSP](#) [LUC-024S105DSP](#) [599-2021-3-NME](#) [599-JJ-2021-03](#) [CRCW2010331JR02](#) [601-JJ-06](#) [601-SPB](#) [601YSY](#) [602-JJ-03](#) [602SPB](#) [603-JJ-07-FP](#) [603-JJY-04](#) [CRTN1013](#) [CS16](#) [6-1579014-0](#) [62036240-1](#) [M43435 TY 1 SZ 3 FIN B BLK](#) [M43435 TY 2 SZ 3 FIN C BLK](#) [M43435 TY 5 SZ 3 FIN C NAT](#) [M-5Z](#) [M6816](#) [660-29ABT1](#) [662508-1](#) [CVHD-950X-93.333](#) [CW104-01X](#) [671-GP-04-KT39-73207](#) [CW307-01A](#) [CW30901A](#) [CW6211201A](#) [690191-1](#) [690191-3](#) [690317-2](#) [691409-4](#)