

# VCT.

## Lobe knobs

Technopolymer

ELESA Original design



### Main specifications

#### Material

High-resilience polypropylene based (PP) technopolymer, black colour, matte finish. VCT.25: glass-fibre reinforced polyamide based (PA) technopolymer.

#### Coloured centre cap

Technopolymer, matte finish. Not available for VCT.25.

To order, add the index of the desired colour (C9, ..., C6) to the code and the description.

On request and for sufficient quantities it can be supplied in other colours or with customised graphic symbols, marks or writings.

#### Standard executions

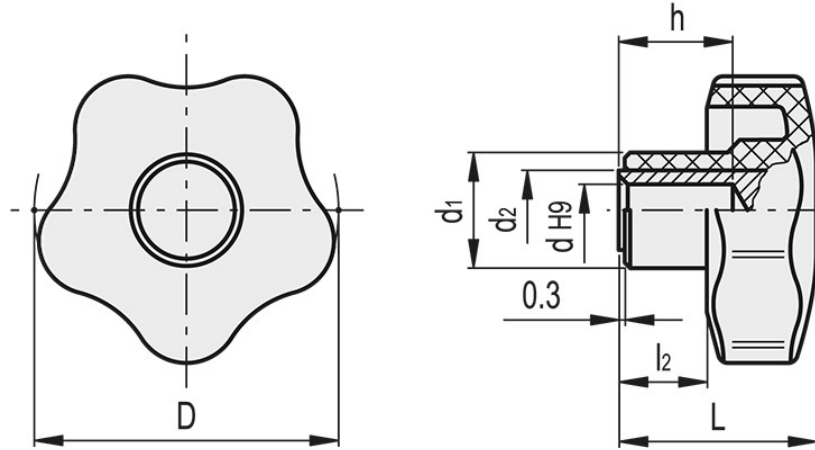
- **VCT-A:** black-oxide steel boss, plain blind hole.
- **VCT-B:** brass boss, threaded blind hole (VCT.25 - 95) or threaded pass-through hole (VCT.32 - 40 - 50 - 63 - 74).
- **VCT.FP:** brass boss, threaded pass-through hole.
- **VCT-p:** zinc-plated steel threaded stud, chamfered flat end according to UNI 947 : ISO 4753 (see [TECHNICAL DATA](#)).

### Accessories on request

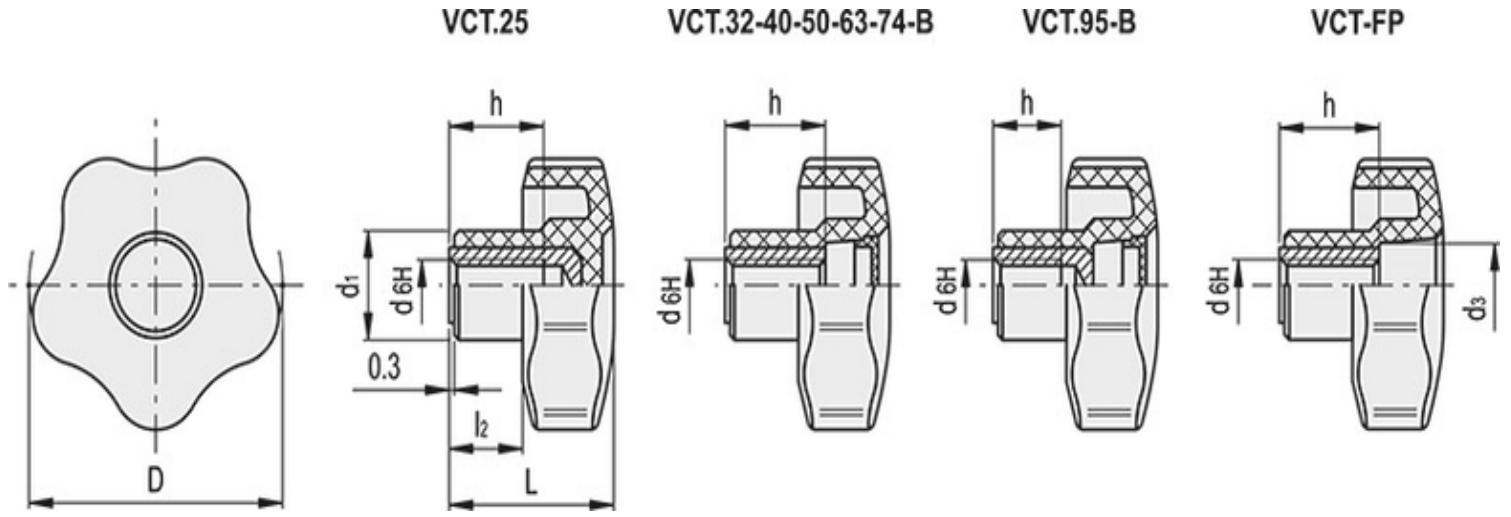
#### Accessories on request

Coloured centre caps (see table).

VCT-A

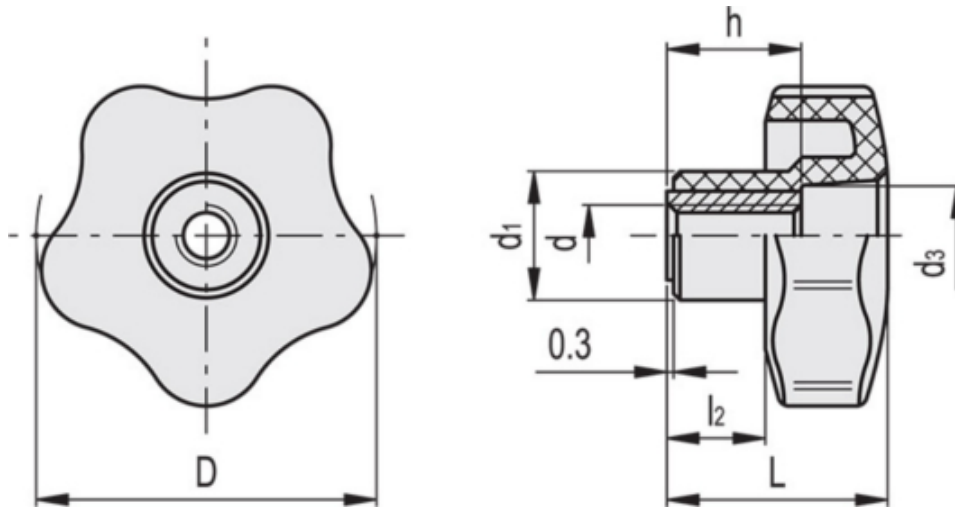


Code	Description	D	d <sub>H9</sub>	L	d <sub>1</sub>	d <sub>2</sub>	l <sub>2</sub>	h	Weight
69892-C2	VCT.40 A-8-C2	40	8	27	17	12	12	14	36
69892-C3	VCT.40 A-8-C3	40	8	27	17	12	12	14	36
69892-C4	VCT.40 A-8-C4	40	8	27	17	12	12	14	36
69892-C5	VCT.40 A-8-C5	40	8	27	17	12	12	14	36
69892-C6	VCT.40 A-8-C6	40	8	27	17	12	12	14	36
69892-C9	VCT.40 A-8-C9	40	8	27	17	12	12	14	36
69951-C2	VCT.50 A-8-C2	50	8	32	19	12	14	14	37
69951-C3	VCT.50 A-8-C3	50	8	32	19	12	14	14	37
69951-C4	VCT.50 A-8-C4	50	8	32	19	12	14	14	37
69951-C5	VCT.50 A-8-C5	50	8	32	19	12	14	14	37
69951-C6	VCT.50 A-8-C6	50	8	32	19	12	14	14	37
69951-C9	VCT.50 A-8-C9	50	8	32	19	12	14	14	37
69952-C2	VCT.50 A-10-C2	50	10	32	19	15	14	16	34
69952-C3	VCT.50 A-10-C3	50	10	32	19	15	14	16	34
69952-C4	VCT.50 A-10-C4	50	10	32	19	15	14	16	34
69952-C5	VCT.50 A-10-C5	50	10	32	19	15	14	16	34
69952-C6	VCT.50 A-10-C6	50	10	32	19	15	14	16	34
69952-C9	VCT.50 A-10-C9	50	10	32	19	15	14	16	34
70001-C2	VCT.63 A-8-C2	63	8	37	22	15	16	20	52
70001-C3	VCT.63 A-8-C3	63	8	37	22	15	16	20	52
70001-C4	VCT.63 A-8-C4	63	8	37	22	15	16	20	52
70001-C5	VCT.63 A-8-C5	63	8	37	22	15	16	20	52
70001-C6	VCT.63 A-8-C6	63	8	37	22	15	16	20	52
70001-C9	VCT.63 A-8-C9	63	8	37	22	15	16	20	52
70002-C2	VCT.63 A-10-C2	63	10	37	22	16	16	21	49
70002-C3	VCT.63 A-10-C3	63	10	37	22	16	16	21	49
70002-C4	VCT.63 A-10-C4	63	10	37	22	16	16	21	49
70002-C5	VCT.63 A-10-C5	63	10	37	22	16	16	21	49
70002-C6	VCT.63 A-10-C6	63	10	37	22	16	16	21	49
70002-C9	VCT.63 A-10-C9	63	10	37	22	16	16	21	49
70051-C2	VCT.74 A-8-C2	74	8	43.5	26	15	22	20	65
70051-C3	VCT.74 A-8-C3	74	8	43.5	26	15	22	20	65
70051-C4	VCT.74 A-8-C4	74	8	43.5	26	15	22	20	65
70051-C5	VCT.74 A-8-C5	74	8	43.5	26	15	22	20	65
70051-C6	VCT.74 A-8-C6	74	8	43.5	26	15	22	20	65
70051-C9	VCT.74 A-8-C9	74	8	43.5	26	15	22	20	65



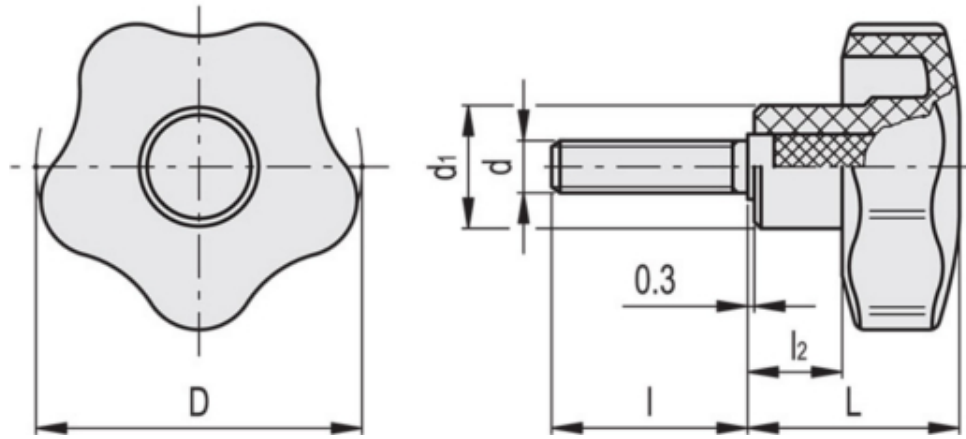
Code	Description	D	d <sub>6H</sub>	L	d <sub>1</sub>	l <sub>2</sub>	h	C# [Nm]	Weight
69811-C9	VCT.25 B-M4-C9	25	M4	19	13	8	10	6	7
69812-C9	VCT.25 B-M5-C9	25	M5	19	13	8	10	7	6
69813-C9	VCT.25 B-M6-C9	25	M6	19	13	8	10	7	5
69843-C2	VCT.32 B-M5-C2	32	M5	23	15	10	12	10	11
69843-C3	VCT.32 B-M5-C3	32	M5	23	15	10	12	10	11
69843-C4	VCT.32 B-M5-C4	32	M5	23	15	10	12	10	11
69843-C5	VCT.32 B-M5-C5	32	M5	23	15	10	12	10	11
69843-C6	VCT.32 B-M5-C6	32	M5	23	15	10	12	10	11
69843-C9	VCT.32 B-M5-C9	32	M5	23	15	10	12	10	11
69844-C2	VCT.32 B-M6-C2	32	M6	23	15	10	12	10	10
69844-C3	VCT.32 B-M6-C3	32	M6	23	15	10	12	10	10
69844-C4	VCT.32 B-M6-C4	32	M6	23	15	10	12	10	10
69844-C5	VCT.32 B-M6-C5	32	M6	23	15	10	12	10	10
69844-C6	VCT.32 B-M6-C6	32	M6	23	15	10	12	10	10
69844-C9	VCT.32 B-M6-C9	32	M6	23	15	10	12	10	10
69845-C2	VCT.32 B-M8-C2	32	M8	23	15	10	12	10	9
69845-C3	VCT.32 B-M8-C3	32	M8	23	15	10	12	10	9
69845-C4	VCT.32 B-M8-C4	32	M8	23	15	10	12	10	9
69845-C5	VCT.32 B-M8-C5	32	M8	23	15	10	12	10	9
69845-C6	VCT.32 B-M8-C6	32	M8	23	15	10	12	10	9
69845-C9	VCT.32 B-M8-C9	32	M8	23	15	10	12	10	9
69893-C2	VCT.40 B-M6-C2	40	M6	27	17	12	18	16	26
69893-C3	VCT.40 B-M6-C3	40	M6	27	17	12	18	16	26
69893-C4	VCT.40 B-M6-C4	40	M6	27	17	12	18	16	26
69893-C5	VCT.40 B-M6-C5	40	M6	27	17	12	18	16	26
69893-C6	VCT.40 B-M6-C6	40	M6	27	17	12	18	16	26
69893-C9	VCT.40 B-M6-C9	40	M6	27	17	12	18	16	26
69894-C2	VCT.40 B-M8-C2	40	M8	27	17	12	18	18	24
69894-C3	VCT.40 B-M8-C3	40	M8	27	17	12	18	18	24
69894-C4	VCT.40 B-M8-C4	40	M8	27	17	12	18	18	24
69894-C5	VCT.40 B-M8-C5	40	M8	27	17	12	18	18	24
69894-C6	VCT.40 B-M8-C6	40	M8	27	17	12	18	18	24
69894-C9	VCT.40 B-M8-C9	40	M8	27	17	12	18	18	24
69895-C2	VCT.40 B-M10-C2	40	M10	27	17	12	17	18	23
69895-C3	VCT.40 B-M10-C3	40	M10	27	17	12	17	18	23
69895-C4	VCT.40 B-M10-C4	40	M10	27	17	12	17	18	23
69895-C5	VCT.40 B-M10-C5	40	M10	27	17	12	17	18	23
69895-C6	VCT.40 B-M10-C6	40	M10	27	17	12	17	18	23
69895-C9	VCT.40 B-M10-C9	40	M10	27	17	12	17	18	23
69953-C2	VCT.50 B-M8-C2	50	M8	32	19	14	20	25	38
69953-C3	VCT.50 B-M8-C3	50	M8	32	19	14	20	25	38
69953-C4	VCT.50 B-M8-C4	50	M8	32	19	14	20	25	38
69953-C5	VCT.50 B-M8-C5	50	M8	32	19	14	20	25	38
69953-C6	VCT.50 B-M8-C6	50	M8	32	19	14	20	25	38
69953-C9	VCT.50 B-M8-C9	50	M8	32	19	14	20	25	38
69954-C2	VCT.50 B-M10-C2	50	M10	32	19	14	20	27	34
69954-C3	VCT.50 B-M10-C3	50	M10	32	19	14	20	27	34
69954-C4	VCT.50 B-M10-C4	50	M10	32	19	14	20	27	34
69954-C5	VCT.50 B-M10-C5	50	M10	32	19	14	20	27	34
69954-C6	VCT.50 B-M10-C6	50	M10	32	19	14	20	27	34
69954-C9	VCT.50 B-M10-C9	50	M10	32	19	14	20	27	34
69955-C2	VCT.50 B-M12-C2	50	M12	32	19	14	20	27	30
69955-C3	VCT.50 B-M12-C3	50	M12	32	19	14	20	27	30
69955-C4	VCT.50 B-M12-C4	50	M12	32	19	14	20	27	30
69955-C5	VCT.50 B-M12-C5	50	M12	32	19	14	20	27	30
69955-C6	VCT.50 B-M12-C6	50	M12	32	19	14	20	27	30
69955-C9	VCT.50 B-M12-C9	50	M12	32	19	14	20	27	30
70012-C2	VCT.63 B-M8-C2	63	M8	37	22	16	26	48	45
70012-C3	VCT.63 B-M8-C3	63	M8	37	22	16	26	48	45
70012-C4	VCT.63 B-M8-C4	63	M8	37	22	16	26	48	45
70012-C5	VCT.63 B-M8-C5	63	M8	37	22	16	26	48	45
70012-C6	VCT.63 B-M8-C6	63	M8	37	22	16	26	48	45
70012-C9	VCT.63 B-M8-C9	63	M8	37	22	16	26	48	45

<b>70013-C2</b>	VCT.63 B-M10-C2	63	M10	37	22	16	26	50	42
<b>70013-C3</b>	VCT.63 B-M10-C3	63	M10	37	22	16	26	50	42
<b>70013-C4</b>	VCT.63 B-M10-C4	63	M10	37	22	16	26	50	42
<b>70013-C5</b>	VCT.63 B-M10-C5	63	M10	37	22	16	26	50	42
<b>70013-C6</b>	VCT.63 B-M10-C6	63	M10	37	22	16	26	50	42
<b>70013-C9</b>	VCT.63 B-M10-C9	63	M10	37	22	16	26	50	42
<b>70014-C2</b>	VCT.63 B-M12-C2	63	M12	37	22	16	26	50	40
<b>70014-C3</b>	VCT.63 B-M12-C3	63	M12	37	22	16	26	50	40
<b>70014-C4</b>	VCT.63 B-M12-C4	63	M12	37	22	16	26	50	40
<b>70014-C5</b>	VCT.63 B-M12-C5	63	M12	37	22	16	26	50	40
<b>70014-C6</b>	VCT.63 B-M12-C6	63	M12	37	22	16	26	50	40
<b>70014-C9</b>	VCT.63 B-M12-C9	63	M12	37	22	16	26	50	40
<b>70062-C2</b>	VCT.74 B-M12-C2	74	M12	43.5	26	22	26	60	57
<b>70062-C3</b>	VCT.74 B-M12-C3	74	M12	43.5	26	22	26	60	57
<b>70062-C4</b>	VCT.74 B-M12-C4	74	M12	43.5	26	22	26	60	57
<b>70062-C5</b>	VCT.74 B-M12-C5	74	M12	43.5	26	22	26	60	57
<b>70062-C6</b>	VCT.74 B-M12-C6	74	M12	43.5	26	22	26	60	57
<b>70062-C9</b>	VCT.74 B-M12-C9	74	M12	43.5	26	22	26	60	57
<b>70063-C2</b>	VCT.74 B-M14-C2	74	M14	43.5	26	22	26	65	53
<b>70063-C3</b>	VCT.74 B-M14-C3	74	M14	43.5	26	22	26	65	53
<b>70063-C4</b>	VCT.74 B-M14-C4	74	M14	43.5	26	22	26	65	53
<b>70063-C5</b>	VCT.74 B-M14-C5	74	M14	43.5	26	22	26	65	53
<b>70063-C6</b>	VCT.74 B-M14-C6	74	M14	43.5	26	22	26	65	53
<b>70063-C9</b>	VCT.74 B-M14-C9	74	M14	43.5	26	22	26	65	53
<b>70064-C2</b>	VCT.74 B-M16-C2	74	M16	43.5	26	22	31	69	55
<b>70064-C3</b>	VCT.74 B-M16-C3	74	M16	43.5	26	22	31	69	55
<b>70064-C4</b>	VCT.74 B-M16-C4	74	M16	43.5	26	22	31	69	55
<b>70064-C5</b>	VCT.74 B-M16-C5	74	M16	43.5	26	22	31	69	55
<b>70064-C6</b>	VCT.74 B-M16-C6	74	M16	43.5	26	22	31	69	55
<b>70064-C9</b>	VCT.74 B-M16-C9	74	M16	43.5	26	22	31	69	55
<b>70097-C2</b>	VCT.95 B-M16-C2	95	M16	46	32	21	22	100	109
<b>70097-C3</b>	VCT.95 B-M16-C3	95	M16	46	32	21	22	100	109
<b>70097-C4</b>	VCT.95 B-M16-C4	95	M16	46	32	21	22	100	109
<b>70097-C5</b>	VCT.95 B-M16-C5	95	M16	46	32	21	22	100	109
<b>70097-C6</b>	VCT.95 B-M16-C6	95	M16	46	32	21	22	100	109
<b>70097-C9</b>	VCT.95 B-M16-C9	95	M16	46	32	21	22	100	109



Code	Description	D	d <sub>6H</sub>	L	d <sub>1</sub>	d <sub>3</sub>	l <sub>2</sub>	h	Weight
<b>69847</b>	VCT.32 FP-M5	32	M5	23	15	10	10	12	11
<b>69848</b>	VCT.32 FP-M6	32	M6	23	15	10	10	12	10
<b>69849</b>	VCT.32 FP-M8	32	M8	23	15	10	10	12	9
<b>69897</b>	VCT.40 FP-M6	40	M6	27	17	12	12	18	26
<b>69898</b>	VCT.40 FP-M8	40	M8	27	17	12	12	18	24
<b>69899</b>	VCT.40 FP-M10	40	M10	27	17	12	12	17	23
<b>69956</b>	VCT.50 FP-M8	50	M8	32	19	15	14	20	38
<b>69957</b>	VCT.50 FP-M10	50	M10	32	19	15	14	20	34
<b>69958</b>	VCT.50 FP-M12	50	M12	32	19	15	14	20	30
<b>70016</b>	VCT.63 FP-M8	63	M8	37	22	19	16	26	44
<b>70017</b>	VCT.63 FP-M10	63	M10	37	22	19	16	26	42
<b>70018</b>	VCT.63 FP-M12	63	M12	37	22	19	16	26	40
<b>70067</b>	VCT.74 FP-M12	74	M12	43.5	26	17	22	26	56
<b>70068</b>	VCT.74 FP-M14	74	M14	43.5	26	17	22	26	52
<b>70069</b>	VCT.74 FP-M16	74	M16	43.5	26	17	22	31	54

VCT-p



Code	Description	D	d <sub>6g</sub>	L	d <sub>1</sub>	l	l <sub>2</sub>	C# [Nm]	Weight
69816-C9	VCT.25 p-M4x6-C9	25	M4	19	13	6	8	5	5
69817-C9	VCT.25 p-M4x10-C9	25	M4	19	13	10	8	5	6
69821-C9	VCT.25 p-M5x10-C9	25	M5	19	13	10	8	6	7
69822-C9	VCT.25 p-M5x16-C9	25	M5	19	13	16	8	6	8
69823-C9	VCT.25 p-M5x20-C9	25	M5	19	13	20	8	6	9
69824-C9	VCT.25 p-M5x25-C9	25	M5	19	13	25	8	6	10
69825-C9	VCT.25 p-M5x30-C9	25	M5	19	13	30	8	6	12
69826-C9	VCT.25 p-M5x40-C9	25	M5	19	13	40	8	6	14
69831-C9	VCT.25 p-M6x10-C9	25	M6	19	13	10	8	6	8
69832-C9	VCT.25 p-M6x16-C9	25	M6	19	13	16	8	6	9
69833-C9	VCT.25 p-M6x20-C9	25	M6	19	13	20	8	6	10
69835-C9	VCT.25 p-M6x25-C9	25	M6	19	13	25	8	6	11
69834-C9	VCT.25 p-M6x30-C9	25	M6	19	13	30	8	6	13
69836-C9	VCT.25 p-M6x40-C9	25	M6	19	13	40	8	6	15
69872-C2	VCT.32 p-M5x20-C2	32	M5	23	15	20	10	6	13
69872-C3	VCT.32 p-M5x20-C3	32	M5	23	15	20	10	6	13
69872-C4	VCT.32 p-M5x20-C4	32	M5	23	15	20	10	6	13
69872-C5	VCT.32 p-M5x20-C5	32	M5	23	15	20	10	6	13
69872-C6	VCT.32 p-M5x20-C6	32	M5	23	15	20	10	6	13
69872-C9	VCT.32 p-M5x20-C9	32	M5	23	15	20	10	6	13
69851-C2	VCT.32 p-M6x16-C2	32	M6	23	15	16	10	8	13
69851-C3	VCT.32 p-M6x16-C3	32	M6	23	15	16	10	8	13
69851-C4	VCT.32 p-M6x16-C4	32	M6	23	15	16	10	8	13
69851-C5	VCT.32 p-M6x16-C5	32	M6	23	15	16	10	8	13
69851-C6	VCT.32 p-M6x16-C6	32	M6	23	15	16	10	8	13
69851-C9	VCT.32 p-M6x16-C9	32	M6	23	15	16	10	8	13
69852-C2	VCT.32 p-M6x20-C2	32	M6	23	15	20	10	8	14
69852-C3	VCT.32 p-M6x20-C3	32	M6	23	15	20	10	8	14
69852-C4	VCT.32 p-M6x20-C4	32	M6	23	15	20	10	8	14
69852-C5	VCT.32 p-M6x20-C5	32	M6	23	15	20	10	8	14
69852-C6	VCT.32 p-M6x20-C6	32	M6	23	15	20	10	8	14
69852-C9	VCT.32 p-M6x20-C9	32	M6	23	15	20	10	8	14
69853-C2	VCT.32 p-M6x25-C2	32	M6	23	15	25	10	8	15
69853-C3	VCT.32 p-M6x25-C3	32	M6	23	15	25	10	8	15
69853-C4	VCT.32 p-M6x25-C4	32	M6	23	15	25	10	8	15
69853-C5	VCT.32 p-M6x25-C5	32	M6	23	15	25	10	8	15
69853-C6	VCT.32 p-M6x25-C6	32	M6	23	15	25	10	8	15
69853-C9	VCT.32 p-M6x25-C9	32	M6	23	15	25	10	8	15
69854-C2	VCT.32 p-M6x30-C2	32	M6	23	15	30	10	8	16
69854-C3	VCT.32 p-M6x30-C3	32	M6	23	15	30	10	8	16
69854-C4	VCT.32 p-M6x30-C4	32	M6	23	15	30	10	8	16
69854-C5	VCT.32 p-M6x30-C5	32	M6	23	15	30	10	8	16
69854-C6	VCT.32 p-M6x30-C6	32	M6	23	15	30	10	8	16
69854-C9	VCT.32 p-M6x30-C9	32	M6	23	15	30	10	8	16
69856-C2	VCT.32 p-M6x40-C2	32	M6	23	15	40	10	8	18
69856-C3	VCT.32 p-M6x40-C3	32	M6	23	15	40	10	8	18
69856-C4	VCT.32 p-M6x40-C4	32	M6	23	15	40	10	8	18
69856-C5	VCT.32 p-M6x40-C5	32	M6	23	15	40	10	8	18
69856-C6	VCT.32 p-M6x40-C6	32	M6	23	15	40	10	8	18
69856-C9	VCT.32 p-M6x40-C9	32	M6	23	15	40	10	8	18
69858-C2	VCT.32 p-M6x50-C2	32	M6	23	15	50	10	8	20
69858-C3	VCT.32 p-M6x50-C3	32	M6	23	15	50	10	8	20
69858-C4	VCT.32 p-M6x50-C4	32	M6	23	15	50	10	8	20
69858-C5	VCT.32 p-M6x50-C5	32	M6	23	15	50	10	8	20
69858-C6	VCT.32 p-M6x50-C6	32	M6	23	15	50	10	8	20
69858-C9	VCT.32 p-M6x50-C9	32	M6	23	15	50	10	8	20
69859-C2	VCT.32 p-M8x16-C2	32	M8	23	15	16	10	8	14
69859-C3	VCT.32 p-M8x16-C3	32	M8	23	15	16	10	8	14
69859-C4	VCT.32 p-M8x16-C4	32	M8	23	15	16	10	8	14
69859-C5	VCT.32 p-M8x16-C5	32	M8	23	15	16	10	8	14
69859-C6	VCT.32 p-M8x16-C6	32	M8	23	15	16	10	8	14
69859-C9	VCT.32 p-M8x16-C9	32	M8	23	15	16	10	8	14
69861-C2	VCT.32 p-M8x20-C2	32	M8	23	15	20	10	8	18









<b>70083-C6</b>	VCT.74 p-M12x30-C6	74	M12	43.5	26	30	22	68	86
<b>70083-C9</b>	VCT.74 p-M12x30-C9	74	M12	43.5	26	30	22	68	86
<b>70085-C2</b>	VCT.74 p-M12x50-C2	74	M12	43.5	26	50	22	68	98
<b>70085-C3</b>	VCT.74 p-M12x50-C3	74	M12	43.5	26	50	22	68	98
<b>70085-C4</b>	VCT.74 p-M12x50-C4	74	M12	43.5	26	50	22	68	98
<b>70085-C5</b>	VCT.74 p-M12x50-C5	74	M12	43.5	26	50	22	68	98
<b>70085-C6</b>	VCT.74 p-M12x50-C6	74	M12	43.5	26	50	22	68	98
<b>70085-C9</b>	VCT.74 p-M12x50-C9	74	M12	43.5	26	50	22	68	98
<b>70087-C2</b>	VCT.74 p-M12x70-C2	74	M12	43.5	26	70	22	68	110
<b>70087-C3</b>	VCT.74 p-M12x70-C3	74	M12	43.5	26	70	22	68	110
<b>70087-C4</b>	VCT.74 p-M12x70-C4	74	M12	43.5	26	70	22	68	110
<b>70087-C5</b>	VCT.74 p-M12x70-C5	74	M12	43.5	26	70	22	68	110
<b>70087-C6</b>	VCT.74 p-M12x70-C6	74	M12	43.5	26	70	22	68	110
<b>70087-C9</b>	VCT.74 p-M12x70-C9	74	M12	43.5	26	70	22	68	110
<b>70095-C2</b>	VCT.74 p-M14x50-C2	74	M14	43.5	26	50	22	78	106
<b>70095-C3</b>	VCT.74 p-M14x50-C3	74	M14	43.5	26	50	22	78	106
<b>70095-C4</b>	VCT.74 p-M14x50-C4	74	M14	43.5	26	50	22	78	106
<b>70095-C5</b>	VCT.74 p-M14x50-C5	74	M14	43.5	26	50	22	78	106
<b>70095-C6</b>	VCT.74 p-M14x50-C6	74	M14	43.5	26	50	22	78	106
<b>70095-C9</b>	VCT.74 p-M14x50-C9	74	M14	43.5	26	50	22	78	106
<b>70099-C2</b>	VCT.95 p-M16x50-C2	95	M16	46	32	50	21	138	175
<b>70099-C3</b>	VCT.95 p-M16x50-C3	95	M16	46	32	50	21	138	175
<b>70099-C4</b>	VCT.95 p-M16x50-C4	95	M16	46	32	50	21	138	175
<b>70099-C5</b>	VCT.95 p-M16x50-C5	95	M16	46	32	50	21	138	175
<b>70099-C6</b>	VCT.95 p-M16x50-C6	95	M16	46	32	50	21	138	175
<b>70099-C9</b>	VCT.95 p-M16x50-C9	95	M16	46	32	50	21	138	175

Code	Description	Boss cap for
<b>6900</b>	CA.VCT.32-C9	VCT.32
<b>6910</b>	CA.VCT.40-C9	VCT.40
<b>6920</b>	CA.VCT.50-C9	VCT.50
<b>6930</b>	CA.VCT.63-74-95-C9	VCT.63-74-95
<b>6903</b>	CA.VCT.32-C2	VCT.32
<b>6913</b>	CA.VCT.40-C2	VCT.40
<b>6923</b>	CA.VCT.50-C2	VCT.50
<b>6933</b>	CA.VCT.63-74-95-C2	VCT.63-74-95
<b>6904</b>	CA.VCT.32-C3	VCT.32
<b>6914</b>	CA.VCT.40-C3	VCT.40
<b>6924</b>	CA.VCT.50-C3	VCT.50
<b>6934</b>	CA.VCT.63-74-95-C3	VCT.63-74-95
<b>6905</b>	CA.VCT.32-C4	VCT.32
<b>6915</b>	CA.VCT.40-C4	VCT.40
<b>6925</b>	CA.VCT.50-C4	VCT.50
<b>6935</b>	CA.VCT.63-74-95-C4	VCT.63-74-95
<b>6906</b>	CA.VCT.32-C5	VCT.32
<b>6916</b>	CA.VCT.40-C5	VCT.40
<b>6926</b>	CA.VCT.50-C5	VCT.50
<b>6936</b>	CA.VCT.63-74-95-C5	VCT.63-74-95
<b>6901</b>	CA.VCT.32-C6	VCT.32
<b>6911</b>	CA.VCT.40-C6	VCT.40
<b>6921</b>	CA.VCT.50-C6	VCT.50
<b>6931</b>	CA.VCT.63-74-95-C6	VCT.63-74-95

# "Max limit Tightening torque" means the max torque value at which the metal insert, in normal conditions of use, is perfectly and strongly anchored to the plastic material.

## X-ON Electronics

Largest Supplier of Electrical and Electronic Components

*Click to view similar products for [Knobs & Dials](#) category:*

*Click to view products by [Elesa & Ganter](#) manufacturer:*

Other Similar products are found below :

[790-1202](#) [790-2226](#) [8529](#) [8547](#) [85-559](#) [8573](#) [11K5015-EMNB](#) [11K5015-EMNG](#) [1770](#) [P400S-08-D6-N](#) [KNP700A1/4](#) [3045B](#) [AL811BA18](#)  
[AR22PY-122B](#) [PKJ50B18](#) [277A](#) [348003](#) [42000B38](#) [5006](#) [56008-001](#) [411](#) [420037B14](#) [WA-102B](#) [WA-103](#) [WA-109B](#) [WA-1550](#) [WA-](#)  
[1600-P](#) [WA-2300](#) [WA-4100](#) [WA-4108-P](#) [52-928.20](#) [52-928.9](#) [8517](#) [8529](#) [8545](#) [8572](#) [WA-4104](#) [WA-4103](#) [WA-1202](#) [WA-104B](#) [WA-103B](#)  
[WA-102](#) [6126](#) [MS91528-0N1B](#) [7-1437622-0](#) [790-1208](#) [790-1370-MS](#) [8-1437622-6](#) [P209061-001](#) [P675S-06-D6-W](#)