

Lobe knobs with cap, technopolymer

MATERIAL

Glass-fibre reinforced polyamide based (PA) technopolymer, black colour, matte finish.

BOSS CAP

CA.VCT: polypropylene-based (PP) technopolymer, in Elecolors colours, matte finish, press-fit assembly. Supplied. Available also as accessory sold separately (see table).

STANDARD EXECUTIONS

- **VTT-C-B**: brass boss, threaded pass-through hole.
- **VTT-C-p**: zinc-plated steel threaded stud, chamfered flat end according to UNI 947 : ISO 4753 (see Technical data on page A11).

FEATURES AND APPLICATIONS

The three-lobe shape with large recesses is particularly ergonomic also for smaller knobs, ensuring an effective grip even with work gloves.

SPECIAL EXECUTIONS ON REQUEST

Handwheels with stainless steel metal parts.

ACCESSORIES ON REQUEST

CA.VCT: polypropylene-based (PP) technopolymer boss cap, in Elecolors colours, matte finish, press-fit assembly. For sufficient quantities, it can be supplied in other colours or with customised graphic symbols, marks or writings.



ELESA Original design

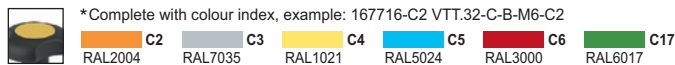
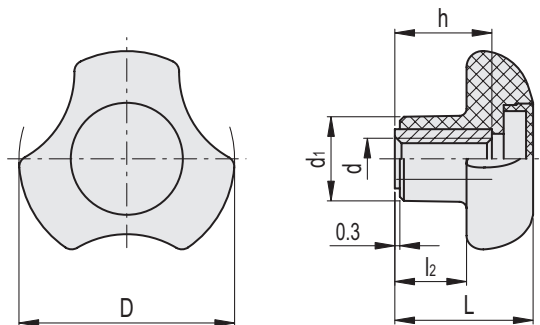


CA.VCT

Cap for	C2	C3	C4	C5	C6	C17	Description
VTT.32-C	6923	6924	6925	6926	6921	6927	CA.VCT.50-*
VTT.40-C	6933	6934	6935	6936	6931	6937	CA.VCT.63-74-95*
VTT.50-C	6983	6984	6985	6986	6981	6987	CA.VCT.84-*

* Complete with colour index (C2, ..., C17).

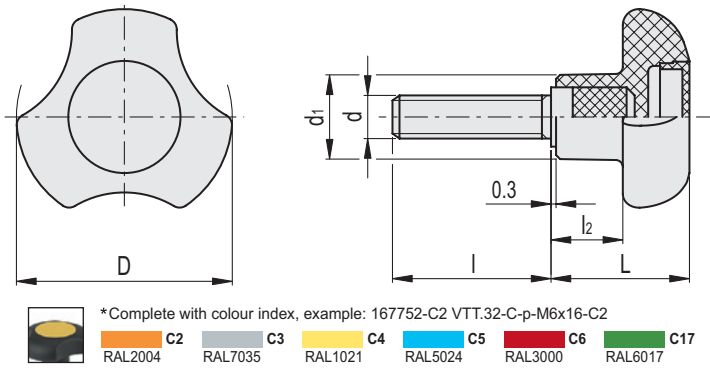
VTT-C-B



VTT-C-B

Code	Description	D	d6H	L	d1	l2	h	⚖
167716-*	VTT.32-C-B-M6-*	32	M6	22	14	11.5	14	15
167717-*	VTT.32-C-B-M8-*	32	M8	22	14	11.5	14	14
167835-*	VTT.40-C-B-M6-*	40	M6	25	16	13.5	18	24
167836-*	VTT.40-C-B-M8-*	40	M8	25	16	13.5	18	22
167965-*	VTT.50-C-B-M8-*	50	M8	29	19	15	20	43
167966-*	VTT.50-C-B-M10-*	50	M10	29	19	15	20	40

VTT-C-p



VTT-C-p

Code	Description	D	d _g	L	d ₁	l	l ₂	△
167752.*	VTT.32-C-p-M6x16.*	32	M6	22	14	16	11.5	17
167753.*	VTT.32-C-p-M6x20.*	32	M6	22	14	20	11.5	19
167755.*	VTT.32-C-p-M6x25.*	32	M6	22	14	25	11.5	21
167754.*	VTT.32-C-p-M6x30.*	32	M6	22	14	30	11.5	23
167757.*	VTT.32-C-p-M6x35.*	32	M6	22	14	35	11.5	25
167758.*	VTT.32-C-p-M6x40.*	32	M6	22	14	40	11.5	27
167759.*	VTT.32-C-p-M6x45.*	32	M6	22	14	45	11.5	29
167772.*	VTT.32-C-p-M8x16.*	32	M8	22	14	16	11.5	20
167773.*	VTT.32-C-p-M8x20.*	32	M8	22	14	20	11.5	22
167774.*	VTT.32-C-p-M8x25.*	32	M8	22	14	25	11.5	24
167775.*	VTT.32-C-p-M8x30.*	32	M8	22	14	30	11.5	27
167776.*	VTT.32-C-p-M8x35.*	32	M8	22	14	35	11.5	30
167851.*	VTT.40-C-p-M6x10.*	40	M6	25	16	10	13.5	29
167853.*	VTT.40-C-p-M6x16.*	40	M6	25	16	16	13.5	31
167855.*	VTT.40-C-p-M6x20.*	40	M6	25	16	20	13.5	33
167857.*	VTT.40-C-p-M6x25.*	40	M6	25	16	25	13.5	35
167859.*	VTT.40-C-p-M6x30.*	40	M6	25	16	30	13.5	37
167861.*	VTT.40-C-p-M6x40.*	40	M6	25	16	40	13.5	40
167870.*	VTT.40-C-p-M8x16.*	40	M8	25	16	16	13.5	32
167871.*	VTT.40-C-p-M8x20.*	40	M8	25	16	20	13.5	34
167872.*	VTT.40-C-p-M8x25.*	40	M8	25	16	25	13.5	36
167873.*	VTT.40-C-p-M8x30.*	40	M8	25	16	30	13.5	38
167874.*	VTT.40-C-p-M8x35.*	40	M8	25	16	35	13.5	40
167875.*	VTT.40-C-p-M8x40.*	40	M8	25	16	40	13.5	42
167877.*	VTT.40-C-p-M8x50.*	40	M8	25	16	50	13.5	46
167880.*	VTT.40-C-p-M8x55.*	40	M8	25	16	55	13.5	48
167878.*	VTT.40-C-p-M8x60.*	40	M8	25	16	60	13.5	50
167879.*	VTT.40-C-p-M8x70.*	40	M8	25	16	70	13.5	54
167941.*	VTT.50-C-p-M8x16.*	50	M8	29	19	16	15	53
167943.*	VTT.50-C-p-M8x20.*	50	M8	29	19	20	15	55
167945.*	VTT.50-C-p-M8x25.*	50	M8	29	19	25	15	57
167947.*	VTT.50-C-p-M8x30.*	50	M8	29	19	30	15	60
167949.*	VTT.50-C-p-M8x40.*	50	M8	29	19	40	15	64
167951.*	VTT.50-C-p-M8x45.*	50	M8	29	19	45	15	66
167953.*	VTT.50-C-p-M8x50.*	50	M8	29	19	50	15	69
167955.*	VTT.50-C-p-M8x60.*	50	M8	29	19	60	15	72
167981.*	VTT.50-C-p-M10x20.*	50	M10	29	19	20	15	56
167982.*	VTT.50-C-p-M10x25.*	50	M10	29	19	25	15	58
167983.*	VTT.50-C-p-M10x30.*	50	M10	29	19	30	15	61
167984.*	VTT.50-C-p-M10x35.*	50	M10	29	19	35	15	63
167985.*	VTT.50-C-p-M10x40.*	50	M10	29	19	40	15	66
167986.*	VTT.50-C-p-M10x45.*	50	M10	29	19	45	15	69
167988.*	VTT.50-C-p-M10x55.*	50	M10	29	19	55	15	72



X-ON Electronics

Largest Supplier of Electrical and Electronic Components

Click to view similar products for [Knobs & Dials](#) category:

Click to view products by [Elesa & Ganter](#) manufacturer:

Other Similar products are found below :

[790-1202](#) [790-2226](#) [8529](#) [8547](#) [85-559](#) [8573](#) [11K5015-EMNB](#) [11K5015-EMNG](#) [1770](#) [P400S-08-D6-N](#) [KNP700A1/4](#) [3045B](#) [AL811BA18](#)
[AR22PY-122B](#) [PKJ50B18](#) [277A](#) [348003](#) [42000B38](#) [5006](#) [56008-001](#) [411](#) [420037B14](#) [WA-102B](#) [WA-103](#) [WA-109B](#) [WA-1550](#) [WA-](#)
[1600-P](#) [WA-2300](#) [WA-4100](#) [WA-4108-P](#) [52-928.20](#) [52-928.9](#) [8517](#) [8529](#) [8545](#) [8572](#) [WA-4104](#) [WA-4103](#) [WA-1202](#) [WA-104B](#) [WA-103B](#)
[WA-102](#) [6126](#) [MS91528-0N1B](#) [7-1437622-0](#) [790-1208](#) [790-1370-MS](#) [8-1437622-6](#) [P209061-001](#) [P675S-06-D6-W](#)