

ALUMINUM ELECTROLYTIC CAPACITORS



SC Series

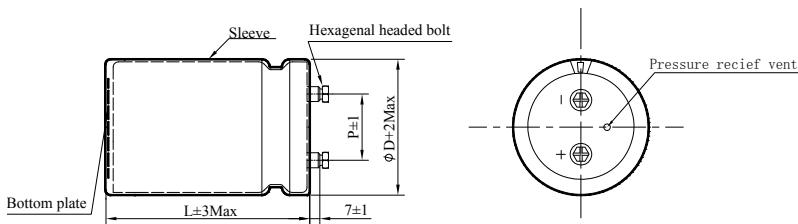
- High ripple, suitable to use in industrial power supplies for inverter circuitry, etc



◆ SPECIFICATIONS

Item	Performance Characteristics			
Category Temperature Range	-25 ~ +85°C			
Working Voltage Range	200 ~ 600Vdc			
Capacitance Range	820 ~ 33,000μF			
Capacitance Tolerance	±20% (at 25°C and 120Hz)			
Dissipation Factor (tanδ) (at 25°C, 120Hz)	Rated Voltage (V)	200 ~ 250	350 ~ 450	500 ~ 600
	tanδ(Max)	0.20	0.20	0.25
Leakage Current	I=0.01CV or 5000μA, whichever is smaller I : Leakage current (μA) C : Rated capacitance (μF) V : Rated voltage (V) Impress the rated voltage for 5 minutes			
Endurance	The following specifications shall be satisfied when the capacitors are restored to 25°C after subjected to DC voltage with the rated ripple current is applied for 2,000 hours at 85°C.			
	Capacitance change	≅ ±15% of the initial value		
	Dissipation factor(tanδ)	≅ 175% of the specified value		
	Leakage current	≅ specified value		
Shelf Life	The following requirements shall be satisfied when the capacitor are restored to 25°C after the rated voltage applied for 500 hours at 85°C without voltage applied.			
	Capacitance change	≅ ±15% of the initial value		
	Dissipation factor(tanδ)	≅ 175% of the specified value		
	Leakage current	≅ specified value		
Others	Conforms to JIS-C-5101-4 (1998), characteristic W			

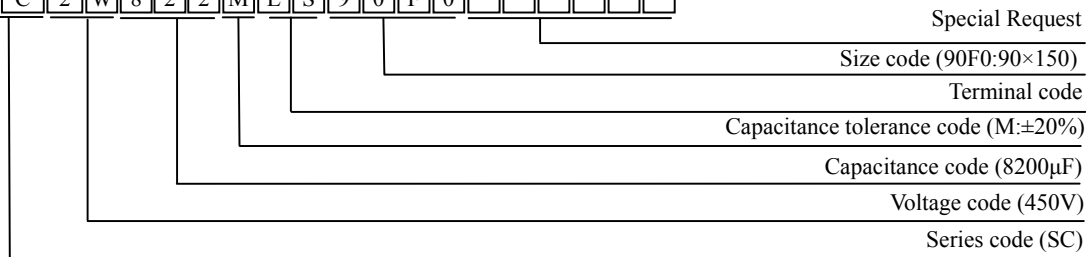
◆ DIMENSIONS (mm)



ΦD	51	64	76	90
P±1	22.4	28.0	31.5	31.5

◆ PART NUMBER SYSTEM(Example : 450V 8200μF)

S C 2 W 8 2 2 M L S 9 0 F 0



ALUMINUM ELECTROLYTIC CAPACITORS



SC Series

◆ Case size & Permissible rated ripple current (A rms) 120Hz / 85°C

Vdc ΦD uF	200								250							
	Φ51		Φ64		Φ76		Φ90		Φ51		Φ64		Φ76		Φ90	
	ΦD×L	RC	ΦD×L	RC	ΦD×L	RC	ΦD×L	RC	ΦD×L	RC	ΦD×L	RC	ΦD×L	RC	ΦD×L	RC
2200									51×80	3.9						
2700									51×80	4.4						
3300	51×80	4.9							51×100	5.4						
3900	51×80	5.3							51×120	6.2	64×80	6.2				
4700	51×100	6.4	64×80	6.4					51×120	7.1	64×100	7.1				
5600	51×120	7.5	64×80	7.5							64×100	7.7				
6800	51×120	8.7	64×100	8.7							64×120	9.1				
8200			64×100	9.3							64×120	10.0	76×100	10.0		
10000			64×100	10.3									76×100	11.6		
12000			64×120	12.0	76×100	12.0							76×120	12.8		
15000					76×100	14.4							76×120	15.0	90×100	15.0
18000					76×120	16.5	90×100	16.5					76×150	17.6	90×100	14.5
22000					76×150	19.6	90×120	19.6							90×150	20.9
27000					76×150	21.5	90×120	21.5								
33000							90×150	25.5								

Vdc ΦD uF	350								400							
	Φ51		Φ64		Φ76		Φ90		Φ51		Φ64		Φ76		Φ90	
	ΦD×L	RC	ΦD×L	RC	ΦD×L	RC	ΦD×L	RC	ΦD×L	RC	ΦD×L	RC	ΦD×L	RC	ΦD×L	RC
1000									51×80	3.8						
1200	51×80	4.2							51×80	4.5						
1500	51×80	4.9							51×100	5.3						
1800	51×100	5.6							51×100	6.0	64×80	6.3				
2200	51×100	6.7	64×80	7.0					51×120	7.0	64×100	6.8				
2700	51×120	8.0	64×100	8.4							64×100	8.2				
3300			64×100	9.6							64×120	9.6	76×100	9.3		
3900			64×120	10.4									76×120	10.5		
4700					76×100	11.9							76×120	12.3	90×100	13.1
5600					76×120	13.5	90×100	14.4					76×120	14.3	90×100	14.5
6800					76×150	16.0	90×120	16.2					76×150	16.0	90×120	16.3
8200					76×150	18.7	90×120	19.0							90×150	19.0
10000							90×150	20.0							90×180	21.0
12000							90×150	21.3								

Vdc ΦD uF	450								500							
	Φ51		Φ64		Φ76		Φ90		Φ51		Φ64		Φ76		Φ90	
	ΦD×L	RC	ΦD×L	RC	ΦD×L	RC	ΦD×L	RC	ΦD×L	RC	ΦD×L	RC	ΦD×L	RC	ΦD×L	RC
820	51×80	3.6							51×90	3.7						
1000	51×80	4.0							51×100	4.1						
1200	51×100	4.7							51×110	4.8						
1500	51×120	5.4	64×80	5.6					51×130	5.6	64×100	5.6				
1800	51×120	5.9	64×100	6.1							64×110	6.2				
2200			64×100	7.2							64×120	7.3	76×100	7.2		
2700			64×120	8.6	76×100	8.3					64×140	8.7	76×110	8.5		
3300					76×100	9.7							76×120	9.9		
3900					76×120	11.2	90×100	11.3					76×140	11.4	90×110	11.3
4700					76×150	12.9	90×100	13.1					76×160	13.1	90×130	13.1
5600					76×150	15.3	90×120	15.3					76×190	15.4	90×150	15.3
8200							90×150	17.3							90×190	17.4

SC Series

◆ Case size & Permissible rated ripple current (A rms) 120Hz / 85°C

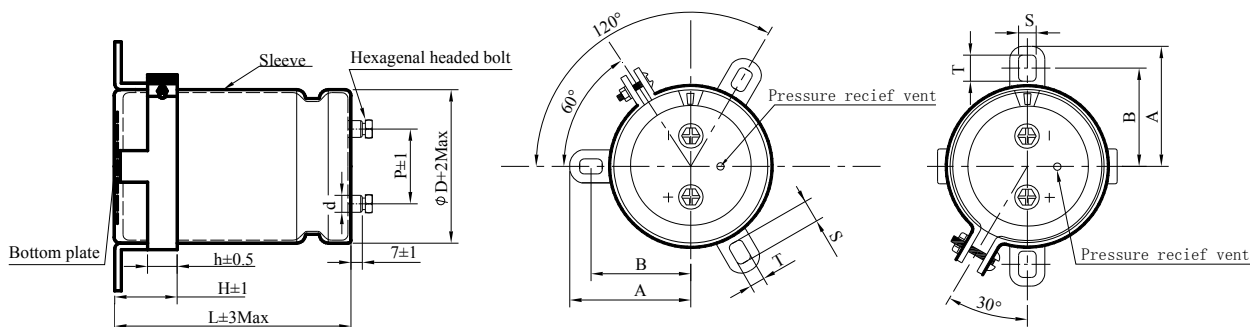
Vdc uF	550								600					
	Φ51		Φ64		Φ76		Φ90		Φ64		Φ76		Φ90	
	ΦD×L	RC	ΦD×L	RC	ΦD×L	RC	ΦD×L	RC	ΦD×L	RC	ΦD×L	RC	ΦD×L	RC
820	51×90	3.9												
1000	51×110	4.3												
1200	51×130	5.0	64×90	4.8					64×100	5.4				
1500			64×110	5.9					64×120	6.6				
1800			64×120	6.3					64×135	7.5	76×100	7.2		
2200			64×140	7.5	76×110	7.5			64×155	8.3	76×120	8.0		
2700			64×170	8.9	76×130	8.7			64×185	9.7	76×135	9.4		
3300					76×150	10.1	90×120	10.1	64×220	11.0	76×160	10.8		
3900					76×170	11.6	90×130	11.4			76×185	12.4	90×140	12.2
4700					76×190	13.5	90×150	13.2			76×215	14.3	90×165	14.0
5600							90×170	15.6					90×190	16.5
6800							90×200	16.3					90×220	17.1

◆ RIPPLE CURRENT MULTIPLIERS

Frequency Multipliers

Vdc	Frequency (Hz)				
	60	120	360	1K	10K
200 ~ 450	0.82	1.00	1.20	1.35	1.40
500 ~ 600	0.80	1.00	1.10	1.30	1.35

◆ DIMENSIONS (Screw-Mount) [mm]



◆ Terminal pitch and Nominal dia. of bolt

Terminal Code	ΦD	P±1	Nominal dia. of bolt	d±0.5
LS	51	22.4	M5	10
	64	28.0	M5	10
	76	31.5	M5	10
	90	31.5	M5	10
LA	64	28.0	M5	13
	76	31.5	M5	13
	90	31.5	M5	13
LB	76	31.5	M6	17
	90	31.5	M6	17

◆ Dimensions of mounting bracket

Leg shape	D	A±2	B±1	T±0.5	S±0.5	H±1	h±0.5
2 - Leg (Code:K1)	51	40.0	34.0	7.0	5.0	30	24
	64	46.5	40.5	7.0	5.0	30	24
	76	53.0	46.8	7.0	5.0	30	24
	90	60.3	54.0	7.0	5.0	35	20
3 - Leg (Code:K2)	51	36.5	31.8	7.0	5.0	30	24
	64	43.6	38.1	7.0	5.0	30	24
	76	50.2	44.5	7.0	5.0	30	24
	90	56.5	50.8	7.0	5.0	30	24

X-ON Electronics

Largest Supplier of Electrical and Electronic Components

Click to view similar products for [Aluminium Electrolytic Capacitors - Screw Terminal](#) category:

Click to view products by [Elite](#) manufacturer:

Other Similar products are found below :

[A331FH221M500A](#) [FAS220250AA](#) [32D502F075CD2B](#) [36D552G040AC2A](#) [36DA183F016AN2A](#) [Y6426-201V-2527300](#)
[ETOR401CTH902QEG8N](#) [36DA683F025BL2A](#) [M39018/06-0139M](#) [A331PM472M250A](#) [E74D400HPN173TCE3M](#) [HV101761T250BA2A](#)
[A331TW682M500A](#) [ALS31B1003NX](#) [E36D351CPN402TEE3U](#) [E36D500HPN224MED0U](#) [E36D451LPN412TEB7U](#)
[E36D500LPN123TC54U](#) [184EC013](#) [184EC009](#) [184EC011](#) [184EC012](#) [184EC016](#) [184EC014](#) [ERWV451LGC332MDB5U](#)
[C3B1X297K60H731](#) [RM102M400R800A00Y](#) [LFB10000/100](#) [520C562P400DF2H](#) [3186GJ503M125DPA2](#) [WR228M2WT95O5](#)
[WR479M1JT1LO5](#) [500C562T350DD2B](#) [550C332T450DE2B](#) [DCMC682T400DF5H](#) [WL 10000U/100V](#) [WL 4700U/200V](#)
[B43740A9478M000](#) [B43584J5478M000](#) [E36D451LPN222TDA5M](#) [E36D350LPN103TA54M](#) [MAL210119103E3](#) [GT1H229M35100SB](#)
[GT1J229M35120SB](#) [GT2A229M51100SB](#) [A331PM104M040A](#) [WL158M2WS1AO5](#) [WR478M2WU1PD6](#) [C1808X102K202T](#)
[C1808N680J302T](#)