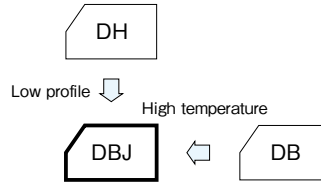


5.5V Low Profile and High Temperature Capacitors

GREEN CAP

85°C

- High temperature type of series DB.
- Small-sized, large capacity, excellent voltage holding.
- For all ratings, uniform 5mm pitch of terminal spacing.
- $\phi 13.5 \times 7.5L$  size can encase up to 0.33F.
- Ideal for backing up of CMOS's, IC's, microcomputers, RAM's, RTC's and the like used in Video's, tuners, TV sets, telephone sets and others.



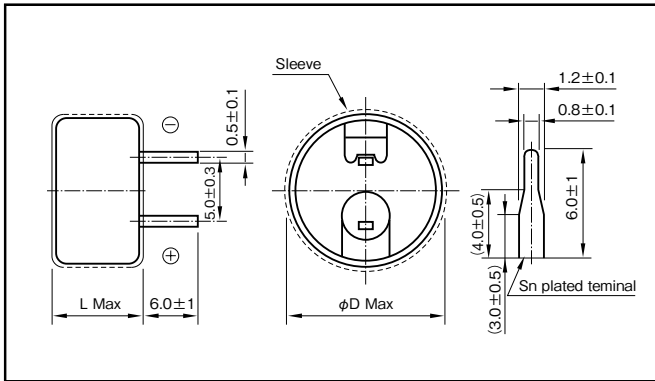
Marking color : White print on a black sleeve

Specifications

Item	Performance	
Category temperature range (°C)	-10 to +85	
Tolerance at rated capacitance (%)	-20 to +80	
Internal resistance at 1 kHz	Rated capacitance (F)	0.047    0.1    0.22    0.33    0.47    1
	Internal resistance ( $\Omega$ Max.)	200    150    150    150    100    75
Characteristics at high and low temperature	Percentage of capacitance change	Within $\pm 30\%$ of the value at 20°C
	Internal resistance	Less than four times of the initial specified value.
Endurance (85°C)	Test time	1000 hours
	Percentage of capacitance change	Within $\pm 30\%$ of the initial measured value
	Internal resistance	Less than four times of the initial specified value
Shelf life (85°C)	Test time : 1000 hours ; Same as endurance.	
Applicable standards	Conforms to JIS C5160-1 2009 (IEC 62391-1 2006)	

Outline Drawing

Unit : mm



Part numbering system (example : 5.5V0.1F)				
DBJ	—	5R5	D	104 T
Series code		Max.operating voltage symbol		Rated capacitance symbol

Part number is refer to following table.

Standard Ratings

Max. operating voltage (V)	Rated capacitance (F)	ELNA Parts No.	$\phi D \times L$ (mm)
5.5	0.047	DBJ-5R5D473T	13.5×7.5
5.5	0.1	DBJ-5R5D104T	13.5×7.5
5.5	0.22	DBJ-5R5D224T	13.5×7.5
5.5	0.33	DBJ-5R5D334T	13.5×7.5
5.5	0.47	DBJ-5R5D474T	21.5×8.0
5.5	1	DBJ-5R5D105T	21.5×8.0

NOTE : Design, Specifications are subject to change without notice. It is recommended that you shall obtain technical specifications from ELNA to ensure that the component is suitable for your use.

## X-ON Electronics

Largest Supplier of Electrical and Electronic Components

*Click to view similar products for [elna](#) manufacturer:*

Other Similar products are found below :

[RFS-50V2R2MF35](#) [DBJ-5R5D105T](#) [RVJ-50V101MH10U-R](#) [RFS-63V471MK85](#) [RFS-50V471MJ85](#) [PVM-10V470ME60E-R2](#) [DZN-2R5D506T](#) [RFS-25V220MF3#5](#) [RV2-35V100MU-R](#) [DBN-5R5D104T](#) [PVM-10V221MG70E-R2](#) [RFS-10V332MK9#5](#) [DZ-2R5D506T459546X](#) [DZH-2R5D307S57T](#) [LAO-63V103MS47PX#B](#) [RFS-25V100ME3#5](#) [RJH-25V222MI9#](#) [RFS-35V471MJ75](#) [LAO-80V103MS57PXT#B](#) [RFS-35V331MJ65](#) [ROB-10V682MK9](#) [ROB-10V682MK9#](#) [DX-5R5V104U](#) [LA5-100V103MS5BP#B](#) [RFS-16V102MJ75](#) [DX-5R5H104U](#) [DVL-5R5D473T-R5](#) [DXJ-5R5H334U](#) [RFS-16V102MJ7#5](#) [RFS-10V332MK95](#) [RFS-50V221MJ65](#) [DC-2R5D204T614](#) [RE3-35V222MJ6#](#) [RFS-50V102MK9#5](#) [ROB-100V470MH5](#) [DBN-5R5D105T](#) [RFS-25V220ME3#5](#) [RFS-35V221MI65](#) [ROB-100V470MH5#](#) [DVN-5R5D224T-R5](#) [DZ-2R5D106T](#) [RFS-6V470MF3#5](#) [DHL-5R5D224GT](#) [DCK-3R3E224U-E](#) [RFS-100V101MJ65](#) [ROB-100V101MI5](#) [RV2-16V101MSU-R](#) [DSK-3R3H224U-HL](#) [DBN-5R5D473T](#)