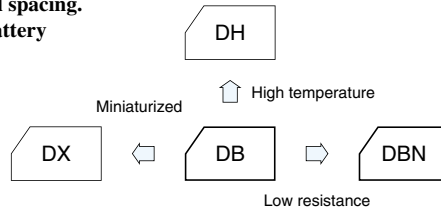


## 5.5V Standard Capacitors Series DB

- Small-sized, large capacity, excellent voltage holding.
- For all ratings, uniform 5mm pitch of terminal spacing.
- Wider temperature range(-25~+70°C) than battery makes periodic change unnecessary.
- ø13.5x7.5 l size can encase up to 0.33F.
- Ideal for backing up of CMOS's, microcomputers, RAM's and the like used in VCR's, tuners, TV sets, telephone sets and others.

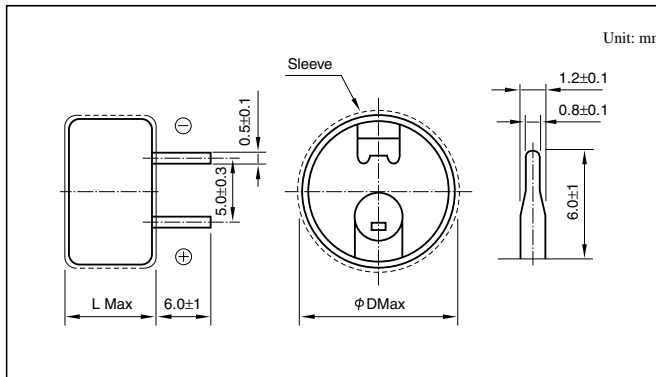


Marking color : White print on an indigo sleeve

### Specifications

Item	Performance						
Category temperature range (°C)	-25 to +70						
Tolerance at rated capacitance (%)	-20 to +80						
Internal resistance at 1 kHz	Rated Capacitance (F)	0.047	0.1	0.22	0.33	0.47	1.0
	Internal resistance (Ω)	120	75	75	75	30	30
Characteristics at high and low temperature	Percentage of capacitance change	Within ±30% of the value at 20°C					
	Internal resistance	Less than five times of the value at 20°C					
Endurance (70°C)	Test time	1000 hours					
	Percentage of capacitance change	Within ±30% of the initial measured value					
	Internal resistance	Within four times of the initial specified value					
Shelf life (70°C)	Test time :1000 hours ; Same as endurance.						

### Outline Drawing



### Standard Ratings

Max. operating voltage(V)	Rated capacitance(F)	ELNA Parts No.	ø DxL(mm)
5.5	0.047	DB-5R5D473T	13.5x7.5
5.5	0.1	DB-5R5D104T	13.5x7.5
5.5	0.22	DB-5R5D224T	13.5x7.5
5.5	0.33	DB-5R5D334T	13.5x7.5
5.5	0.47	DB-5R5D474T	21.5x8.0
5.5	1.0	DB-5R5D105T	21.5x8.0

### Part numbering system (example: 5.5V0.1F)

Environmental item	DB	5R5	D	104	T
	Series code	Rated voltage symbol		Rated capacitance symbol	
Former item	DB	5R5	D	104	
	Series code	Rated voltage symbol		Rated capacitance symbol	

## 5.5V Low Resistance Series DBN

- Internal resistance was reduced to 1/3 to DB series.
- It excels in rapid charge.

### Specifications

Item	Performance	
Category temperature range (°C)	-25 to +70	
Tolerance at rated capacitance (%)	-20 to +80	
Internal resistance at 1 kHz	Rated Capacitance (F)	0.1
	Internal resistance (Ω)	25
Characteristics at high and low temperature	Percentage of capacitance change	Within ±30% of the value at 20°C
	Internal resistance	Less than five times of the value at 20°C
Endurance (70°C)	Test time	1000 hours
	Percentage of capacitance change	Within ±30% of the initial measured value
	Internal resistance	Within four times of the initial specified value
Shelf life (70°C)	Test time :1000 hours ; Same as endurance.	

### Standard Ratings

Max. operating voltage(V)	Rated capacitance(F)	ELNA Parts No.	ø DxL(mm)
5.5	0.1	DBN-5R5D104T	13.5x7.5

### Part numbering system (example: 5.5V0.1µF)

Environmental item	DBN	5R5	D	104	T
	Series code	Rated voltage symbol		Rated capacitance symbol	
Former item	DBN	5R5	D	104	
	Series code	Rated voltage symbol		Rated capacitance symbol	

## X-ON Electronics

Largest Supplier of Electrical and Electronic Components

*Click to view similar products for [Supercapacitors](#) / [Ultracapacitors](#) category:*

*Click to view products by [Elna](#) manufacturer:*

Other Similar products are found below :

[C-TEC1225 P](#) [LX055105A](#) [SCCY73B407SLBLE](#) [CDCL3000C0-002R85STB](#) [MDCM0058C0-0016R0TBZ](#) [FE0H473ZF](#) [MAL223551012E3](#)  
[MAL223551014E3](#) [MAL223551015E3](#) [MAL223551016E3](#) [MAL223551006E3](#) [MAL223551007E3](#) [MAL223551001E3](#) [MAL223551008E3](#)  
[MAL219612474E3](#) [MAL219632473E3](#) [DRE10/2.5](#) [DRL106S0TI25RRDAP](#) [DRL226S0TK25RR](#) [106DCN2R7M](#) [SCCT30B156SRB](#)  
[SCMR14C474MSBA0](#) [SCMR22C155MSBA0](#) [FT0H225ZF](#) [GW209F](#) [TV1020-3R0605-R](#) [SCCX50B207VSB](#) [PAS0815LS2R5105](#)  
[HVZ0E475NF](#) [SCMR18F105PSBA0](#) [FT0H565ZF](#) [FE0H224ZF](#) [FCS0H473ZFTBR24](#) [SCCT30E156SRB](#) [MAL222090006E3](#)  
[SCCY68B407SSBLE](#) [CPH3225A-2K](#) [SCMT22C505PRBA0](#) [207DCN2R7M](#) [DB5U307W35050HA](#) [DB5U407W35060HA](#) [DGH505Q5R5](#)  
[DGH505Q2R7](#) [DGH705Q2R7](#) [DGH506Q2R7](#) [DGH357Q2R7](#) [DGH335Q2R7](#) [DGH256Q2R7](#) [DGH255Q5R5](#) [DGH207Q2R7](#)