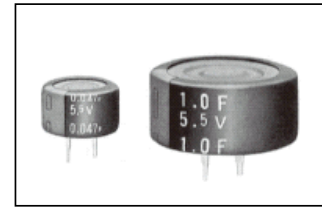


**NEW****DHL series** Electoric Double Layer Capacitor "DYNACAP"**ELNA®**

5.5V Wider Temperature range Capacitors

GREEN  
CAP

85



Marking color: White print on an indigo sleeve

Wider temperature range( - 40 ~ + 85 ) than battery.

13.5 × 9.5 size can encase up at 0.22F.

It excels in rapid charge.

Ideal for backing up of CMOS IC's, microcomputers, RAM's, RTC's and the like used in Electric power meter, Outdoor installation equipment, Automotive applications, Industrial equipment

Wider temperature range

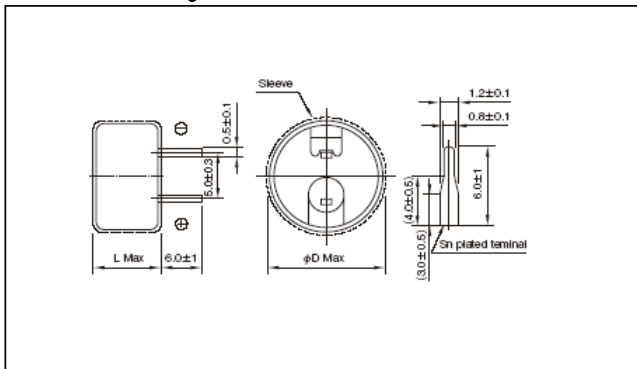
DHL



DH

**規格表**

Item	Performance				
Category temperature range( )	- 40 ~ + 85				
Tolerance at rated capacitance(%)	- 20 ~ + 80				
Internal resistance at 1kHz( )	Rated capacitance(F)	0.047	0.1	0.22	1.0
	Internal resistance ( )	40	40	40	20
Characteristics at high and low temperature	Percentage of capacitance change	Within ± 30% of the value at 20			
	Internal resistance	-40 : Less than 7 times of the value at 20 85 : Less than 5 times of the value at 20			
Endurance(85 )	Test time	1000 hours			
	Percentage of capacitance change	Within ± 30% of the initial measured value			
	Internal resistance	Within 4 times of the initial specified value			
Shelf life(85 )	Test time:1000 hours;Same as endurance.				
Applicable standards	Conform to JIS C 5160-1 2009				

**Outline Drawing****Part numbering system (example:5.5V0.1F)**

DHL	-	5R5	D	104	T
Series code		Max.operating voltage symbol		Rated capacitance symbol	

Part number is refer to below tabale.

**Standard Ratings**

Max operating voltage(V)	Rated capacitance(F)	ELNA Parts No.	D × L (mm)
5.5	0.047	DHL-5R5D473T	13.5 × 9.5
5.5	0.1	DHL-5R5D104T	13.5 × 9.5
5.5	0.22	DHL-5R5D224T	13.5 × 9.5
5.5	1.0	DHL-5R5D105T	21.5 × 9.5

**NOTE**

Design, Specifications are subject to change without notice.

Ask factory for technical specifications before purchase and/or use.

**ELNA CO., LTD.**

3-8-11 Shin-yokohama, kouhoku-ku, yokohama-city, kanagawa, 222-0033 JAPAN

TEL. +81-45-470-7254 FAX. +81-45-470-7260

**ELNA Co.,LTD.**<http://www.elna.co.jp/>

## X-ON Electronics

Largest Supplier of Electrical and Electronic Components

*Click to view similar products for [Supercapacitors](#) / [Ultracapacitors](#) category:*

*Click to view products by [Elna](#) manufacturer:*

Other Similar products are found below :

[C-TEC1225 P](#) [LX055105A](#) [SCCY73B407SLBLE](#) [CDCL3000C0-002R85STB](#) [MDCM0058C0-0016R0TBZ](#) [FE0H473ZF](#) [MAL223551012E3](#)  
[MAL223551014E3](#) [MAL223551015E3](#) [MAL223551016E3](#) [MAL223551006E3](#) [MAL223551007E3](#) [MAL223551001E3](#) [MAL223551008E3](#)  
[MAL219612474E3](#) [MAL219632473E3](#) [DRE10/2.5](#) [DRL106S0TI25RRDAP](#) [DRL226S0TK25RR](#) [106DCN2R7M](#) [SCCT30B156SRB](#)  
[SCMR14C474MSBA0](#) [SCMR22C155MSBA0](#) [FT0H225ZF](#) [GW209F](#) [TV1020-3R0605-R](#) [SCCX50B207VSB](#) [PAS0815LS2R5105](#)  
[HVZ0E475NF](#) [SCMR18F105PSBA0](#) [FT0H565ZF](#) [FE0H224ZF](#) [FCS0H473ZFTBR24](#) [SCCT30E156SRB](#) [MAL222090006E3](#)  
[SCCY68B407SSBLE](#) [CPH3225A-2K](#) [SCMT22C505PRBA0](#) [207DCN2R7M](#) [DB5U307W35050HA](#) [DB5U407W35060HA](#) [DGH505Q5R5](#)  
[DGH505Q2R7](#) [DGH705Q2R7](#) [DGH506Q2R7](#) [DGH357Q2R7](#) [DGH335Q2R7](#) [DGH256Q2R7](#) [DGH255Q5R5](#) [DGH207Q2R7](#)