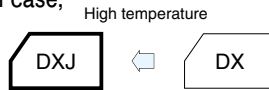


5.5V Miniaturized High Temperature Capacitors

GREEN CAP

85°C

- High temperature type of Series DX.
- 5mm tall. Max. thin profile (H-shaped).
- Miniaturized but can encase up to 0.33F in 11.5×5mm case, and 1.0F in φ19.0×20.5Lmm case.



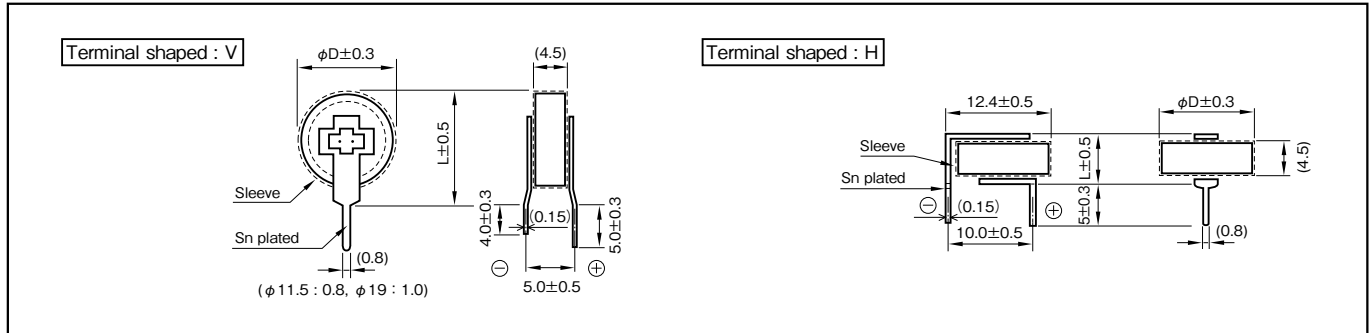
Marking color : White print on a black sleeve

Specifications

Item	Performance					
Category temperature range (°C)	-10 to +85					
Tolerance at rated capacitance (%)	-20 to +80					
Internal resistance at 1 kHz	Rated capacitance (F)	0.047	0.1	0.22	0.33	1
	Internal resistance (Ω Max.)	200	150	150	150	75
Characteristics at high and low temperature	Percentage of capacitance change	Within ±30% of the value at 20°C				
	Internal resistance	Less than four times of the initial specified value.				
Endurance (85°C)	Test time	1000 hours				
	Percentage of capacitance change	Within ±30% of the initial measured value				
	Internal resistance	Less than four times of the initial specified value				
Shelf life (85°C)	Test time : 1000 hours ; Same as endurance.					
Applicable standards	Conforms to JIS C5160-1 2009 (IEC 62391-1 2006)					

Outline Drawing

Unit : mm



Part numbering system (example : 5.5V0.1F)

DXJ	—	5R5	□	104	□	U
Series code		Max.operating voltage symbol	Terminal code	Rated Capacitance symbol	Additional symbol	

Note

Do not apply external force to products or terminals as stress such as twisting, bending, pushing, or falling of such products or terminals may remove the terminals, resulting in an open/short circuit or liquid leakage. Avoid applying excessive heat to capacitors during heating of an adhesive curing oven. For details, refer to the precautions in use of DYNACAP.

Standard Ratings

Max. operating voltage (V)	Rated capacitance (F)	ELNA Parts No.	φD×L (mm)
5.5	0.047	DXJ-5R5V473U	11.5×13.0
		DXJ-5R5H473U	11.5× 5.0
5.5	0.1	DXJ-5R5V104U	11.5×13.0
		DXJ-5R5H104U	11.5× 5.0
5.5	0.22	DXJ-5R5V224U	11.5×13.0
		DXJ-5R5H224U	11.5× 5.0
5.5	0.33	DXJ-5R5V334U	11.5×13.0
		DXJ-5R5H334U	11.5× 5.0
5.5	1	DXJ-5R5V105U	19.0×20.5

NOTE : Design, Specifications are subject to change without notice. It is recommended that you shall obtain technical specifications from ELNA to ensure that the component is suitable for your use.

X-ON Electronics

Largest Supplier of Electrical and Electronic Components

Click to view similar products for [elna](#) manufacturer:

Other Similar products are found below :

[RFS-35V102MK8#5](#) [DBJ-5R5D105T](#) [RVJ-50V101MH10U-R](#) [RFS-63V471MK85](#) [RFS-50V2R2MF35](#) [RVS-50V010MU-R](#) [PVM-10V470ME60E-R2](#) [RFS-50V100MG3#5](#) [DZN-2R5D506T](#) [RFS-50V471MJ85](#) [RFS-25V220MF3#5](#) [RV2-35V100MU-R](#) [DBN-5R5D104T](#) [PVM-10V221MG70E-R2](#) [RFS-10V332MK9#5](#) [DZ-2R5D506T](#) [459546X](#) [DZH-2R5D307S57T](#) [LAO-63V103MS47PX#B](#) [RFS-25V100ME3#5](#) [RJH-25V222MI9#](#) [RFS-35V471MJ75](#) [LAO-80V103MS57PXT#B](#) [ROB-10V682MK9](#) [ROB-10V682MK9#](#) [DX-5R5V104U](#) [LA5-100V103MS5BP#B](#) [RFS-16V102MJ75](#) [DX-5R5H104U](#) [DVL-5R5D473T-R5](#) [DXJ-5R5H334U](#) [RFS-10V332MK95](#) [RFS-16V102MJ7#5](#) [DC-2R5D204T614](#) [RFS-35V331MJ65](#) [RFS-50V221MJ65](#) [RE3-35V222MJ6#](#) [RFS-50V102MK9#5](#) [DBN-5R5D105T](#) [RFS-25V220ME3#5](#) [ROB-100V470MH5](#) [ROB-100V470MH5#](#) [DVN-5R5D224T-R5](#) [RFS-35V221MI65](#) [DZ-2R5D106T](#) [RFS-6V470MF3#5](#) [DHL-5R5D224GT](#) [DCK-3R3E224U-E](#) [RFS-100V101MJ65](#) [ROB-100V101MI5](#)