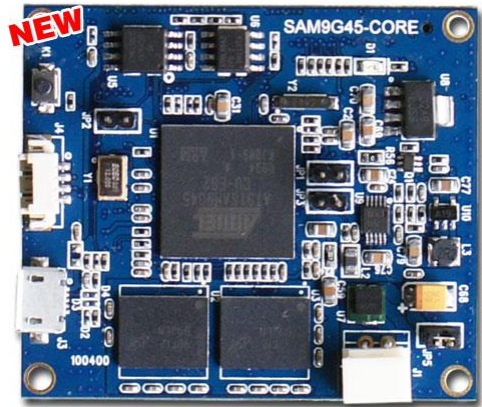


ATMEL MBC-SAM9G45 Core Board

Delivery Wt:1.5lb

The MBC-SAM9G45 is a ARM9 module board produced by Embest, built in with powerful ATMEL AT91SAM9G45 embedded microprocessor which is based on the integration of an ARM926EJ-S core with fast SRAM and a wide range of peripherals. It is an ideal processor card easy to integrate in your solution, or a minimum system and/or a reference board for your next design.



- Atmel AT91SAM9G45, ARM926EJ-S Core, 400MHz, 64KB ROM, 64KB SRAM
- External memory: 4MB DataFlash, 256MB NandFlash, 64KB EEPROM and 128MB DDR2 SDRAM
- Preinstalled Linux2.6 and support WinCE6.0 OS
- Dimensions: 45mm x 52mm



Front



Bottom

Board Dimension

- Board size: 45mm x 52mm x 11mm (Length * Width * Thickness)
- Interface type: QSH-060-01-L-D-A
- Connector gap: 0.5mm
- Pins: 120
- Board layers: 8

- Power supply: 5V DC or powered by base board.
- Weight: 15.2g

Features

CPU: ATMEL AT91SAM9G45, ARM926EJ-S Core, 400MHz

- 32 KBytes Data Cache, 32 KBytes Instruction Cache, with MMU
- Internal memory: one 64KB ROM and one 64KB SRAM

On board memory: 4MB DataFlash, 256MB NandFlash, 64KB EEPROM and 128MB DDR2 SDRAM

One Micro USB connector

One Serial Port (TTL)

JTAG interface support debugging and downloading

Crystal: 12MHz for CPU and 32.768KHz for RTC

Power Supply: 5V, with power on indicated LED

OS: Preinstalled Linux2.6, support WinCE6.0 (BSPs Free)

Dimension: 52 x 45mm

Temperature range: -20 to +70 Celsius

Expansion interface: 120 Pins to carrier board. The module is led out most signals of ATMEL AT91SAM9G45 processor, like UART, Ethernet, LCD, Touch Screen, USB Host, USB Device, ADC, DAC, SPI, SDIO, GPIOs and so on.

Development Reference

General

This core board is an ARM9 minimum system to start learning and developing an ARM9 application, it is also an idea ARM9 card to integrate into your product. It extent most of the signal of AT91SAM9G45 processor to an interface (QSH-060-01-L-D-A). And it can be used to evaluate your application base on one of the mother board (part# MBM-SAM-9G), which is led out most signals of ATMEL AT91SAM9G45, like UART, Ethernet, LCD, Touch Screen, USB Host, USB Device, ADC, DAC, SPI, SDIO, GPIOs and so on.

Jumper



2.0mm Pin Header

2.0 Pin Header	J1	VDDBU Power Supply	
	Close	From +3V	Default

	Open	From VDDDBU connect to mother board	
2.0 Pin Header	J2	Chip Select (CS)	
	Close	Enable the Data Flash CS (U5)	
	Open	Disable the Data Flash CS (U5)	Default
2.0 Pin Header	J3	Chip Select (CS)	
	Close	Enable the Nand Flash CS (U4)	Default
	Open	Disable the Nand Flash CS (U4)	
2.0 Pin Header	J4	Core Board Power Supply	
	Close	+5V External Power Adapter	Default
	Open	From +5V connect to mother board	

Connector

2.5 Low Profile Wafer	J1	+5V Power Supply	
	Pin 1	5V	
	Pin 2	GND	
MicroUSB	J3	MicroUSB Port, Device or OTG (if R61 mounted)	
	Pin 1	5V	
	Pin 2	D-	
	Pin 3	D+	
	Pin 4	ID	
	Pin 5	GND	
1.25 Pitch 90 Wafer-SMT	J4	UART Serial Port (TTL)	
	Pin 1	3V3	
	Pin 2	DTXD	
	Pin 3	DRXD	

	Pin 4	GND	
--	-------	-----	--

Extension Bus Interface

On Main Board Connector (AC-QTH602)

On Core Board Connector (AC-QSH602)

Expansion Signal / Interface

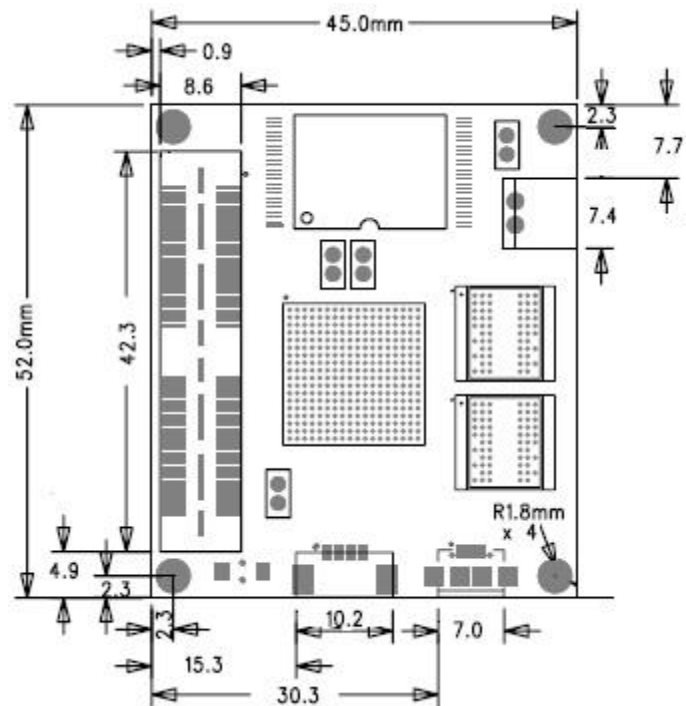
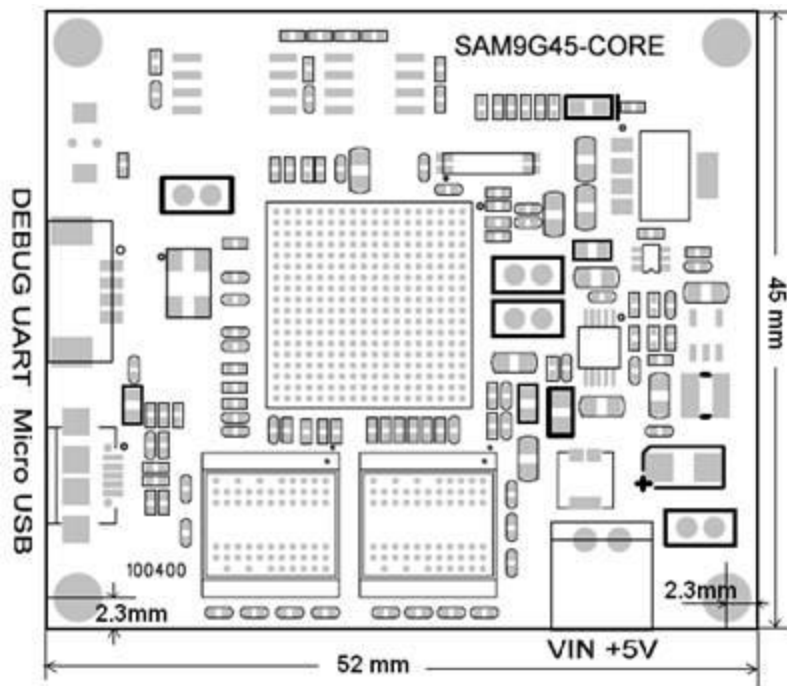
Expansion Signal Description (J2)	Nos	Signal Pins
UART (TTL Level)	4	50,52,68,72;54,56;58,60;110,112
Debug UART (TTL Level)	1	25,27
USB Host, Device or OTG	1	6,8,74,76
Ethernet Port (RMII)	1	3,5,7,9,11,13,15,17,19,21
IIC Signal	2	32,34,114,116
SPI	2	18,50,52;66,68,70,72,74
LCD Interface (RGB, max 24bits)	1	31,33,35,37,39,41,43,45,47,49,51,53,55,57,59,61,63,65,67,69,71,73,75,77,79,81,83,87,89,91,93
SD Card (MCI)	1	107,109,111,113,115,117
Timer Counter -TIOA	5	78,97,99,103,109,115
Timer Counter -TIOB	2	111,117
PWM	2	74,76
AD Input	4	97,99,101,103
SSC (IIS)	1	18,20,22,24,26,28
AC97 Signal	1	78,80,74,76
ISI Image Sensor Interface	1	86,88,90,92,94,96,98,100,102,104,106,108,110,112,114,116
JTAG Signal	1	38,40,42,44,46,48

IO Ports (PA)	18	32,34,3,5,7,9,11,13,15,17,19,21,107,109,111,113,115,117
IO Ports (PB)	28	50,52,54,56,58,60,66,68,70,72,86,88,90,92,94,96,98,100,102,104,106,108,110,112,114,116,25,27
IO Ports (PD)	16	18,20,22,24,26,28,30,74,76,78,80,23,97,99,101,103
IO Ports (PE)	31	31,33,35,37,39,41,43,45,47,49,51,53,55,57,59,61,63,65,67,69,71,73,75,77,79,81,83,87,89,91,93
Reset Signal (NRST)	1	36
DC5V	4	1,2,119,120
VDDBU	1	82
GND	9	4,10,16,84,118,29,85,95,105
NC (reserved)	2	12,14
Power Management Status (SHDN and WKUP)	2	62,64

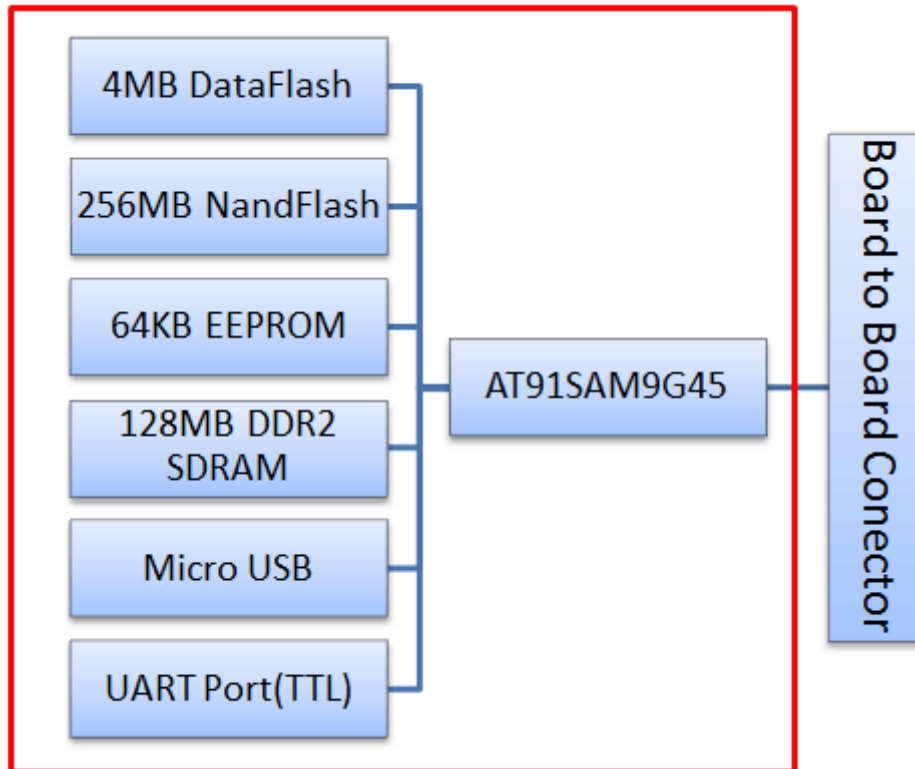
Signal Descriptions in Detail >>More

Mechanical Parameter

- Dimension: 45mm x 52mm x 11mm (Length x Width x Thickness)
- Base Board Connector
 - Interface type: AC-QSH602
 - Pins gap: 0.5mm
 - Pins: 120
- PCB layers: 8
- Power supply: 5V DC or powered by base board.
- Weight: 15.4g



Block Diagram



X-ON Electronics

Largest Supplier of Electrical and Electronic Components

Click to view similar products for [Embest manufacturer](#):

Other Similar products are found below :

[CAM8000-D MODULE](#) [SBC8118 WITH 4.3"LCD](#) [VGA8000 MODULE](#) [DEVKIT8500D WITHOUT LCD](#) [MARS BOARD WITH 9.7"LCD](#)

[COLINKEX](#) [MINI6245 PROCESSOR CARD](#) [EMBEDDED PI](#) [EVK-PH8800](#) [AMG8832EK](#) [MBC-SAM9G25](#) [SBC8600B WITH 7"LCD](#)

[CAM8200-U MODULE](#) [SBC-EC8800](#) [1401148](#)