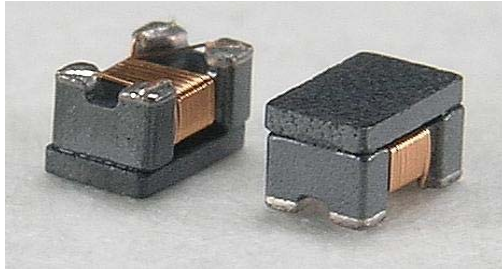

CMF2012H Series

Common Mode SMD Filter for Signal Line

FEATURES

- The broadband common mode filter is developed for high-speed differential signal interfaces such as HDMI.
- To make a great effect on EMC in the very high frequency, the cutoff frequency in differential mode is 6 GHz, and there is almost no distortion on high speed differential signal.



APPLICATIONS

- Used for digital visual interface (HDMI) or other high-speed differential signal interface.

PRODUCT IDENTIFICATION

CMF 2012 H3 - 900 - 2P - T

(1) (2) (3) (4) (5) (6)

(1) Product name

(2) Shapes and Dimensions

(3) Product identification number

(4) Impedance

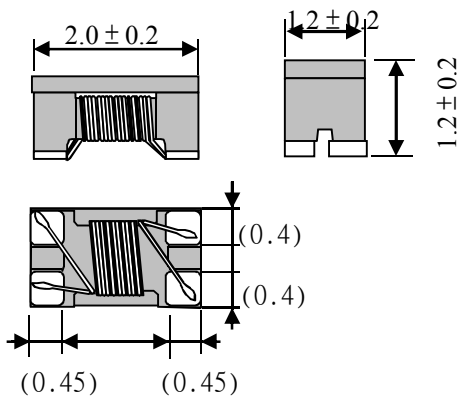
900: 90Ω

(5) Number of line

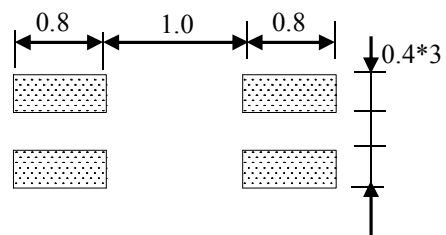
2P:2-Line

(6) Taping style

SHAPES AND DIMENSIONS



RECOMMENDED FOOTPRINT



Unit:mm

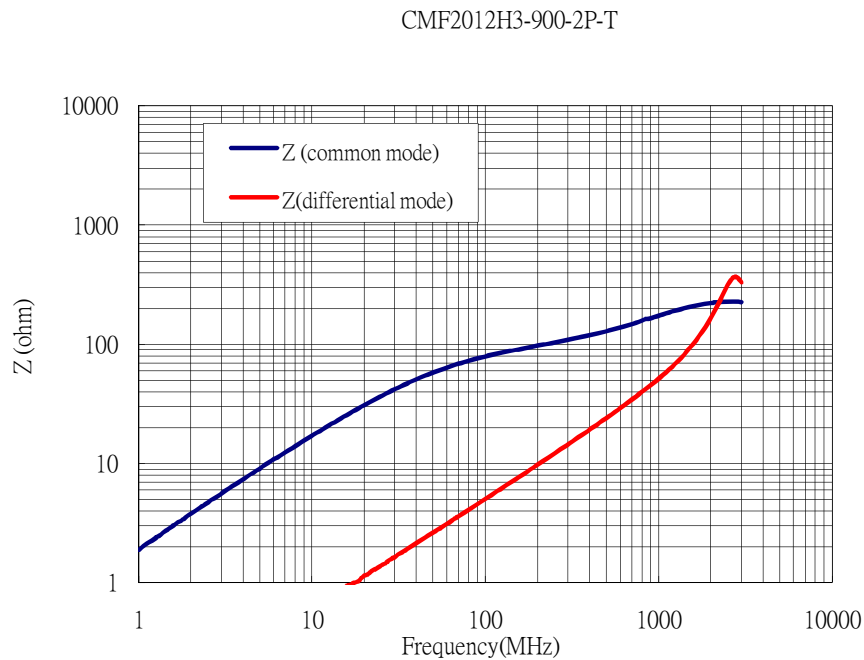
CMF2012H Series

Common Mode SMD Filter for Signal Line

ELECTRICAL CHARACTERISTICS

Our Product Part Number	Common-Mode Impedance $Z(\Omega)$ at 100MHz	DC Resistance $R_{dc}(\Omega)$ Max.	Rated Current $I_{dc}(mA)$ Max.	Rated Voltage $V_{dc}(V)$	Cut-off Frequency (GHz)Typ.	Insulation Resistance $(M\Omega)$ Min.
CMF2012H3-900-2P-T	65min. (90typ.)	0.25	300	20	6	10

Characteristics(Impedance vs. Frequency)



X-ON Electronics

Largest Supplier of Electrical and Electronic Components

Click to view similar products for [Common Mode Chokes / Filters](#) category:

Click to view products by [EMTEK](#) manufacturer:

Other Similar products are found below :

[74279408](#) [PE-62911NL](#) [PE-64683](#) [RD5122-6-9M6](#) [RGCMF1210900H3T](#) [ST6118T-R](#) [FE3X025-10-7NL](#) [T8114NLT](#) [RD5122-10-6M0](#)
[TCM0806G-350-2P-T](#) [TCM0806G-650-2P-T](#) [B2013FNLT](#) [IND-0110](#) [UAL21V07012500](#) [UAL21VR0802000](#) [UAL24VR06500CH](#)
[UALSC023000000](#) [UALSC1020JH000](#) [UALSC1520JH000](#) [UALSU10VR15019](#) [UALSU9HF060300](#) [UALSU9VD070100](#) [36-00037](#)
[5701610000](#) [UALW21HS200290](#) [UALW21HS072450](#) [UALSU9VD070400](#) [UALSU9HF050500](#) [UALSU9H0208000](#) [UAL24VK06450CH](#)
[PLT10HH401100PNB](#) [PLT10HH1026R0PNB](#) [PE-67531](#) [TLH10UB](#) [113 0R5](#) [2752045447](#) [CMS3-11-R](#) [7351V](#) [7408-RC](#) [CMF16-153131](#)
[744252510](#) [T8116NLT](#) [CMS2-10-R](#) [DLW44SN101SK2L](#) [FE2X10-4-2NL](#) [744253200](#) [744253101](#) [744252220](#) [TX8111NLT](#)
[UAL30VR3500470](#) [CTX01-19077-R](#)