

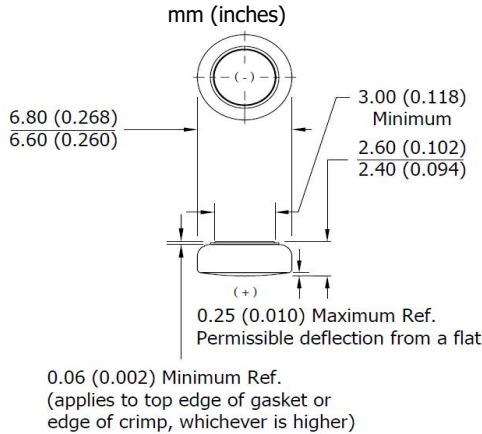
ENERGIZER 377/376

ZEROMERCURY®

SILVER OXIDE



Industry Standard Dimensions



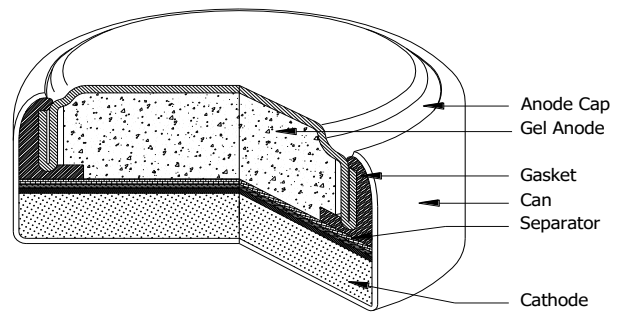
DESIGNED FOR USE ON CONTINUOUS LOW DRAIN
HIGH PULSE ON DEMAND

Specifications

Chemical System:	Silver Oxide (Zn/Ag ₂ O)
Designation:	ANSI/NEDA-1176SO, IEC-SR66
Nominal Voltage:	1.55 Volts
Typical Capacity:	24 mAh* (to 1.2 volts)
Capacity Test:	47K ohm continuous drain at 21°C
Typical Weight:	0.42 grams (0.015 oz.)
Typical Volume:	0.09 cubic centimeters (0.0063 cubic inch)
Impedance (40 Hz):	15 to 30 ohms

* Varies according to the applied load, temperature, and cutoff voltage.

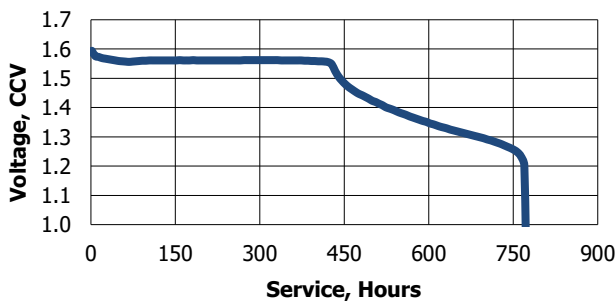
Cross Section



Typical Discharge Characteristics

Typical Performance at 21°C (70°F)

Schedule: Continuous
Typical Drain @1.46V:
0.031 milliamperes
Load: 47K ohm

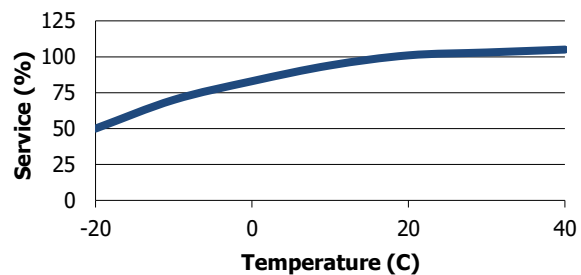


Schedule	Typical Drains at 1.46V (milliamperes)	Load (ohm)	Cutoff (hours)
Continuous	0.031	47K	773

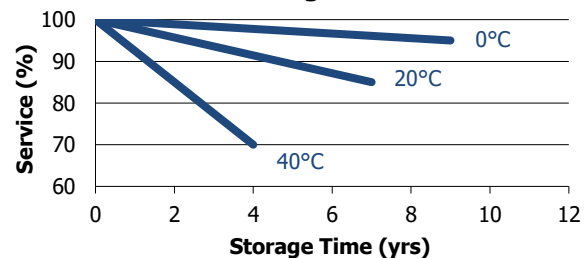
Temperature Characteristics

Typical Performance at Low Discharge Rates

Service Effects



Storage Effects



Important Notice

This datasheet contains typical information specific to products manufactured at the time of its publication.
Contents herein do not constitute a warranty and are for reference only.

X-ON Electronics

Largest Supplier of Electrical and Electronic Components

Click to view similar products for [Battery Packs](#) category:

Click to view products by [Energizer](#) manufacturer:

Other Similar products are found below :

[R101-B](#) [4600 726 406](#) [4610 726 406](#) [312G-U1](#) [55615602059](#) [55615703012](#) [55750404014](#) [DL1/3N](#) [4606 726 406](#) [4607 726 406](#) [ZA13](#)
[LR03/AAA/MN2400\(K4\)](#) [LR03 MAXELL S4](#) [LR1130 MAXELL B10](#) [LR14-MN1400-C K2](#) [LR1/910A](#) [LR41 MAXELL B10](#) [LR43](#) [LR43](#)
[MAXELL B10](#) [LR6 MAXELL S4](#) [E23A](#) [E90](#) [55615201501](#) [55750201501](#) [625302](#) [625304](#) [637871](#) [638006](#) [6LF22/9V/MN1604\(K1\)C&B](#)
[6LF22/9V/MN1604 PLUS](#) [6LR61](#) [SR626SW MAXELL](#) [SR920SW MAXELL](#) [7K67 J](#) [55615303059](#) [GP 15AU ULTRA PLUS B4](#) [GP15E](#)
[GP1604GLF-2UE1](#) [GP 1604 ULTRA PLUS](#) [GP 24AU ULTRA PLUS B4](#) [10 ET](#) [675 ET](#) [11A B5](#) [A544](#) [A76-U10](#) [13G U2](#) [7733](#)
[4112101411](#) [4 022 211 111](#) [GP24A/FO2 SUPER](#)