

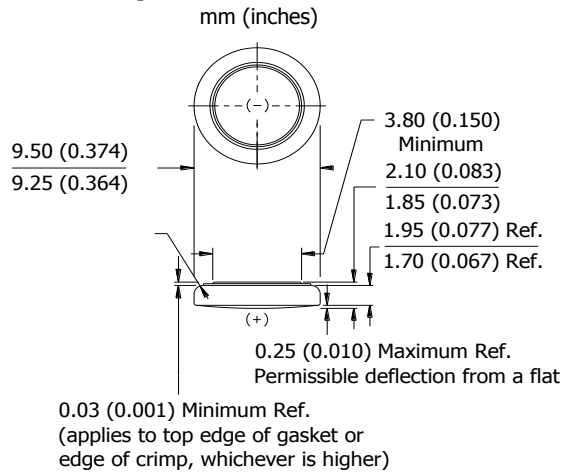
ENERGIZER 371/370

**ZEROMERCURY**

**SILVER OXIDE**



**Industry Standard Dimensions**



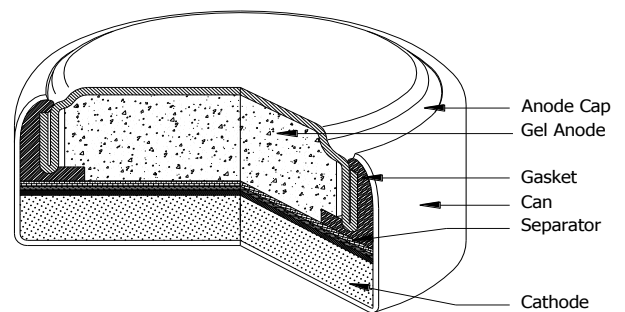
DESIGNED FOR USE ON CONTINUOUS LOW DRAIN  
HIGH PULSE ON DEMAND

**Specifications**

<b>Chemical System:</b>	Silver Oxide (Zn/Ag <sub>2</sub> O)
<b>Designation:</b>	IEC-SR69
<b>Nominal Voltage:</b>	1.55 Volts
<b>Typical Capacity:</b>	34 mAh* (to 1.2 volts)
<b>Capacity Test:</b>	33K ohm continuous drain at 21°C
<b>Typical Weight:</b>	0.7 grams (0.023 oz.)
<b>Typical Volume:</b>	0.15 cubic centimeters (0.009 cubic inch)
<b>Impedance (40 Hz):</b>	10 to 20 ohms

\* Varies according to the applied load, temperature, and cutoff voltage.

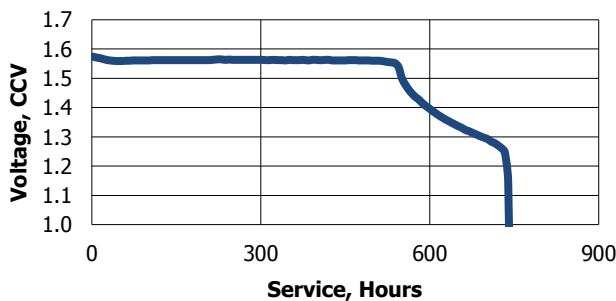
**Cross Section**



**Typical Discharge Characteristics**

Typical Performance at 21°C (70°F)

**Schedule:** Continuous  
**Typical Drain @1.53V:**  
0.046 milliamperes  
**Load:** 33K ohm

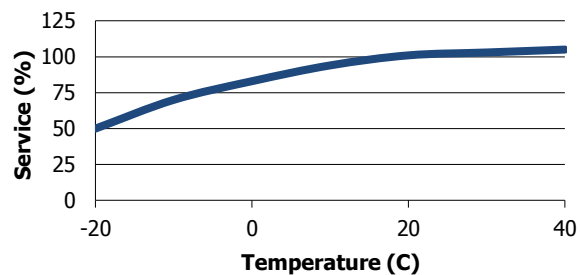


<u>Schedule</u>	<u>Typical Drains</u> at 1.53V (milliamperes)	<u>Load</u> (ohm)	<u>Cutoff</u> 1.2V (hours)
Continuous	0.046	33K	734

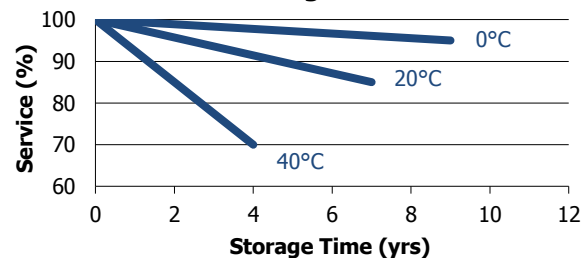
**Temperature Characteristics**

Typical Performance at Low Discharge Rates

**Service Effects**



**Storage Effects**



**Important Notice**

This datasheet contains typical information specific to products manufactured at the time of its publication.  
©Energizer Holdings, Inc. - Contents herein do not constitute a warranty.

## X-ON Electronics

Largest Supplier of Electrical and Electronic Components

*Click to view similar products for [Battery Packs](#) category:*

*Click to view products by [Energizer](#) manufacturer:*

Other Similar products are found below :

[R101-B](#) [4600 726 406](#) [4610 726 406](#) [312G-U1](#) [55615602059](#) [55615703012](#) [55750404014](#) [DL1/3N](#) [4606 726 406](#) [4607 726 406](#) [ZA13](#)  
[LR03/AAA/MN2400\(K4\)](#) [LR03 MAXELL S4](#) [LR1130 MAXELL B10](#) [LR14-MN1400-C K2](#) [LR1/910A](#) [LR41 MAXELL B10](#) [LR43](#) [LR43](#)  
[MAXELL B10](#) [LR6 MAXELL S4](#) [E23A](#) [E90](#) [55615201501](#) [55750201501](#) [625302](#) [625304](#) [637871](#) [638006](#) [6LF22/9V/MN1604\(K1\)C&B](#)  
[6LF22/9V/MN1604 PLUS](#) [6LR61](#) [SR626SW MAXELL](#) [SR920SW MAXELL](#) [7K67 J](#) [55615303059](#) [GP 15AU ULTRA PLUS B4](#) [GP15E](#)  
[GP1604GLF-2UE1](#) [GP 1604 ULTRA PLUS](#) [GP 24AU ULTRA PLUS B4](#) [10 ET](#) [675 ET](#) [11A B5](#) [A544](#) [A76-U10](#) [13G U2](#) [7733](#)  
[4112101411](#) [4 022 211 111](#) [GP24A/FO2 SUPER](#)