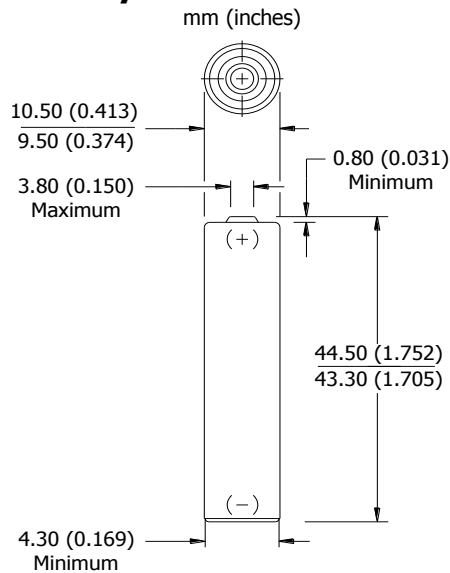


# ENERGIZER NH12-700

**AAA**

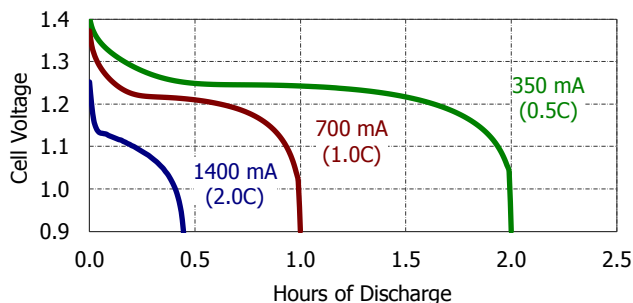
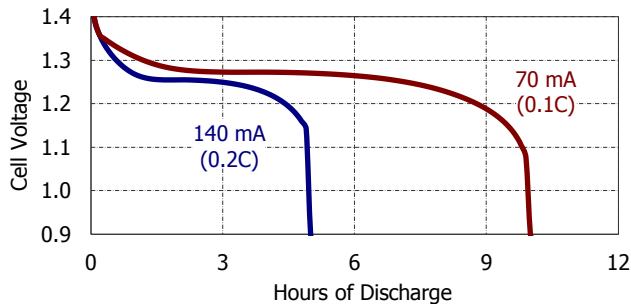


## Industry Standard Dimensions



## Discharge Characteristics

Typical Performance at 21°C (70°F)



## Specifications

<b>Classification:</b>	Rechargeable
<b>Chemical System:</b>	Nickel-Metal Hydride (NiMH)
<b>Designation:</b>	ANSI-1.2H1
<b>Nominal Voltage:</b>	1.2 Volts
<b>Rated Capacity:</b>	700 mAh* at 21°C (70°F)
<b>Typical Weight:</b>	12.0 grams (0.4 oz.)
<b>Typical Volume:</b>	3.8 cubic centimeters (0.2 cubic inch)
<b>Terminals:</b>	Flat Contact
<b>Jacket:</b>	Plastic

\* Based on 140 mA (0.2C rate) continuous discharge to 1.0 volts.

## Internal Resistance:

The internal resistance of the cell varies with state of charge, as follows:

<u>Cell Charged</u>	<u>Cell 1/2 Discharged</u>
100 milliohms	120 milliohms
(tolerance of ±20% applies to above values)	

## AC Impedance (no load):

The impedance of the charged cell varies with frequency, as follows:

<u>Frequency (Hz)</u>	<u>Impedance (milliohms)</u> (charged cell)
1000	35

Above values based on AC current set at 1.0 ampere.  
Value tolerances are ±20%.

## Operating and Storage Temperatures:

To maintain maximum performance, observe the following general guidelines regarding environmental conditions:

Charge:	0°C to 40°C (32°F to 104°F)
Discharge:	0°C to 50°C (32°F to 122°F)
Storage:	-20°C to 30°C (-4°F to 86°F)
Humidity:	65±20%

**NOTE:** Operating at extreme temperatures, will significantly impact battery cycle life.

## Important Notice

This data sheet contains typical information specific to products manufactured at the time of its publication.  
©Energizer Holdings, Inc. - Contents herein do not constitute a warranty.

## X-ON Electronics

Largest Supplier of Electrical and Electronic Components

*Click to view similar products for [NiMH - Nickel Metal Hydride Battery category](#):*

*Click to view products by [Energizer manufacturer](#):*

Other Similar products are found below :

[CL-R6/2X5-1500B](#) [NH-2100A](#) [NH-600AAA](#) [HHR-450AB21](#) [270AAHCE-EB4](#) [HHR-26SCP Y01](#) [NH-1500AA](#) [HHR-210AHA01](#) [BK-110FHB01](#) [NH1250AA](#) [NH-3000SC](#) [65AAAHCE](#) [7638900416992](#) [7638900417005](#) [NH-1250AAL](#) [NH-7000D](#) [AA220](#) [AA220 ST](#) [ACCU-600/3NI-MH/CL](#) [ACCU-R14/2500/EG-B](#) [ACCU-R14/3000GP](#) [ACCU-R20/2500/EG-B](#) [ACCU-R22/175-EG](#) [ACCU-R3/750/DR](#) [ACCU-R6/2000-EG-B](#) [ACCU-SC/L-3000](#) [VH DL 9500](#) [VH FL 15000](#) [VHT 7/5CS](#) [VHT AAL](#) [VHT CS](#) [VHT D](#) [VHT F](#) [CL-R6/2S1P-1500B](#) [CL-R6/2X3-1500B](#) [CL-R6/2X4-1500B](#) [CL-R6/3S1P-1500B](#) [CL-R6/4S1P-1500B](#) [CL-R6/2X6-1500P](#) [CL-R6/5S1P-1500B](#) [CL-R6/6S1P-1500B](#) [DURACELL AA 1300MAH BLISTER B4](#) [DURACELL AAA 850 MAH DX2400 BLISTER B4](#) [J-SC3000X](#) [HHR200SCP](#) [ACCU-4/3A/L](#) [ACCU-4/5A/L/2](#) [BK-200AAB9B](#) [BK-250AB01](#) [BK-80AAAB9B](#)