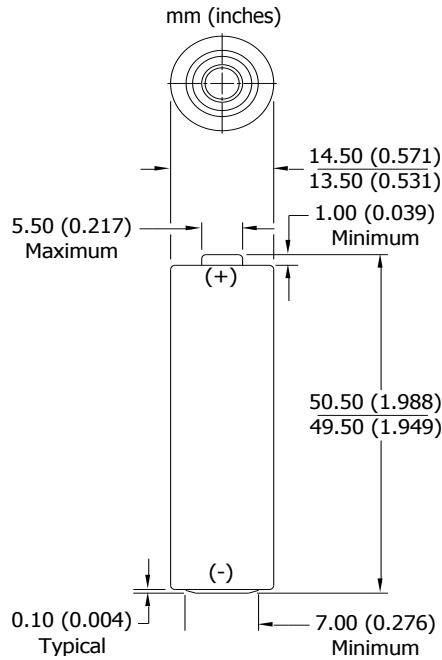


# MAX PLUS EP91

**AA**



## Industry Standard Dimensions

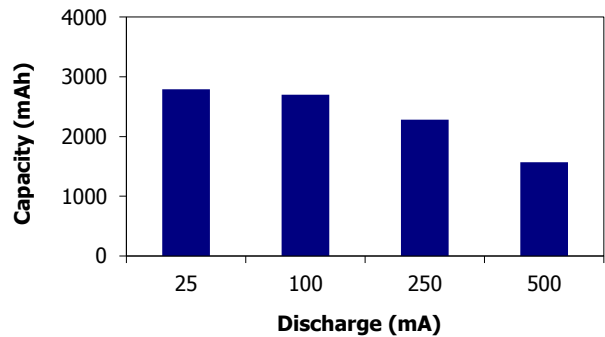


## Specifications

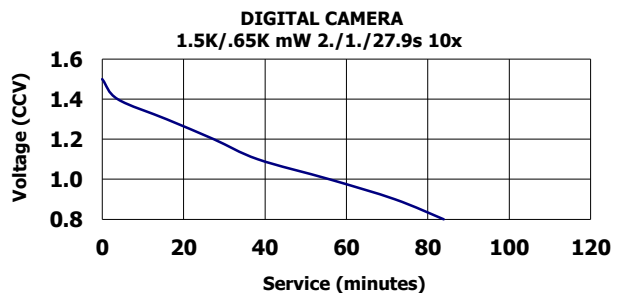
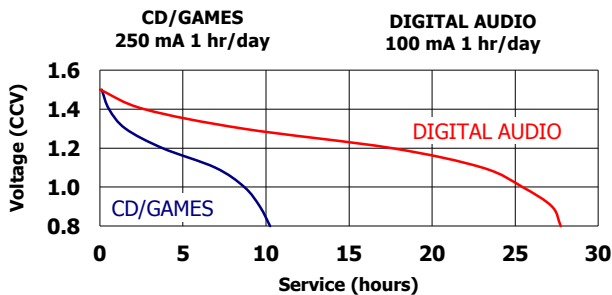
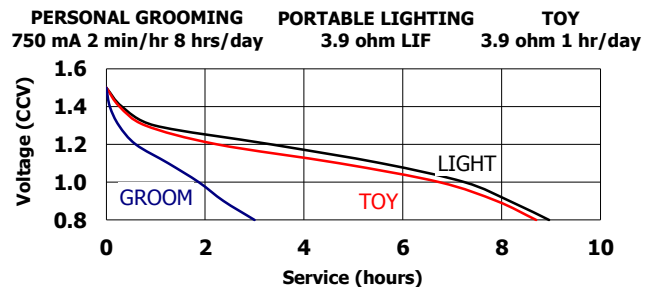
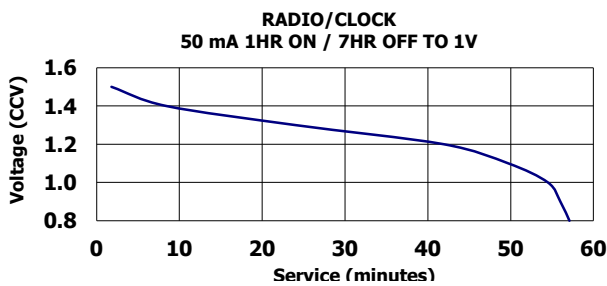
<b>Classification:</b>	Alkaline
<b>Chemical System:</b>	Zinc-Manganese Dioxide (Zn/MnO <sub>2</sub> ) No added mercury or cadmium
<b>Designation:</b>	ANSI-15A, IEC-LR6
<b>Nominal Voltage:</b>	1.5 volts
<b>Nominal IR:</b>	150 to 300 milliohms (fresh)
<b>Operating Temp:</b>	-18°C to 55°C (0°F to 130°F)
<b>Typical Weight:</b>	23.0 grams (0.8 oz.)
<b>Typical Volume:</b>	8.1 cubic centimeters (0.5 cubic inch)
<b>Jacket:</b>	Plastic Label
<b>Shelf Life:</b>	12 years at 21°C
<b>Terminal:</b>	Flat Contact

## Milliamp-Hours Capacity

Continuous discharge to 0.8 volts at 21°C



## Industry Standard Tests (21°C)



### Important Notice

This datasheet contains typical information specific to products manufactured at the time of its publication.  
**Contents herein do not constitute a warranty and are for reference only.**

## X-ON Electronics

Largest Supplier of Electrical and Electronic Components

*Click to view similar products for* [Cylindrical Battery Contacts, Clips, Holders & Springs](#) *category:*

*Click to view products by* [Energizer](#) *manufacturer:*

Other Similar products are found below :

[12BH36A-GR](#) [200](#) [161](#) [183](#) [270](#) [QX3506](#) [5220](#) [5230](#) [1055](#) [1088](#) [5250](#) [KT0008](#) [1119](#) [5207](#) [246](#) [BWCD-L4.5W2.0H2.3](#) [BWCD-L6.0W2.0H2.0](#) [BW0041BG-L2.5W1.0H1.5](#) [BW0031AG-L3.5W1.0H3.0](#) [BWCD-L5.0W2.0H2.5](#) [BW0019CG-L3.5W1.5H4.3](#) [BW0036AG-L3.5W1.0H1.4](#) [BW0034AG-L3.5W0.9H1.5](#) [BW0033BG-L3.4W0.9H2.0](#) [BW0041CG-L2.5W1.0H1.8](#) [BW0028AG-L3.5W1.5H2.05](#) [BW0098DG-L4.0W1.5H2.0](#) [BW0019BG-L3.5W1.5H3.8](#) [BWCD-L6.5W2.0H2.0](#) [BWCD-L4.0W2.0H1.0](#) [BWCD-L5.5W2.0H3.0](#) [BW0019AG-L3.5W1.5H3.5](#) [BWCD-L3W2.0H1.0](#) [ECT818002831](#) [ECT81800A081](#) [ECT818003141](#) [ECT81800B009](#) [ECT818002399](#) [F9-7-6-0.4Z](#) [F8-10-0.4-1.3](#) [F10-10-6-0.4-1.3](#) [F8-8-5-0.4Z](#) [F10-12-0.4-1.3](#) [F10-10-6.5-0.4P](#) [F10-10-6.5-0.4 Z](#) [GP SUPER 14A \(LR14\) SHRINK 2 LR20 INDUSTRIAL INTENSE](#) [CW332](#) [PCL5A](#) [EGWW29](#)