

MAX PLUS EP92

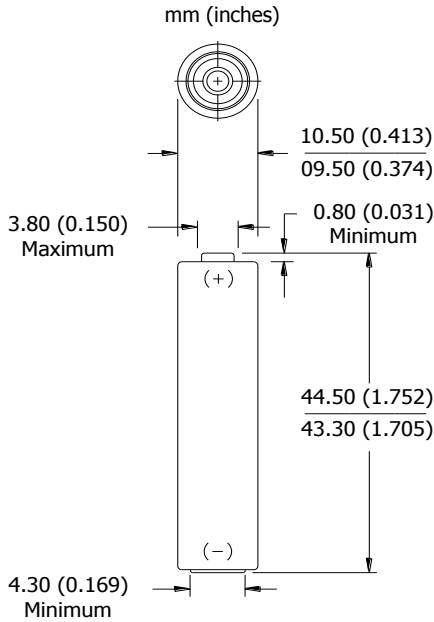
AAA



Specifications

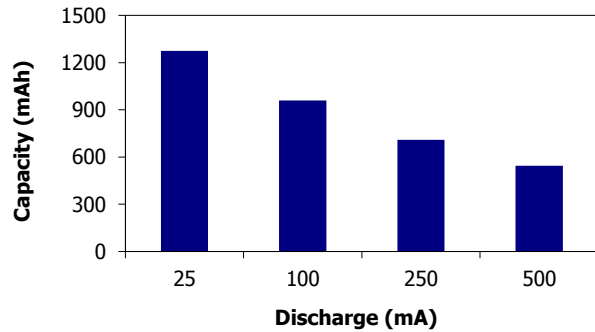
Classification:	Alkaline
Chemical System:	Zinc-Manganese Dioxide (Zn/MnO ₂) No added mercury or cadmium
Designation:	ANSI-24A, IEC-LR03
Nominal Voltage:	1.5 volts
Nominal IR:	150 to 300 milliohms (fresh)
Operating Temp:	-18°C to 55°C (0°F to 130°F)
Typical Weight:	11.5 grams (0.4 oz.)
Typical Volume:	3.8 cubic centimeters (0.2 cubic inch)
Jacket:	Plastic Label
Shelf Life:	10 years at 21°C
Terminal:	Flat Contact

Industry Standard Dimensions

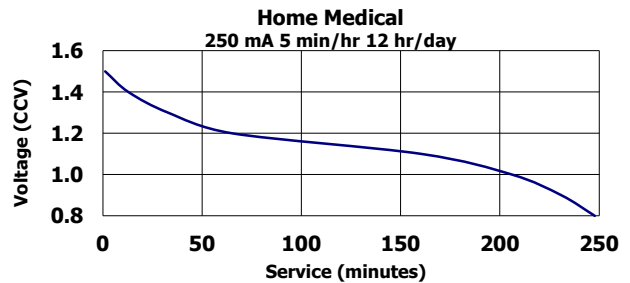
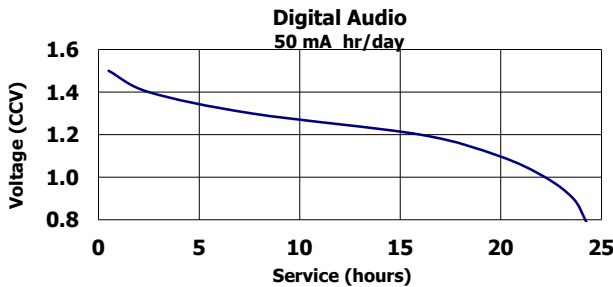
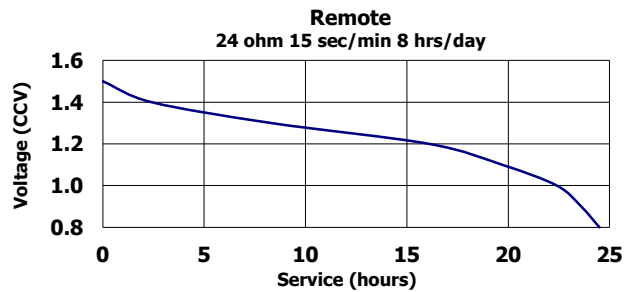
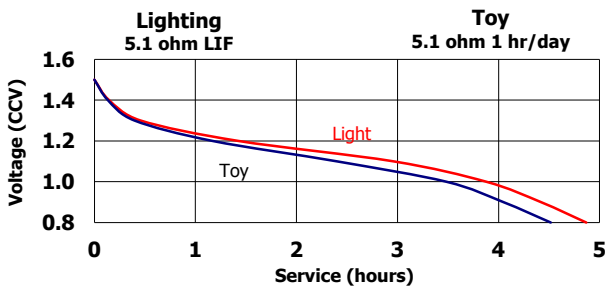


Milliamp-Hours Capacity

Continuous discharge to 0.8 volts at 21°C



Industry Standard Tests (21°C)



Important Notice

This datasheet contains typical information specific to products manufactured at the time of its publication. Contents herein do not constitute a warranty and are for reference only.

X-ON Electronics

Largest Supplier of Electrical and Electronic Components

Click to view similar products for [Cylindrical Battery Contacts, Clips, Holders & Springs](#) *category:*

Click to view products by [Energizer](#) *manufacturer:*

Other Similar products are found below :

[12BH36A-GR](#) [200](#) [161](#) [183](#) [270](#) [QX3506](#) [5220](#) [5230](#) [1055](#) [1088](#) [5250](#) [KT0008](#) [1119](#) [5207](#) [246](#) [BWCD-L4.5W2.0H2.3](#) [BWCD-L6.0W2.0H2.0](#) [BW0041BG-L2.5W1.0H1.5](#) [BW0031AG-L3.5W1.0H3.0](#) [BWCD-L5.0W2.0H2.5](#) [BW0019CG-L3.5W1.5H4.3](#) [BW0036AG-L3.5W1.0H1.4](#) [BW0034AG-L3.5W0.9H1.5](#) [BW0033BG-L3.4W0.9H2.0](#) [BW0041CG-L2.5W1.0H1.8](#) [BW0028AG-L3.5W1.5H2.05](#) [BW0098DG-L4.0W1.5H2.0](#) [BW0019BG-L3.5W1.5H3.8](#) [BWCD-L6.5W2.0H2.0](#) [BWCD-L4.0W2.0H1.0](#) [BWCD-L5.5W2.0H3.0](#) [BW0019AG-L3.5W1.5H3.5](#) [BWCD-L3W2.0H1.0](#) [ECT818002831](#) [ECT81800A081](#) [ECT818003141](#) [ECT81800B009](#) [ECT818002399](#) [F9-7-6-0.4Z](#) [F8-10-0.4-1.3](#) [F10-10-6-0.4-1.3](#) [F8-8-5-0.4Z](#) [F10-12-0.4-1.3](#) [F10-10-6.5-0.4P](#) [F10-10-6.5-0.4 Z](#) [GP SUPER 14A \(LR14\) SHRINK 2 LR20 INDUSTRIAL INTENSE](#) [CW332](#) [HC4](#) [PCL5A](#)