

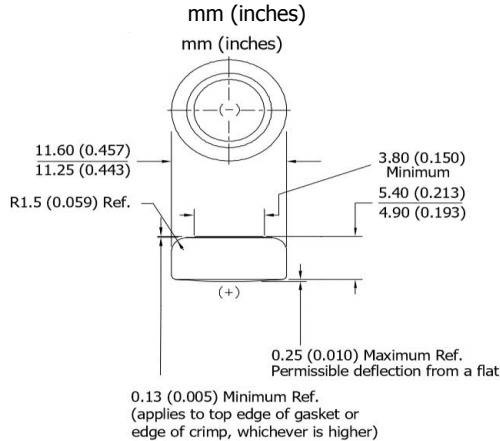
ENERGIZER A76

ZEROMERCURY®

MINIATURE ALKALINE



Industry Standard Dimensions



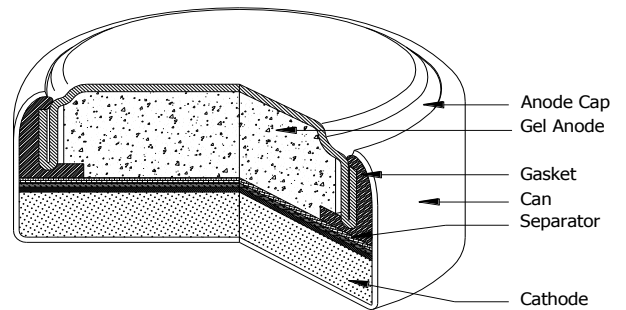
DESIGNED FOR ELECTRONIC APPLICATIONS
WHICH MAY REQUIRE HIGH RATE PULSES

Specifications

Chemical System:	Manganese Dioxide (MnO ₂)
Designation:	ANSI/NEDA 1166A, IEC-LR44
Nominal Voltage:	1.5 Volts
Typical Capacity:	175 mAh* (to 0.9 volts)
Capacity Test:	6.8K ohm continuous drain at 21°C (70°F)
Typical Weight:	1.85 grams (0.07 oz.)
Typical Volume:	0.57 cubic centimeters (0.035 cubic inch)
Impedance (40 Hz):	5 to 15 ohms
Max Bulge:	This battery will bulge as it is discharged, but will not exceed the maximum height shown on the battery drawing.

* Varies according to the applied load, temperature, and cutoff voltage.

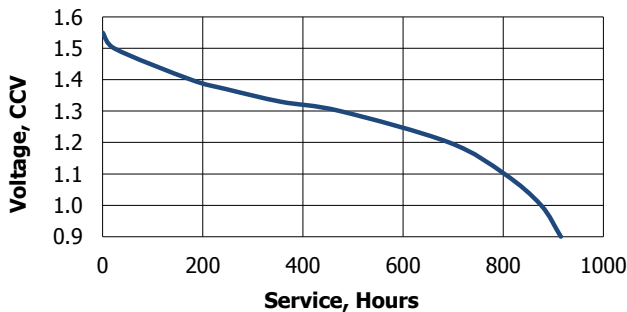
Cross Section



Typical Discharge Characteristics

Typical Performance at 21°C (70°F)

Load: 6.8K ohms - Continuous
Typical Drain @ 1.30V: 0.191 mA
Hours to 0.9V: 915



Depth of Discharge

Typical Performance at 21°C (70°F)

Load: 6.8K ohms - Continuous
Typical Drain @ 1.30V: 0.191 mA
Hours to 0.9V: 915

(as percent of capacity)

Temperature	0%	40%	80%
21°C (70°F)	1.55V	1.33V	1.20V

Important Notice

This data sheet contains typical information specific to products manufactured at the time of its publication.
Contents herein do not constitute a warranty and are for reference only.

X-ON Electronics

Largest Supplier of Electrical and Electronic Components

Click to view similar products for [energizer manufacturer](#):

Other Similar products are found below :

[A544](#) [1215F2X3](#) [AC312](#) [635706](#) [637871](#) [639830](#) [S8839](#) [S9025](#) [HARD CASE RECHARGEABLE](#) [HARD CASE PRO MULTI USE](#) [S9014](#)
[S9029](#) [639826](#) [HCHD311](#) [HARD CASE PROFF 4AA](#) [639618](#) [RCLINM2WR](#) [S8707](#) [S8100](#) [7638900424478](#) [7638900313130](#) [HCSP61E](#)
[626177](#) [E300116200](#) [639838](#) [603386](#) [S8841](#) [S8865](#) [HARDCASE PRO WORK LIGHT](#) [HARDCASE PRO HEADLIGHT](#) [603305](#)
[E300280600](#) [METAL LED 6AA](#) [S8864](#) [HDD32E](#) [MS2AALED](#) [ENERGIZER® 2-IN-1 LANTERN HANDHELD](#) [E300124200](#)
[E300171700](#) [ENFFL81E](#) [E300112600](#) [633474](#) [HDA32E](#) [7638900421422](#) [HARD CASE PRO PIVOT](#) [7638900424485](#) [AC675](#) [HDC32E](#)
[E300115800](#) [AZ10DP-8](#)