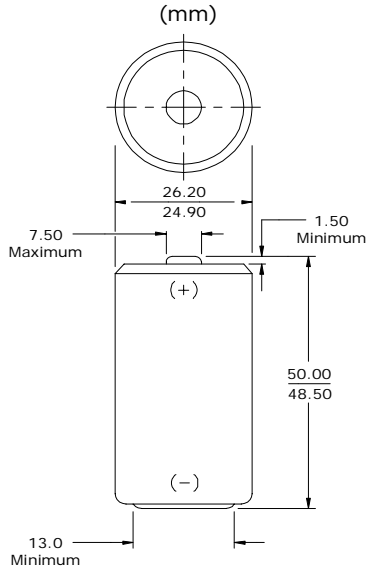




Energizer Rechargeable C-2500 (HR14)



Industry Standard Dimensions



Specifications

Classification:	ACCU Rechargeable
Chemical System:	Nickel-Metal Hydride (NiMH)
Designation:	IEC-HR14
Nominal Voltage:	1.2 Volts
Rated Capacity:	2500 mAh (to 1.0 volts) Based on 500 mA (0.2C) discharge rate
Typical Weight:	60.0 grams
Typical Volume:	26.9 cubic centimeters
Jacket:	Plastic Label

Internal Resistance:

The internal resistance of the cell varies with state of charge, as follows:

<u>Cell Charged</u>	<u>Cell 1/2 Discharged</u>
11 milliohms	21 milliohms
(tolerance of ±20% applies to above values)	

AC Impedance (No Load):

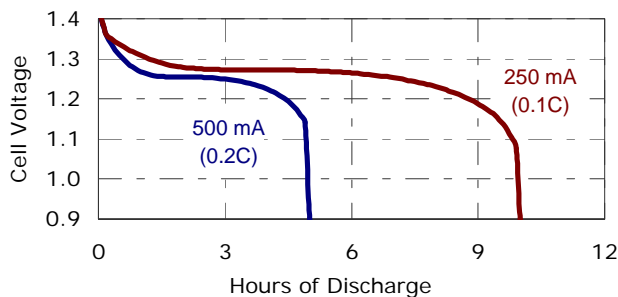
The impedance of the charged cell varies with frequency, as follows:

<u>Frequency (Hz)</u>	<u>Impedance (milliohms)</u> (Charged Cell)
1000	9

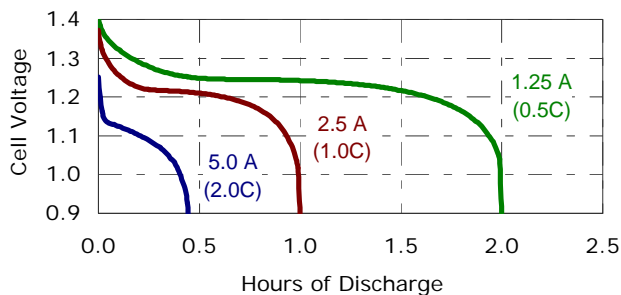
Above values based on AC current set at 1.0 ampere.
 Value tolerances are ±20%.

Typical Discharge Characteristics

Typical Performance at 21°C



Typical Performance at 21°C



Operating and Storage Temperatures:

To maintain maximum performance, observe the following general guidelines regarding environmental conditions.

Charge:	0°C to 40°C
Discharge:	0°C to 50°C
Storage:	-20°C to 30°C
Humidity:	65±20%

Operating at extreme temperatures, will significantly impact battery cycle life.

Important Notice

This datasheet contains information specific to batteries manufactured at the time of its publication.

Contents herein do not constitute a warranty.

©Energizer Holdings, Inc. - All Rights Reserved

X-ON Electronics

Largest Supplier of Electrical and Electronic Components

Click to view similar products for [Control Switches](#) category:

Click to view products by [Energizer](#) manufacturer:

Other Similar products are found below :

[80887-99](#) [80932-99](#) [86855-00](#) [88814-30](#) [1424293-1](#) [HW4S-2TC10](#) [89721-12](#) [89804-08](#) [SSN](#) [RL01801](#) [ASD2L20N-LVO](#) [50051857-17](#)
[50099156-001-05](#) [51.155R-15200](#) [50058920-26](#) [CP-FA51](#) [CP-FA49](#) [ACCU-SC/L-3000](#) [PP9M](#) [PP87G](#) [PP86GA](#) [PP71G](#) [PP70G](#) [PP6G](#)
[PP62G](#) [PP58BL](#) [PP56G](#) [PP86GB](#) [PP77GA](#) [PP76G](#) [PP4M](#) [PP47G](#) [PP46G](#) [PP41M](#) [PP40G](#) [PP32G](#) [RD-20](#) [PP23M](#) [PP12G](#) [PORTAPRO](#)
[POM-2708](#) [PNB-2005](#) [3057.0012](#) [CV-075](#) [CV-140SB](#) [CV-150](#) [CV-150S](#) [214X20XK](#) [CV-180](#) [CV-200MB](#)