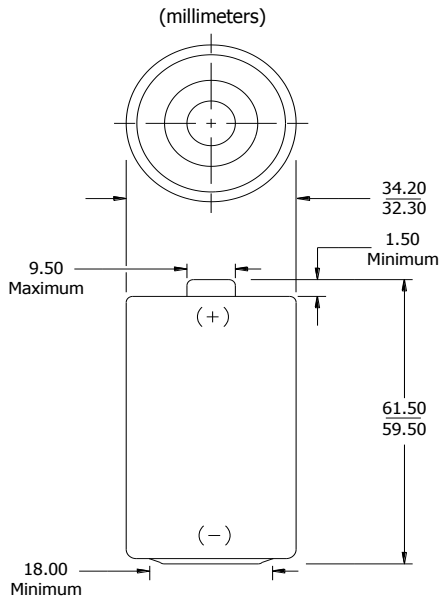


MAX PLUS EP95 (LR20)

D



Industry Standard Dimensions

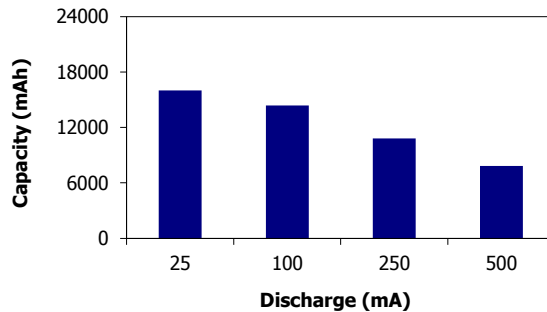


Specifications

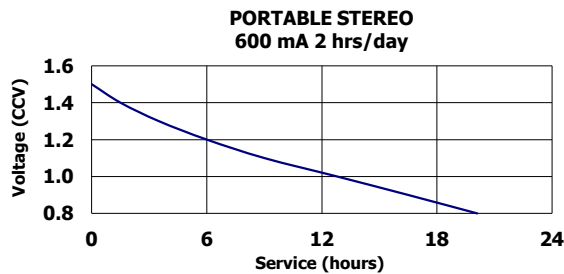
Classification:	Alkaline
Chemical System:	Zinc-Manganese Dioxide (Zn/MnO ₂) No added mercury or cadmium
Designation:	IEC-LR20
Nominal Voltage:	1.5 volts
Nominal IR:	150 to 300 milliohms (fresh)
Operating Temp:	-18°C to 55°C
Typical Weight:	144.0 grams
Typical Volume:	56.0 cubic centimeters
Jacket:	Plastic Label
Shelf Life:	10 years at 21°C
Terminal:	Flat Contact

Milliamp-Hours Capacity

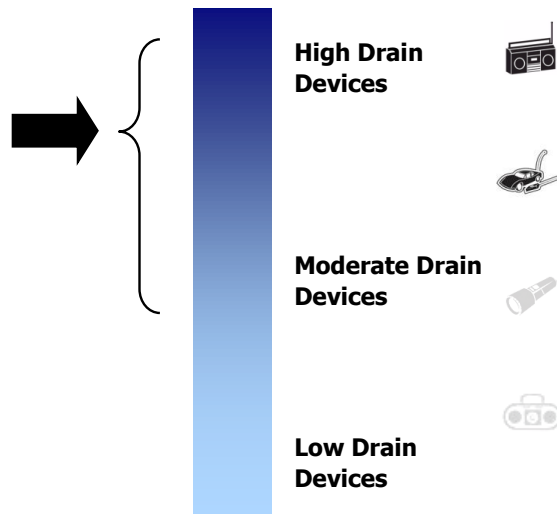
Continuous discharge to 0.8 volts at 21°C



Industry Standard Testing (21°C):



Battery Selection Indicator



Important Notice

This data sheet contains typical information specific to products manufactured at the time of its publication.
 ©Energizer Brands, LLC. - Contents herein do not constitute a warranty.

X-ON Electronics

Largest Supplier of Electrical and Electronic Components

Click to view similar products for [Control Switches](#) category:

Click to view products by [Energizer](#) manufacturer:

Other Similar products are found below :

[76156-00](#) [80932-99](#) [86855-00](#) [HW4S-2TC10](#) [89804-08](#) [RL01801](#) [ASD2L20N-LVO](#) [50051857-17](#) [50099156-001-05](#) [V16-21D-12R-S](#) [FF3-21-AC-03](#) [ELSEC5](#) [ELSEC20](#) [SPE-8](#) [AX-380](#) [ELSEC20/10](#) [BAT-SG4](#) [14.7456M-HC49-S](#) [D/R75](#) [74611-24](#) [TMT-HA600-2](#) [79981-99](#) [81866-26](#) [86303-26](#) [CP-37-2G](#) [JBC-T05D](#) [V19-11R-12Y-S](#) [V19B-11R-12G-S](#) [V22-21R-12B-S](#) [WEL.CT5A7](#) [PL303QMD-P](#) [BCP2L](#) [81908-00](#) [87770-00](#) [601.8119.045](#) [ASD322NU](#) [ASD340NU](#) [AS6Q-2Y2P](#) [KEM425UL Y/R](#) [LB6MS-33T2V](#) [LS/VS N160](#) [LS/VS 160 3P](#) [XB4FVB3](#) [XB4FVB5](#) [XB5FVB3](#) [XB4FA61](#) [XB5FW31B5](#) [XB5FW36B5](#) [XB4FG21](#) [XB4FG41](#)