

SPECIFICATION

CUSTOMER: _____

PRODUCT: _____ Band5/Unbalanced, Rx SAW Filter _____

MODEL NO: _____ RHFR11C0881UB001 _____

MARKING: _____

PREPARED: _____ CHECKED: _____

APPROVED: _____ DATE: _____

Tiantong Ruihong Technology Co., Ltd.



RHFR11C0881UB001 (Band5 / Unbalanced / 5pin / 1109)

1. Modify History of Specification	2
2. Definition	2
3. Package Dimensions	3
4. Testing Environment.....	3
5. Max Rating	4
6. Electric Characteristics.....	5
7. Marking Code.....	7
8. Reel & Tape Dimensions	7

Tiantong Ruihong Technology Co., Ltd.

Tel:

Fax:

E-mail:

Page 1 of 9

1. Modify History of Specification

NO.	DATE	CONTENT	APPROVED
1.0	2018.1.1	New Released	
1.1	2018.9.1	Add Reel and Tape dimension	
1.2	2018.11.16	Revise Marking Code	
1.3	2019.03.01	Update Reel Package	

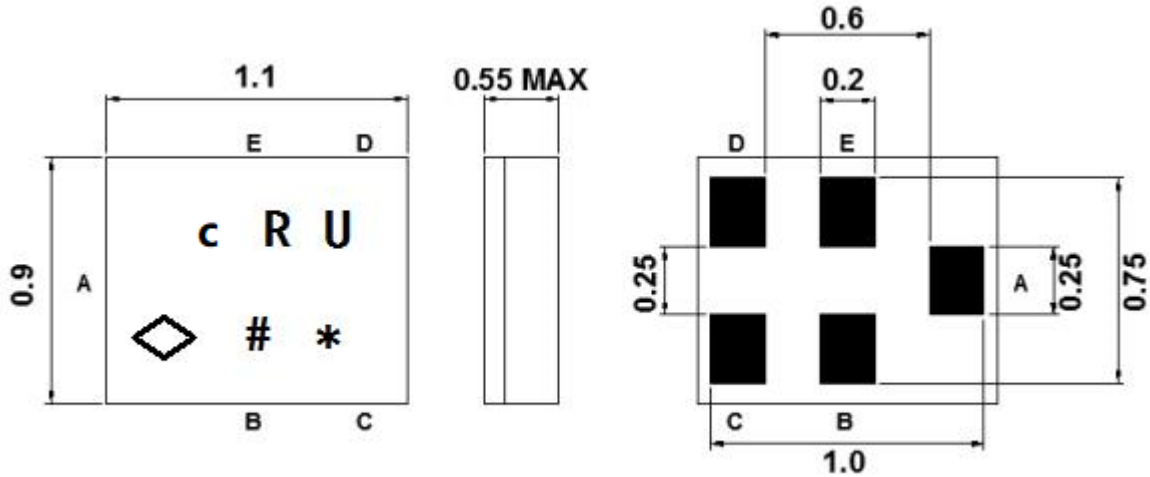
2. Definition

<u>RH</u>	<u>XX</u>	<u>XX</u>	<u>X</u>	<u>XX XX</u>	<u>BA/UB</u>	<u>00</u>	<u>1</u>
①	②	③	④	⑤	⑥	⑦	⑧

No.	EXPLANATION
①	Ruihong
②	FT: Filter Transmit FR: Filter Receive DX: Duplexer DS: Double SAW
③	11: 1109 14: 1411 18: 1814
④	C: CSP S: SMD W: WLP
⑤	Center Frequency
⑥	BA: Balanced UB: Unbalanced
⑦	Design version
⑧	Reel & Tape Dimension 1:Pitch = 2 Reel = 178mm 2:Pitch = 4 Reel = 178mm 3:Pitch = 2 Reel = 330mm 4:Pitch = 4 Reel = 330mm

Tiantong Ruihong Technology Co., Ltd.

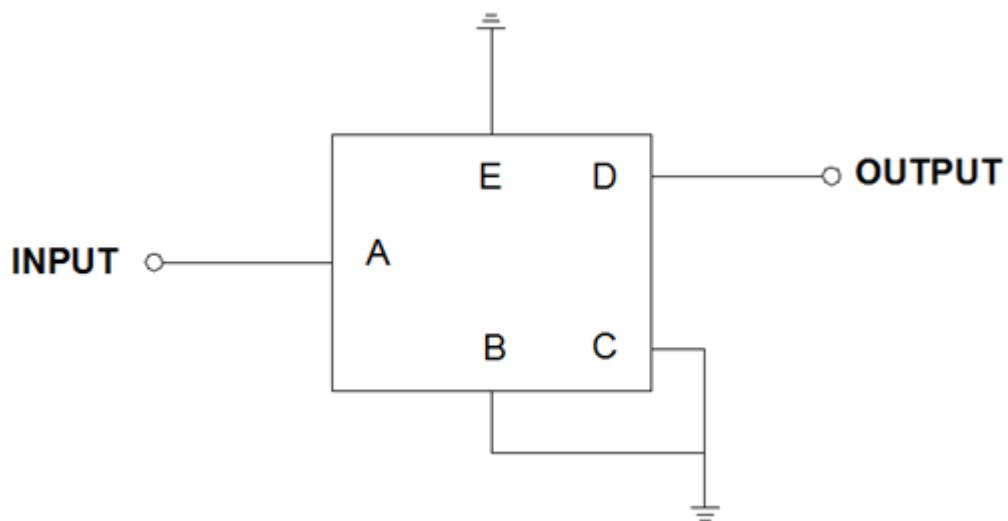
3. Package Dimensions



Marking Descriptions	
C R U	Model Number
#	Date Code
*	Code for Month and year

Pin Description	
B,C,E	Ground
A	Input
D	Output

4. Testing Environment



Source & Load Impedance: 50 Ω

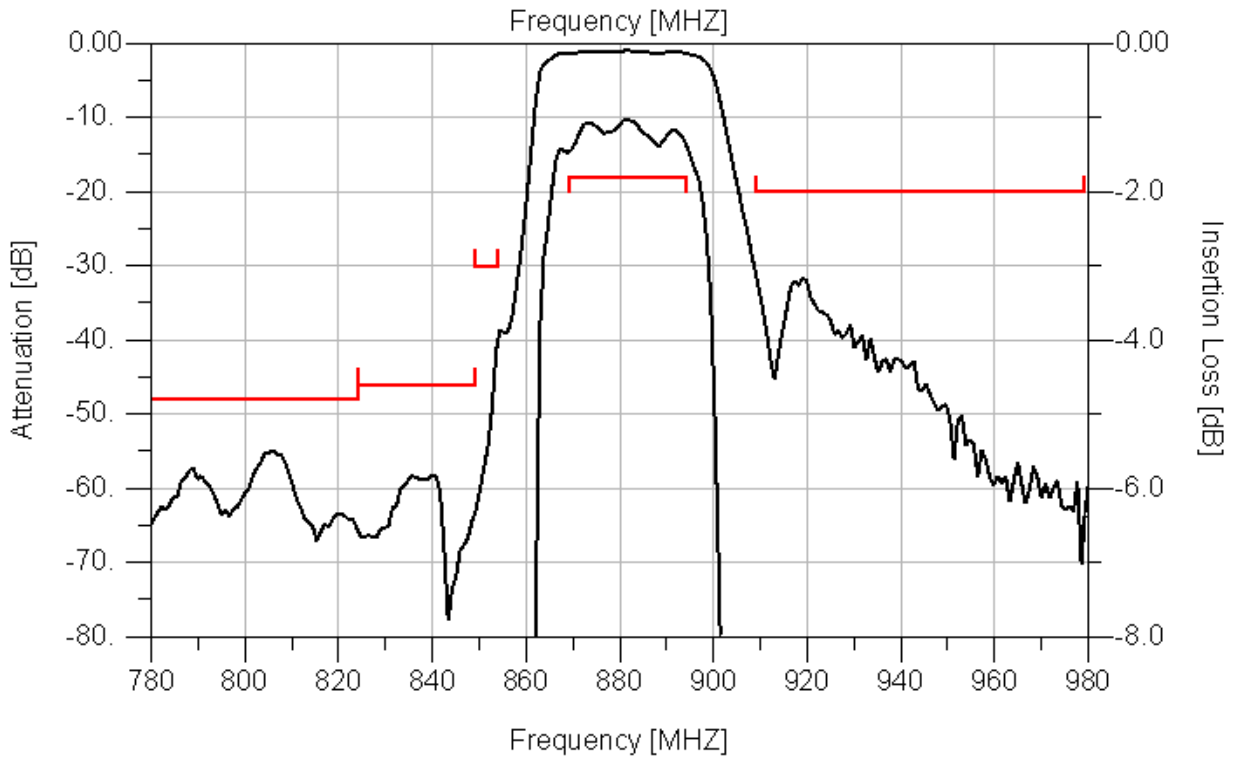
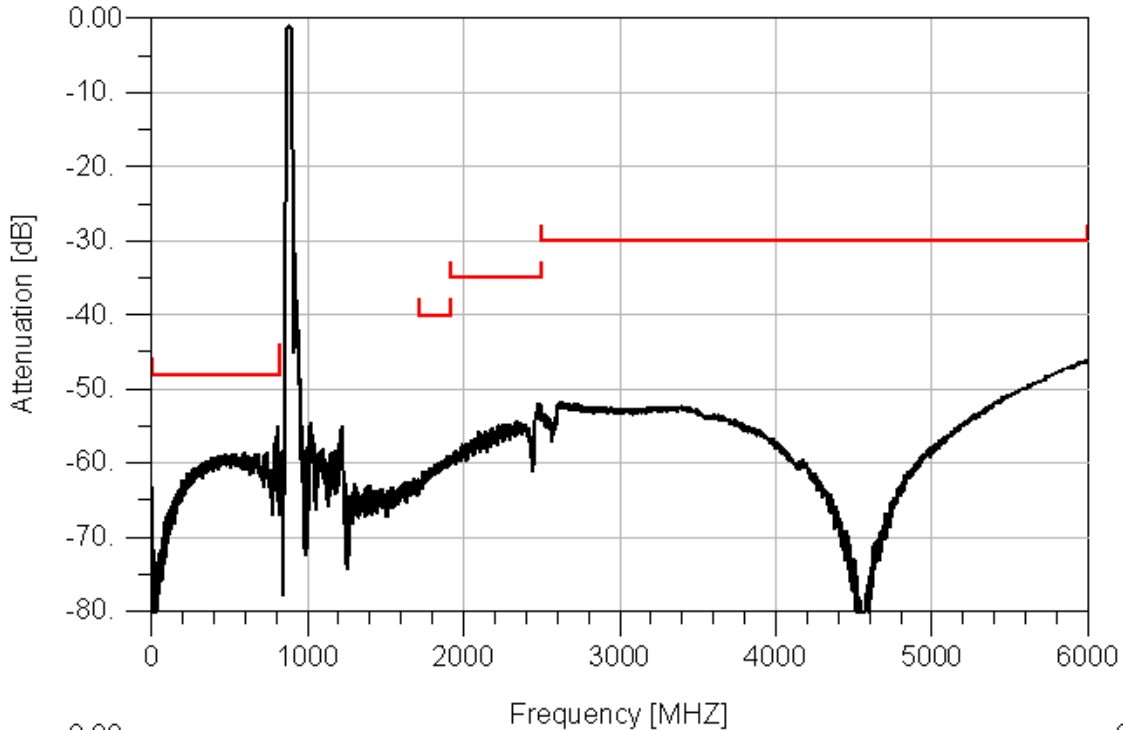
5. Max Rating

Parameters Description	Unit	Minimum	Typical	Maximum
Operating Temperature Range	°C	-40	-	+85
Storage Temperature Range	°C	-40	-	+85
Maximum DC Voltage	V	-	-	3
Maximum Input Power	dBm	-	-	15
Source Impedance (single ended)	Ω	-	50	-
Load Impedance (Single ended)	Ω	-	50	-
Length x Width	mm ²	-	1.1 x 0.9	-
Height	mm	-	-	0.55

6. Electric Characteristics

Parameters Description		Unit	Characteristics			Note
			(-40 to +85 deg.C)			
			Min	Typ	Max	
Center Frequency (F ₀)		MHz	-	881.5	-	
Insertion Loss	869.0 ~ 894.0 MHz	dB	-	1.3	1.8	
Amplitude Ripple	869.0 ~ 894.0 MHz	dB _{p-p}	-	0.3	1.1	
VSWR	869.0 ~ 894.0 MHz	-	-	1.6	2.0	
Attenuation	1.0 ~ 824.0 MHz	dB	48	54		
	824.0 ~ 849.0 MHz	dB	46	51		
	849.0 ~ 854.0 MHz	dB	30	41		
	909.0 ~ 979.0 MHz	dB	20	27		
	1710.0 ~ 1910.0 MHz	dB	40	45		
	1920.0 ~ 2500.0 MHz	dB	35	41		
	2500.0 ~ 6000.0 MHz	dB	30	36		

RHFR11C0881UB001 (Band5 / Unbalanced / 5pin / 1109)

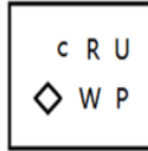


Tiantong Ruihong Technology Co., Ltd.

RHFR11C0881UB001 (Band5 / Unbalanced / 5pin / 1109)

7. Marking Code

2018	Jan	Feb	Mar	Apr	May	Jun	Jul	Aug	Sep	Oct	Nov	Dec
2022												
2026	A	B	C	D	E	F	G	H	J	K	L	M
2030												
2019	Jan	Feb	Mar	Apr	May	Jun	Jul	Aug	Sep	Oct	Nov	Dec
2023												
2027	N	P	Q	R	S	T	U	V	W	X	Y	Z
2031												
2020	Jan	Feb	Mar	Apr	May	Jun	Jul	Aug	Sep	Oct	Nov	Dec
2024												
2028	a	b	c	d	e	f	g	h	j	k	l	m
2032												
2021	Jan	Feb	Mar	Apr	May	Jun	Jul	Aug	Sep	Oct	Nov	Dec
2025												
2029	n	p	q	r	s	t	u	v	w	x	y	z
2033												

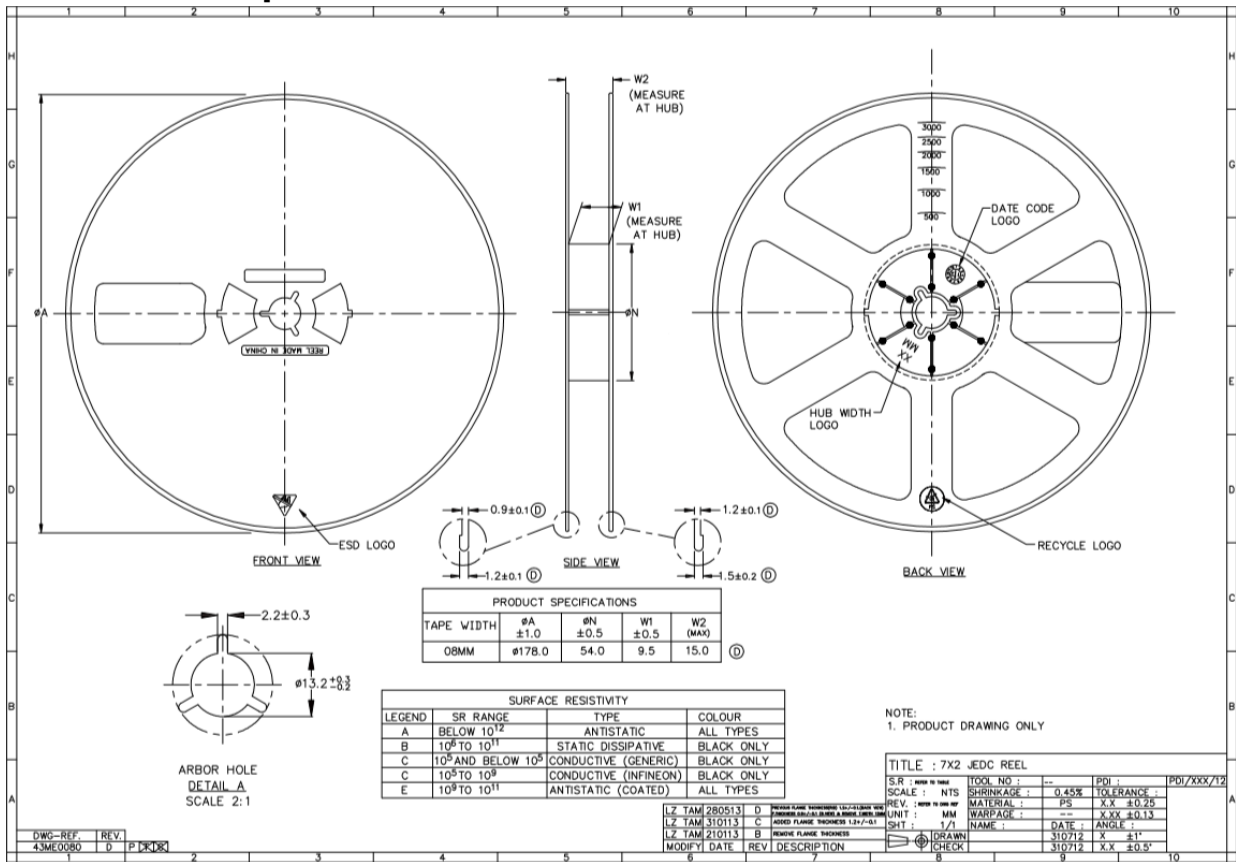


备注：
 c 对应 B5
 R 对应 接收
 U 对应 单端
 W 对应 生产日
 P 对应 生产年-月

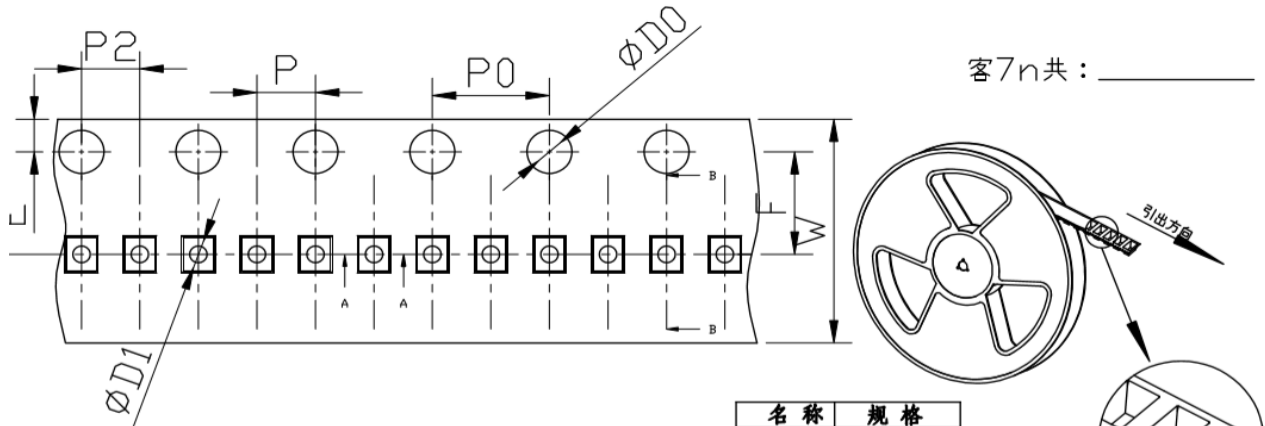
Band 5

date	1st	2nd	3rd	4th	5th	6th	7th	8th	9th	10th	
code	A	B	C	D	E	F	G	H	J	K	
date	11th	12th	13th	14th	15th	16th	17th	18th	19th	20th	
code	L	M	N	P	Q	R	S	T	U	V	
date	21th	22th	23th	24th	25th	26th	27th	28th	29th	30th	31th
code	W	X	Y	Z	a	b	c	d	e	f	g

8. Reel & Tape Dimensions



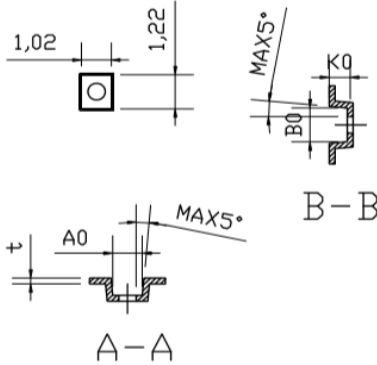
RHFR11C0881UB001 (Band5 / Unbalanced / 5pin / 1109)



客7n共: _____

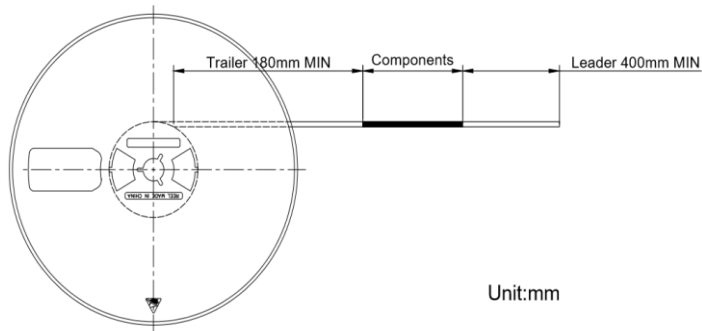
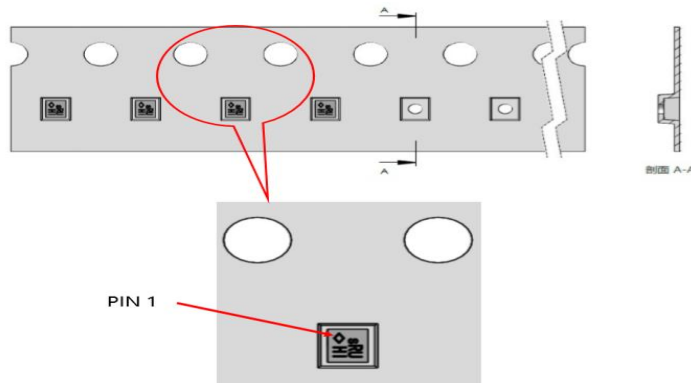
外可	尺寸 mm
E	1.75±0.10
F	3.50±0.05
P2	2.00±0.05
ØD1	0.60±0.05
ØD0	1.55±0.05
P0	4.00±0.05
10P0	40.00±0.20
W	8.0±0.10
P	2.00±0.05
A0	1.02±0.05
B0	1.22±0.05
K0	0.62±0.05
t	0.20±0.05

名称	规格
纸盘	15"
长度	1010m/r
元件数	505000pcs/r
轴心	110mm
载带材料	PS



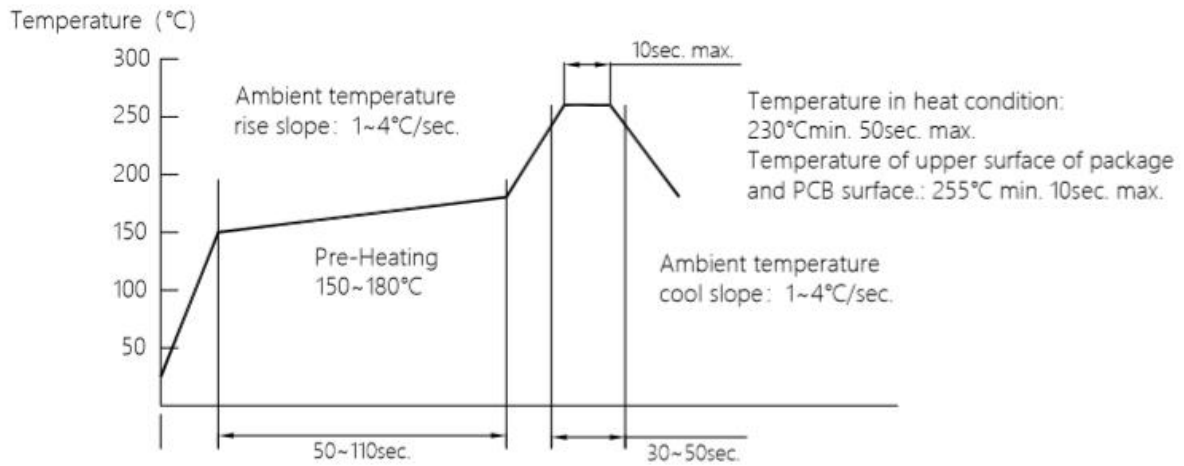
- Note: 1. 10 sprocket hole pitch cumulative tolerance ±0.2mm.
 2. Carrier camber is 1mm in 250mm.
 3. K0 measured from a plane on the inside bottom of the pocket to the top surface of the carrier.
 4. All dimensions meet EIA-481-D requirements.

品?号:	AND ?号: KC-1109B-8(4#)		
鏡備	日期	比例	1:1
制	日期	共1	版本
校	日期	第1	A
核	日期		



Tiantong Ruihong Technology Co., Ltd.

9 Reflow Condition



X-ON Electronics

Largest Supplier of Electrical and Electronic Components

Click to view similar products for [Signal Conditioning](#) category:

Click to view products by [Enicom](#) manufacturer:

Other Similar products are found below :

[MAPDCC0004](#) [PD0409J5050S2HF](#) [880157](#) [HHS-109-PIN](#) [DC1417J5005AHF](#) [DC4859J5005AHF](#) [AFS14A30-2185.00-T3](#) [AFS14A35-1591.50-T3](#) [DS-323-PIN](#) [DSS-313-PIN](#) [B39321R801H210](#) [B39321R821H210](#) [B39921B4317P810](#) [1A0220-3](#) [2089-6207-00](#) [JP510S](#) [LFB212G45SG8C341](#) [LFB322G45SN1A504](#) [LFL182G45TC3B746](#) [SF2159E](#) [30057](#) [1P510S](#) [CER0813B](#) [3A325](#) [40287](#) [41180](#) [ATB3225-75032NCT](#) [B69842N5807A150](#) [BD0810N50100AHF](#) [BD2326L50200AHF](#) [BD2425J50200AHF](#) [HMC189AMS8TR](#) [C5060J5003AHF](#) [JHS-114-PIN](#) [JP503AS](#) [DC0710J5005AHF](#) [DC2327J5005AHF](#) [DC3338J5005AHF](#) [43020](#) [LFB2H2G60BB1C106](#) [LFL15869MTC1B787](#) [X3C19F1-20S](#) [XC3500P-20S](#) [10013-20](#) [SF2081E](#) [SF2194E](#) [SF2238E](#) [CDBLB455KCAX39-B0](#) [RF1353C](#) [PD0922J5050D2HF](#)