

SPECIFICATION

CUSTOMER: _____

PRODUCT: _____ Band1/Unbalanced, Rx SAW Filter _____

MODEL NO: _____ RHFR11C2140UB001 _____

MARKING: _____

PREPARED: _____ CHECKED: _____

APPROVED: _____ DATE: _____

Tiantong Ruihong Technology Co., Ltd

| | |
|--|---|
| 1. Modify History of Specification | 2 |
| 2. Definition..... | 2 |
| 3. Package Dimensions | 3 |
| 4. Testing Environment | 3 |
| 5. Max Rating..... | 4 |
| 6. Electric Characteristics | 5 |
| 7. Marking Code..... | 7 |
| 8. Reel & Tape Dimensions..... | 7 |

1. Modify History of Specification

| NO. | DATE | CONTENT | APPROVED |
|-----|------------|-----------------------------|----------|
| 1.0 | 2018.1.1 | New Released | |
| 1.1 | 2018.9.1 | Add Reel and Tape Dimension | |
| 1.2 | 2018.11.16 | Revise Marking Code | |
| 1.3 | 2019.03.01 | Update Reel Package | |

2. Definition

| | | | | | | | |
|------------------|------------------|------------------|-----------------|---------------------|---------------------|------------------|-----------------|
| <u>RH</u> | <u>XX</u> | <u>XX</u> | <u>X</u> | <u>XX XX</u> | <u>BA/UB</u> | <u>00</u> | <u>1</u> |
| ① | ② | ③ | ④ | ⑤ | ⑥ | ⑦ | ⑧ |

| No. | EXPLANATION |
|-----|---|
| ① | Ruihong |
| ② | FT: Filter Transmit FR: Filter Receive DX: Duplexer DS: Double SAW |
| ③ | 11: 1109 14: 1411 18: 1814 |
| ④ | C: CSP S: SMD W: WLP |
| ⑤ | Center Frequency |
| ⑥ | BA: Balanced UB: Unbalanced |
| ⑦ | Design version |
| ⑧ | Reel & Tape Dimension 1:Pitch = 2 Reel = 178mm 2:Pitch = 4 Reel = 178mm 3:Pitch = 2 Reel = 330mm 4:Pitch = 4 Reel = 330mm |

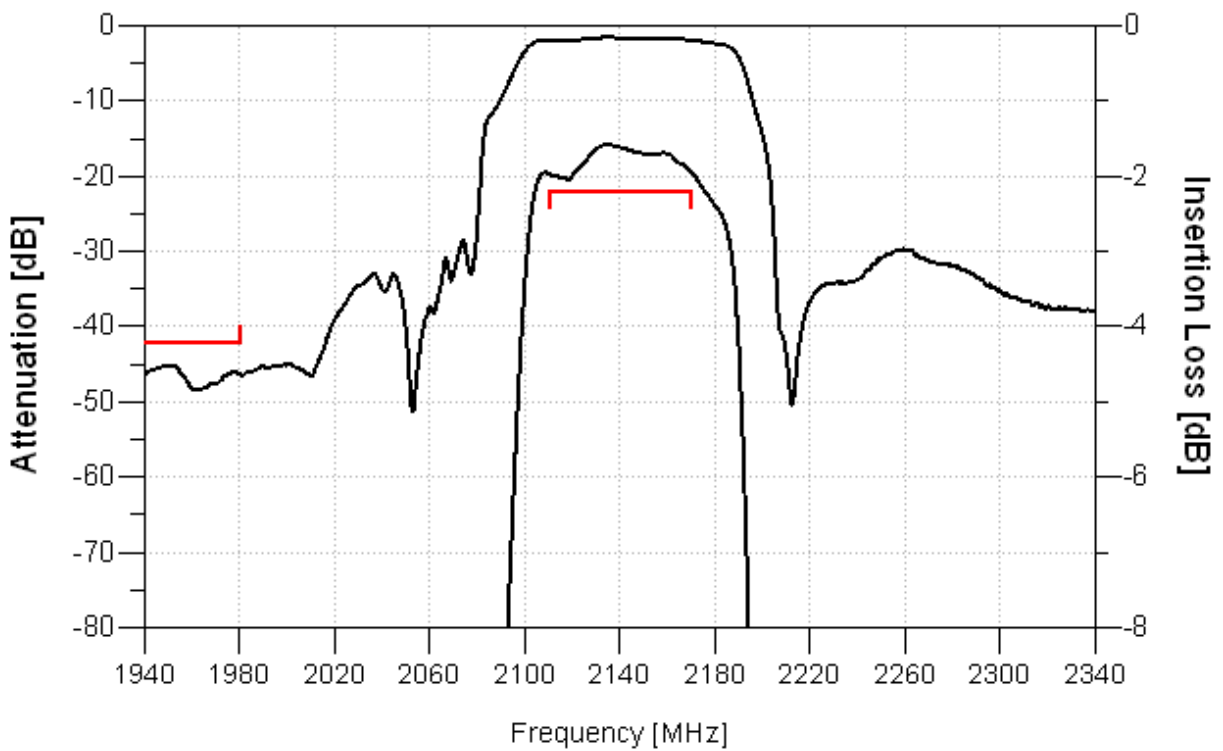
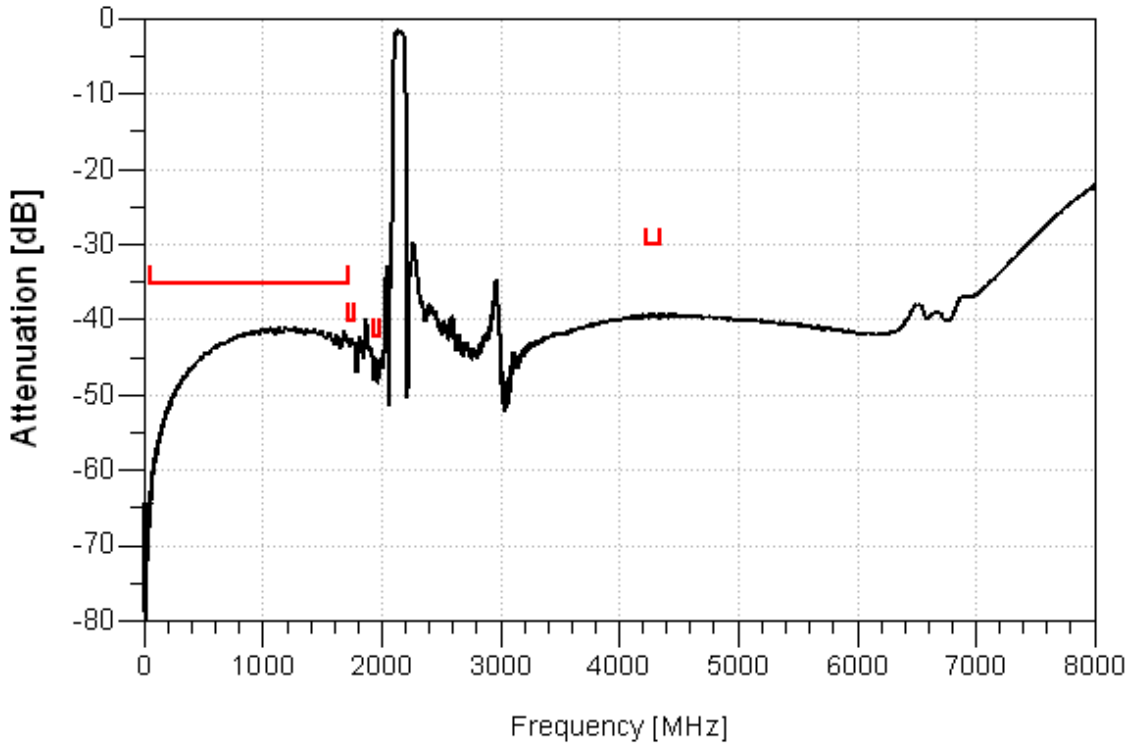
5. Max Rating

| Parameters Description | Unit | Minimum | Typical | Maximum |
|---------------------------------|-----------------|---------|-----------|---------|
| Operating Temperature Range | °C | -40 | - | +85 |
| Storage Temperature Range | °C | -40 | - | +85 |
| Maximum DC Voltage | V | - | - | 3 |
| Maximum Input Power | dBm | - | - | 15 |
| Source Impedance (single ended) | Ω | - | 50 | - |
| Load Impedance (Single ended) | Ω | - | 50 | - |
| Length x Width | mm ² | - | 1.1 x 0.9 | - |
| Height | mm | - | - | 0.55 |

6. Electric Characteristics

| Parameters Description | | Unit | Characteristics | | | Note |
|------------------------------------|---------------------|-------------------|---------------------|------|-----|------|
| | | | (-40 to +85 deg.C) | | | |
| | | | Min | Typ | Max | |
| Center Frequency (F ₀) | | MHz | - | 2140 | - | |
| Insertion Loss | 2110.0 ~ 2170.0 MHz | dB | - | 1.4 | 2.2 | |
| | 2110.0 ~ 2155.0 MHz | dB | - | 1.4 | 2.2 | |
| Amplitude Ripple | 2110.0 ~ 2170.0 MHz | dB _{p-p} | - | 0.6 | 1.5 | |
| | 2110.0 ~ 2155.0 MHz | dB _{p-p} | - | 0.6 | 1.5 | |
| VSWR | 2110.0 ~ 2170.0 MHz | - | - | 1.8 | 2.3 | |
| | 2110.0 ~ 2155.0 MHz | - | - | 1.8 | 2.3 | |
| Attenuation | 50.0 ~ 1710.0 MHz | dB | 35 | 40 | - | |
| | 1710.0 ~ 1755.0 MHz | dB | 40 | 42 | - | |
| | 1920.0 ~ 1980.0 MHz | dB | 42 | 45 | - | |
| | 4220.0 ~ 4340.0 MHz | dB | 30 | 42 | - | |
| | | | | | | |
| | | | | | | |
| | | | | | | |
| | | | | | | |
| | | | | | | |
| | | | | | | |
| | | | | | | |
| | | | | | | |

RHFR11C2140UB001 (Band1 / Unbalanced / 5pin / 1109)



Tiantong Ruihong Technology Co., Ltd.

RHFR11C2140UB001 (Band1 / Unbalanced / 5pin / 1109)

7. Marking Code

| | | | | | | | | | | | | |
|------|-----|-----|-----|-----|-----|-----|-----|-----|-----|-----|-----|-----|
| 2018 | Jan | Feb | Mar | Apr | May | Jun | Jul | Aug | Sep | Oct | Nov | Dec |
| 2022 | | | | | | | | | | | | |
| 2026 | A | B | C | D | E | F | G | H | J | K | L | M |
| 2030 | | | | | | | | | | | | |
| 2019 | Jan | Feb | Mar | Apr | May | Jun | Jul | Aug | Sep | Oct | Nov | Dec |
| 2023 | | | | | | | | | | | | |
| 2027 | N | P | Q | R | S | T | U | V | W | X | Y | Z |
| 2031 | | | | | | | | | | | | |
| 2020 | Jan | Feb | Mar | Apr | May | Jun | Jul | Aug | Sep | Oct | Nov | Dec |
| 2024 | | | | | | | | | | | | |
| 2028 | a | b | c | d | e | f | g | h | j | k | l | m |
| 2032 | | | | | | | | | | | | |
| 2021 | Jan | Feb | Mar | Apr | May | Jun | Jul | Aug | Sep | Oct | Nov | Dec |
| 2025 | | | | | | | | | | | | |
| 2029 | n | p | q | r | s | t | u | v | w | x | y | z |
| 2033 | | | | | | | | | | | | |



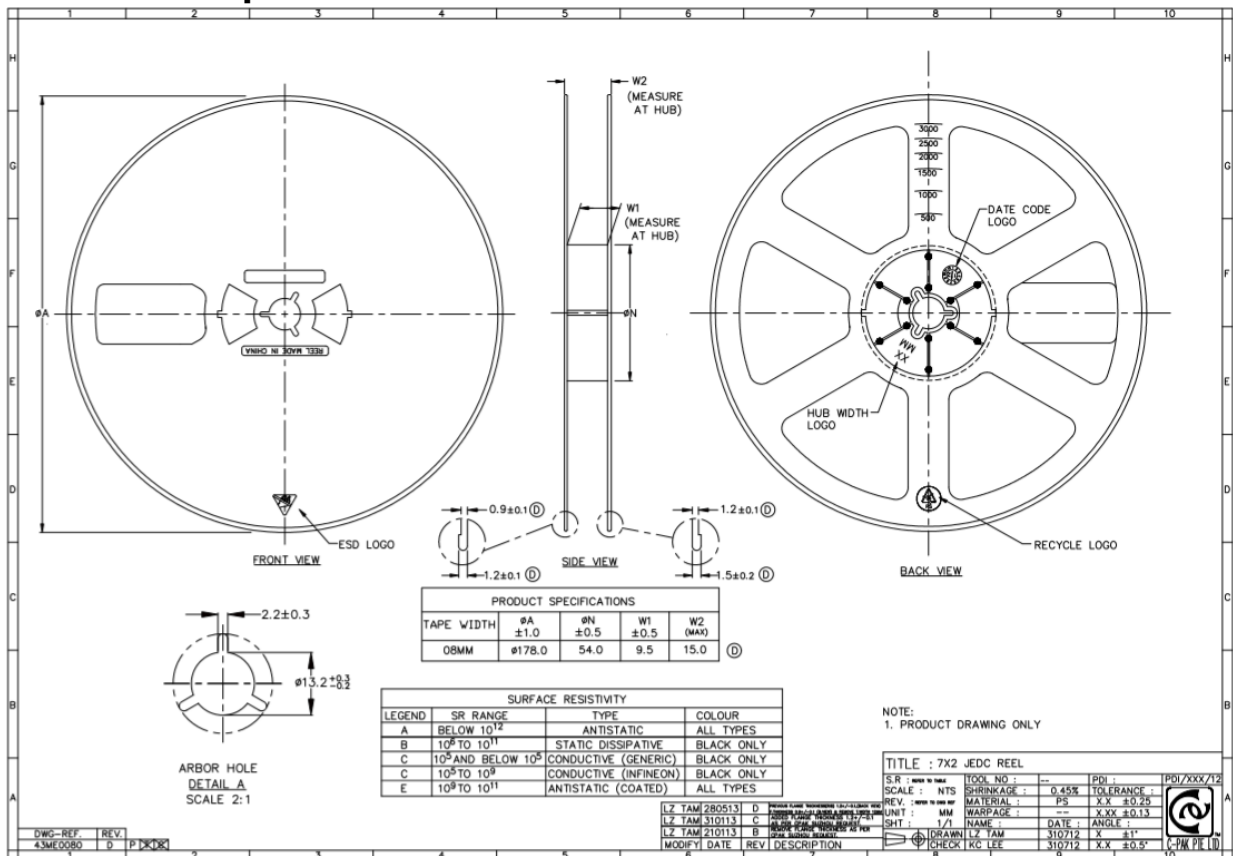
Band 1

备注：

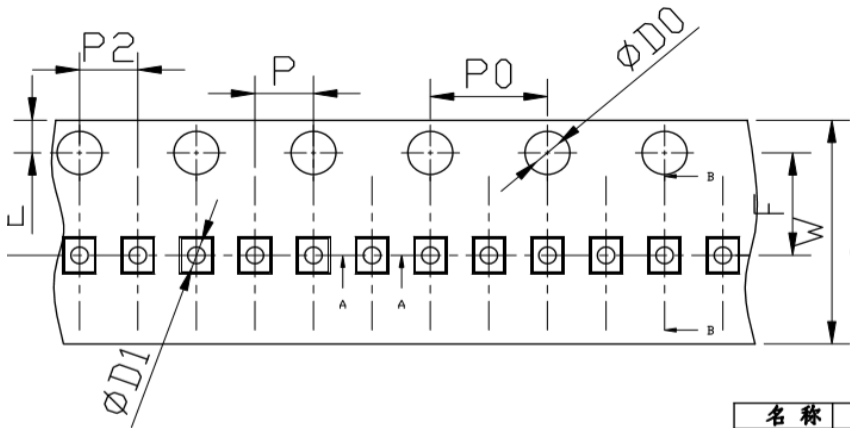
- a 对应 B1
- R 对应 接收
- U 对应 单端
- W 对应 生产日
- P 对应 生产年-月

| | | | | | | | | | | | |
|------|------|------|------|------|------|------|------|------|------|------|------|
| date | 1st | 2nd | 3rd | 4th | 5th | 6th | 7th | 8th | 9th | 10th | |
| code | A | B | C | D | E | F | G | H | J | K | |
| date | 11th | 12th | 13th | 14th | 15th | 16th | 17th | 18th | 19th | 20th | |
| code | L | M | N | P | Q | R | S | T | U | V | |
| date | 21th | 22th | 23th | 24th | 25th | 26th | 27th | 28th | 29th | 30th | 31th |
| code | W | X | Y | Z | a | b | c | d | e | f | g |

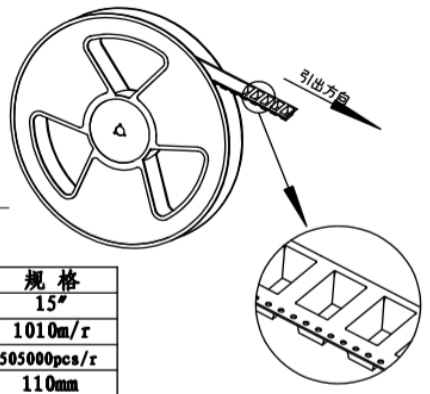
8. Reel & Tape Dimensions



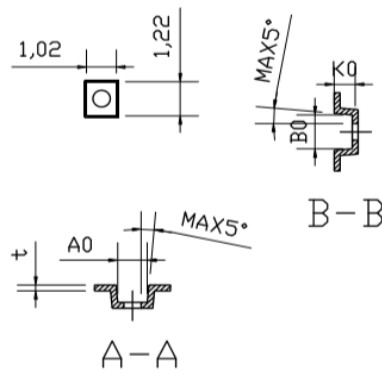
RHFR11C2140UB001 (Band1 / Unbalanced / 5pin / 1109)



客7n共: _____



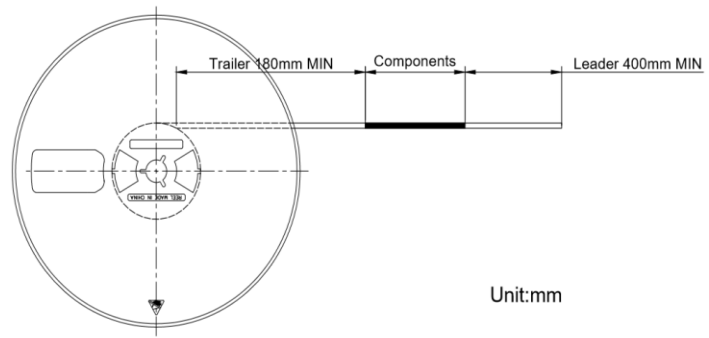
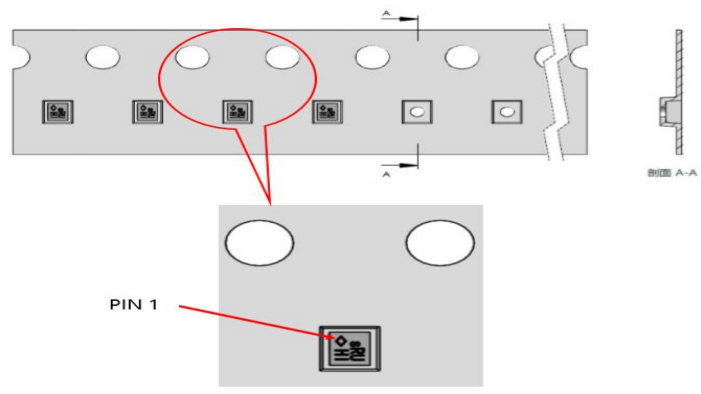
| 外可 | 尺寸 mm |
|------|------------|
| E | 1.75±0.10 |
| F | 3.50±0.05 |
| P2 | 2.00±0.05 |
| ØD1 | 0.60±0.05 |
| ØD0 | 1.55±0.05 |
| P0 | 4.00±0.05 |
| 10Pd | 40.00±0.20 |
| W | 8.0±0.10 |
| P | 2.00±0.05 |
| A0 | 1.02±0.05 |
| B0 | 1.22±0.05 |
| K0 | 0.62±0.05 |
| t | 0.20±0.05 |



| 名称 | 规格 |
|------|-------------|
| 纸盘 | 15" |
| 长度 | 1010m/r |
| 元件数 | 505000pcs/r |
| 轴心 | 110mm |
| 载带材料 | PS |

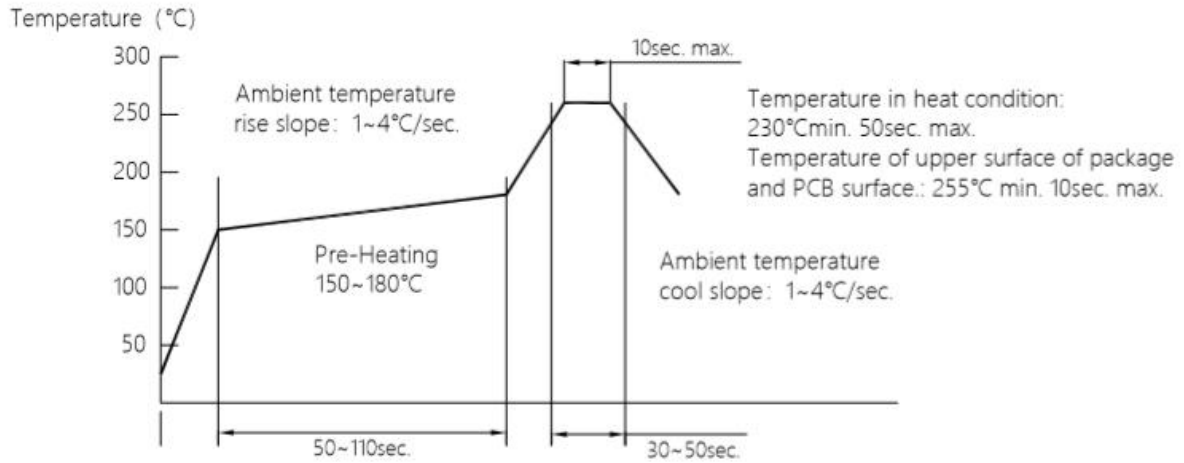
- Note: 1. 10 sprocket hole pitch cumulative tolerance ±0.2mm.
 2. Carrier camber is 1mm in 250mm.
 3. K0 measured from a plane on the inside bottom of the pocket to the top surface of the carrier.
 4. All dimensions meet EIA-481-D requirements.

| | | | |
|------|------------------------|----|-----|
| 品?号: | AND ?号: KC-1109B-8(4#) | 比例 | 1:1 |
| 鏡備 | 日期 | 共1 | 版本 |
| 制 | 日期 | 第1 | A |
| 校 | 日期 | | |
| 核 | 日期 | | |



Tiantong Ruihong Technology Co., Ltd.

9. Reflow Condition



X-ON Electronics

Largest Supplier of Electrical and Electronic Components

Click to view similar products for [Signal Conditioning](#) category:

Click to view products by [Enicom](#) manufacturer:

Other Similar products are found below :

[MAPDCC0004](#) [PD0409J5050S2HF](#) [880157](#) [HHS-109-PIN](#) [DC1417J5005AHF](#) [DC4859J5005AHF](#) [AFS14A30-2185.00-T3](#) [AFS14A35-1591.50-T3](#) [DS-323-PIN](#) [DSS-313-PIN](#) [B39321R801H210](#) [B39321R821H210](#) [B39921B4317P810](#) [1A0220-3](#) [2089-6207-00](#) [JP510S](#) [LFB212G45SG8C341](#) [LFB322G45SN1A504](#) [LFL182G45TC3B746](#) [SF2159E](#) [30057](#) [1P510S](#) [CER0813B](#) [3A325](#) [40287](#) [41180](#) [ATB3225-75032NCT](#) [B69842N5807A150](#) [BD0810N50100AHF](#) [BD2326L50200AHF](#) [BD2425J50200AHF](#) [HMC189AMS8TR](#) [C5060J5003AHF](#) [JHS-114-PIN](#) [JP503AS](#) [DC0710J5005AHF](#) [DC2327J5005AHF](#) [DC3338J5005AHF](#) [43020](#) [LFB2H2G60BB1C106](#) [LFL15869MTC1B787](#) [X3C19F1-20S](#) [XC3500P-20S](#) [10013-20](#) [SF2081E](#) [SF2194E](#) [SF2238E](#) [CDBLB455KCAX39-B0](#) [RF1353C](#) [PD0922J5050D2HF](#)