



## Surge arrester

2-electrode arrester

**Series/Type:** M51-A800XP  
**Ordering code:** B88069X4781xxxx <sup>a)</sup>  
**Version/Date:** Issue 04 / 2008-01-17

© EPCOS AG 2015. Reproduction, publication and dissemination of this publication, enclosures hereto and the information contained therein without EPCOS' prior express consent is prohibited.

EPCOS AG is a TDK Group Company.

Features	Applications
<ul style="list-style-type: none"> <li>▪ Small size</li> <li>▪ Very fast response time</li> <li>▪ Stable performance over life</li> <li>▪ High insulation resistance</li> <li>▪ RoHS-compatible</li> </ul>	<ul style="list-style-type: none"> <li>▪ AC power lines</li> <li>▪ Class II (class C) - requirements</li> </ul>

**Electrical specifications**

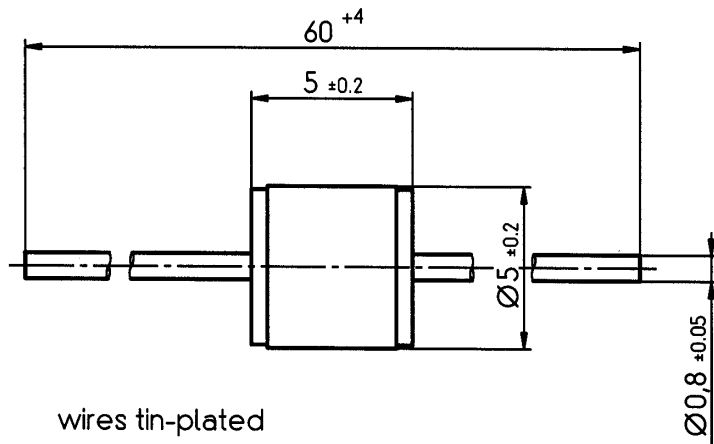
DC spark-over voltage <sup>1) 2)</sup>	> 600	V
Impulse spark-over voltage		
- at 1 kV/μs - for 99 % of measured values	< 1200	V
- typical values of distribution	< 1100	V
- at 5 kV/μs - for 99 % of measured values	< 1500	V
- typical values of distribution	< 1200	V
- at 1.2/50 μs, 6 kV, for 99 % of measured values <sup>3)</sup>	< 1500	V
Response time	< 100	ns
- typical values	< 20	ns
Insulation resistance at 100 V <sub>dc</sub>	> 1	GΩ
Class II according to EN 61643-11		
Max. continuous operating voltage at 50/60 Hz	U <sub>c</sub>	255 V <sub>rms</sub>
Nominal discharge current 8/20 μs	I <sub>n</sub>	3 kA
Maximum discharge current 8/20 μs	I <sub>max</sub>	3 kA
Follow current at 50/60 Hz	I <sub>f</sub>	5 A <sub>rms</sub>
Weight	~ 3	g
Operation and storage temperature	-40 ... +90	°C
Climatic category (IEC 60068-1)	40/ 90/ 21	
Marking, blue positive	<b>EPCOS 800 YY O</b> 800 - Nominal voltage YY - Year of production O - Non radioactive	

<sup>a)</sup> xxxx = S102 (100 pcs on 5 taped stripes)  
 = T502 (500 pcs on tape and reel)

<sup>1)</sup> At delivery AQL 0.65 level II, DIN ISO 2859

<sup>2)</sup> In ionized mode

<sup>3)</sup> Test in accordance with EN 61 643-11

**Dimensional drawing**


*Not to scale*

*Dimensions in mm*

*Non controlled document*

**Cautions and warnings**

- Surge arresters must not be operated directly in power supply networks.
- Surge arresters may become hot in case of longer periods of current stress (danger of burning).
- Surge arresters may be used only within their specified values. In case of overload, the head contacts may fail or the component may be destroyed.
- Damaged surge arresters must not be re-used.

## X-ON Electronics

Largest Supplier of Electrical and Electronic Components

*Click to view similar products for [Gas Discharge Tubes - GDTs / Gas Plasma Arrestors](#) category:*

*Click to view products by [EPCOS](#) manufacturer:*

Other Similar products are found below :

[M51-A90X](#) [PMT1023004](#) [PMT1040004](#) [CG2800](#) [GTCR37-231M-R10](#) [WPGT-2N145B6L](#) [WPGT-2N230B6L](#) [WPGT-2N470B6L](#) [WPGT-2RM230A6L](#) [WPGT-2RM350A6L](#) [WPGT-2RM70A6L](#) [WPGT-2RM90A6L](#) [WPGT-2S145](#) [WPGT-2S350](#) [WPGT-2S470](#) [WPGT-3R350CF](#) [WPGT-3R350G1](#) [WPGT-3R90G1](#) [WPGT-3R75G1](#) [WPGT-3R470G1](#) [WPGT-3R250C](#) [WPGT-3R230G1](#) [WPGT-2S230](#) [WPGT-2RM145A6L](#) [WPGT-2R1000B8L](#) [WPGT-2N70B6L](#) [WPGT-2N350B6L](#) [WPGT-2N230B6L1](#) [CG2145](#) [T61-C350X](#) [9071.99.0547 \(73\\_Z-0-0-547\)](#) [B88069X6940B152](#) [RF1219-000](#) [A9L16618](#) [RF2339-000](#) [9071.99.0052\(73\\_Z-0-0-52\)](#) [9071.99.0054](#) [CG32.7L](#) [CG6400SM](#) [CG6470SM](#) [CG7250MS](#) [CG7400MS](#) [SPBT12-280/1](#) [SPCT2-280/3](#) [SPCT2-280/4](#) [T2 20KA 4P](#) [2003-09-SM-RPLF](#) [2026-07-A1](#) [2026-25-C3](#) [2039-80-BLF](#)