

Demonstration System EPC9509 Quick Start Guide

EPC2108 and EPC2036

6.78 MHz, ZVS Class-D Wireless Power Amplifier



DESCRIPTION

The EPC9509 is a high efficiency, Zero Voltage Switching (ZVS), class-D wireless power amplifier demonstration board that operates at 6.78 MHz (Lowest ISM band). The purpose of this demonstration system is to simplify the evaluation process of wireless power amplifier technology using eGaN® FETs by including all the critical components on a single board that can be easily connected into an existing system.

The amplifier board features the enhancement-mode, half-bridge field effect transistor (FET), the 60 V rated EPC2108 eGaN FET with integrated synchronous bootstrap FET. The amplifier can be set to operate in either differential mode or single-ended mode and includes the gate driver/s, oscillator, and feedback controller for the pre-regulator that ensures operation for wireless power control based on the A4WP standard. This allows for testing compliant to the A4WP class 3 standard over a load range as high as $\pm 50j \Omega$. The pre-regulator features the 100 V rated 65 m Ω EPC2036 as the main switching device for a SEPIC converter.

For more information on the EPC2108 eGaN FETs please refer to the data-sheet available from EPC at www.epc-co.com. The datasheet should be read in conjunction with this quick start guide.

DETAILED DESCRIPTION

The Amplifier Board (EPC9509)

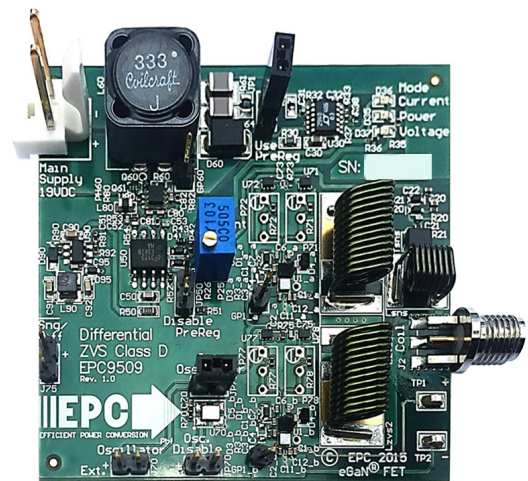
Figure 1 shows the system block diagram of the EPC9509 ZVS class-D amplifier with pre-regulator and figure 2 shows the details of the ZVS class-D amplifier section. The pre-regulator is used to control the ZVS class-D wireless power amplifier based on three feedback parameters 1) the magnitude of the coil current indicated by the green LED, 2) the DC power drawn by the amplifier indicated by the yellow LED and 3) a maximum supply voltage to the amplifier indicated by the red LED. Only one parameter at any time is used to control the pre-regulator with the highest priority being the maximum voltage supplied to the amplifier followed by the power delivered to the amplifier and lastly the magnitude of the coil current. The maximum amplifier supply voltage is pre-set to 52 V and the maximum power drawn by the amplifier is pre-set to 16 W. The coil current magnitude is pre-set to 800 mARMS but can be made adjustable using P25. The pre-regulator comprises a SEPIC converter that can operate at full power from 17 V through 24 V.

The pre-regulator can be bypassed by connecting the positive supply directly to the ZVS class-D amplifier supply after removing jumper JP1 at location JP1 and connecting the main positive supply to the bottom pin. JP1 can also be removed and replaced with a DC ammeter to directly measure the current drawn by the amplifier. When doing this observe a low impedance connection to ensure continued stable operation of the controller. Together with the Kelvin voltage probes (TP1 and TP2) connected to the amplifier supply, an accurate measurement of the power drawn by the amplifier can be made. The EPC9509 is also provided with a miniature high efficiency switch-mode 5 V supply to power the logic circuits on board such as the gate drivers and oscillator.

Table 1: Performance Summary (T_A = 25°C) EPC9509

| Symbol | Parameter | Conditions | Min | Max | Units |
|--------------------------|--|---|------|-----|-------|
| V _{IN} | Bus Input Voltage Range – Pre-Regulator Mode | Also used in bypass mode for logic supply | 17 | 24 | V |
| V _{IN} | Amp Input Voltage Range – Bypass Mode | | 0 | 52 | V |
| V _{OUT} | Switch-Node Output Voltage | | | 52 | V |
| I _{OUT} | Switch-Node Output Current (each) | | | 1* | A |
| V _{extosc} | External Oscillator Input Threshold | Input 'Low' | -0.3 | 0.8 | V |
| | | Input 'High' | 2.4 | 5 | V |
| V _{Pre_Disable} | Pre-Regulator Disable Voltage Range | Floating | -0.3 | 5.5 | V |
| I _{Pre_Disable} | Pre-Regulator Disable Current | Floating | -10 | 10 | mA |
| V _{Osc_Disable} | Oscillator Disable Voltage Range | Open Drain/Collector | -0.3 | 5 | V |
| I _{Osc_Disable} | Oscillator Disable Current | Open Drain/Collector | -25 | 25 | mA |
| V _{sgnDiff} | Differential or Single-Select Voltage | Open Drain/Collector | -0.3 | 5.5 | V |
| I _{sgnDiff} | Differential or Single-Select Current | Open Drain/Collector | -1 | 1 | mA |

* Maximum current depends on die temperature – actual maximum current will be subject to switching frequency, bus voltage and thermals.



EPC9509 amplifier board photo

The amplifier comes with its own low supply current oscillator that is pre-programmed to 6.78 MHz \pm 678 Hz. It can be disabled by placing a jumper into JP70 or can be externally shutdown using an externally controlled open collector / drain transistor on the terminals of JP70 (note which is the ground connection). The switch needs to be capable of sinking at least 25 mA. An external oscillator can be used instead of the internal oscillator when connected to J70 (note which is the ground connection) and the jumper (JP71) is removed.

The pre-regulator can also be disabled in a similar manner as the oscillator using JP50. However, note that this connection is floating with respect to the ground so removing the jumper for external connection requires a floating switch to correctly control this function. Refer to the datasheet of the controller IC and the schematic in this QSG for specific details.

The ZVS timing adjust circuits for the ZVS class D amplifiers are each independently settable to ensure highest possible efficiency setting and includes separate ZVS tank circuits. This allows OOK modulation capability for the amplifier.

The EPC9509 is provided with 3 LED's that indicate the mode of operation of the system. If the system is operating in coil current limit mode, then the green LED will illuminate. For power limit mode, the yellow LED will illuminate. Finally, when the pre-regulator reaches maximum output voltage the red LED will illuminate indicating that the system is no longer A4WP compliant as the load impedance is too high for the amplifier to drive. When the load impedance is too high to reach power limit or voltage limit mode, then the current limit LED will illuminate incorrectly indicating current limit mode. This mode also falls outside the A4WP standard and by measuring the amplifier supply voltage across TP1 and TP2 will show that it has nearly reach the maximum value limit.

Single ended or Differential Mode operation

The EPC9509 amplifier can be operated in one of two modes; single-ended or differential mode. Single ended operation offers higher amplifier efficiency but reduced imaginary impedance drive capability. If the reflected impedance of the tuned coil load exceeds the capability of the amplifier to deliver the desired power, then the amplifier can be switched over to differential mode. In differential mode, the amplifier is capable of driving an impedance range of 1 Ω through 56 Ω and ±50j Ω and maintains either the 800 mA_{RMS} coil current or deliver up to 16 W of power. The EPC9509 is set by default to differential mode and can be switched to single ended mode by inserting a jumper into J75. When inserted the amplifier operates in the single-ended mode. Using an external pull down with floating collector/ drain connection will have the same effect. The external transistor must be capable of sinking 25 mA and withstand at least 6 V.

For differential mode only operation, the two ZVS inductors L_{ZVS1} and L_{ZVS2} can be replaced by a single inductor L_{ZVS12} and by removing C_{ZVS1} and C_{ZVS2}.

ZVS Timing Adjustment

Setting the correct time to establish ZVS transitions is critical to achieving high efficiency with the EPC9509 amplifier. This can be done by selecting the values for R71, R72, R77, and R78 or P71, P72, P77, and P78 respectively. This procedure is best performed using a potentiometer installed at the appropriate locations that is used to determine the fixed resistor values. The procedure is the same for both single-ended and differential mode of operation. The timing MUST initially be set WITHOUT the source coil connected to the amplifier. The timing diagrams are given in Figure 5 and should be referenced when following this procedure. Only perform these steps if changes have been made to the board as it is shipped preset. The steps are:

1. With power off, remove the jumper in JP1 and install it into JP50 to place the EPC9509 amplifier into Bypass mode. Connect the main input power supply (+) to JP1 (bottom pin – for bypass mode) with ground connected to J1 ground (-) connection.

2. With power off, connect the control input power supply bus (19 V) to (+) connector (J1). Note the polarity of the supply connector.
3. Connect a LOW capacitance oscilloscope probe to the probe-hole of the half-bridge to be set and lean against the ground post as shown in Figure 4.
4. Turn on the control supply – make sure the supply is approximately 19 V.
5. Turn on the main supply voltage starting at 0 V and increasing to the required predominant operating value (such as 24 V but NEVER exceed the absolute maximum voltage of 52 V).
6. While observing the oscilloscope adjust the applicable potentiometers to so achieve the green waveform of figure 5.
7. Repeat for the other half-bridge.
8. Replace the potentiometers with fixed value resistors if required. Remove the jumper from JP50 and install it back into JP1 to revert the EPC9509 back to pre-regulator mode.

Determining component values for L_{ZVS}

The ZVS tank circuit is not operated at resonance, and only provides the necessary negative device current for self-commutation of the output voltage at turn off. The capacitors C_{ZVS1} and C_{ZVS2} are chosen to have a very small ripple voltage component and are typically around 1 μF. The amplifier supply voltage, switch-node transition time will determine the value of inductance for L_{ZVSx} which needs to be sufficient to maintain ZVS operation over the DC device load resistance range and coupling between the device and source coil range and can be calculated using the following equation:

$$L_{ZVS} = \frac{\Delta t_{vt}}{8 \cdot f_{sw} \cdot (C_{OSSQ} + C_{well})} \tag{1}$$

Where:

- Δt_{vt} = Voltage Transition Time [s]
- f_{sw} = Operating Frequency [Hz]
- C_{OSSQ} = Charge Equivalent Device Output Capacitance [F]
- C_{well} = Gate driver well capacitance [F]. Use 20 pF for the LM5113

NOTE. that the amplifier supply voltage V_{AMP} is absent from the equation as it is accounted for by the voltage transition time. The C_{OSS} of the EPC2108 eGaN FETs is very low and lower than the gate driver well capacitance C_{well} which as a result must now be included in the ZVS timing calculation. The charge equivalent capacitance can be determined using the following equation:

$$C_{OSSQ} = \frac{1}{V_{AMP}} \cdot \int_0^{V_{AMP}} C_{OSS}(v) \cdot dv \tag{2}$$

To add additional immunity margin for shifts in coil impedance, the value of L_{ZVS} can be decreased to increase the current at turn off of the devices (which will increase device losses). Typical voltage transition times range from 2ns through 12ns. For the differential case the voltage and charge (C_{OSSQ}) are doubled when calculating the ZVS inductance.

QUICK START PROCEDURE

The EPC9509 amplifier board is easy to set up and evaluate the performance of the eGaN FET in a wireless power transfer application.

The EPC9509 can be operated using any one of two alternative methods:

- a. Using the pre-regulator
- b. Bypassing the pre-regulator

a. Operation using the pre-regulator

The pre-regulator is used to supply power to the amplifier in this mode and will limit the coil current, power delivered or maximum supply voltage to the amplifier based on the pre-determined settings.

The main 19 V supply must be capable of delivering 2 ADC. DO NOT turn up the voltage of this supply when instructed to power up the board, instead simply turn on the supply. The EPC9509 board includes a pre-regulator to ensure proper operation of the board including start up.

1. Make sure the entire system is fully assembled prior to making electrical connections and make sure jumper JP1 is installed. Also make sure the source coil and device coil with load are connected.
2. With power off, connect the main input power supply bus to J1 as shown in figure 3. Note the polarity of the supply connector.
3. Make sure all instrumentation is connected to the system.
4. Turn on the main supply voltage to the required value (19 V).
5. Once operation has been confirmed, observe the output voltage, efficiency and other parameters on both the amplifier and device boards.
6. For shutdown, please follow steps in the reverse order.

b. Operation bypassing the pre-regulator

In this mode, the pre-regulator is bypassed and the main power is connected directly to the amplifier. This allows the amplifier to be operated using an external regulator. In this mode there is no protection for ensuring the correct operating conditions for the eGaN FETs.

When in bypass mode it is crucial to slowly turn up the supply voltage starting at 0 V. Note that in bypass mode you will be using two supplies; one for logic and the other for the amplifier power.

1. Make sure the entire system is fully assembled prior to making electrical connections and make sure jumper JP1 has been removed and installed in JP50 to disable the pre-regulator and place the EPC9509 in bypass mode. Also make sure the source coil and device coil with load are connected.
2. With power off, connect the main input power supply bus +V_{IN} to the bottom pin of JP1 and the ground to the ground connection of J1 as shown in figure 3.

3. With power off, connect the control input power supply bus to J1. Note the polarity of the supply connector. This is used to power the gate drivers and logic circuits.
4. Make sure all instrumentation is connected to the system.
5. Turn on the control supply – make sure the supply is 19 V range.
6. Turn on the main supply voltage to the required value (it is recommended to start at 0 V and do not exceed the absolute maximum voltage of 52 V).
7. Once operation has been confirmed, adjust the main supply voltage within the operating range and observe the output voltage, efficiency and other parameters on both the amplifier and device boards.
8. For shutdown, please follow steps in the reverse order. Start by reducing the main supply voltage to 0 V followed by steps 6 through 2.

NOTE.

1. When measuring the high frequency content switch-node (Source Coil Voltage), care must be taken to avoid long ground leads. An oscilloscope probe connection (preferred method) has been built into the board to simplify the measurement of the Source Coil voltage (shown in Figure 4).
2. To maintain control stability, the red LED for voltage mode indicator on the EPC9509 version 1.0 has been disabled. This will be corrected in subsequent revisions of the board. For questions regarding this LED function, please contact EPC.
3. AVOID using a Lab Benchtop programmable DC as the load for the device board. These loads have low control bandwidth and will cause the EPC9509 system to oscillate at a low frequency and may lead to failure. It is recommended to use a fixed low inductance resistor as an initial load. Once a design matures, a post regulator, such as a Buck converter, can be used.

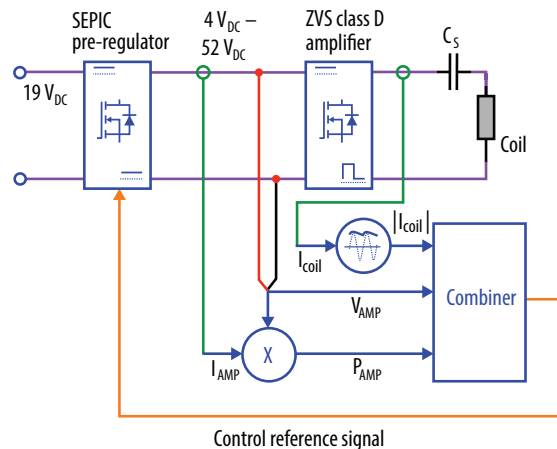


Figure 1: Block diagram of the EPC9509 wireless power amplifier

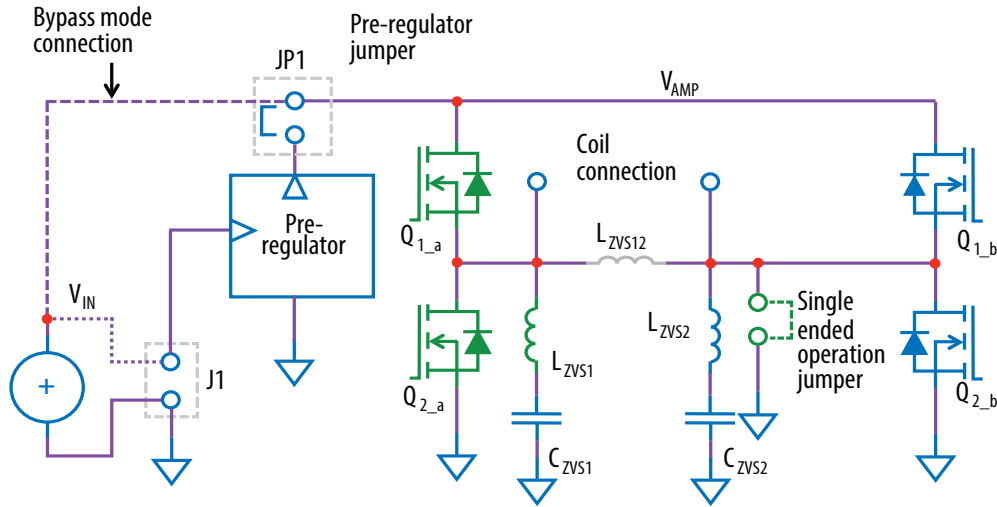
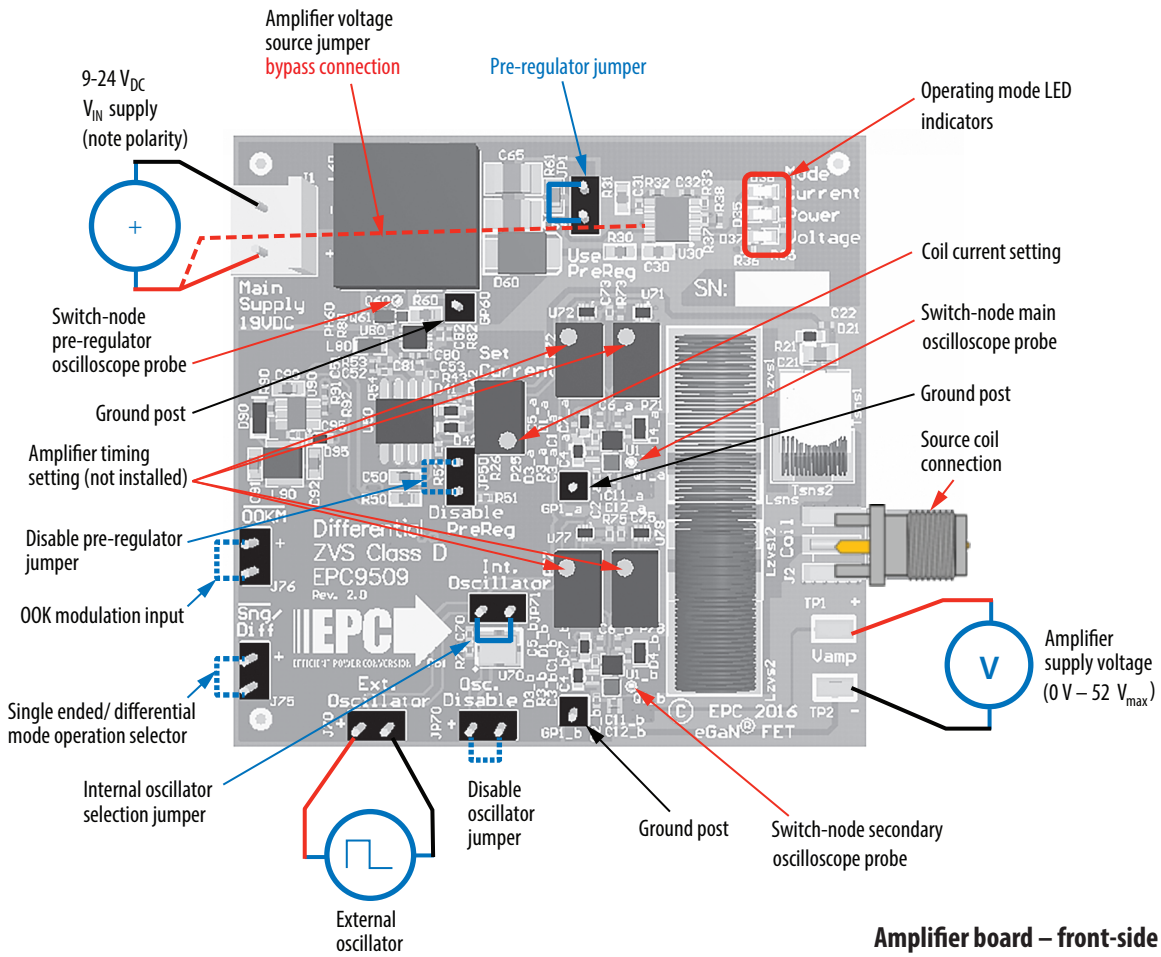


Figure 2: Diagram of EPC9509 amplifier circuit



Amplifier board – front-side

Figure 3: Proper connection and measurement setup for the amplifier board

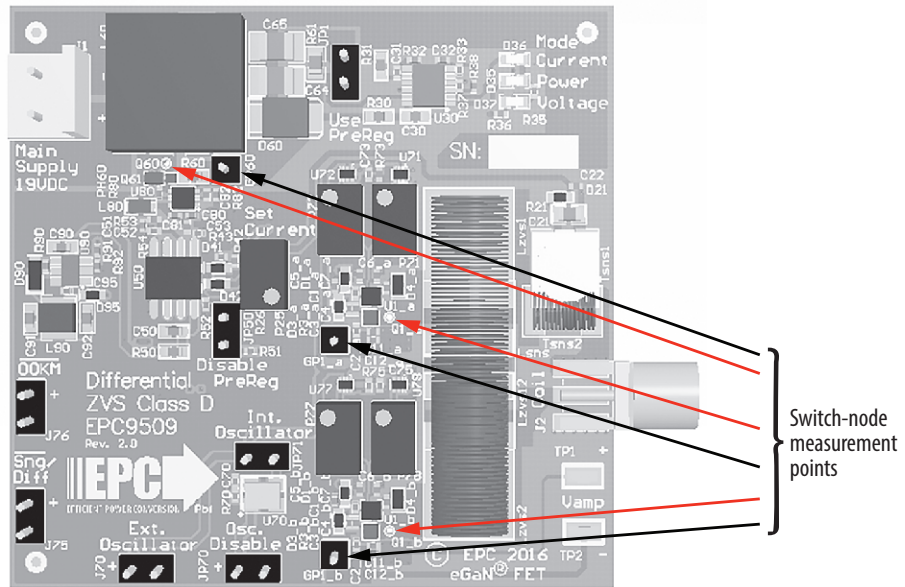


Figure 4: Proper measurement of the switch nodes using the hole and ground post

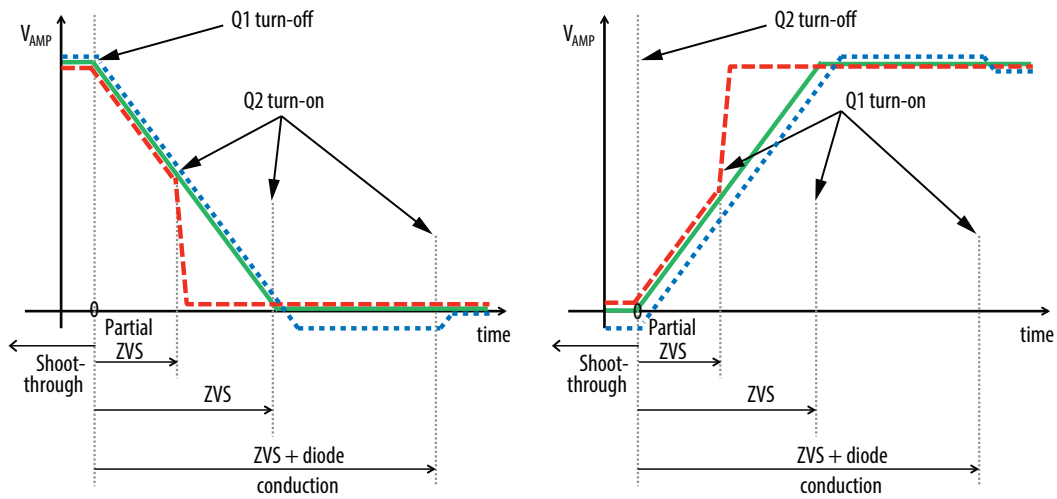


Figure 5: ZVS timing diagrams

THERMAL CONSIDERATIONS

The EPC9509 demonstration system showcases the EPC2108 and EPC2036 eGaN FETs in a wireless energy transfer application. Although the electrical performance surpasses that of traditional silicon devices, their relatively smaller size does magnify the thermal management requirements. The operator must observe the temperature of the gate driver and eGaN FETs to ensure that both are operating within the thermal limits as per the datasheets.

NOTE. The EPC9509 demonstration system has limited current protection only when operating off the Pre-Regulator. When bypassing the pre-regulator there is no current protection on board and care must be exercised not to over-current or over-temperature the devices. Excessively wide coil coupling and load range variations can lead to increased losses in the devices.

Pre-Cautions

The EPC9509 demonstration system has a limited controller and no enhanced protection systems and therefore should be operated with caution. Some specific precautions are:

1. Please contact EPC at info@epc-co.com should the tuning of the coil be required to change to suit specific conditions so that it can be correctly adjusted for use with the ZVS class-D amplifier.
2. There is no heat-sink on the devices and during experimental evaluation it is possible present conditions to the amplifier that may cause the devices to overheat. Always check operating conditions and monitor the temperature of the EPC devices using an IR camera.
3. Never connect the EPC9509 amplifier board into your VNA in an attempt to measure the output impedance of the amplifier. Doing so will severely damage the VNA.

Table 2: Bill of Materials - Amplifier Board

| Item | Qty | Reference | Part Description | Manufacturer | Part # |
|------|-----|--|--------------------|--------------|---------------------|
| 1 | 3 | C1_a, C1_b, C80 | 1 µF, 10 V | TDK | C1005X751A105M050BC |
| 2 | 12 | C2_a, C2_b, C4_a, C4_b, C35, C51, C70, C71, C72, C77, C78, C81 | 100 nF, 16 V | Würth | 885012205037 |
| 3 | 3 | C3_a, C3_b, C95 | 22 nF, 25 V | Würth | 885012205052 |
| 4 | 2 | C5_a, C5_b | DNP (100 nF, 16 V) | Würth | 885012205037 |
| 5 | 1 | C20 | DNP (1 nF, 50 V) | Murata | GRM155R71H102KA01D |
| 6 | 1 | C73 | DNP (22 pF, 50 V) | Würth | 885012005057 |
| 7 | 1 | R20 | DNP (10k) | Panasonic | ERJ-2GEJ103X |
| 8 | 8 | C6_a, C6_b, C7_a, C7_b, C31, C44, C75, C82 | 22 pF, 50 V | Würth | 885012005057 |
| 9 | 4 | C11_a, C11_b, C12_a, C12_b | 10 nF, 100 V | TDK | C1005X752A103K050BB |
| 10 | 4 | C15_a, C15_b, C64, C65 | 2.2 µF, 100 V | Taiyo Yuden | HMK325B7225KN-T |
| 11 | 1 | C21 | 680 pF, 50 V | Murata | GRM155R71H681KA01D |
| 12 | 1 | C22 | 1 nF, 50 V | Murata | GRM155R71H102KA01D |
| 13 | 2 | C30, C50 | 100 nF, 100 V | Murata | GRM188R72A104KA35D |
| 14 | 1 | C32 | 1 nF, 50 V | Murata | GRM1555C1H102JA01D |
| 15 | 1 | C52 | 100 pF | Murata | GRM1555C1H101JA01D |
| 16 | 2 | C53, CR43 (on top of R43) | 10 nF, 50 V | Murata | GRM155R71H103KA88D |
| 17 | 2 | C61, C62 | 4.7 µF, 50 V | Taiyo Yuden | UMK325BJ475MM-T |
| 18 | 1 | C63 | 10 µF, 35 V | Taiyo Yuden | GMK325BJ106KN-T |
| 19 | 3 | C90, C91, C92 | 1 µF, 25 V | Würth | 885012206076 |
| 20 | 2 | C _{ZVS1} , C _{ZVS2} | 1 µF, 50 V | Würth | 885012207103 |
| 21 | 3 | D1_a, D1_b, D95 | 40 V, 300 mA | ST | BAT54KFILM |
| 22 | 10 | D2_a, D2_b, D21, D40, D41, D42, D71, D72, D77, D78 | 40 V, 30 mA | Diodes Inc. | SDM03U40 |
| 23 | 3 | D3_a, D3_b, D20 | 40 V, 30 mA | Diodes Inc. | SDM03U40 |
| 24 | 2 | D4_a, D4_b | 5V1, 150 mW | Bournes | CD0603-Z5V1 |
| 25 | 1 | D35 | LED 0603 Yellow | Lite-On | LTST-C193KSKT-5A |
| 26 | 1 | D36 | LED 0603 Green | Lite-On | LTST-C193KGKT-5A |
| 27 | 1 | D37 | LED 0603 Red | Lite-On | LTST-C193KRKT-5A |
| 28 | 1 | D60 | 100 V, 1 A | On-Semi | MBRS1100T3G |
| 29 | 1 | D90 | 40 V, 1 A | Diodes Inc. | PD3S140-7 |
| 30 | 3 | GP1_a, GP1_b, GP60 | .1" Male Vert. | Würth | 61300111121 |
| 31 | 1 | J1 | .156" Male Vert. | Würth | 645002114822 |
| 32 | 1 | J2 | SMA Board Edge | Linx | CONSAM003.062 |
| 33 | 6 | J70, J75, JP1, JP50, JP70, JP71 | .1" Male Vert. | Würth | 61300211121 |
| 34 | 1 | JMP1 | DNP | | |
| 35 | 1 | L60 | 33 µH, 2.8 A | CoilCraft | MSD1278-334 |
| 36 | 1 | L80 | 10 µH, 150 mA | Taiyo Yuden | LBR2012T100K |
| 37 | 1 | L90 | 47 µH, 250mA | Würth | 7440329470 |
| 38 | 1 | L _{sn} | 110 nH | CoilCraft | 2222SQ-111JE |
| 39 | 2 | L _{ZVS1} , L _{ZVS2} see addendum statement | 390 nH | CoilCraft | 2929SQ-391JE |

(continued on next page)

| Table 2: Bill of Materials - Amplifier Board (continued) | | | | | |
|--|-----|-------------------------|--------------------------|------------------------|-------------------------------|
| Item | Qty | Reference | Part Description | Manufacturer | Part # |
| 40 | 1 | L _{zvs12} | DNP | CoilCraft | TBD |
| 41 | 5 | P25, P71, P72, P77, P78 | 10 k, DNP (1 k) | Bournes, Murata | 3266Y-1-103LF, PV37Y102C01B00 |
| 42 | 2 | Q1_a, Q1_b | 60 V, 150 mΩ with SB | EPC | EPC2108 |
| 43 | 1 | Q60 | 100 V, 65 mΩ | EPC | EPC2036 |
| 44 | 1 | Q61 | DNP (100 V, 6 A, 30 mΩ) | EPC | EPC2007C |
| 45 | 3 | R2_a, R2_b, R82 | 20 Ω | Stackpole | RMCF0402JT20R0 |
| 46 | 2 | R3_a, R3_b | 27 k | Panasonic | ERJ-2GEJ273X |
| 47 | 2 | R4_a, R4_b | 4.7 Ω | Panasonic | ERJ-2GEJ4R7X |
| 48 | 1 | R20 | DNP (10 k) | Panasonic | ERJ-2GEJ103X |
| 49 | 1 | R21 | 100 k | Panasonic | ERJ-2GEJ104X |
| 50 | 1 | R25 | 7.5 k | Panasonic | ERJ-2RKF7501X |
| 51 | 1 | R26 | 2 k | Panasonic | ERJ-2RKF2001X |
| 52 | 1 | R30 | 100 Ω | Panasonic | ERJ-3EKF1000V |
| 53 | 1 | R31 | 51.0 k 1% | Panasonic | ERJ-3EKF5102V |
| 54 | 1 | R32 | 8.2 k 1% | Panasonic | ERJ-2RKF8201X |
| 55 | 2 | R33, R70 | 47 k | Panasonic | ERJ-2RKF4702X |
| 56 | 2 | R35, R36 | 634 Ω | Panasonic | ERJ-2RKF6340X |
| 57 | 1 | R37 | 150 k 1% | Panasonic | ERJ-2RKF1503X |
| 58 | 2 | R38, R91 | 49.9 k 1% | Panasonic | ERJ-2RKF4992X |
| 59 | 1 | R40 | 196 k | Panasonic | ERJ-3EKF1963V |
| 60 | 1 | R41 | 6.04 k | Panasonic | ERJ-2RKF6041X |
| 61 | 1 | R42 | 24.9 k | Panasonic | ERJ-2RKF2492X |
| 62 | 1 | R43 | 10.5 k | Panasonic | ERJ-2RKF1052X |
| 63 | 2 | R44, R90 | 100 k 1% | Panasonic | ERJ-2RKF1003X |
| 64 | 1 | R50 | 10 Ω | Panasonic | ERJ-3EKF10R0V |
| 65 | 1 | R51 | 124 k 1% | Panasonic | ERJ-2RKF1243X |
| 66 | 1 | R52 | 71.5 k 1% | Panasonic | ERJ-2RKF7152X |
| 67 | 1 | R53 | 1.00 k | Panasonic | ERJ-2RKF1001X |
| 68 | 1 | R54 | 0 Ω | Yageo | RC0402JR-070RL |
| 69 | 1 | R60 | 40 mΩ, 0.4 W | Vishay Dale | WSLP0603R0400FEB |
| 70 | 1 | R61 | 150 mΩ, 0.25 W | Vishay Dale | WSL0805R1500FEA18 |
| 71 | 2 | R71, R78 | 124 Ω | Panasonic | ERJ-2RKF1240X |
| 72 | 2 | R72, R77 | 22 Ω | Panasonic | ERJ-2RKF22R0X |
| 73 | 2 | R73, R75 | 10 k | Panasonic | ERJ-2GEJ103X |
| 74 | 1 | R80 | 2.2 Ω | Yageo | RC0402JR-072R2L |
| 75 | 1 | R92 | 9.53 k 1% | Panasonic | ERJ-2RKF9531X |
| 76 | 2 | TP1, TP2 | SMD Probe Loop | Keystone | 5015 |
| 77 | 1 | Tsns | 10 μH, 1:1, 96.9% | CoilCraft | PFD3215-103ME |
| 78 | 2 | U1_a, U1_b | 100 V eGaN Driver | National Semiconductor | LM5113TM |
| 79 | 1 | U30 | Power & Current Monitor | Linear | LT2940IMS#PBF |
| 80 | 1 | U35 | DNP (Comparator) | Texas Instruments | TLV3201AIDBVR |
| 81 | 1 | U50 | Boost Controller | Texas Instruments | LM3478MAX/NOPB |
| 82 | 1 | U70 | Programmable Oscillator | KDS Daishinku America | DSO2215HF 6.780 |
| 83 | 2 | U71, U77 | 2 In NAND | Fairchild | NC7SZ00L6X |
| 84 | 2 | U72, U78 | 2 In AND | Fairchild | NC7SZ08L6X |
| 85 | 1 | U80 | Gate Driver with LDO | Texas Instruments | UCC27611DRV |
| 86 | 1 | U90 | 1.4 MHz, 24 V, 0.5A Buck | MPS | MP2357DJ-LF |

EPC would like to acknowledge Würth Electronics (www.we-online.com/web/en/wuerth_elektronik/start.php), Coilcraft (www.coilcraft.com), and KDS Daishinku America (www.kdsamerica.com) for their support of this project.

Addendum Statement; Ongoing testing of the EPC9509 revealed that the improvement in performance of the EPC2108 based design exceeded that of earlier design criteria and as such the design could further be improved to increase efficiency by changing Lzvs1 and Lzvs2 from 390nH (Coilcraft 2929SQ-391JEB) to 500nH (Coilcraft 2929SQ-501JEB).

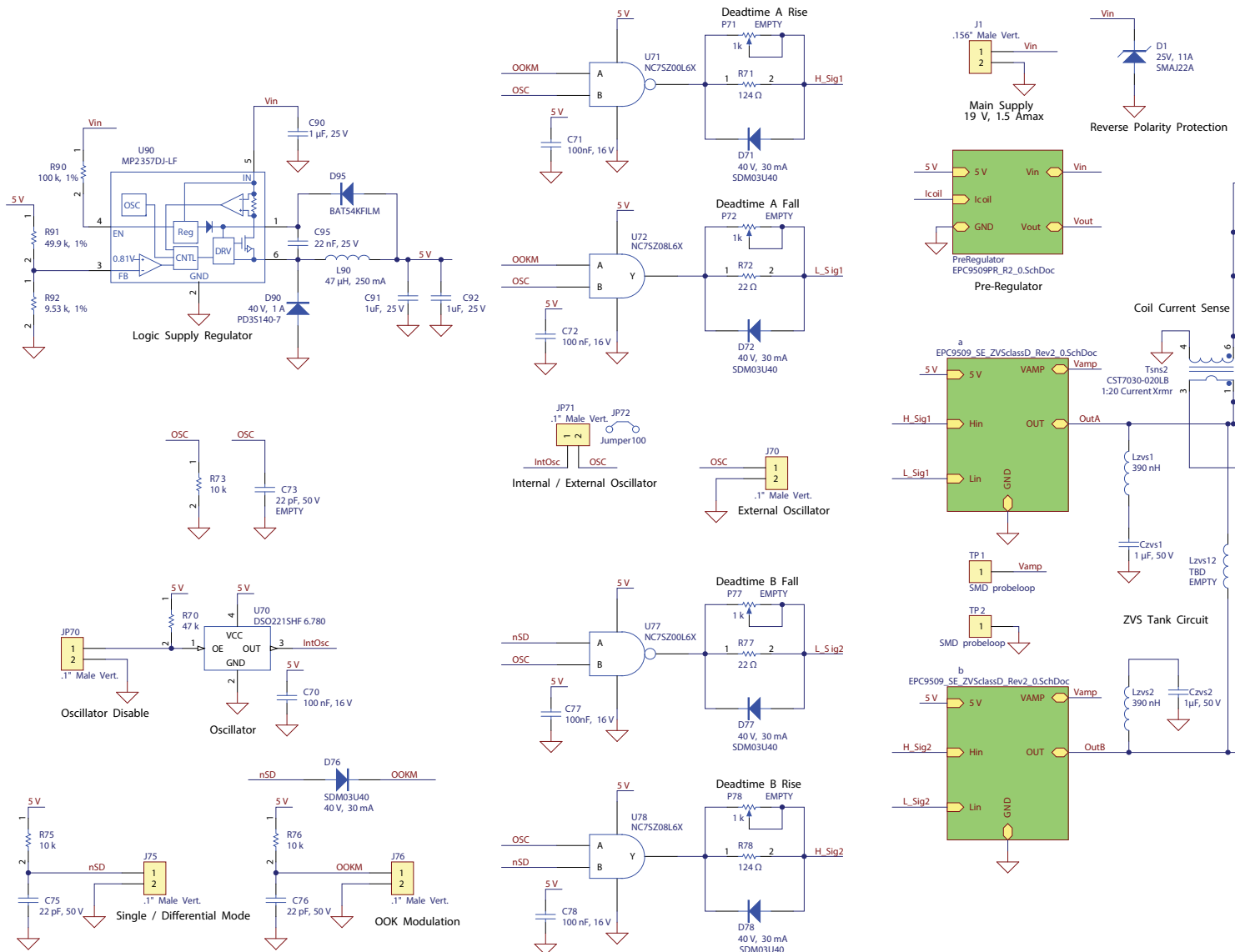
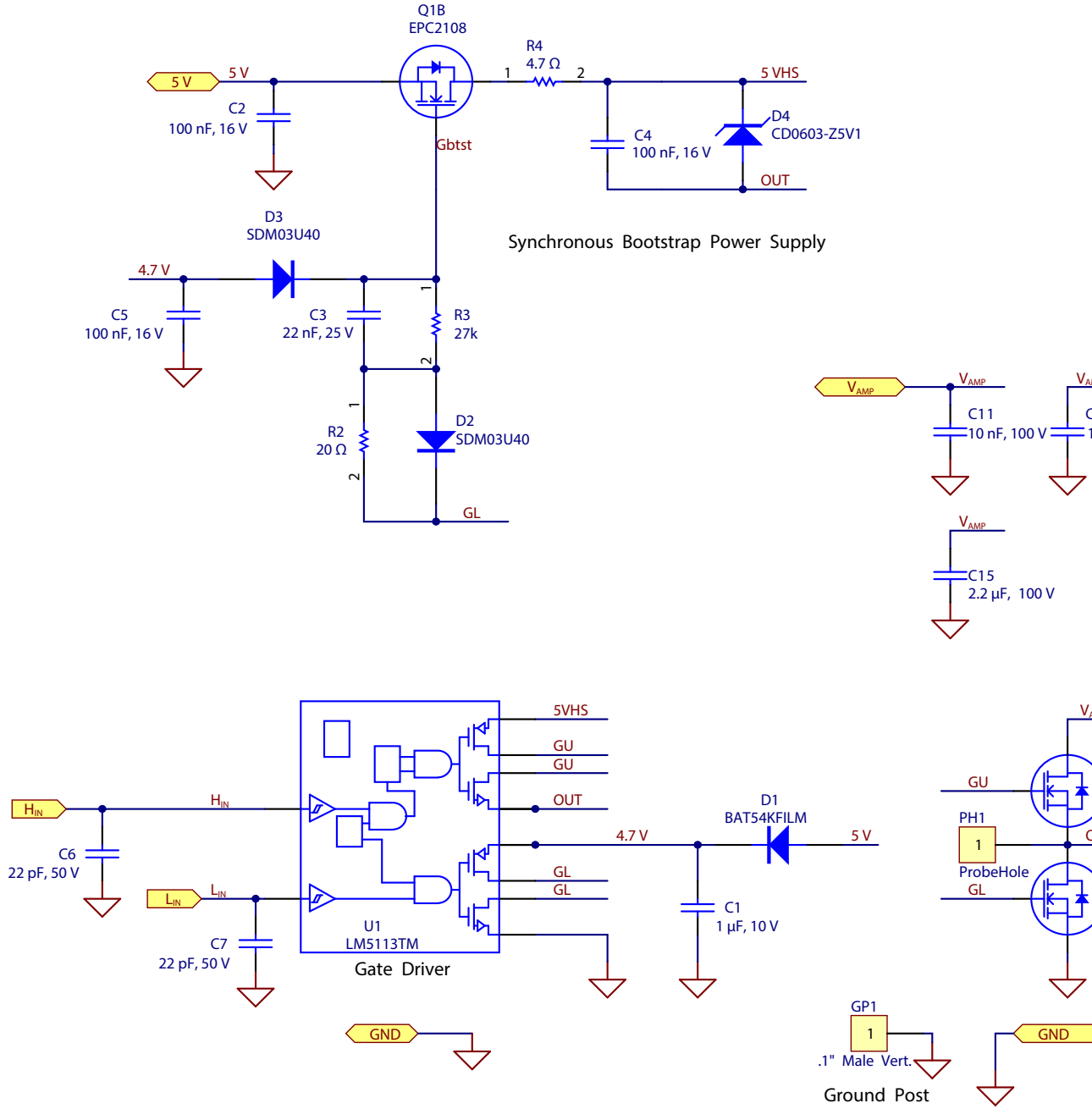


Figure 6: EPC9509 - ZVS class-D amplifier schematic

Addendum Statement; Original design criteria for the EPC9509 was based on improvement in performance of earlier design criteria and to increase efficiency by changing the MOSFET to 2929SQ-391JEB) to 500nH (Lzvs1)



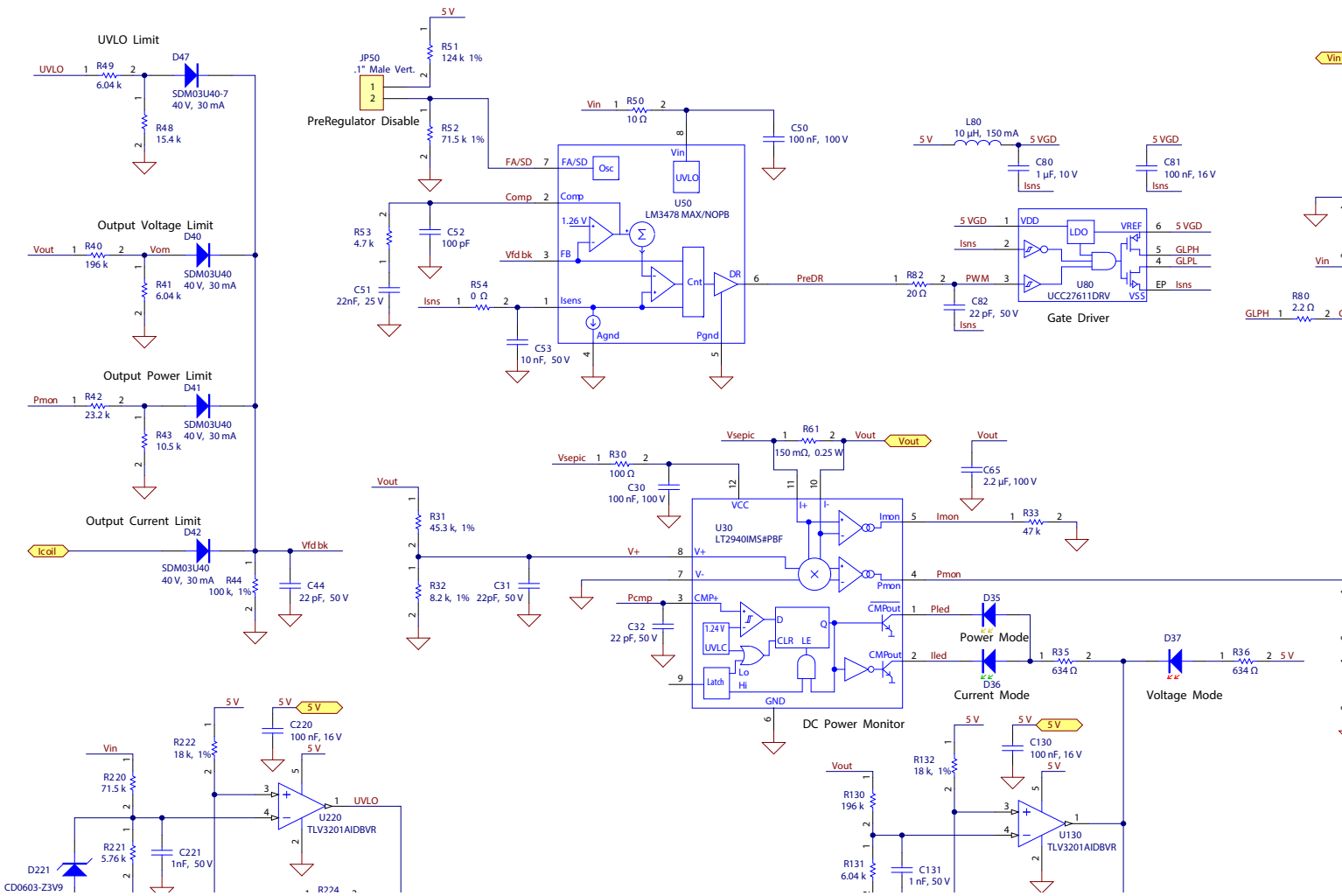


Figure 8: EPC9509 - Pre-regulator schematic

For More Information:

Please contact info@epc-co.com
or your local sales representative

Visit our website:
www.epc-co.com

Sign-up to receive
EPC updates at
bit.ly/EPCupdates
or text "EPC" to 22828



EPC Products are distributed through Digi-Key.
www.digikey.com

Demonstration Board Notification

The EPC9509 board is intended for product evaluation purposes only and is not intended for commercial use. As an evaluation tool, it is not designed for compliance with the European Union directive on electromagnetic compatibility or any other such directives or regulations. As board builds are at times subject to product availability, it is possible that boards may contain components or assembly materials that are not RoHS compliant. Efficient Power Conversion Corporation (EPC) makes no guarantee that the purchased board is 100% RoHS compliant. No Licenses are implied or granted under any patent right or other intellectual property whatsoever. EPC assumes no liability for applications assistance, customer product design, software performance, or infringement of patents or any other intellectual property rights of any kind.

EPC reserves the right at any time, without notice, to change said circuitry and specifications.

X-ON Electronics

Largest Supplier of Electrical and Electronic Components

Click to view similar products for [epcos manufacturer](#):

Other Similar products are found below :

[B82432X001](#) [B82731H2501A30](#) [B25673A4302A080](#) [B32529C0104K000](#) [B43501B3337M7](#) [B44066R6012E230](#) [B57235S0100M](#)
[B57236S0200M](#) [B57236S0259M](#) [B57236S0800M](#) [B57237S0100M](#) [B57237S0109M](#) [B57237S0229M](#) [B57237S0259M](#) [B57237S0330M](#)
[B72520T0250K062](#) [B82422A1102K100](#) [B82422A1333K100](#) [B82422A1472K100](#) [B82721A2202N001](#) [B84142A50R](#) [B84143B600S20](#)
[B84144A0120R000](#) [B84144A90R120](#) [B84243A8008W](#) [B88069X0270S102](#) [BR6000-R6](#) [B25631A1506K200](#) [B32656S0105K561](#)
[B32656T684K](#) [B32686A7104K](#) [B32913A5154M](#) [B41550E7229Q000](#) [B43252A5476M](#) [B57236S0509M](#) [B57237S0150M](#) [B57237S0479M](#)
[B57237S0509M](#) [B59955C0120A070](#) [B59995C0120A070](#) [B64290A0045X038](#) [B72240B321K1](#) [B72530T0400K062](#) [B72530T250K62](#)
[B82422A1473K100](#) [B84144A50R](#) [B32332I6755J080](#) [B32521C1105J](#) [B32673P6474K000](#) [B43504B2108M000](#)