

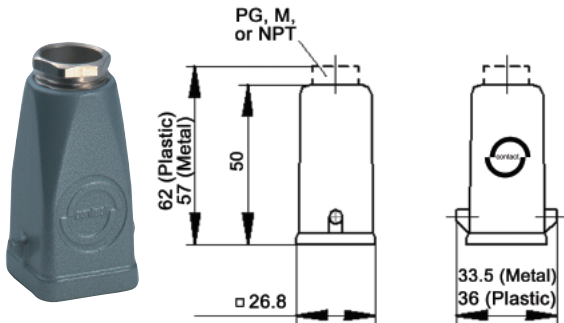
EPIC® Rectangular Connectors



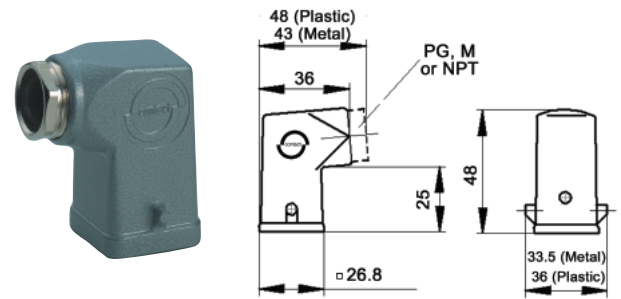
HA 3/4 Housings: Single Lever on Base

TOP & SIDE ENTRY HOODS

TOP ENTRY



SIDE ENTRY



All dimensions are in mm.

Specifications: DIN 43652
Temperature Range: -40°C to +125°C

Protection class: NEMA 4, NEMA 12, IP65
Material: Aluminum alloy, powder coated

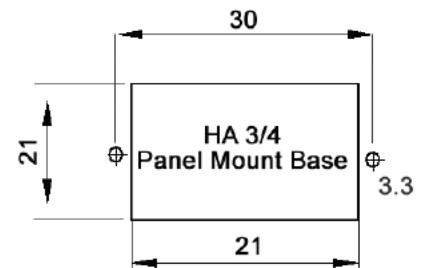
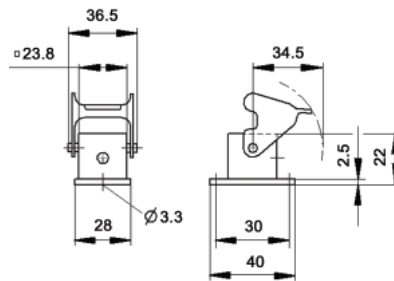
Top Entry Hoods

| Material | Size of Entry | | | Without Cable Gland | | With Cable Gland | |
|---------------|---------------|------|--------|---------------------|----------|------------------|----------|
| | PG | NPT | Metric | NPT | Metric | PG | Metric |
| Zinc Die Cast | 11 | 1/2" | 20 | 105121NP | - | 10426500 | 19426500 |
| Black Plastic | 11 | 1/2" | 20 | 104255NP | 19425500 | 10426700 | - |
| Grey Plastic | 11 | 1/2" | 20 | 104260NP | 19426000 | 10426400 | - |

Side Entry Hoods

| Material | Size of Entry | | | Without Cable Gland | | With Cable Gland | |
|---------------|---------------|------|--------|---------------------|----------|------------------|----------|
| | PG | NPT | Metric | NPT | Metric | PG | Metric |
| Zinc Die Cast | 11 | 1/2" | 20 | 105123NP | - | 10427500 | 19427500 |
| Black Plastic | 11 | 1/2" | 20 | 104273NP | 19427300 | 10620600 | - |
| Grey Plastic | 11 | 1/2" | 20 | 104270NP | 19427000 | 10427100 | - |

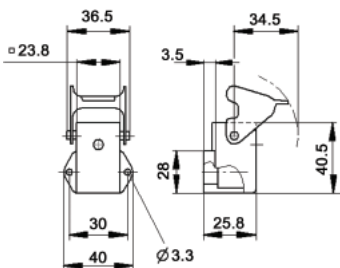
PANEL MOUNT BASES



| Gray Metal | Black Plastic | Gray Plastic |
|------------|---------------|--------------|
| 10422500 | 10422200 | 10422000 |

All dimensions are in mm.

ANGLED PANEL MOUNT BASES

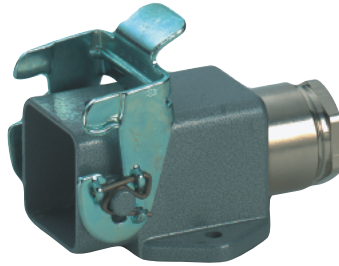
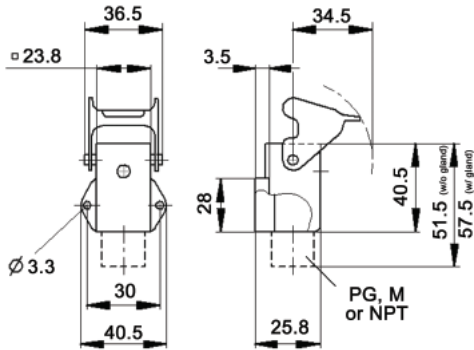


| Gray Metal | Black Plastic | Gray Plastic |
|------------|---------------|--------------|
| 10423500 | 10423100 | 10423000 |



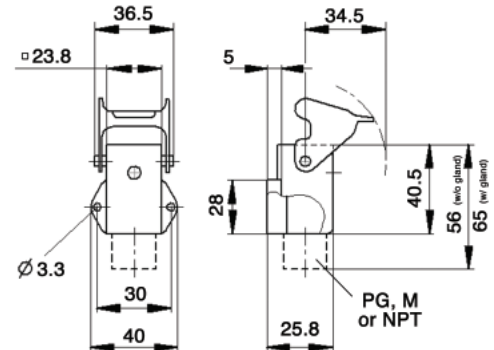
SURFACE MOUNT BASES

METAL



All dimensions are in mm.

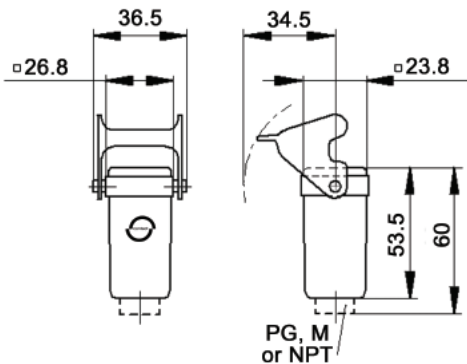
PLASTIC



| Material | Size of Entry | | | Without Cable Gland | | With Cable Gland | |
|---------------|---------------|------|--------|---------------------|----------|------------------|----------|
| | PG | NPT | Metric | NPT | Metric | PG | Metric |
| Zinc Die Cast | 11 | 1/2" | 20 | 105127NP | - | 10424500 | 19424500 |
| Grey Plastic | 11 | 1/2" | 20 | 104240NP | 19424100 | 10424200 | - |

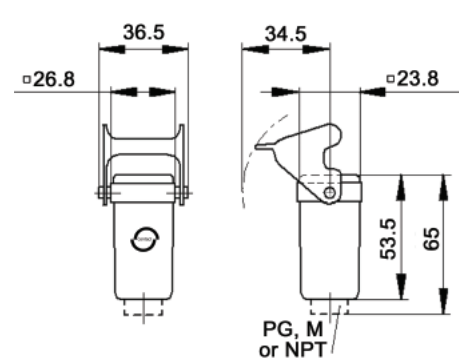
CABLE COUPLER HOODS

METAL



All dimensions are in mm.

PLASTIC



| Material | Size of Entry | | | Without Cable Gland | | With Cable Gland | |
|---------------|---------------|------|--------|---------------------|----------|------------------|----------|
| | PG | NPT | Metric | NPT | Metric | PG | Metric |
| Zinc Die Cast | 11 | 1/2" | 20 | 105129NP | 19512900 | 10429500 | 19429500 |
| Black Plastic | 11 | 1/2" | 20 | 104292NP | 19429200 | 10620300 | - |
| Grey Plastic | 11 | 1/2" | 20 | 104290NP | 19429000 | 10429100 | - |

DUST COVERS WITH OR WITHOUT ATTACHMENT STRING

Material: Thermoplastic Resin

Temperature: -40°C to +125°C



| Covers for Panel Mount or Surface Mount Bases/ and Cable Coupler Hoods | Part # with string | Part # without string |
|---|--------------------|-----------------------|
| Dust Cover for HA 3/4 Housings with Male Insert | 10430400 | 10430000 |
| Metal Dust Cover for HA 3/4 Housings with Male Insert | 10513000 | 10430500 |
| Dust Cover for HA 3/4 Housings with Female Insert (includes gasket) | 10430100 | 10430300 |
| Metal Dust Cover for HA 3/4 Housings with Female Insert (includes gasket) | 10513100 | - |

X-ON Electronics

Largest Supplier of Electrical and Electronic Components

Click to view similar products for Epic manufacturer:

Other Similar products are found below :

[44420040 + 73002716](#) [8701+50101200](#) [19426500](#) [10.0340+10.1930+12.9544](#) [10.0720+10.1710](#) [10.1130+12.9545](#)
[10.4265+10.4245+10.4310+10.4320](#) [10.4265+10.4295+10.4310+10.4320](#) [72004000 + 73018000](#) [HA4-FK-TE-CH-M-M20](#) [44420040 +](#)
[73028500](#) [11161000](#) [11.1610](#) [44423220](#) [44423224](#) [10.0720](#) [9198+00022030](#) [72004000 + 73002756](#) [10.1020+10.1970](#) [24420055 + 73002720](#)
[72000010](#) [72004000 + 73028500](#) [73004610](#) [10.4320](#) [10.5310](#) [44420037 + 73002720](#) [10.0820+10.1700+12.9546](#)
[10.1130+10.1020+10.1960+10.1970+12.9545](#) [10.4264+10.4310](#) [10.4310](#) [44423216](#) [44423217](#) [8883+00022030](#) [72004000 + 73002740](#)
[10.4220+10.4320](#) [10.4265+10.4235+10.4200+10.4210](#) [74020000](#) [HBE24-FK-SE-PM-M20](#) [10.4225](#) [44420037 + 73002752](#) [10.4401](#) [10.4264](#)
[10121000+10196000+12954500](#) [10102000](#) [44423251](#) [72004000 + 73002716](#) [72040010](#) [8722+00022030](#) [44423256](#) [10.4881](#)