

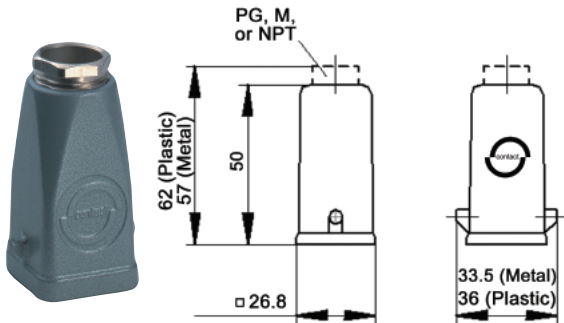
EPIC® Rectangular Connectors



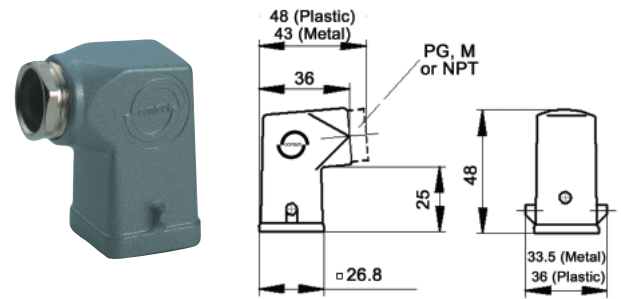
HA 3/4 Housings: Single Lever on Base

TOP & SIDE ENTRY HOODS

TOP ENTRY



SIDE ENTRY



All dimensions are in mm.

Specifications: DIN 43652
Temperature Range: -40°C to +125°C

Protection class: NEMA 4, NEMA 12, IP65
Material: Aluminum alloy, powder coated

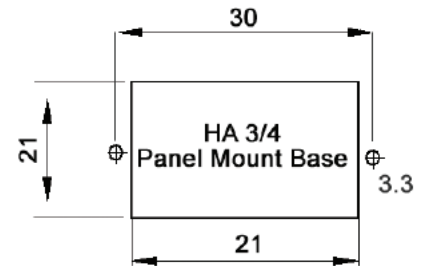
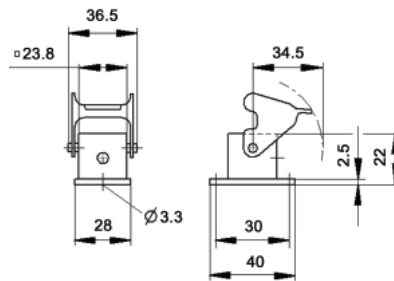
Top Entry Hoods

Material	Size of Entry			Without Cable Gland		With Cable Gland	
	PG	NPT	Metric	NPT	Metric	PG	Metric
Zinc Die Cast	11	1/2"	20	105121NP	-	10426500	19426500
Black Plastic	11	1/2"	20	104255NP	19425500	10426700	-
Grey Plastic	11	1/2"	20	104260NP	19426000	10426400	-

Side Entry Hoods

Material	Size of Entry			Without Cable Gland		With Cable Gland	
	PG	NPT	Metric	NPT	Metric	PG	Metric
Zinc Die Cast	11	1/2"	20	105123NP	-	10427500	19427500
Black Plastic	11	1/2"	20	104273NP	19427300	10620600	-
Grey Plastic	11	1/2"	20	104270NP	19427000	10427100	-

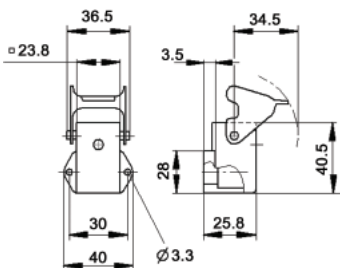
PANEL MOUNT BASES



Gray Metal	Black Plastic	Gray Plastic
10422500	10422200	10422000

All dimensions are in mm.

ANGLED PANEL MOUNT BASES

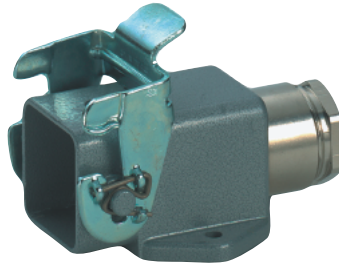
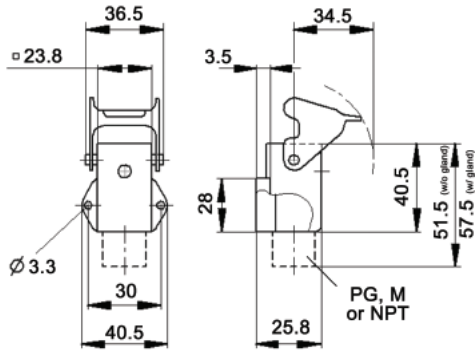


Gray Metal	Black Plastic	Gray Plastic
10423500	10423100	10423000



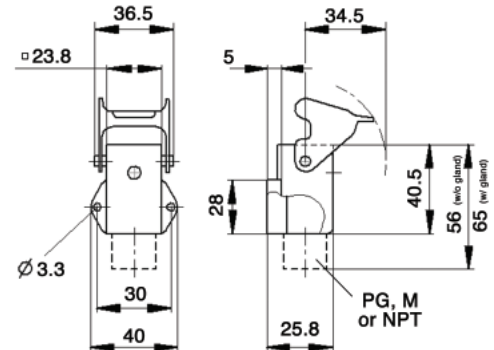
SURFACE MOUNT BASES

METAL



All dimensions are in mm.

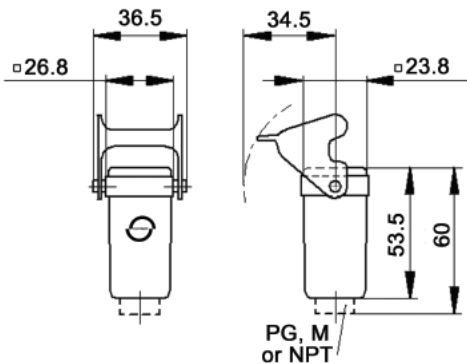
PLASTIC



Material	Size of Entry			Without Cable Gland		With Cable Gland	
	PG	NPT	Metric	NPT	Metric	PG	Metric
Zinc Die Cast	11	1/2"	20	105127NP	-	10424500	19424500
Grey Plastic	11	1/2"	20	104240NP	19424100	10424200	-

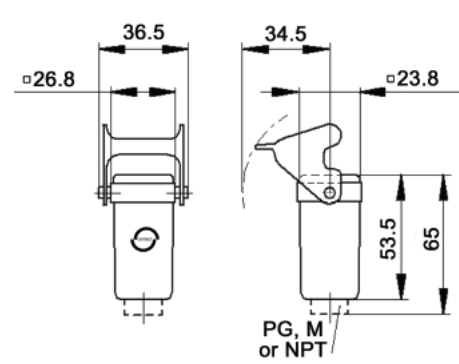
CABLE COUPLER HOODS

METAL



All dimensions are in mm.

PLASTIC



Material	Size of Entry			Without Cable Gland		With Cable Gland	
	PG	NPT	Metric	NPT	Metric	PG	Metric
Zinc Die Cast	11	1/2"	20	105129NP	19512900	10429500	19429500
Black Plastic	11	1/2"	20	104292NP	19429200	10620300	-
Grey Plastic	11	1/2"	20	104290NP	19429000	10429100	-

DUST COVERS WITH OR WITHOUT ATTACHMENT STRING

Material: Thermoplastic Resin

Temperature: -40°C to +125°C



Covers for Panel Mount or Surface Mount Bases/ and Cable Coupler Hoods	Part # with string	Part # without string
Dust Cover for HA 3/4 Housings with Male Insert	10430400	10430000
Metal Dust Cover for HA 3/4 Housings with Male Insert	10513000	10430500
Dust Cover for HA 3/4 Housings with Female Insert (includes gasket)	10430100	10430300
Metal Dust Cover for HA 3/4 Housings with Female Insert (includes gasket)	10513100	-

X-ON Electronics

Largest Supplier of Electrical and Electronic Components

Click to view similar products for [epic manufacturer](#):

Other Similar products are found below :

[44420040 + 73002716](#) [19426500](#) [72004000 + 73018000](#) [13.1623](#) [HBE24-FK-SE-PM-M20](#) [11161000](#) [11.1610](#) [10.4225](#) [9198+00022030](#)
[72004000 + 73002756](#) [72000010](#) [10.5310](#) [10.4264+10.4310](#) [72040010](#) [HA4-FK-TE-SM-M-M20](#) [10.4310](#) [8883+00022030](#)
[10.1270+10.1970+12.9545](#) [10.4220+10.4320](#) [10.4265+10.4235+10.4200+10.4210](#) [10121000+10196000+12954500](#) [10.0720](#) [44420037 +](#)
[73002752](#) [10102000](#) [10.4264](#) [72004000 + 73002716](#) [8990+00022030](#) [44420037 + 73018000](#) [10.1210+10.1960+12.9545](#) [10.4881](#) [10431000](#)
[10.1920](#) [10.0220+10.0030+10.1900+10.1910+12.9544](#) [44420037 + 73028500](#) [10.4861](#) [10.4265+10.4295+10.4200+10.4210](#) [13.1622](#)
[44420037 + 73002716](#) [10.1900](#)