

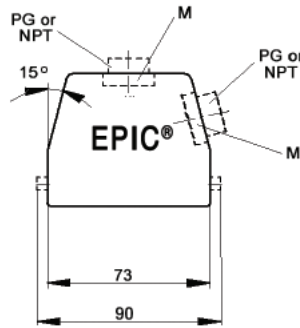
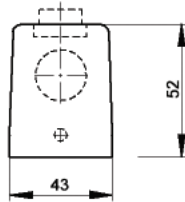
# EPIC® Rectangular Connectors



HBE 10 Housings: Single Lever on Base

## HOODS

### TOP ENTRY



### SIDE ENTRY



All dimensions are in mm.

**Specifications:** DIN 43652  
**Temperature Range:** -40°C to +125°C

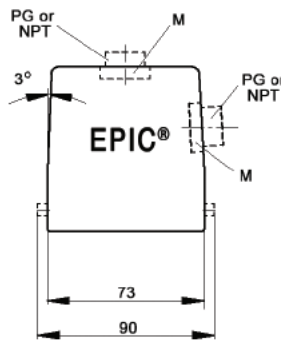
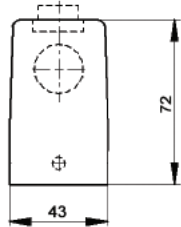
**Protection class:** NEMA 4, NEMA 12, IP65  
**Material:** Aluminum alloy, powder coated

Position of Cable Entry	Size of Entry			Part Numbers			Complete your installation with a SKINTOP®, Pg 352			
	PG	NPT	Metric	PG	NPT	Metric	PG- Nylon	PG- Metal	Metric- Nylon	Metric- Metal
Top Entry	16	1/2"	20	10040900	100409NP	19040900	53015140	52015740	53111020	53112020
	21	3/4"	25	10040700	100407NP	19040700	53015150	52015750	53111030	53112030
Side Entry	16	1/2"	20	10042900	100429NP	19042900	53015140	52015740	53111020	53112020
	21	3/4"	25	10042800	100428NP	19042800	53015150	52015750	53111030	53112030

Top Entry metric hoods do not come with a neck.

## HIGH PROFILE HOODS

### TOP ENTRY



### SIDE ENTRY



All dimensions are in mm.

**Specifications:** DIN 43652  
**Temperature Range:** -40°C to +125°C

**Protection class:** NEMA 4, NEMA 12, IP65  
**Material:** Aluminum alloy, powder coated

Position of Cable Entry	Size of Entry			Part Numbers			Complete your installation with a SKINTOP®, Pg 352			
	PG	NPT	Metric	PG	NPT	Metric	PG- Nylon	PG- Metal	Metric- Nylon	Metric- Metal
Top Entry	21	3/4"	25	70044200	700442NP	79044200	53015150	52015750	53111030	53112030
	29	1"	32	70044400	700444NP	79044400	53015160	52015760	53111040	53112040
Side Entry	21	3/4"	25	70054200	700542NP	79054200	53015150	52015750	53111030	53112030
	29	1"	32	70054400	700544NP	79054400	53015160	52015760	53111040	53112040

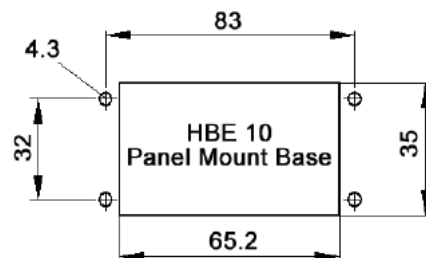
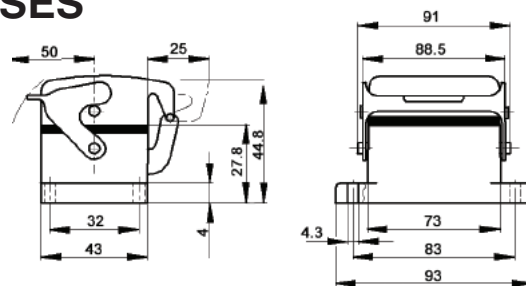
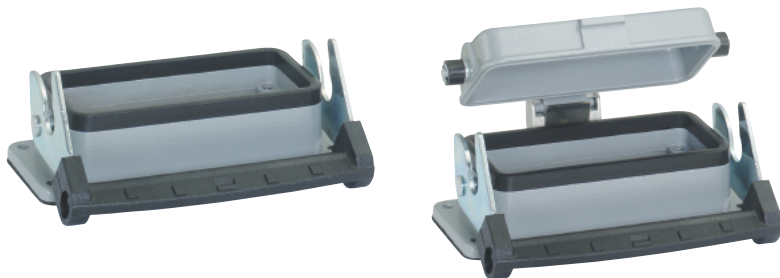
High Profile Metric hoods do not come with a neck.

# EPIC® Rectangular Connectors



## HBE 10 Housings: Single Lever on Base

### PANEL MOUNT BASES

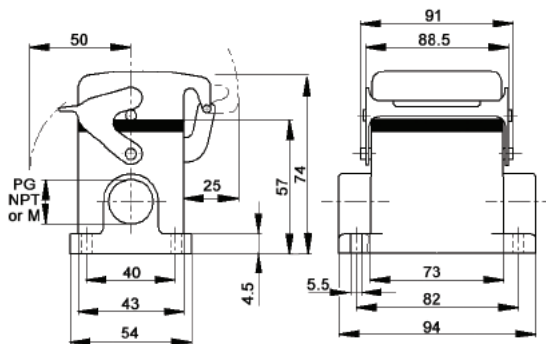
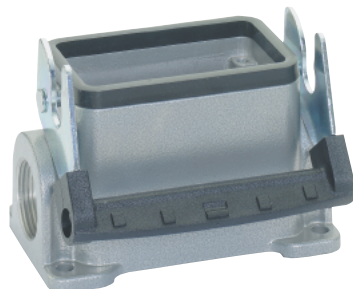


<b>Specifications:</b>	DIN 43652
<b>Temperature Range:</b>	-40°C to +125°C
<b>Protection class:</b>	NEMA 4, NEMA 12, IP65
<b>Material:</b>	Aluminum alloy, powder coated

Description	Part Numbers
Panel Mount without Dust Cover	10032900
Panel Mount with Dust Cover	10033900

All dimensions are in mm.

### SURFACE MOUNT BASES



All dimensions are in mm.



<b>Specifications:</b>	DIN 43652
<b>Temperature Range:</b>	-40°C to +125°C

<b>Protection class:</b>	NEMA 4, NEMA 12, IP65
<b>Material:</b>	Aluminum alloy, powder coated

# of Entries	Size of Entry			Part Numbers			Complete your installation with a SKINTOP®, Pg 352			
	PG	NPT	Metric	PG	NPT	Metric	PG- Nylon	PG- Metal	Metric- Nylon	Metal
<b>2 Entries</b>	16	1/2"	20	10035900	100359NP	19035900	53015140	52015740	53111020	53112020
<b>1 Entry</b>	16	1/2"	20	10034900	100349NP	19034900	53015140	52015740	53111020	53112020
	21	3/4"	25	10034700	100347NP	19034700	53015150	52015750	53111030	53112030
<b>2 Entries w/ dust cover</b>	16	1/2"	20	10038900	100389NP	19038900	53015140	52015740	53111020	53112020
<b>1 Entry with dust cover</b>	16	1/2"	20	10036900	100369NP	19036900	53015140	52015740	53111020	53112020

### DUST COVERS WITH ATTACHMENT STRING



**Material:** Thermoplastic Resin

**Temperature:** -40°C to 125°C

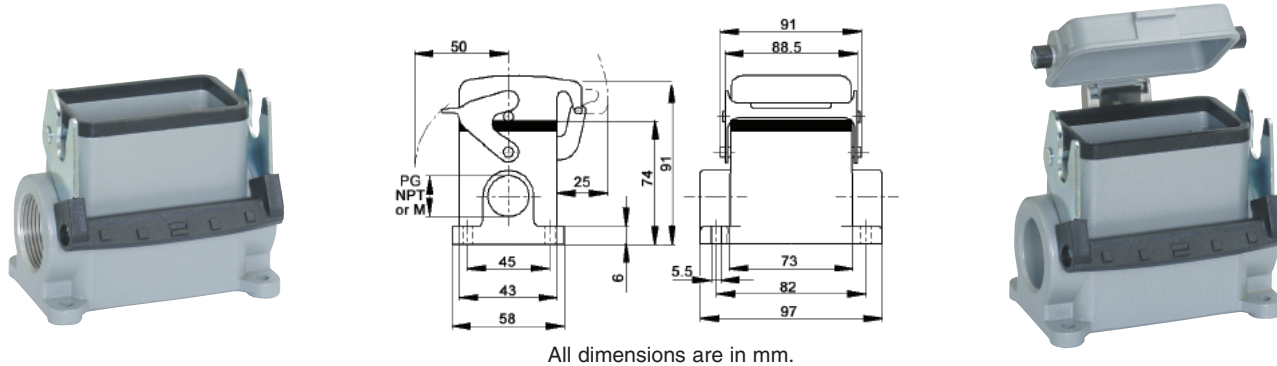
	Part #
Dust cover with single lever for HBE 10 Hoods	10048600
Dust cover with single lever bolts for HBE 10 Panel Mount or Surface Mount Base/ Cable Coupler Hood	10048700

# EPIC® Rectangular Connectors



HBE 10 Housings: Single Lever on Base

## HIGH PROFILE SURFACE MOUNT BASES



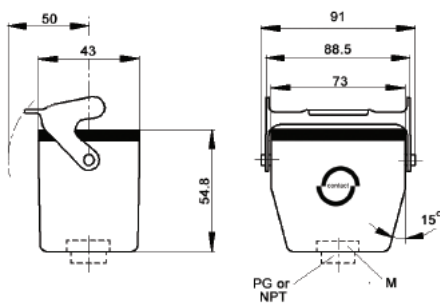
**Specifications:** DIN 43652  
**Temperature Range:** -40°C to +125°C

**Protection class:** NEMA 4, NEMA 12, IP65  
**Material:** Aluminum alloy, powder coated

# of Entries	Size of Entry			Part Numbers			Complete your installation with a SKINTOP®, Pg 352			
	PG	NPT	Metric	PG	NPT	Metric	PG- Nylon	PG- Metric	Metric- Nylon	Metric- Metal
<b>2 Entries</b>	21	3/4"	25	70061200	700612NP	79061200	53015150	52015750	53111030	53112030
	29	1"	32	70061400	700614NP	79061400	53015160	52015760	53111040	53112040
<b>1 Entry</b>	21	3/4"	25	70060200	700602NP	79060200	53015150	52015750	53111030	53112030
	29	1"	32	70060400	700604NP	79060400	53015160	52015760	53111040	53112040
<b>2 Entries with dust cover</b>	21	3/4"	25	70065200	700652NP	79065200	53015150	52015750	53111030	53112030
	29	1"	32	70065400	700654NP	79065400	53015160	52015760	53111040	53112040
<b>1 Entry with dust cover</b>	21	3/4"	25	70064200	700642NP	79064200	53015150	52015750	53111030	53112030
	29	1"	32	70064400	700644NP	79064400	53015160	52015760	53111040	53112040

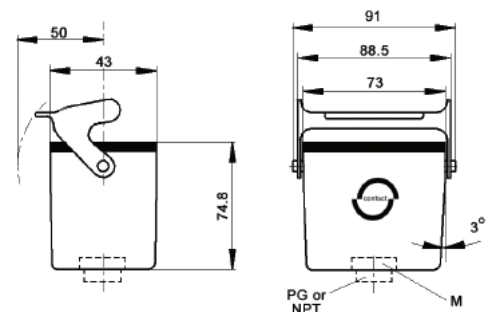
## CABLE COUPLER HOODS

### STANDARD PROFILE



**Specifications:** DIN 43652  
**Temperature Range:** -40°C to +125°C

### HIGH PROFILE



**Protection class:** NEMA 4, NEMA 12, IP65  
**Material:** Aluminum alloy, powder coated

Profile	Size of Entry			Part Numbers			Complete your installation with a SKINTOP®, Pg 352			
	PG	NPT	Metric	PG	NPT	Metric	PG- Nylon	PG- Metal	Metric- Nylon	Metric- Metal
<b>Standard Profile</b>	16	1/2"	20	10046900	100469NP	19046900	53015140	52015740	53111020	53112030
	21	3/4"	25	70042200	700422NP	79042200	53015150	52015750	53111030	53112030
<b>High Profile</b>	21	3/4"	25	70042400	700424NP	79042400	53015150	52015750	53111030	53112030
	29	1"	32	70042600	700426NP	79042600	53015160	52015760	53111040	53112040

Cable coupler metric hoods do not come with a neck.

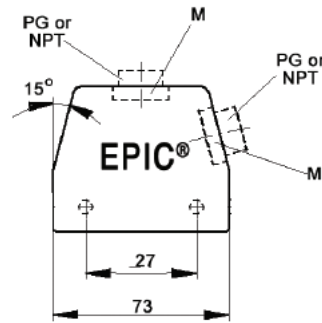
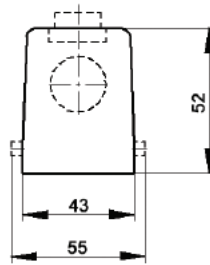
# EPIC® Rectangular Connectors



HBE 10 Housings: Double Levers on Base

## HOODS

### TOP ENTRY



### SIDE ENTRY



All dimensions are in mm.

**Specifications:** DIN 43652  
**Temperature Range:** -40°C to +125°C

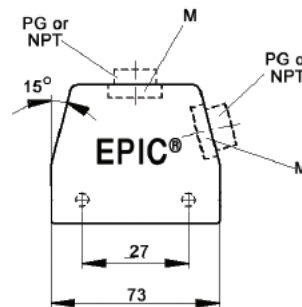
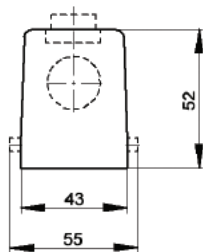
**Protection class:** NEMA 4, NEMA 12, IP65  
**Material:** Aluminum alloy, powder coated

Position of Cable Entry	Size of Entry			Part Numbers			Complete your installation with a SKINTOP®, Pg 352			
	PG	NPT	Metric	PG	NPT	Metric	PG- Nylon	PG- Metal	Metric- Nylon	Metric- Metal
Top Entry	16	1/2"	20	10040000	100400NP	19040000	53015140	52015740	53111020	53112020
	21	3/4"	25	10040100	100401NP	19040100	53015150	52015750	53111030	53112030
Side Entry	16	1/2"	20	10042000	100420NP	19042000	53015140	52015740	53111020	53112020
	21	3/4"	25	10042100	100421NP	19042100	53015150	52015750	53111030	53112030

Top Entry Metric hoods do not come with a neck.

## HIGH PROFILE HOODS

### TOP ENTRY



### SIDE ENTRY



All dimensions are in mm.

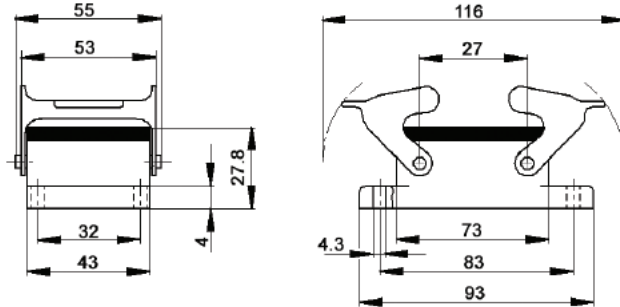
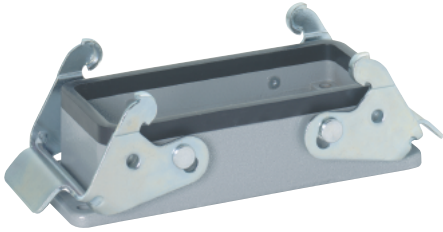
**Specifications:** DIN 43652  
**Temperature Range:** -40°C to +125°C

**Protection class:** NEMA 4, NEMA 12, IP65  
**Material:** Aluminum alloy, powder coated

Position of Cable Entry	Size of Entry			Part Numbers			Complete your installation with a SKINTOP®, Pg 352			
	PG	NPT	Metric	PG	NPT	Metric	PG- Nylon	PG- Metal	Metric- Nylon	Metric- Metal
Top Entry	21	3/4"	25	70050400	700504NP	79050400	53015150	52015750	53111030	53112030
	29	1"	32	70050600	700506NP	79050600	53015160	52015760	53111040	53112040
Side Entry	21	3/4"	25	70052400	700524NP	79052400	53015150	52015750	53111030	53112030
	29	1"	32	70052600	700526NP	79052600	53015160	52015760	53111040	53112040

High Profile Metric hoods do not come with a neck.

### PANEL MOUNT BASES

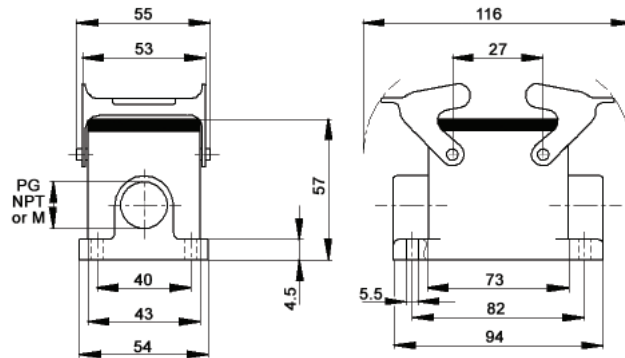
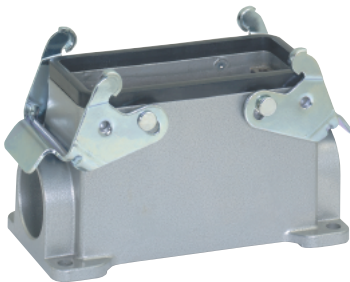


All dimensions are in mm.

**Specifications:** DIN 43652  
**Temperature Range:** -40°C to +125°C  
**Protection class:** NEMA 4, NEMA 12, IP65  
**Material:** Aluminum alloy, powder coated

Description	Part Numbers
Panel Mount without Dust Cover	100320C0

### SURFACE MOUNT BASES

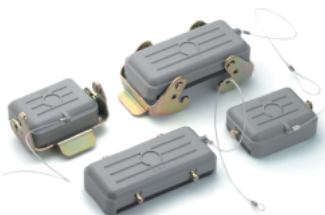


All dimensions are in mm.

**Specifications:** DIN 43652  
**Temperature Range:** -40°C to +125°C  
**Protection class:** NEMA 4, NEMA 12, IP65  
**Material:** Aluminum alloy, powder coated

# of Entries	Size of Entry			Part Numbers			Complete your installation with a SKINTOP®, Pg 352			
	PG	NPT	Metric	PG	NPT	Metric	PG- Nylon	PG- Metal	Metric- Nylon	Metric- Metal
2 Entries without cover	16	1/2"	20	100350C0	100350NP	19035000	53015140	52015740	53111020	53112020
	-	-	25	-	-	19035100	-	-	53111030	53112030
1 Entry without dust cover	16	1/2"	20	100340C0	100340NP	19034000	53015140	52015740	53111020	53112020
	-	-	25	-	-	19034100	-	-	53111030	53112030

### DUST COVERS WITH ATTACHMENT STRING



**Material:** Thermoplastic Resin      **Temperature:** -40°C to +125°C

Description	Part #
Dust cover with double levers and gasket for HBE 10 Hoods	10048500
Dust cover with double lever bolts for HBE 10 Panel Mount or Surface Mount Base/ Cable Coupler Hood	10047000
Dust cover with double lever bolts and gasket for HBE 10 Hoods	10047100

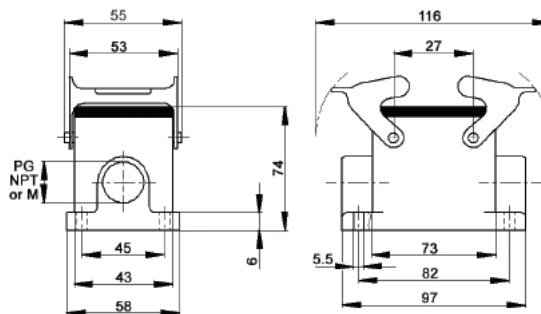
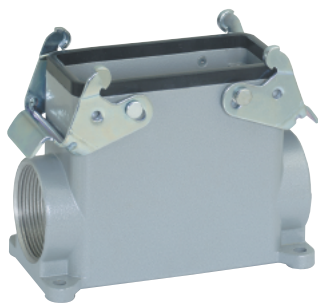


# EPIC® Rectangular Connectors



HBE 10 Housings: Double Levers on Base

## HIGH PROFILE SURFACE MOUNT BASES



All dimensions are in mm.

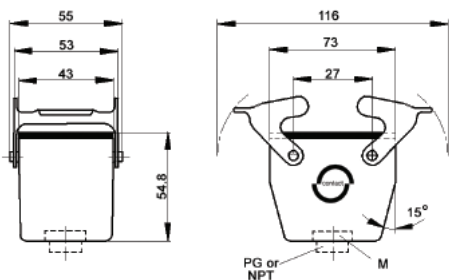
**Specifications:** DIN 43652  
**Temperature Range:** -40°C to +125°C

**Protection class:** NEMA 4, NEMA 12, IP65  
**Material:** Aluminum alloy, powder coated

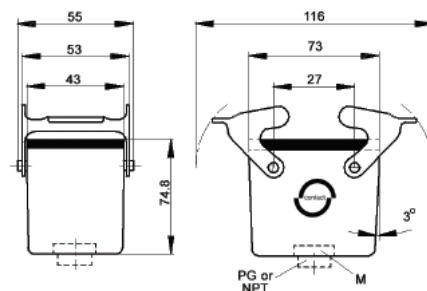
# of Entries	Size of Entry			Part Numbers			Complete your installation with a SKINTOP®, Pg 352			
	PG	NPT	Metric	PG	NPT	Metric	PG- Nylon	PG- Metal	Metric- Nylon	Metric- Metal
2 Entries without cover	21	3/4"	25	70036200	700362NP	79036200	53015150	52015750	53111030	53112030
	29	1"	32	70036400	700364NP	79036400	53015160	52015760	53111040	53112040
1 Entry without dust cover	21	3/4"	25	70035200	700352NP	79035200	53015150	52015750	53111030	53112030
	29	1"	32	70035400	700354NP	79035400	53015160	52015760	53111040	53112040

## CABLE COUPLER HOODS

### STANDARD PROFILE



### HIGH PROFILE



All dimensions are in mm.

**Specifications:** DIN 43652  
**Temperature Range:** -40°C to +125°C

**Protection class:** NEMA 4, NEMA 12, IP65  
**Material:** Aluminum alloy, powder coated

Profile	Size of Entry			Part Numbers			Complete your installation with a SKINTOP®, Pg 352			
	PG	NPT	Metric	PG	NPT	Metric	PG- Nylon	PG- Metal	Metric- Nylon	Metric- Metal
Standard Profile	16	1/2"	20	100460C0	100460NP	19046000	53015140	52015740	53111020	53112030
	21	3/4"	25	70040200	700402NP	79040200	53015150	52015750	53111030	53112030
High Profile	21	3/4"	25	70040400	700404NP	79040400	53015150	52015750	53111030	53112030
	29	1"	32	70040600	700406NP	79040600	53015160	52015760	53111040	53112040

Metric hoods do not come with a neck.

## X-ON Electronics

Largest Supplier of Electrical and Electronic Components

*Click to view similar products for [epic manufacturer](#):*

Other Similar products are found below :

[44420040 + 73002716](#) [19426500](#) [72004000 + 73018000](#) [13.1623](#) [HBE24-FK-SE-PM-M20](#) [11161000](#) [11.1610](#) [10.4225](#) [9198+00022030](#)  
[72004000 + 73002756](#) [72000010](#) [10.5310](#) [10.4264+10.4310](#) [72040010](#) [HA4-FK-TE-SM-M-M20](#) [10.4310](#) [8883+00022030](#)  
[10.1270+10.1970+12.9545](#) [10.4220+10.4320](#) [10.4265+10.4235+10.4200+10.4210](#) [10121000+10196000+12954500](#) [10.0720](#) [44420037 +](#)  
[73002752](#) [10102000](#) [10.4264](#) [72004000 + 73002716](#) [8990+00022030](#) [44420037 + 73018000](#) [10.1210+10.1960+12.9545](#) [10.4881](#) [10431000](#)  
[10.1920](#) [10.0220+10.0030+10.1900+10.1910+12.9544](#) [44420037 + 73028500](#) [10.4861](#) [10.4265+10.4295+10.4200+10.4210](#) [13.1622](#)  
[44420037 + 73002716](#) [10.1900](#)