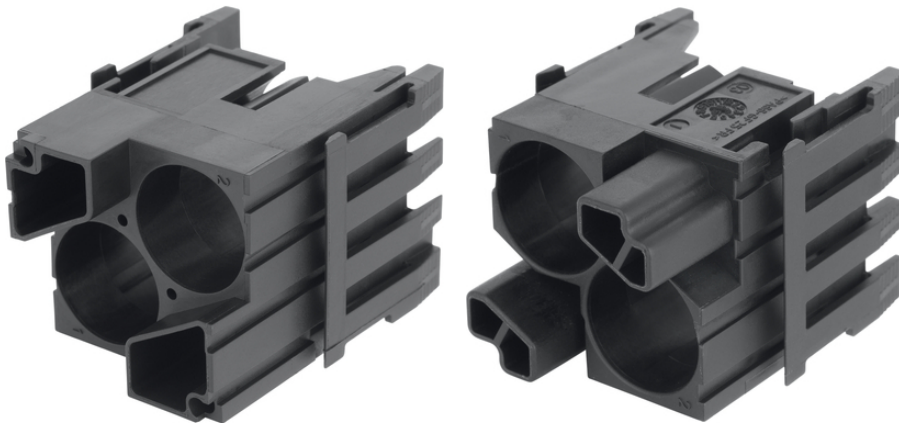


EPIC® MH BUS

High flexibility by the use of any combination of inserts in one connector

Info

Stamped gold plated contacts with 0.8mm diameter for D-Sub inserts
Shielded modul for data and signal transmission



Wind Energy



Rail



Mechanical and plant engineering



Automation & fältinstallation

Benefits

Shielded modul for data and signal transmission

EPIC® MH system is mateable with the market standard

Crimp connection for permanent vibration proof contact

The mix of different functions in one plug guarantees high flexibility

Railway applications

- Fire protection on railway vehicles: Test according EN 45545-2. Requirement sets R22 and R23. Hazard level HL1, HL2 and HL4

EPIC® MH BUS

Application range

Mechanical engineering
Robotics industry
Plant engineering
Renewable energy
Railway applications / vehicle construction

Technical Data

Classification:	ETIM 5.0 Class-ID: EC002641 ETIM 5.0 Class-Description: Modular connector (industrial connector)
Rated voltage (V):	50
Rated impulse voltage:	0,8 kV
Rated current (A):	10
Pollution degree:	3
Flammability:	UL94 V-0
Termination methods:	Crimp termination: 0.14 - 2.5 mm ²
Material:	PA
Cycle of mechanical operation:	500
Certifications:	UL-tested: UL File Number: E75770
Temperature range:	-40°C +125°C

Note

Photographs are not to scale and do not represent detailed images of the respective products.
Prices are net prices without VAT and surcharges. Sale to business customers only.

Article number	Article description	Contact type	Number of operating contacts
EPIC® MH BUS			
44423228	EPIC® MHS Bus	male	2
44423230	EPIC® MHB Bus	female	2

Last Update (21.10.2017)
 ©2017 Lapp Group - Technical changes reserved
 Product Management www.lappkabel.de
 You can find the current technical data in the corresponding data sheet.
 PN 0456 / 02_03.16

X-ON Electronics

Largest Supplier of Electrical and Electronic Components

Click to view similar products for [epic manufacturer](#):

Other Similar products are found below :

[44420040 + 73002716](#) [19426500](#) [72004000 + 73018000](#) [13.1623](#) [11161000](#) [11.1610](#) [9198+00022030](#) [72004000 + 73002756](#) [72000010](#)
[10.5310](#) [10.4264+10.4310](#) [72040010](#) [HA4-FK-TE-SM-M-M20](#) [10.4310](#) [10.1270+10.1970+12.9545](#) [10.4220+10.4320](#)
[10.4265+10.4235+10.4200+10.4210](#) [10121000+10196000+12954500](#) [10.0720](#) [44420037 + 73002752](#) [10102000](#) [10.4264](#) [8990+00022030](#)
[72004000 + 73002716](#) [10.4861](#) [44420037 + 73018000](#) [10.1210+10.1960+12.9545](#) [10.4881](#) [10.0220+10.0030+10.1900+10.1910+12.9544](#)
[10431000](#) [10.1920](#) [44420037 + 73028500](#) [13.1622](#) [44420037 + 73002716](#) [10.1900](#)