



LAPP LIMITED

LAPP LIMITED
46-50 Standard Road
LONDON
NW10 6EF
Tel: (020) 8963 7000
Fax: (020) 8965 2780

Formerly Oskar Lapp Ltd and Contact Connectors Ltd

Email: sales@lappcable.com
Website: www.lappcable.com

Registered in England No. 1497180.
Registered Office: 146 New Cavendish Street,
London W1M 7FG



EPIC[®] MIL-C

MIL-C-50 15

CM 1 SERIES

BAYONET FIT

Registered in England
No. 1497180. Registered Office:
146 New Cavendish Street,
London W1M 7FG

A Lapp Group Company
Lapp Insulator is not affiliated with
Lapp Limited or the Lapp Group



Contents

Page	2	General description
	3	Technical characteristics
	4-5	Contacts dimensions
	6	Contact arrangement
	22	Connectors assembly
	24	Connector shell styles
	86	Accessories
	102	How to order
	104	Notes

General description

The CM1 connector series derives from the MIL-C-5015 standard, but is different because of its bayonet coupling, which reduces the coupling time and makes the coupling easier when the connector is in an awkward position. Another advantage of the CM1 connector series is the notable resistance to vibrations, because of the three stainless steel wear pins located near the end of the bayonet track of the receptacle. The CM1 series guarantees reliability because of its strength even in the most variable environments, such as road and rail transport in general, including the underground, on army tanks, communication and radar apparatus, in the naval field, industrial automation, cinema and television lighting systems and many other applications. With the appropriate accessories, these connectors may be immersed for a number of hours up to a depth of ten meters.

This series uses the same inserts as the MIL - C - 5015 and the VG 95234 and is interchangeable with the last. The contacts used can be solder, crimp, PCB type, gold or silver plated. Thermocouple contacts are also available.

Depending on the usage conditions, the following specifications may be supplied:

- 1) connectors and parts in either stainless steel or covered in rubber,
- 2) flame resistant rubber inserts without halogens,
- 3) alternative cadmium surface treatments,
- 4) special contacts.

The CM1 connector series helps resolve technical problems derived from the application of the EEC directives relative to machines, low tension plants and electromagnetic compatibility.

Please contact our sales department for your needs.



Technical characteristics

Metal parts

Aluminium alloy with Cadmium free surface coatings with an olive drab passivation .

Contacts

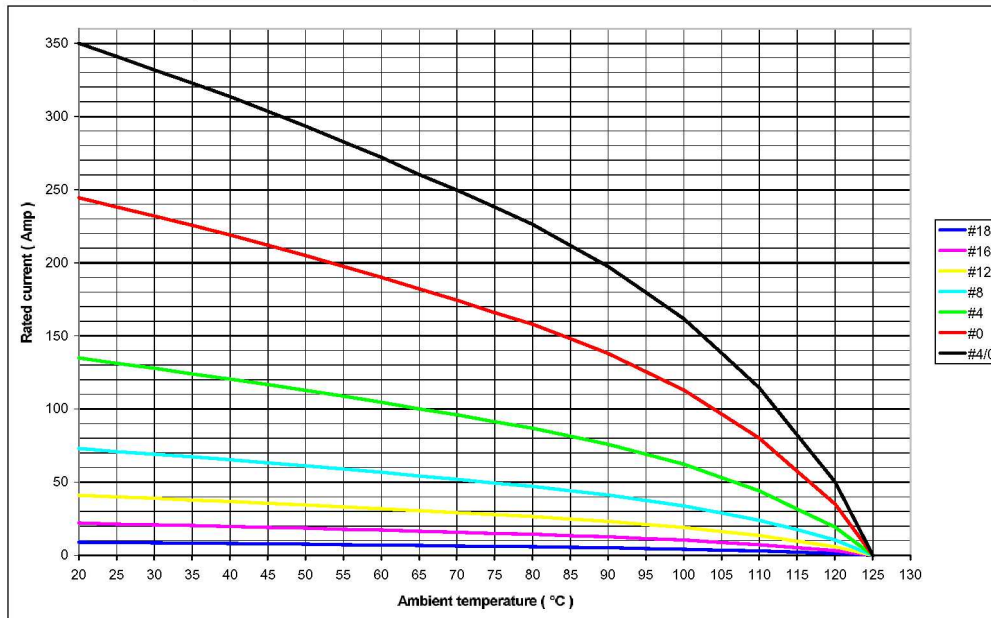
The following contact types are available :
copper alloy with silver plating (Std) or gold plating (available on request).

Insulating parts

High insulation synthetic rubber resistant to oils and high range of temperatures (-55°C to +125°C) in accordance with MIL-R-3065. Are also available in fire resistant and halogen free materials.

Contacts

Contact size	Rated current at 20°C	Max. Contact resist.	Wire size
18	7.5 A	12.0 mΩ	20+26 AWG
16	22 A	6.0 mΩ	16+22 AWG
12	41 A	3.0 mΩ	12-14 AWG
8	73 A	1.0 mΩ	8-10 AWG
4	135 A	0.5 mΩ	4-6 AWG
0	245 A	0.3 mΩ	0+2 AWG
4/0	350 A	0.2 mΩ	4/0 AWG

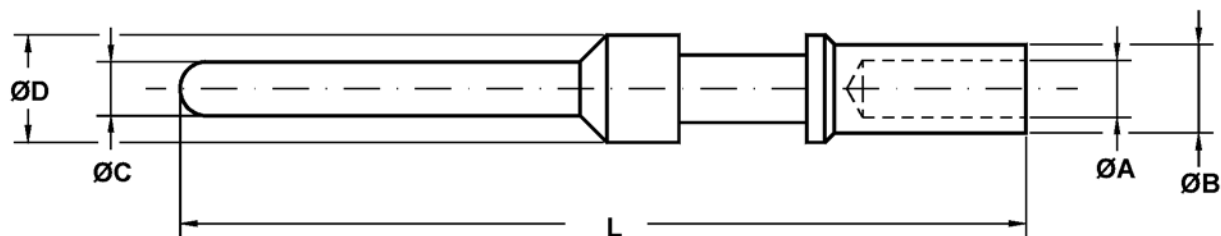


Service rating (Min insulating resistance : $\geq 5 \times 10^3 \text{ M}\Omega$)

Class	Operating voltage Vdc	Operating voltage VacRMS	Test voltage Vac RMS
INST.	250 V	200 V	1000 V
A	700 V	500 V	2000 V
D	1250 V	900 V	2800 V
E	1750 V	1250 V	3500 V
B	2450 V	1750 V	4500 V
C	4200 V	3000 V	7000 V



Pin contacts

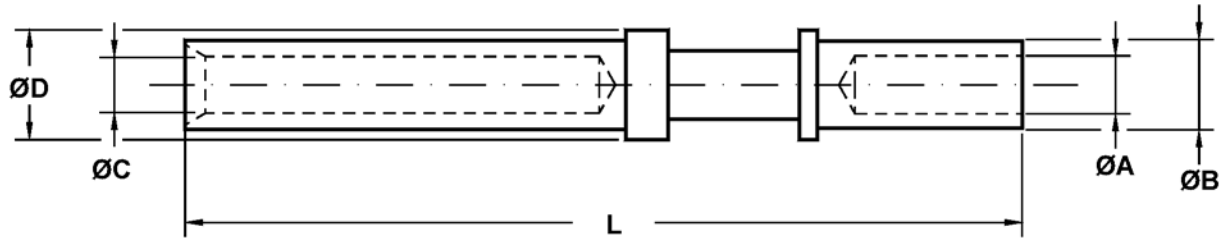


Contact P/N	Size	mm ²	AWG	A +0 -0.1	B +0 -0.1	C ±0.02	D +0 -0.1	L ±0.1
CM - 40579	18	0.15 / 0.6	26 / 20	1.30	1.93	1.40	2.2	29.60
CM - 40553	16S	1 / 1.5	18 / 16	1.70	2.60	1.58	3.2	26.65
CM - 40553 - 12	16S	0.6	20	1.20	2.60	1.58	3.2	26.65
CM - 40553 - 13	16S	0.15 / 0.6	26 / 20	1.30	1.93	1.58	3.2	26.65
CM - 40553 - 15	16S	1	18	1.50	2.60	1.58	3.2	26.65
CM - 40553 - 20	16S	2	14	2.00	2.90	1.58	3.2	26.65
CM - 40553 - 26	16S	3	12	2.50	3.80	1.58	3.2	26.65
CM - 40557	16	1 / 1.5	18 / 16	1.70	2.60	1.58	3.2	31.75
CM - 40557 - 08	16	0.15 / 0.2	26 / 24	0.85	1.55	1.58	3.2	31.75
CM - 40557 - 12	16	0.6	20	1.20	2.60	1.58	3.2	31.75
CM - 40557 - 13	16	0.15 / 0.6	26 / 20	1.30	1.93	1.58	3.2	31.75
CM - 40557 - 15	16	1	18	1.50	2.60	1.58	3.2	31.75
CM - 40557 - 20	16	2	14	2.00	2.90	1.58	3.2	31.75
CM - 40557 - 26	16	3	12	2.50	3.80	1.58	3.2	31.75
CM - 40557 - 32	16		32 / 28	0.45	1.95	1.58	3.2	31.75
CM - 40561	12	3	12	2.50	3.90	2.38	4.8	37.65
CM - 40561 - 12	12	0.6	20	1.20	2.60	2.38	4.8	37.65
CM - 40561 - 15	12	1	18	1.50	3.40	2.38	4.8	37.65
CM - 40561 - 20	12	1 / 2	18 / 14	2.00	3.80	2.38	4.8	37.65
CM - 40561 - 22	12	2.5		2.20	3.80	2.38	4.8	37.65
CM - 40561 - 30	12	4		3.00	4.80	2.38	4.8	37.65
CM - 40561 - 30M	12	4		3.30	4.20	2.38	4.8	37.65
CM - 40561 - 38	12	6		3.60	4.80	2.38	4.8	37.65
CM - 40792	8	6 / 8	8	4.50	6.90	3.59	7.8	42.00
CM - 40792 - 50	8	10		5.00	6.90	3.59	7.8	42.00
CM - 113474 - 4P	4	22	4	7.15	9.53	5.70	11.0	42.00
CM - 113474 - 1P	0	50 / 60	0	11.50	14.30	9.05	15.1	45.00
CM - 113474 - 0P	4/0	107	4/0	16.50	20.00	12.69	20.0	63.00

Please consult our sales department for other contacts or crimp tooling details .



Socket contacts



Contact P/N	Size	mm ²	AWG	A +0.1 -0	B +0 -0.1	C +0.05 -0	D +0 -0.1	L ±0.1
CM - 40588	18	0.15 / 0.6	26 / 20	1.30	1.93	1.48	2.2	34.40
CM - 40552	16S	1 / 1.5	18 / 16	1.70	2.60	1.65	3.2	26.65
CM - 40552 - 12	16S	0.6	20	1.20	2.60	1.65	3.2	26.65
CM - 40552 - 13	16S	0.15 / 0.6	26 / 20	1.30	1.93	1.65	3.2	26.65
CM - 40552 - 15	16S	1	18	1.50	2.60	1.65	3.2	26.65
CM - 40552 - 20	16S	2	14	2.00	2.90	1.65	3.2	26.65
CM - 40552 - 26	16S	3	12	2.50	3.80	1.65	3.2	26.65
CM - 40556	16	1 / 1.5	18 / 16	1.70	2.60	1.65	3.2	36.50
CM - 40556 - 08	16	0.15 / 0.2	26 / 24	0.85	1.55	1.65	3.2	36.50
CM - 40556 - 12	16	0.6	20	1.20	2.60	1.65	3.2	36.50
CM - 40556 - 13	16	0.15 / 0.6	26 / 20	1.30	1.93	1.65	3.2	36.50
CM - 40556 - 15	16	1	18	1.50	2.60	1.65	3.2	36.50
CM - 40556 - 20	16	2	14	2.00	2.90	1.65	3.2	36.50
CM - 40556 - 26	16	3	12	2.50	3.80	1.65	3.2	36.50
CM - 40556 - 32	16		32 / 28	0.45	1.95	1.65	3.2	36.50
CM - 40560	12	3	12	2.50	3.90	2.48	4.8	37.65
CM - 40560 - 12	12	0.6	20	1.20	2.60	2.48	4.8	37.65
CM - 40560 - 15	12	1	18	1.50	3.40	2.48	4.8	37.65
CM - 40560 - 20	12	1 / 2	18 / 14	2.00	3.80	2.48	4.8	37.65
CM - 40560 - 22	12	2.5		2.20	3.80	2.48	4.8	37.65
CM - 40560 - 30	12	4		3.00	4.80	2.48	4.8	37.65
CM - 40560 - 30M	12	4		3.30	4.20	2.48	4.8	37.65
CM - 40560 - 38	12	6		3.60	4.80	2.48	4.8	37.65
CM - 40793	8	6 / 8	8	4.50	6.90	3.73	7.8	42.00
CM - 40793 - 50	8	10		5.00	6.90	3.73	7.8	42.00
CM - 113474 - 4S	4	22	4	7.15	9.53	5.84	11.0	42.00
CM - 113474 - 1S	0	50 / 60	0	11.50	14.30	9.20	15.1	45.00
CM - 113474 - 0S	4/0	107	4/0	16.50	20.00	12.70	20.0	65.50

Please consult our sales department for other contacts or crimp tooling details .

Contact arrangement

Arrang.	Rating	Contact size						
		4/0	0	4	8	12	16	18
10SL - 3	A						3	
- 4	A						2	
12S - 3	A						2	
12 - 5	A					1		
14S - 1	A						3	
- 2	I						4	
- 4	D						1	
- 5	I						5	
- 6	I						6	
- 7	A						3	
- 9	A						2	
14 - 07	I						7	
16S - 1	A						7	
- 3	B						1	
- 4	D						2	
- 5	A						3	
- 6	A						3	
- 8	A						5	
16 - 2	E					1		
- 7	A			1			2	
- 9	A					2	2	
- 10	A					3		
- 11	A					2		
- 12	A			1				
- A10	I							10
18 - 1	I							10
- 3	D					2		
- 4	D						4	
- 5	D					2	1	
- 6	D			1				
- 06	A					4	2	
- 7	B			1				
- 8	A					1	7	
- 9	I					2	5	
- 10	A					4		
- 11	A					5		
- 12	A						6	
- 13	A				1	3		
- 14	A			1			1	
- 16	C					1		
- 19	A							10
- 20	A						5	
- 22	D						3	
- 29	A						5	
20 - 2	D		1					
- 3	D					3		
- 4	D					4		
- 6	D						3	
- 7	A						8	
- 8	I				2		4	
- 9	A					1	7	
- 11	I							13
- 12	A			1			1	
- 14	A				2	3		
- 15	A					7		
- 16	A					2	7	
- 17	A					5	1	

Arrang.	Rating	Contact size						
		4/0	0	4	8	12	16	18
20 - 18	A						3	6
- 19	A					3		
- 20	A			1		3		
- 21	A					1	8	
- 22	A					3		3
- 23	A					2		
- 24	A					2		2
- 27	A							14
- 29	A							17
- 33	A							11
- A9	I						9	
- A48	I							19
22 - 1	D					2		
- 2	D					3		
- 4	A					2	2	
- 5	D						2	4
- 6	D					2		1
- 7	E		1					
- 8	E						2	
- 9	E						3	
- 10	E							4
- 11	B							2
- 12	D					2		3
- 13	D						4	1
- 14	A							19
- 15	A						5	1
- 16	A						3	6
- 17	A						1	8
- 18	A							8
- 19	A							14
- 20	A							9
- 21	A			1				2
- 22	A					4		
- 23	A						8	
- 24	A						2	4
- 27	A					1		8
- 28	A						7	
- 33	A							7
- 34	D						3	2
- 82	A					2		8
- A10	A							10
- A37	A							37
24 - 2	D						7	
- 3	A						2	5
- 4	A			1				3
- 5	A							16
- 06	D					4		2
- 6	A						8	
- 07	D						7	
- 7	A						2	14
- 9	A				2			
- 10	A					7		
- 11	A					3	6	
- 12	A				2		3	
- 013	A						6	7
- 16	A					1	3	3
- 17	D						2	3

Contact arrangement

Arrang.	Rating	Contact size						
		4/0	0	4	8	12	16	18
24 - 19	A						12	
- 20	D					2	9	
- 21	D				1		9	
- 22	D				4			
- 27	E						7	
- 28	I						24	
- 67	A					19		
- A1	B		1					
- A25	A						25	
- A28	I						28	
28 - 1	A				3	6		
- 2	D					2	12	
- 3	E				3			
- 4	D					2	7	
- 5	D			2		1	2	
- 6	D			3				
- 7	D			2				
- 8	A					2	10	
- 09	A			4			5	
- 9	D					6	6	
- 10	A			2	2	3		
- 11	A					4	18	
- 12	A						26	
- 15	A						35	
- 16	A						20	
- 17	A						15	
- 18	I						12	
- 19	A					4	6	
- 20	A					10	4	
- 21	A						37	
- 22	D			3			3	
- 70	A				7			
- 124	A				4		12	
- A31	A				6			25
- A35	A						35	
- A63	I					9	19	
- B1	B		1					
32 - 1	D		2			3		
- 2	E			3			2	
- 3	D		1	2		2	4	
- 4	I					2	12	
- 5	D		2					
- 6	A			2	3	2	16	
- 7	I					7	28	
- 8	A					6	24	
- 9	D			2			12	
- 10	A			2	2		3	
- 12	A					5	10	
- 013	D					13		
- 13	D					5	18	
- 15	D		2			6		
- 17	D			4				
- 22	A						54	
- 31	A						31	
- 59	A				2		40	
- 68	A			4			12	
- 689	A			3			6	

Arrang.	Rating	Contact size						
		4/0	0	4	8	12	16	18
32 - 79	D			4	1			
- 88	A						54	
- A1	A	1						
- A3	E			3				
- A25	A					25		
- A27	A					10	17	
- A30	A					10	20	
- A48	I						48	
- B22	A			2			20	
36 - 01	C	1						
- 1	D					4	18	
- 3	D		3			3		
- 4	A		3					
- 5	A		4					
- 6	A		2	4				
- 7	A					7	40	
- 8	A					1	46	
- 9	A			1	2	14	14	
- 10	A						48	
- 13	A					2	15	
- 14	D				5	5	6	
- 15	A						35	
- 20	A				2	2	30	
- 22	D					22		
- 35	A				4		32	
- 74	A				1		43	
- A51	D		3	2			1	
- A72	I					4	16	52
- B78	D				12		2	
- D78	D				10		4	
40 - 1	D					6	24	
- 9	A				1	22	24	
- 10	A			4	9		16	
- 26	A				7	19		
- 31	D					31		
- 35	D					35		
- 47	A				1	22	24	
- 53	A						60	
- 56	A						85	
- 62	A						60	
- 63	A						61	
- 67	A			10			1	
- 150	I							150
- 951	A					25	26	
- A3	A		3			2		
- A4	A		4			2		
- A5	A		3	1		1		
- A6	B					6		
- A10	D			4			4	
- A38	A					38		
- A51	A				15		16	
- A56	A						85	
- A62	A				2		60	
- A65	A						65	
- B4	E		4					
- B19	A				19			

Alternate positions

Arrang.	degrees $\alpha \pm 2^\circ$			
	W	X	Y	Z
12S - 3	70	145	215	290
14S - 1	90	180	270	
- 2		120	240	
- 5		110		
- 6	90			
- 7	90	180	270	
- 9	70	145	215	290
16S - 1	80			280
- 4	35	110	250	325
- 5	70	145	215	290
- 6	90	180	270	
- 8		170	265	
- 7	80	110	250	280
- 9	35	110	250	325
- 10	90	180	270	
- 11	35	110	250	325
- A10	35	112	235	315
18 - 1	70	145	215	290
- 3	35	110	250	325
- 4	35	110	250	325
- 5	80	110	250	280
- 06		180		
- 8	70			290
- 9	80	110	250	280
- 10		120	240	
- 11		170	265	
- 12	80			280
- 13	80	110	250	280
- 14	80	110	250	280
- 19		120	240	
- 20	90	180	270	
- 22	70	145	215	290
- 29	90	180	270	
20 - 3	70	145	215	290
- 4	45	110	250	
- 6	70	145	215	290
- 7	80	110	250	280
- 8	80	110	250	280
- 9	80	110	250	280
- 12	80	110	250	280
- 14	80	110	250	280
- 15	80			280
- 16	80	110	250	280
- 17	90	180	270	
- 18	35	110	250	325
- 19	90	180	270	
- 20	80	110	250	280
- 21	35	110	250	325
- 22	80	110	250	280
- 23	35	110	250	325
- 24	35	110	250	325
- 27	35	110	250	325
- 29	80			280
- 33				280
- A9		110	250	

Arrang.	degrees $\alpha \pm 2^\circ$			
	W	X	Y	Z
20 - A48		80	280	
22 - 1	35	110	250	325
- 2	70	145	215	290
- 4	35	110	250	325
- 5	35	110	250	325
- 6	80	110	250	280
- 8	35	110	250	325
- 9	70	145	215	290
- 10	35	110	250	325
- 11	35	110	250	325
- 12	80	110	250	280
- 13	35	110	250	325
- 14	80	110	250	280
- 15	80	110	250	280
- 16	80	110	250	280
- 17	80	110	250	280
- 18	80	110	250	280
- 19	80	110	250	280
- 20	35	110	250	325
- 21	80	110	250	280
- 22		110	250	
- 23	35		250	
- 24	80	110	250	280
- 27	80		250	280
- 28	80			280
- 33	80	110	250	280
- 34	80	110	250	280
- A10		120	240	
- A37	80	112	250	280
24 - 2	80			280
- 3	80	110	250	280
- 4	80	110	250	280
- 5	80	110	250	280
- 6	80	110	250	280
- 07	80			280
- 7	80	110	250	280
- 9	35	110	250	325
- 10	80			280
- 11	35	110	250	325
- 12	80	110	250	280
-16	80	110	250	280
- 17	80	110	250	280
- 20	80	110	250	280
- 21	80	110	250	280
- 22	45	110	250	
- 27	80			280
- 28	80	110	250	280
- 67	80			335
- A25	80	110	250	280
- A28	65	146	235	
28 - 1	80	110	250	280
- 2	35	110	250	325
- 3	70	145	215	290
- 4	80	110	250	280
- 5	35	110	250	325

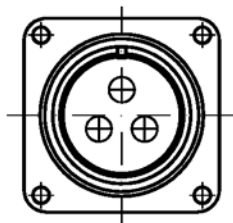
Alternate positions

Arrang.	degrees $\alpha \pm 2^\circ$			
	W	X	Y	Z
28 - 6	70	145	215	290
- 7	35	110	250	325
- 8	80	110	250	280
- 9	80	110	250	280
- 10	80	110	250	280
- 11	80	110	250	280
- 12	90	180	270	
- 15	80	110	250	280
- 16	80	110	250	280
- 17	80	110	250	280
- 18	70	145	215	290
- 19	80	110	250	280
- 20	80	110	250	280
- 21	80	110	250	280
- 22	70	145	215	290
- A35	80	110	250	280
- A63		100	260	
32 - 1	80	110	250	280
- 2	70	145	215	290
- 3	80	110	250	280
- 4	80	110	250	280
- 5	35	110	250	325
- 6	80	110	250	280
- 7	80	125	235	280
- 8	80	125	235	280
- 9	80	110	250	280
- 10	80	110	250	280
- 12	80	110	250	280
- 013	65	130	230	295
- 13	80	110	250	280
- 15	35	110	250	280
- 17	45	110	250	
- 22	80	110	250	280
-59	36	108	252	324
- 68	65	135	225	275
- 88	80	110	250	280
- A3	22	44		
- A25	60	120		

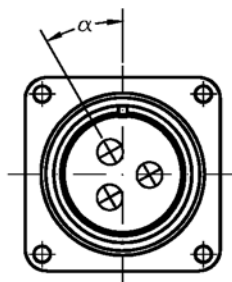
Arrang.	degrees $\alpha \pm 2^\circ$			
	W	X	Y	Z
32 - A27	30	115	285	335
- A48	80			
- B22	35	110	250	325
36 - 1	80	110	250	280
- 3	70	145	215	290
- 4	70	145	215	290
- 5		120	240	
- 6	35	110	250	325
- 7	80	110	250	280
- 8	80	110	250	280
- 9	80	125	235	280
- 10	80	125	235	280
- 13	80	110	250	280
- 14	90	180	270	
- 15	60	125	245	305
- 22	80	110	250	280
- A51	45	135	225	315
- A72		110		
40 - 1	65	130	235	300
- 9	65	125	225	310
- 10	65	125	225	310
- 26	80	110	250	280
- 31	80	110	250	280
- 35	70	130	230	290
- 47	65	125	225	310
- 53	80	110	250	280
- 56	72	144	216	288
- 62	30	130	220	290
- 63	80			280
- A3	70	145	215	290
- A4	50	120	240	325
- A5	33			270
- A38	37	74	285	322
- A56	72	144	216	288
- A62	80	130	230	280
- A65	70	145	215	285
- B4	45	110		
- B19	35	105	255	325

Insert rotation (front view)

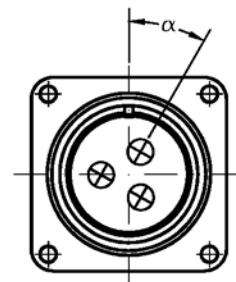
Normal position



Alternate position with socket contacts



Alternate position with pin contacts



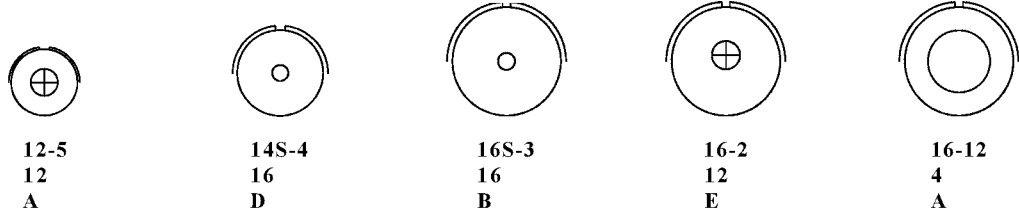


Contact arrangement

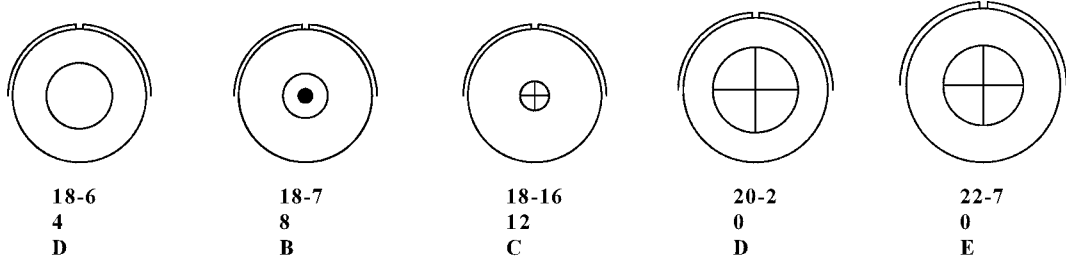
Front view of male insert

1 CONTACT

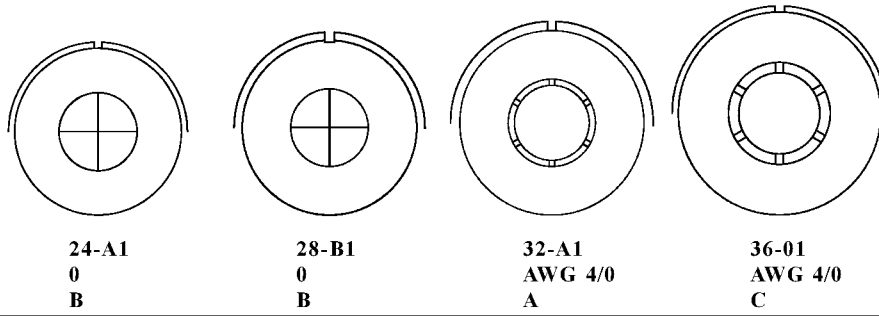
ARRANGEMENT
CONTACT SIZE
SERVICE RATING



ARRANGEMENT
CONTACT SIZE
SERVICE RATING

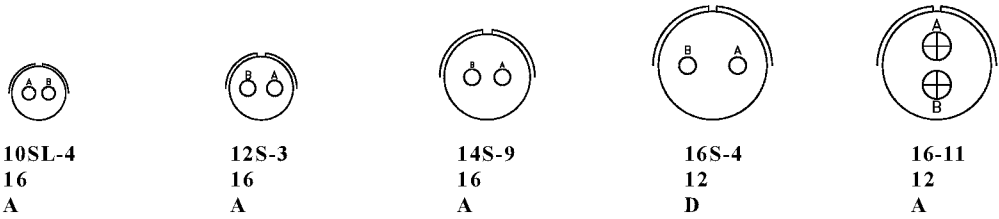


ARRANGEMENT
CONTACT SIZE
SERVICE RATING

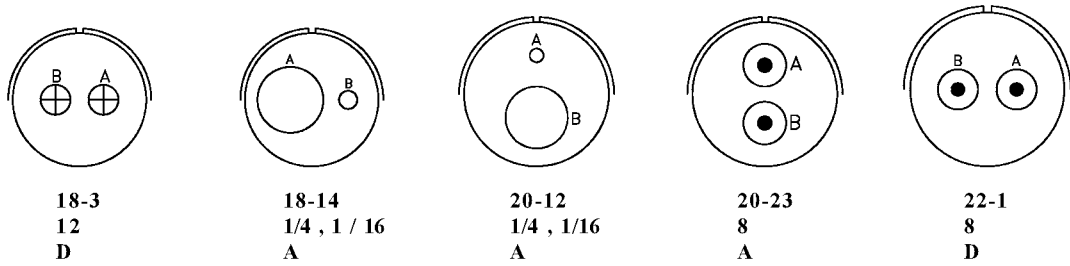


2 CONTACTS

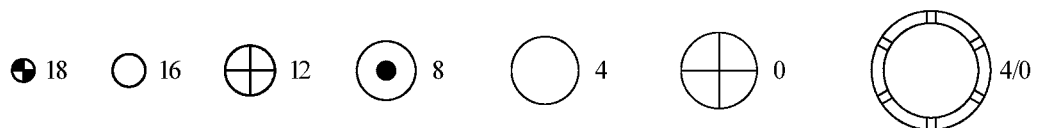
ARRANGEMENT
CONTACT SIZE
SERVICE RATING



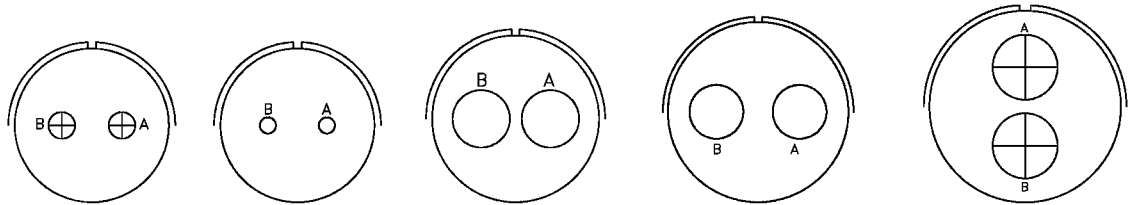
ARRANGEMENT
CONTACT SIZE
SERVICE RATING



CONTACT LEGEND

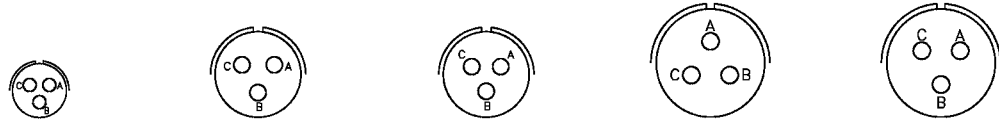


Contact arrangement

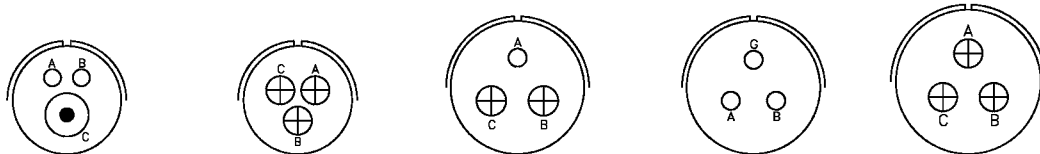


ARRANGEMENT	22-8	22-11	24-9	28-7	32-5
CONTACT SIZE	12	16	4	4	0
SERVICE RATING	E	B	A	D	D

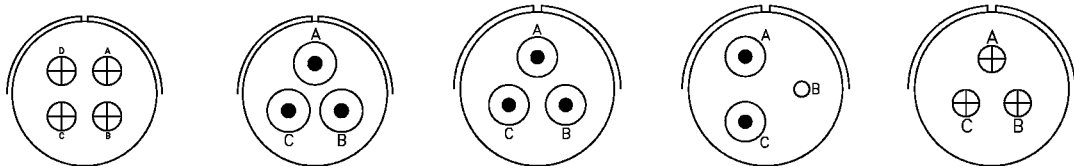
3 CONTACTS



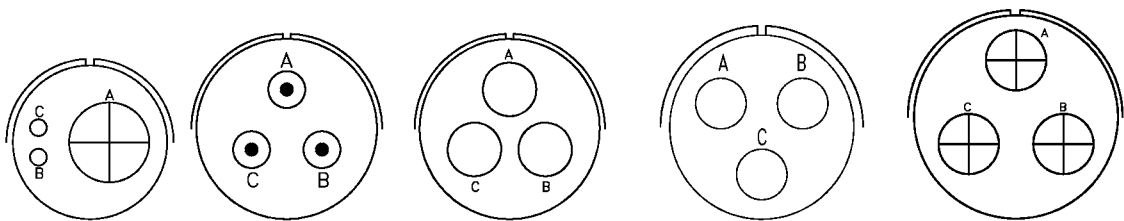
ARRANGEMENT	10SL-3	14S-1	14S-7	16S-5	16S-6
CONTACT SIZE	16	16	16	16	16
SERVICE RATING	A	A	A	A	A



ARRANGEMENT	16-7	16-10	18-5	18-22	20-3
CONTACT SIZE	1/8 , 2/16	12	2/12 , 1/16	16	12
SERVICE RATING	A	A	D	D	D

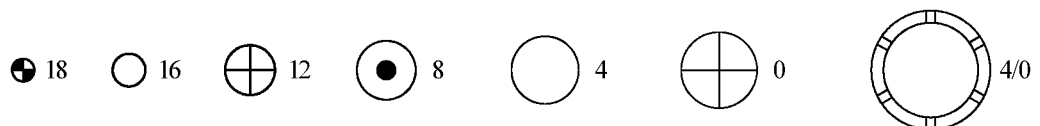


ARRANGEMENT	20-6	20-19	22-2	22-6	22-9
CONTACT SIZE	16	8	8	2/8 , 1 / 16	12
SERVICE RATING	D	A	D	D	E



ARRANGEMENT	22-21	28-3	28-6	32-A3	36-4
CONTACT SIZE	1/0 , 2/16	8	4	4	0
SERVICE RATING	A	E	D	E	A=D ; B,C=A

CONTACT LEGEND

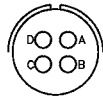




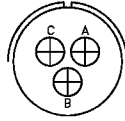
Contact arrangement

4 CONTACTS

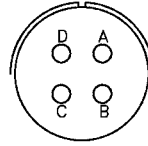
ARRANGEMENT
CONTACT SIZE
SERVICE RATING



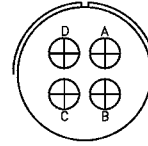
14S-2
16
I



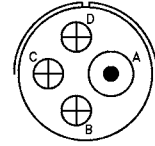
16-9
2/12, 2/16
A



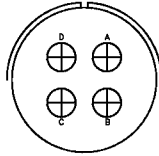
18-4
16
D



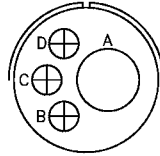
18-10
12
A



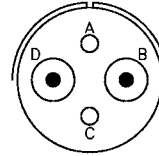
18-13
1/8, 3/12
A



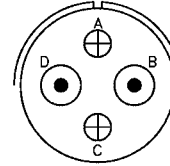
20-4
12
D



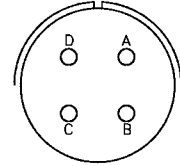
20-20
1/4, 3/12
A



20-24
2/8, 2/16
A

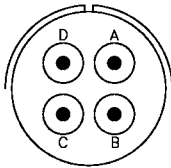


22-4
2/8, 2/12
A

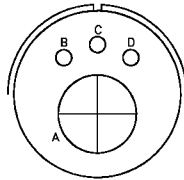


22-10
16
E

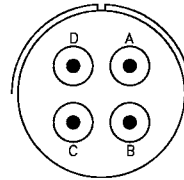
ARRANGEMENT
CONTACT SIZE
SERVICE RATING



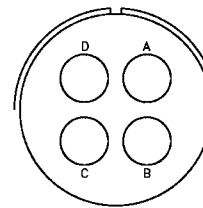
22-22
8
A



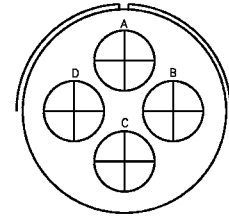
24-4
1/0, 3/16
A



24-22
8
D

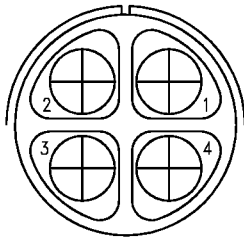


32-17
4
D



36-5
0
A

ARRANGEMENT
CONTACT SIZE
SERVICE RATING

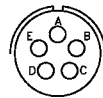


ARRANGEMENT
CONTACT SIZE
SERVICE RATING

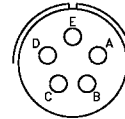
40-B4
0
E

5 CONTACTS

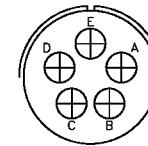
ARRANGEMENT
CONTACT SIZE
SERVICE RATING



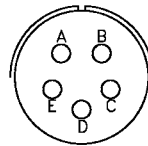
14S-5
16
I



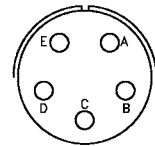
16S-8
16
A



18-11
12
A

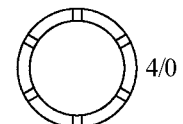
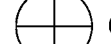


18-20
16
A



18-29
16
A

CONTACT LEGEND



Contact arrangement

ARRANGEMENT	20-14	22-12	22-13	22-34	24-12
CONTACT SIZE	2/8 , 3/12	2/8 , 3/16	4/12 , 1/16	3/12 , 2/16	2/4 , 3/12
SERVICE RATING	A	D	D	D	A
ARRANGEMENT	24-17	28-5	32-1	32-2	32-79
CONTACT SIZE	2/12 , 3/16	2/4 , 1/12 , 2/16	2/0 , 3/12	3/4 , 2/16	4/4 , 1/8
SERVICE RATING	D	D	A=E ; B,C,D,E=D	E	D
ARRANGEMENT	40-A3	40-A5			
CONTACT SIZE	1/0M , 2/0 , 2/12	3/0 , 1/4 , 1/12			
SERVICE RATING	A	A			

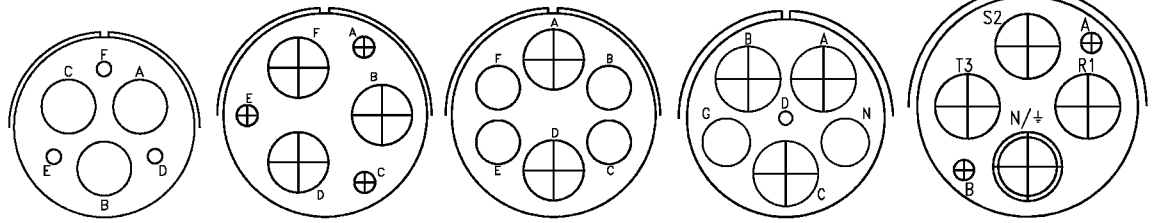
6 CONTACTS

ARRANGEMENT	14S-6	18-06	18-12	20-8	20-17
CONTACT SIZE	16	4/12 , 2/16	16	2/8 , 4/16	5/12 , 1/16
SERVICE RATING	I	A	A	I	A
ARRANGEMENT	20-22	22-5	22-15	22-24	24-06
CONTACT SIZE	3/8 , 3/16	2/12 , 4/16	5/12 , 1/16	2/12 , 4/16	4/8 , 2/16
SERVICE RATING	A	D	D=E ; A,B,C,E,F=A	A,B,F=A ; C,D,E=D	D

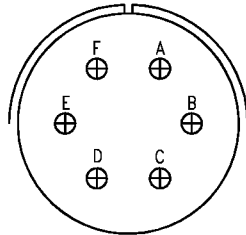
CONTACT LEGEND

	18		16		12		8		4		0		4/0
--	----	--	----	--	----	--	---	--	---	--	---	--	-----

Contact arrangement

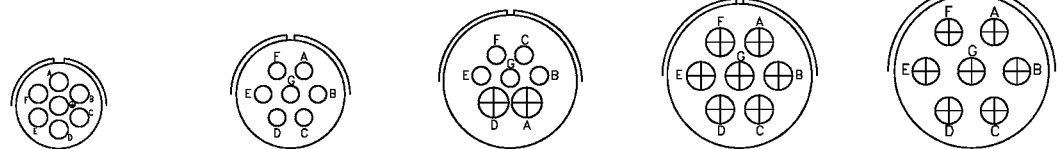


ARRANGEMENT	28-22	36-3	36-6	36-A51	40-A4
CONTACT SIZE	3/4 , 3/16	3/0 , 3/12	2/0 , 4/4	3/0 , 2/4 , 1/16	1/0M , 3/0 , 2/12
SERVICE RATING	D	D	A	D	A

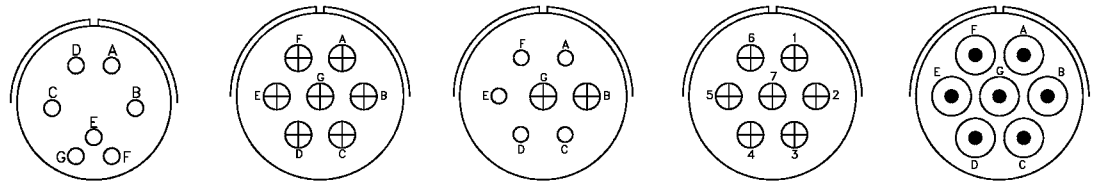


ARRANGEMENT 40-A6
CONTACT SIZE 16
SERVICE RATING B

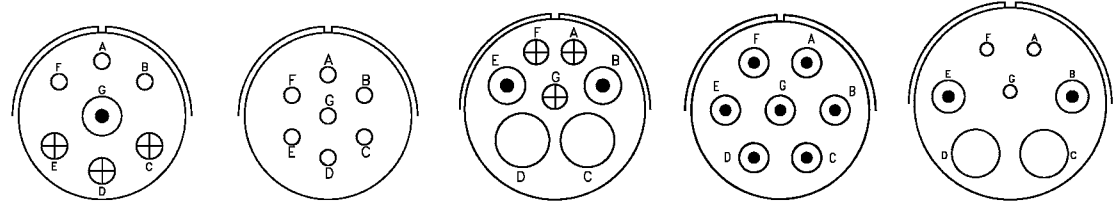
7 CONTACTS



ARRANGEMENT	14-07	16S-1	18-9	20-15	22-28
CONTACT SIZE	16	16	2/12 , 5/16	12	12
SERVICE RATING	I	A	I	A	A

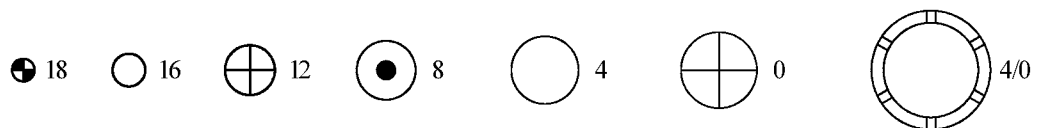


ARRANGEMENT	22-33	24-2	24-3	24-07	24-10
CONTACT SIZE	16	12	2/12 , 5/16	12	8
SERVICE RATING	A,B,C,D=D ; E,F,G=A	D	A	D	A



ARRANGEMENT	24-16	24-27	28-10	28-70	32-10
CONTACT SIZE	1/8 , 3/12 , 3/16	16	2/4 , 2/8 , 3/12	8	2/4 , 2/8 , 3/16
SERVICE RATING	A,B,F,G=D ; C,D,E=A	E	G=D ; Bal=A	A	A,F=E ; B,E=D ; C,D=A ; G=B

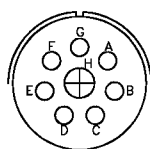
CONTACT LEGEND



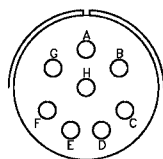
Contact arrangement

8 CONTACTS

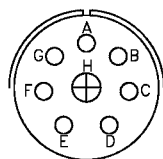
ARRANGEMENT
CONTACT SIZE
SERVICE RATING



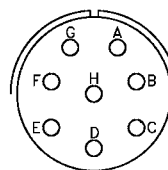
18-8
1/12 , 7/16
A



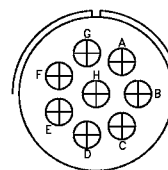
20-7
16
A,B,H,G=D ;
C,D,E,F=A



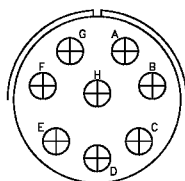
20-9
1/12 , 7/16
H=D ; Bal=A



22-18
16
A,B,F,G,H=D ;
C,D,E=A

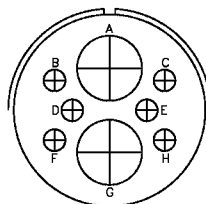


22-23
12
H=D ; Bal=A

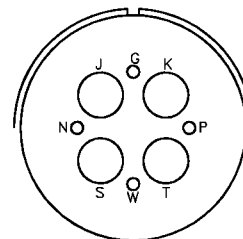


ARRANGEMENT
CONTACT SIZE
SERVICE RATING

24-6
12
A,G,H,=D ; Bal=A



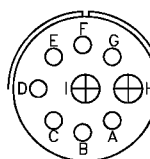
32-15
2/0 , 6/12
D



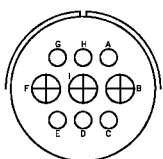
40-A10
4/4 , 4/16
D

9 CONTACTS

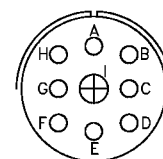
ARRANGEMENT
CONTACT SIZE
SERVICE RATING



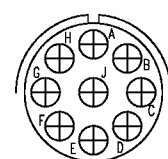
20-16
2/12 , 7/16
A



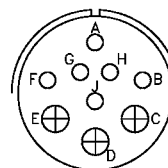
20-18
3/12 , 6/16
A



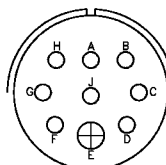
20-21
1/12 , 8/16
A



20-A9
12
J=D ; Bal=I

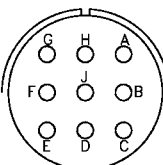


22-16
3/12 , 6/16
A

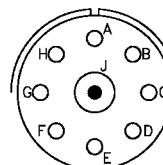


ARRANGEMENT
CONTACT SIZE
SERVICE RATING

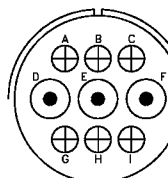
22-17
1/12 , 8/16
A=D ; Bal=A



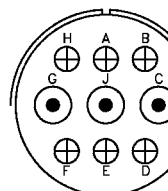
22-20
16
A



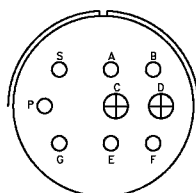
22-27
1/8 , 8/16
J=D ; Bal=A



24-11
3/8 , 6/12
A

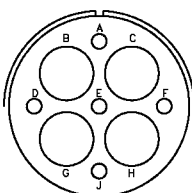


28-1
3/8 , 6/12
A,J,E=D ; Bal=A

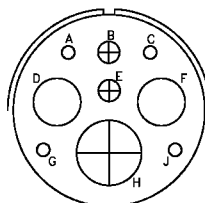


ARRANGEMENT
CONTACT SIZE
SERVICE RATING

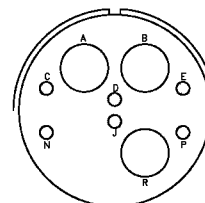
28-4
2/12 , 7/16
G,P,S=E ; Bal=D



28-09
4/4 , 5/16
A



32-3
1/0 , 2/4 , 2/12 , 4/16
D



32-689
3/4 , 6/16
A

CONTACT LEGEND



18



16



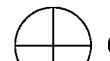
12



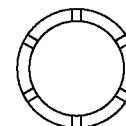
8



4



0

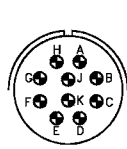


4/0

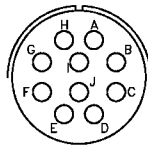
Contact arrangement

10 CONTACTS

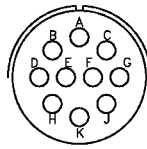
ARRANGEMENT
CONTACT SIZE
SERVICE RATING



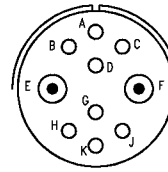
16-A10
18
I



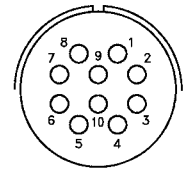
18-1
16
B,C,F,G=A ;
Bal=I



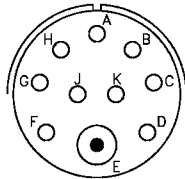
18-19
16
A



22-82
8/16 , 2/8
A

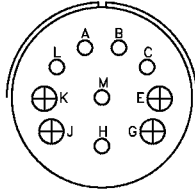


22-A10
16
A



ARRANGEMENT
CONTACT SIZE
SERVICE RATING

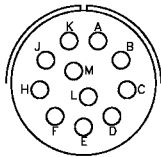
24-21
1/8 , 9/16
D



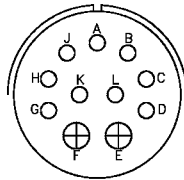
28-19
4/12 , 6/16
A,B=D ; K,M=B ; Bal=A

11 CONTACTS

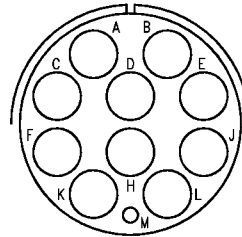
ARRANGEMENT
CONTACT SIZE
SERVICE RATING



20-33
16
A



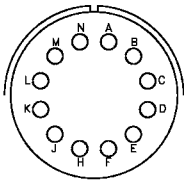
24-20
2/12 , 9/16
D



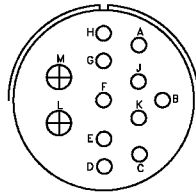
40-67
10/4 , 1/16
A

12 CONTACTS

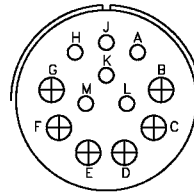
ARRANGEMENT
CONTACT SIZE
SERVICE RATING



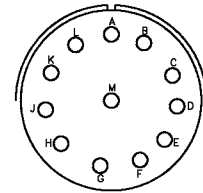
24-19
16
A



28-8
2/12 , 10/16
B=D ; L,M=E ; Bal=A



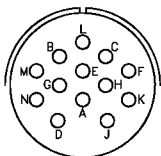
28-9
6/12 , 6/16
D



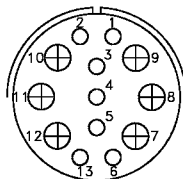
28-18
16
A,B=A ; G,H,J,K,L=D ;
M=C ; Bal=I

13 CONTACTS

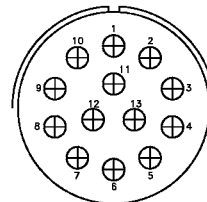
ARRANGEMENT
CONTACT SIZE
SERVICE RATING



20-11
16
I



24-013
6/12 , 7/16
A



32-013
12
D

CONTACT LEGEND

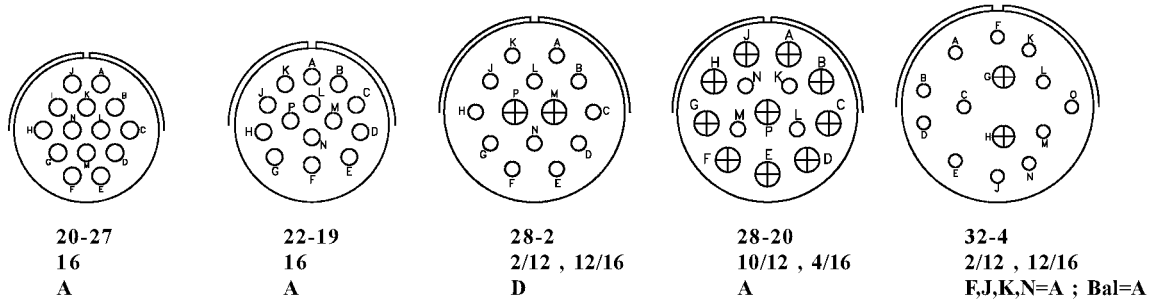




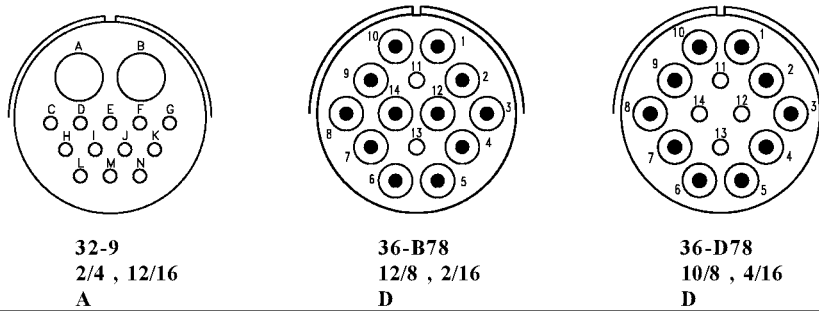
Contact arrangement

14 CONTACTS

ARRANGEMENT
CONTACT SIZE
SERVICE RATING

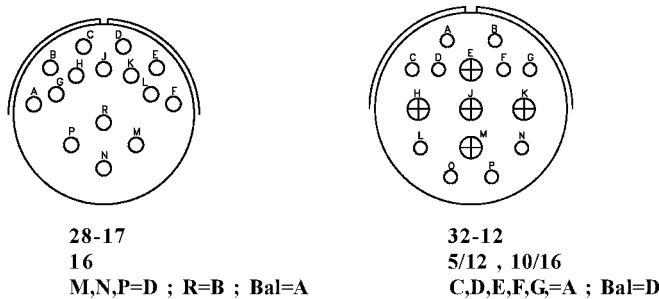


ARRANGEMENT
CONTACT SIZE
SERVICE RATING



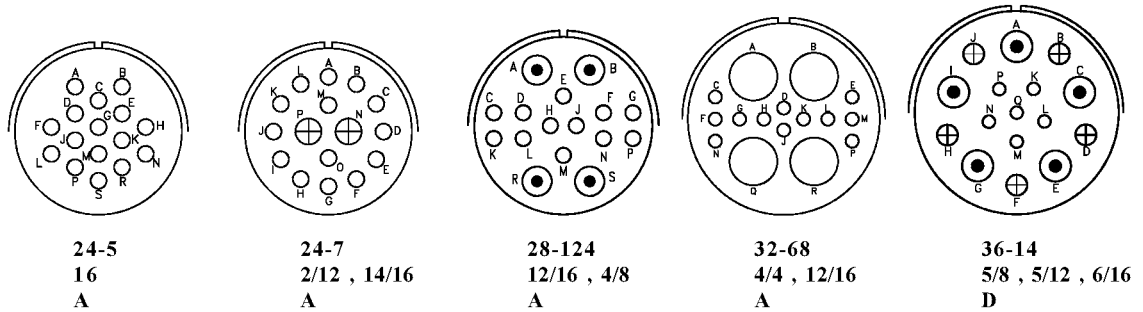
15 CONTACTS

ARRANGEMENT
CONTACT SIZE
SERVICE RATING



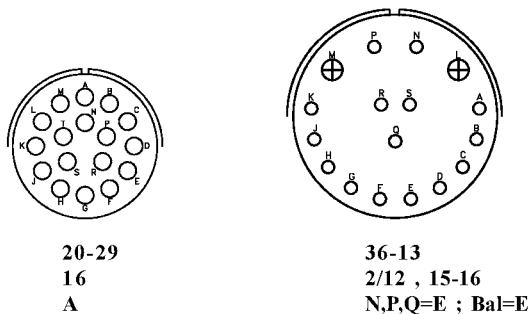
16 CONTACTS

ARRANGEMENT
CONTACT SIZE
SERVICE RATING

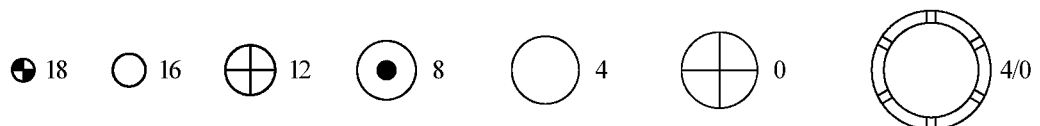


17 CONTACTS

ARRANGEMENT
CONTACT SIZE
SERVICE RATING

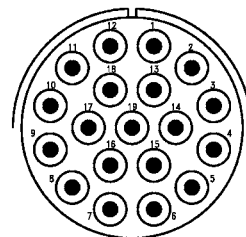
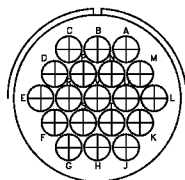
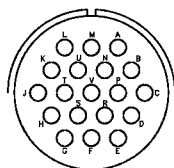
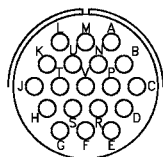


CONTACT LEGEND



Contact arrangement

19 CONTACTS



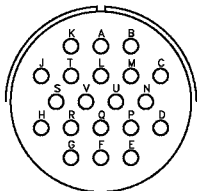
ARRANGEMENT 20-A48
CONTACT SIZE 16
SERVICE RATING I

ARRANGEMENT 22-14
CONTACT SIZE 16
SERVICE RATING A

ARRANGEMENT 24-67
CONTACT SIZE 12
SERVICE RATING A

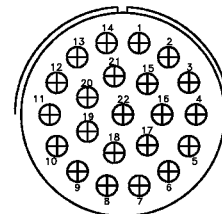
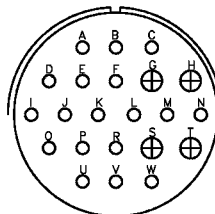
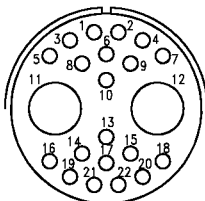
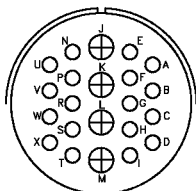
ARRANGEMENT 40-B19
CONTACT SIZE 8
SERVICE RATING A

20 CONTACTS



ARRANGEMENT 28-16
CONTACT SIZE 16
SERVICE RATING A

22 CONTACTS



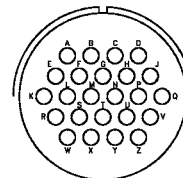
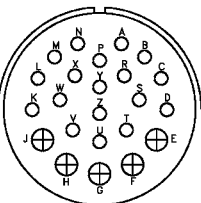
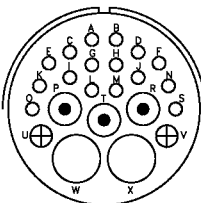
ARRANGEMENT 28-11
CONTACT SIZE 4/12, 18/16
SERVICE RATING A

ARRANGEMENT 32-B22
CONTACT SIZE 2/4, 20/16
SERVICE RATING A

ARRANGEMENT 36-1
CONTACT SIZE 4/12, 18/16
SERVICE RATING D

ARRANGEMENT 36-22
CONTACT SIZE 12
SERVICE RATING D

23 CONTACTS



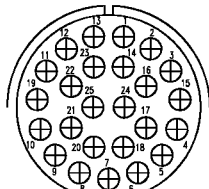
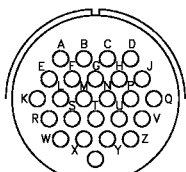
ARRANGEMENT 32-6
CONTACT SIZE 2/4, 3/8, 2/12, 16/16
SERVICE RATING A

ARRANGEMENT 32-13
CONTACT SIZE 5/12, 18/16
SERVICE RATING D

24 CONTACTS

ARRANGEMENT 24-28
CONTACT SIZE 16
SERVICE RATING I

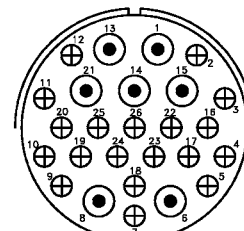
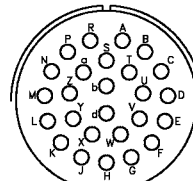
25 CONTACTS



ARRANGEMENT 24-A25
CONTACT SIZE 16
SERVICE RATING A

ARRANGEMENT 32-A25
CONTACT SIZE 12
SERVICE RATING A

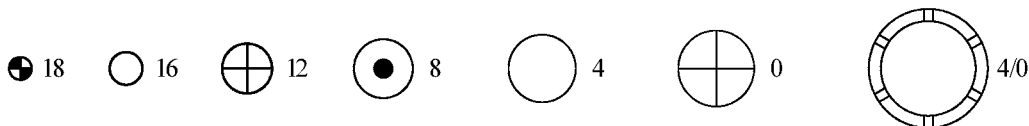
26 CONTACTS



ARRANGEMENT 28-12
CONTACT SIZE 16
SERVICE RATING A

ARRANGEMENT 40-26
CONTACT SIZE 7/8, 19/12
SERVICE RATING A

CONTACT LEGEND



Contact arrangement

27 CONTACTS

ARRANGEMENT 32-A27
CONTACT SIZE 10/12 , 17/16
SERVICE RATING A

28 CONTACTS

24-A28 28-A63
16 9/12 , 19/16
I I

29 CONTACTS

ARRANGEMENT 40-10
CONTACT SIZE 4/4 , 9/8 , 16/16
SERVICE RATING A

30 CONTACTS

32-8 32-A30 40-1
6/12 , 24/16 10/12 , 20/16 6/12 , 20/16
A A D

31 CONTACTS

ARRANGEMENT 28-A31
CONTACT SIZE 6/8 , 25/18
SERVICE RATING A

32 CONTACTS

32-31 36-9 40-31
1/4 , 2/8 , 14/12 , 14/16 12 15/8 , 16/16
A A D

33 CONTACTS

ARRANGEMENT 40-A51
CONTACT SIZE 15/8 , 16/16
SERVICE RATING A

34 CONTACTS

36-20
2/8 , 2/12 , 30/16
A

35 CONTACTS

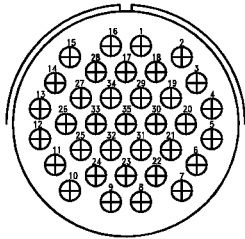
ARRANGEMENT 28-15
CONTACT SIZE 16
SERVICE RATING A

36 CONTACTS

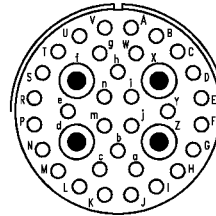
28-A35 32-7 36-15
16 7/12 , 28/16 16
A A A,B,h,j=I ; Bal=A M=D ; Bal=A

CONTACT LEGEND

18 16 12 8 4 0 4/0

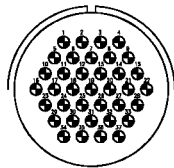


36 CONTACTS

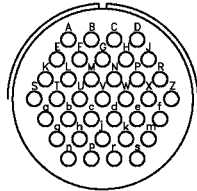


36-35
4/8 , 32/12
A

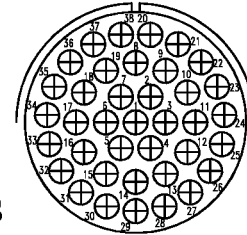
ARRANGEMENT 40-35
CONTACT SIZE 12
SERVICE RATING D



37 CONTACTS



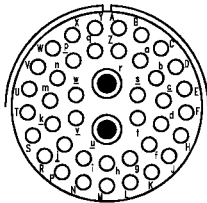
38 CONTACTS



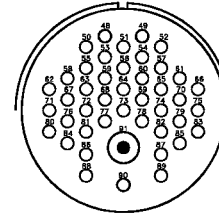
ARRANGEMENT 22-A37
CONTACT SIZE 18
SERVICE RATING A

28-21
16
A

40-A38
12
A



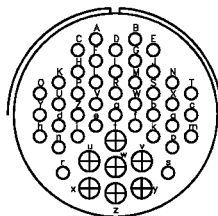
42 CONTACTS



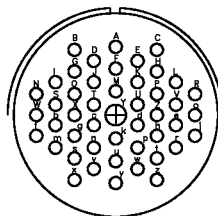
44 CONTACTS

ARRANGEMENT 32-59
CONTACT SIZE 2/8 , 40/16
SERVICE RATING A

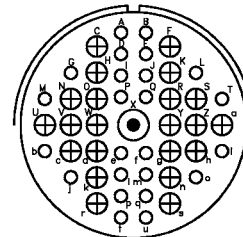
36-74
1/8 , 43/16
A



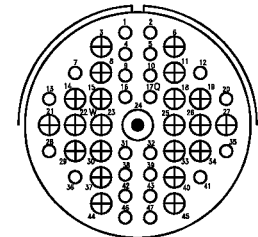
47 CONTACTS



36-8
1/12 , 46/16
A

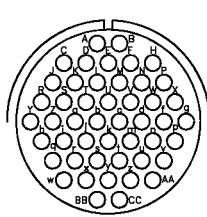


40-9
1/8 , 22/12 , 24/16
A

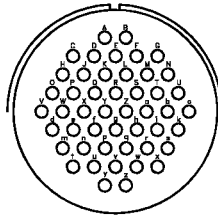


40-47
1/8 , 22/12 , 24/16
A

ARRANGEMENT 36-7
CONTACT SIZE 7/12 , 40/16
SERVICE RATING A



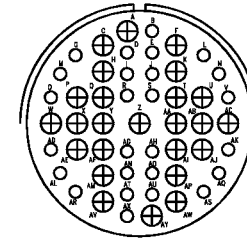
48 CONTACTS



51 CONTACTS

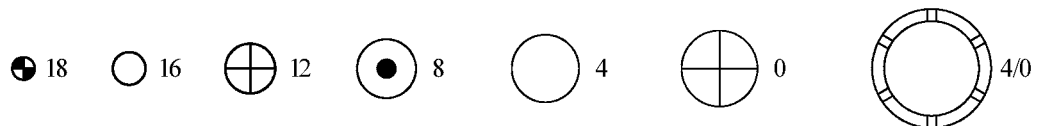
ARRANGEMENT 32-A48
CONTACT SIZE 16
SERVICE RATING I

36-10
16
A



40-951
25/12 , 26/16
A

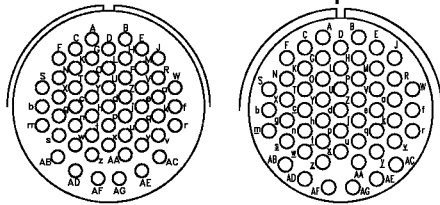
CONTACT LEGEND





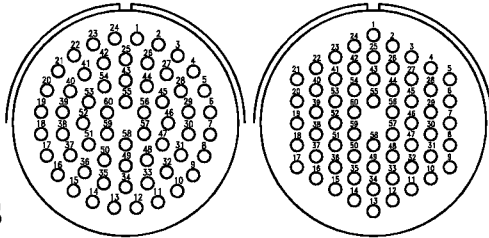
Contact arrangement

54 CONTACTS



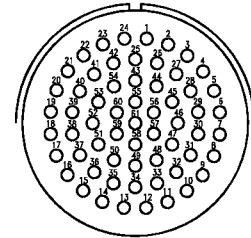
ARRANGEMENT	32-22	32-88
CONTACT SIZE	16	16
SERVICE RATING	A	A

60 CONTACTS



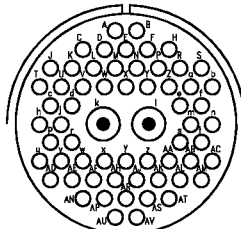
ARRANGEMENT	40-53	40-62
CONTACT SIZE	16	16
SERVICE RATING	A	A

61 CONTACTS



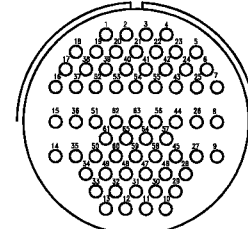
ARRANGEMENT	40-63
CONTACT SIZE	16
SERVICE RATING	A

62 CONTACTS



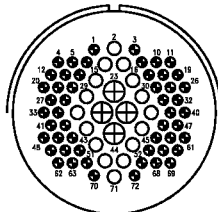
ARRANGEMENT	40-A62
CONTACT SIZE	2/8 , 60/16
SERVICE RATING	A

65 CONTACTS



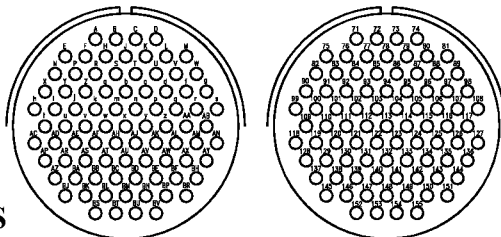
ARRANGEMENT	40-A65
CONTACT SIZE	16
SERVICE RATING	A

72 CONTACTS



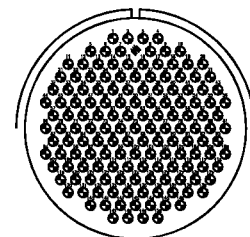
ARRANGEMENT	36-A72
CONTACT SIZE	4/12 , 16/16 , 52/18
SERVICE RATING	I

85 CONTACTS



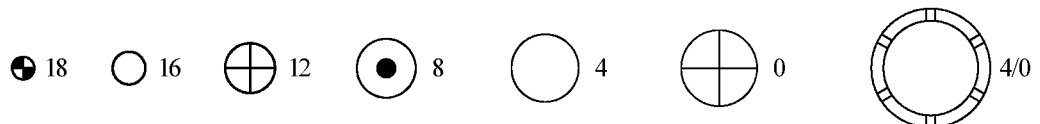
ARRANGEMENT	40-56	40-A56
CONTACT SIZE	16	16
SERVICE RATING	A	A

150 CONTACTS



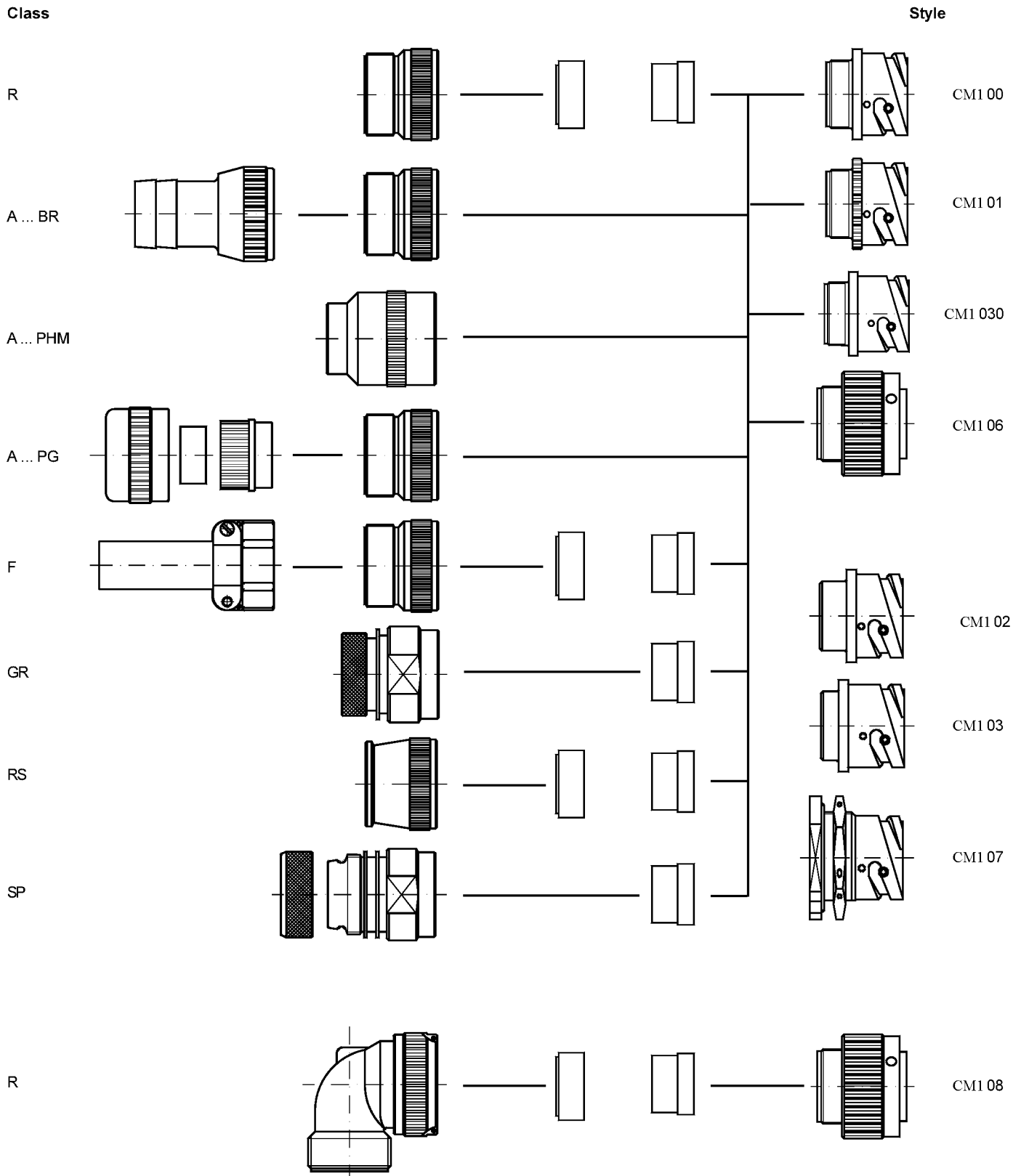
ARRANGEMENT	40-150
CONTACT SIZE	18
SERVICE RATING	I

CONTACT LEGEND





Styles & classes



Shell

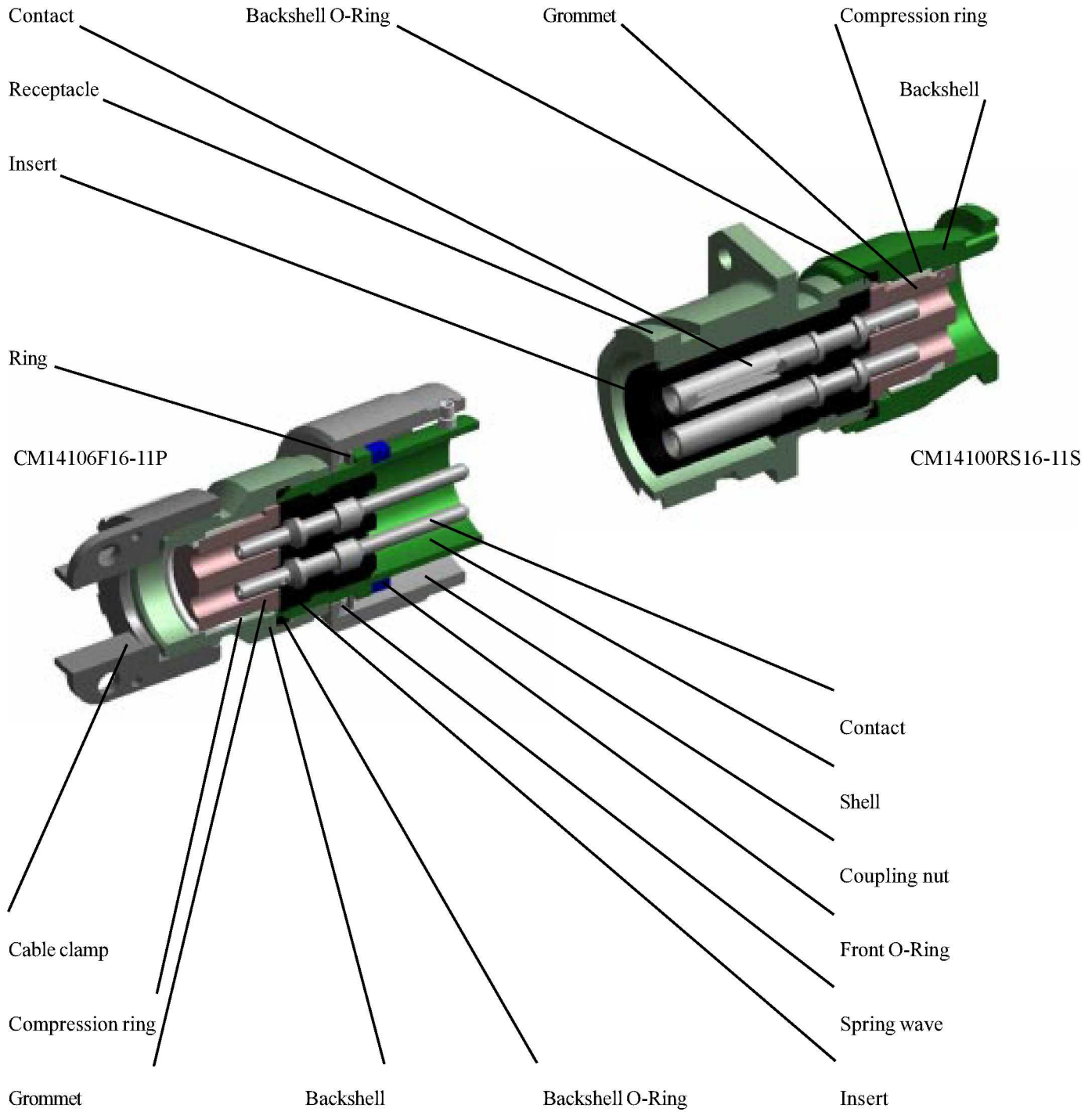
Grommet

Compression ring Backshell

Cable clamp

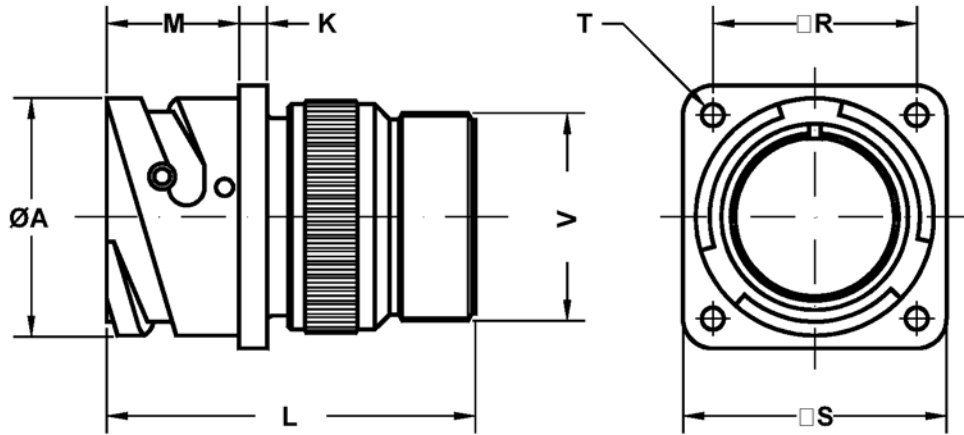


Example of assembled components





CM13100 A / CM13100 R
CM14100 A / CM14100 R
Wall mounting receptacle



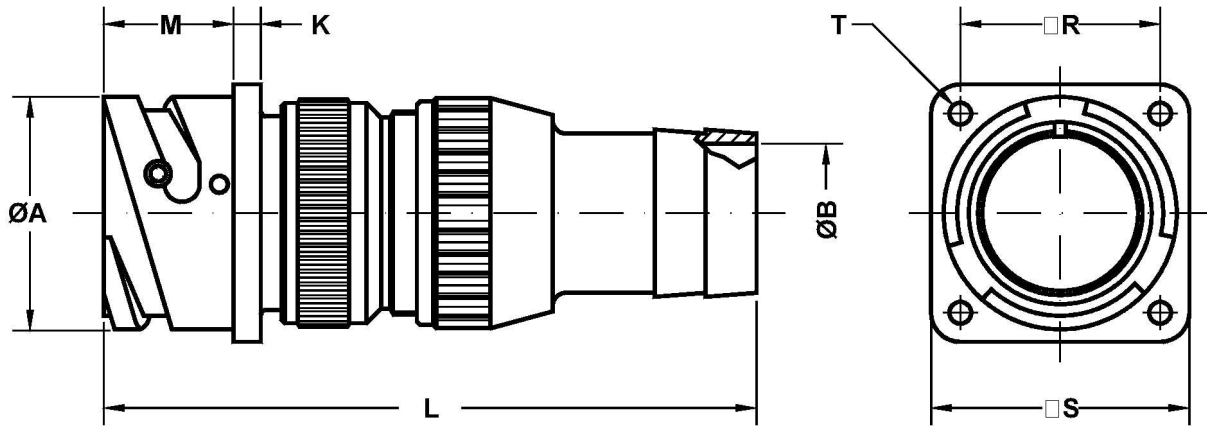
Shell size	ØA +0 -0.1	K ±0.2	L Max.	M +0.2 -0	R ±0.1	S +0.2	ØT +0.1 -0	V thread
10 SL	18.2	2.8	44.0	14.3	18.25	25.4	3.2	0.6250 - 24UNEF
14 S	24.5	3.3	46.4	14.5	23.00	30.4	3.2	0.7500 - 20UNEF
16 S	27.2	3.3	46.4	14.5	24.60	32.5	3.2	0.8750 - 20UNEF
16	27.2	3.3	57.8	19.1	24.60	32.5	3.2	0.8750 - 20UNEF
18	30.7	4.0	57.8	19.1	27.00	35.0	3.2	1.0000 - 20UNEF
20	34.0	4.0	58.1	19.1	29.40	38.0	3.2	1.1875 - 18UNEF
22	37.3	4.0	58.1	19.6	31.75	41.0	3.2	1.1875 - 18UNEF
24	40.9	4.0	59.7	20.6	34.90	44.5	3.7	1.4375 - 18UNEF
28	46.7	4.0	66.2	20.7	39.70	50.9	3.7	1.4375 - 18UNEF
32	53.4	4.0	71.3	22.3	44.45	57.0	4.3	1.7500 - 18UNS
36	59.6	4.0	76.8	22.3	49.20	63.5	4.3	2.0000 - 18UNS
40	65.5	4.0	76.8	22.3	55.55	69.9	4.3	2.2500 - 16UN

Wall mounting receptacle.
 Includes backshell for cable clamp
CM3057-XX A/B/C.
 No grommet supplied.



CM13100 A ... BR__
CM14100 A ... BR__

Wall mounting connector



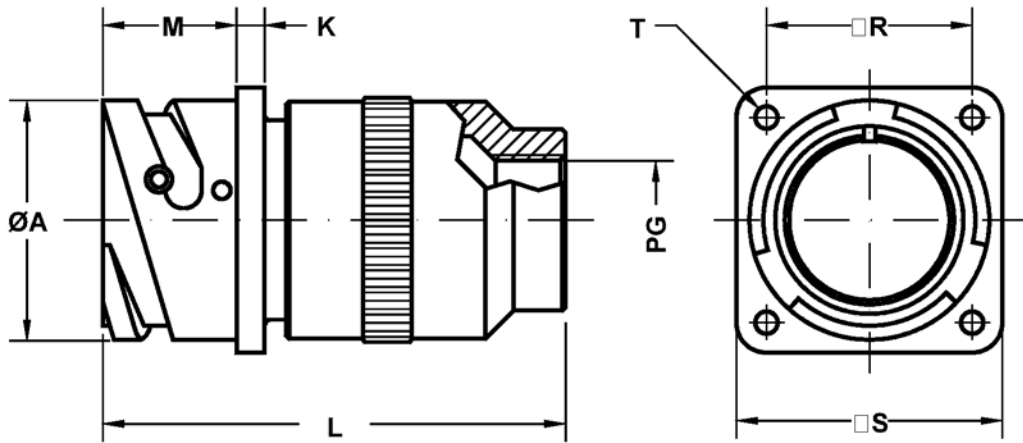
Shell size	ØA +0 -0.1	ØB ±0.1	K ±0.2	L Max.	M +0.2 -0	R ±0.1	S +0.2	ØT +0.1 -0
10 SL	18.2		2.8	90.0	14.3	18.25	25.4	3.2
14 S	24.5		3.3	91.5	14.5	23.00	30.4	3.2
16 S	27.2		3.3	91.5	14.5	24.60	32.5	3.2
16	27.2		3.3	103.0	19.1	24.60	32.5	3.2
18	30.7		4.0	103.0	19.1	27.00	35.0	3.2
20	34.0		4.0	103.0	19.1	29.40	38.0	3.2
22	37.3		4.0	103.0	19.6	31.75	41.0	3.2
24	40.9		4.0	104.5	20.6	34.90	44.5	3.7
28	46.7		4.0	111.0	20.7	39.70	50.9	3.7
32	53.4		4.0	116.5	22.3	44.45	57.0	4.3
36	59.6		4.0	122.0	22.3	49.20	63.5	4.3
40	65.5		4.0	122.0	22.3	55.55	69.9	4.3

Wall mounting receptacle.
 Includes backshell and termination for
 UNI4883 rubber conduits.
 No grommet supplied.



CM1 3100 A ... PG__
CM1 4100 A ... PG__

Wall mounting receptacle



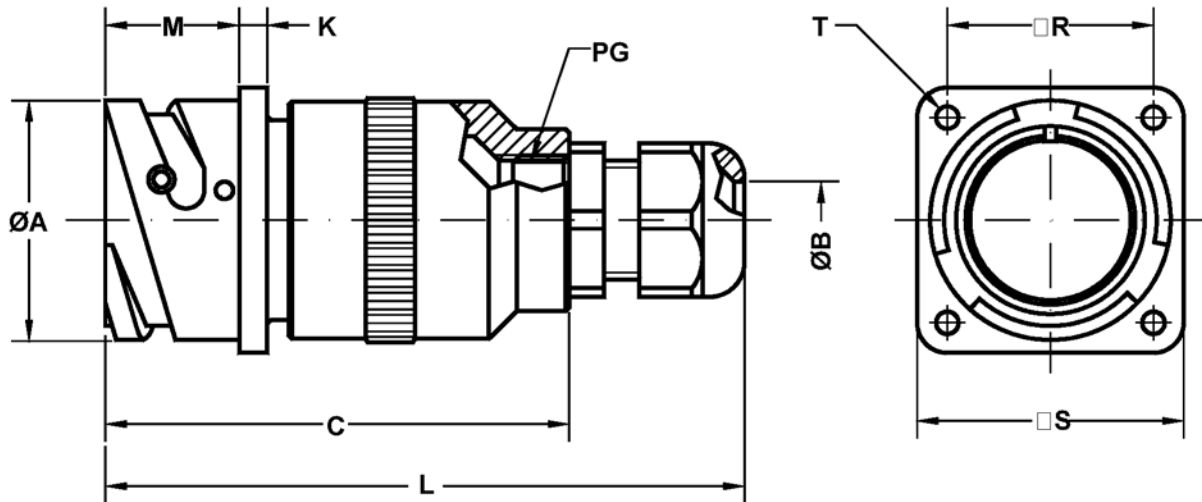
Shell size	ØA +0 -0.1	K ±0.2	L Max.	M +0.2 -0	PG thread	R ±0.1	S +0.2	ØT +0.1 -0
10 SL	18.2	2.8	50.0	14.3	7 / 9 / 11	18.25	25.4	3.2
14 S	24.5	3.3	52.5	14.5	11 / 13.5	23.00	30.4	3.2
16 S	27.2	3.3	52.5	14.5	9 / 11 / 16	24.60	32.5	3.2
16	27.2	3.3	61.0	19.1	9 / 11 / 16	24.60	32.5	3.2
18	30.7	4.0	66.5	19.1	9 / 11 / 16 / 21	27.00	35.0	3.2
20	34.0	4.0	69.5	19.1	11 / 16 / 21	29.40	38.0	3.2
22	37.3	4.0	69.5	19.6	13.5 / 16 / 21	31.75	41.0	3.2
24	40.9	4.0	71.5	20.6	13.5 / 16 / 21 / 29	34.90	44.5	3.7
28	46.7	4.0	76.5	20.7	16 / 21 / 29	39.70	50.9	3.7
32	53.4	4.0	82.5	22.3	21 / 29	44.45	57.0	4.3
36	59.6	4.0	87.5	22.3	21 / 29 / 36	49.20	63.5	4.3
40	65.5	4.0	92.5	22.3	29 / 36	55.55	69.9	4.3

Wall mounting receptacle for use with PG cable glands (not included). Other types of PG adaptors can be supplied in various sizes upon request.
No grommet supplied.



CM1 3100 A ... PH__
 CM1 4100 A ... PH__

Wall mounting connector

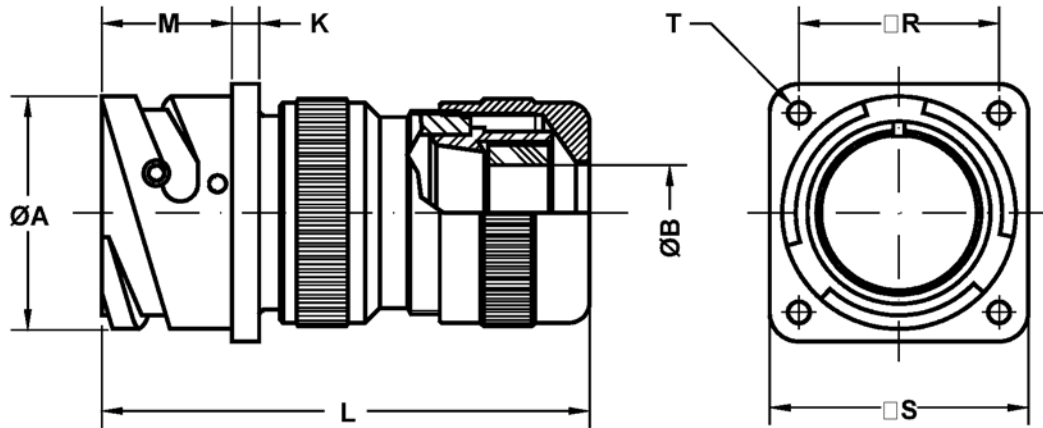


Shell size	ØA +0 -0.1	ØB min. ÷ Max.	C Max.	K ±0.2	L Max.	M +0.2 -0	PG thread	R ±0.1	S +0.2	ØT +0.1 -0
10 SL	18.2	3÷6.5 / 4÷8 / 5÷10	50.0	2.8	76.0	14.3	7 / 9 / 11	18.25	25.4	3.2
14 S	24.5	5÷10 / 6÷12	52.5	3.3	81.5	14.5	11 / 13.5	23.00	30.4	3.2
16 S	27.2	4÷8 / 5÷10 / 9÷14	52.5	3.3	83.5	14.5	9 / 11 / 16	24.60	32.5	3.2
16	27.2	4÷8 / 5÷10 / 9÷14	61.0	3.3	92.0	19.1	9 / 11 / 16	24.60	32.5	3.2
18	30.7	4÷8 / 5÷10 / 9÷14 / 13÷18	66.5	4.0	101.5	19.1	9 / 11 / 16 / 21	27.00	35.0	3.2
20	34.0	5÷10 / 9÷14 / 13÷18	69.5	4.0	104.5	19.1	11 / 16 / 21	29.40	38.0	3.2
22	37.3	6÷12 / 9÷14 / 13÷18	69.5	4.0	104.5	19.6	13.5 / 16 / 21	31.75	41.0	3.2
24	40.9	6÷12 / 9÷14 / 13÷18 / 15÷25	71.5	4.0	110.5	20.6	13.5 / 16 / 21 / 29	34.90	44.5	3.7
28	46.7	9÷14 / 13÷18 / 15÷25	76.5	4.0	115.5	20.7	16 / 21 / 29	39.70	50.9	3.7
32	53.4	13÷18 / 15÷25	82.5	4.0	121.5	22.3	21 / 29	44.45	57.0	4.3
36	59.6	13÷18 / 15÷25 / 20÷32	87.5	4.0	136.5	22.3	21 / 29 / 36	49.20	63.5	4.3
40	65.5	15÷25 / 20÷32	92.5	4.0	141.5	22.3	29 / 36	55.55	69.9	4.3

Wall mounting receptacle with adaptor and plastic PG cable gland.
 Other types of PG adaptors can be supplied in various sizes upon request.
 No grommet supplied.



CM1 3100 A ... PHM__
CM1 4100 A ... PHM__
Wall mounting receptacle



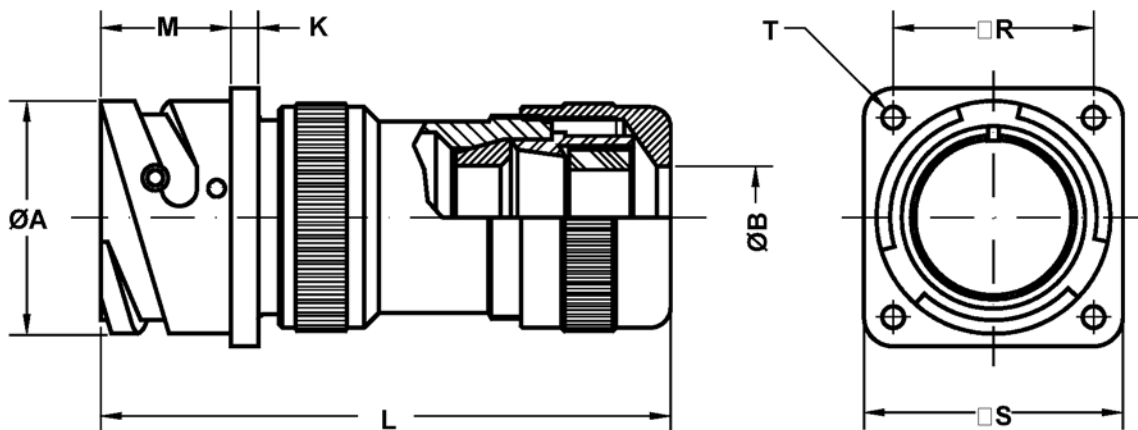
Shell size	P.N. PHM	ØA +0 -0.1	ØB min. ÷ Max.	K ±0.2	L Max.	M +0.2 -0	R ±0.1	S +0.2	ØT +0.1 -0
10 SL	11	18.2	2÷11	2.8	60	14.3	18.25	25.4	3.2
14 S	11	24.5	2÷11	3.3	60	14.5	23.00	30.4	3.2
16 S	11	27.2	2÷11	3.3	60	14.5	24.60	32.5	3.2
16	11	27.2	2÷11	3.3	70	19.1	24.60	32.5	3.2
18	11 / 18	30.7	2÷11 / 2÷16.5	4.0	70	19.1	27.00	35.0	3.2
20	11 / 18	34.0	2÷11 / 2÷16.5	4.0	70	19.1	29.40	38.0	3.2
22	18	37.3	2÷16.5	4.0	70	19.6	31.75	41.0	3.2
24	18 / 22 / 24	40.9	2÷16.5 / 15÷20 / 19÷24	4.0	80	20.6	34.90	44.5	3.7
28	18 / 22 / 24	46.7	2÷16.5 / 15÷20 / 19÷24	4.0	80	20.7	39.70	50.9	3.7
32	22 / 24	53.4	15÷20 / 19÷24	4.0	80	22.3	44.45	57.0	4.3
36	35	59.6	23÷35	4.0	95	22.3	49.20	63.5	4.3
40	35	65.5	23÷35	4.0	95	22.3	55.55	69.9	4.3

Wall mounting receptacle.

Includes a PHM cable clamp that assures an excellent mechanical and waterproof seal if used with the correct neoprene sealing sleeves.

No grommet supplied.

CM1 3100 A ... PHM__ EMI
CM1 4100 A ... PHM__ EMI
Wall mounting connector

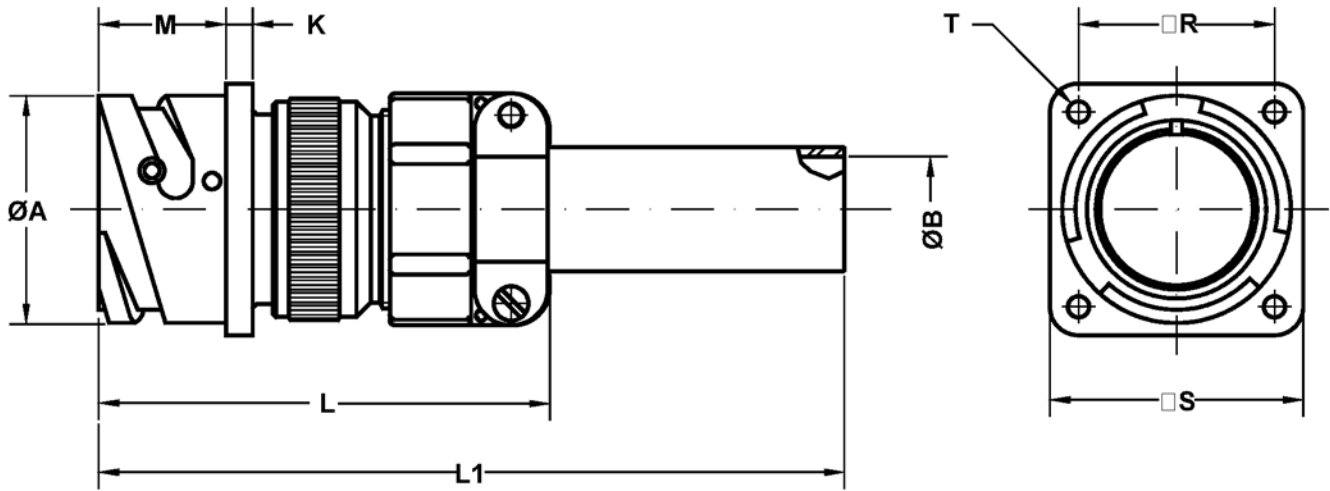


Shell size	P.N. PHM	ØA +0 -0.1	ØB min. ÷ Max.	K ±0.2	L Max.	M +0.2 -0	R ±0.1	S +0.2	ØT +0.1 -0
10 SL	11	18.2	2÷11	2.8	70	14.3	18.25	25.4	3.2
14 S	11	24.5	2÷11	3.3	70	14.5	23.00	30.4	3.2
16 S	11	27.2	2÷11	3.3	70	14.5	24.60	32.5	3.2
16	11	27.2	2÷11	3.3	80	19.1	24.60	32.5	3.2
18	11 / 18	30.7	2÷11 / 2÷16.5	4.0	80	19.1	27.00	35.0	3.2
20	11 / 18	34.0	2÷11 / 2÷16.5	4.0	80	19.1	29.40	38.0	3.2
22	18	37.3	2÷16.5	4.0	80	19.6	31.75	41.0	3.2
24	18 / 22 / 24	40.9	2÷16.5 / 15÷20 / 19÷24	4.0	90	20.6	34.90	44.5	3.7
28	18 / 22 / 24	46.7	2÷16.5 / 15÷20 / 19÷24	4.0	90	20.7	39.70	50.9	3.7
32	22 / 24	53.4	15÷20 / 19÷24	4.0	90	22.3	44.45	57.0	4.3
36	35	59.6	23÷35	4.0	105	22.3	49.20	63.5	4.3
40	35	65.5	23÷35	4.0	105	22.3	55.55	69.9	4.3

Wall mounting receptacle.
 Includes a PHM cable clamp that assures an excellent mechanical and waterproof seal with multipolar shielded cables if used with the correct neoprene sealing sleeves.
 No grommet supplied.



CM1 3100 F
CM1 4100 F
Wall mounting receptacle

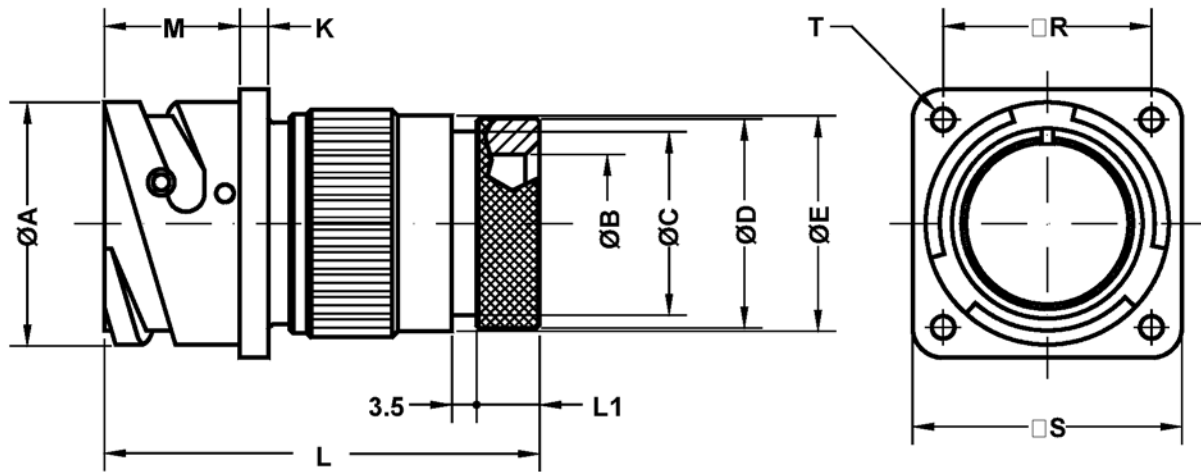


Shell size	ØA +0 -0.1	ØB ± 0.1	K ± 0.2	L Max.	$L1$ Max.	M +0.2 -0	R ± 0.1	S +0.2	ØT +0.1 -0
10 SL	18.2	5.58	2.8	55.0	125	14.3	18.25	25.4	3.2
14 S	24.5	7.92	3.3	58.4	125	14.5	23.00	30.4	3.2
16 S	27.2	11.09	3.3	60.4	125	14.5	24.60	32.5	3.2
16	27.2	11.09	3.3	71.8	135	19.1	24.60	32.5	3.2
18	30.7	14.27	4.0	77.8	140	19.1	27.00	35.0	3.2
20	34.0	15.87	4.0	74.0	130	19.1	29.40	38.0	3.2
22	37.3	15.87	4.0	74.0	130	19.6	31.75	41.0	3.2
24	40.9	19.05	4.0	76.7	130	20.6	34.90	44.5	3.7
28	46.7	19.05	4.0	83.2	135	20.7	39.70	50.9	3.7
32	53.4	23.79	4.0	90.3	140	22.3	44.45	57.0	4.3
36	59.6	31.75	4.0	96.8	145	22.3	49.20	63.5	4.3
40	65.5	34.92	4.0	115.8	160	22.3	55.55	69.9	4.3

Wall mounting receptacle.
 Includes insulating grommet, backshell, class
 A cable clamp **CM3057** and neoprene sleeve.



CM13100 G
CM14100 G
Wall mounting connector



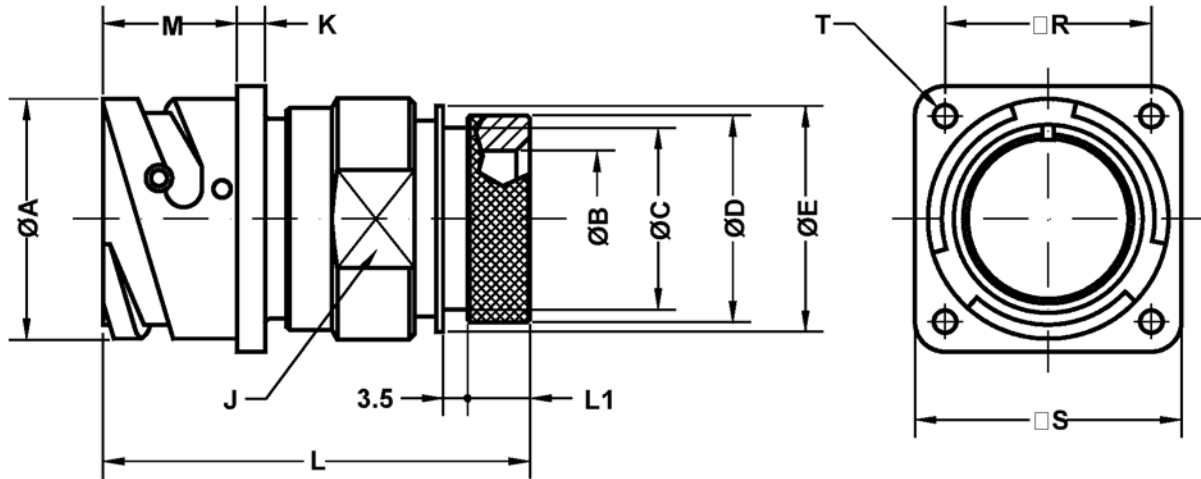
Shell size	ØA +0 -0.1	ØB min.	ØC ±0.1	ØD ±0.2	ØE ±0.2	K ±0.2	L Max.	L1 Max.	M +0.2 -0	R ±0.1	S +0.2	ØT +0.1 -0
10 SL	18.2	8.5	13.0	15.5	17.0	2.8	52.7	8.2	14.3	18.25	25.4	3.2
14 S	24.5	12.0	16.5	19.1	20.1	3.3	53.4	8.2	14.5	23.00	30.4	3.2
16 S	27.2	14.5	21.5	23.9	23.5	3.3	53.4	8.2	14.5	24.60	32.5	3.2
16	27.2	14.5	21.5	23.9	23.5	3.3	65.8	8.0	19.1	24.60	32.5	3.2
18	30.7	17.5	21.7	23.9	26.5	4.0	65.8	8.0	19.1	27.00	35.0	3.2
20	34.0	19.5	26.0	29.6	30.5	4.0	66.1	8.9	19.1	29.40	38.0	3.2
22	37.3	22.0	26.0	29.6	33.6	4.0	66.1	8.9	19.6	31.75	41.0	3.2
24	40.9	25.0	34.5	37.8	36.1	4.0	65.7	9.2	20.6	34.90	44.5	3.7
28	46.7	29.0	34.5	37.8	41.4	4.0	66.2	9.2	20.7	39.70	50.9	3.7
32	53.4	34.0	43.6	47.8	48.6	4.0	73.8	11.7	22.3	44.45	57.0	4.3
36	59.6	38.5	43.6	47.8	54.8	4.0	83.8	11.7	22.3	49.20	63.5	4.3
40	65.5	48.0	52.6	57.8	60.9	4.0	83.8	11.7	22.3	55.55	69.9	4.3

Wall mounting receptacle.
 Includes wire sealing grommet and backshell
 for heat shrink tubing.



**CM1 3100 GR
CM1 4100 GR**

Wall mounting receptacle



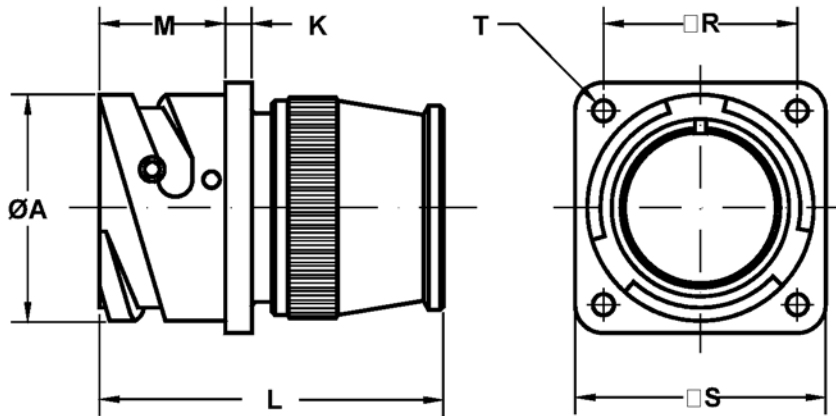
Shell size	ØA +0 -0.1	ØB min.	ØC ±0.1	ØD ±0.2	ØE ±0.2	J key	K ±0.2	L Max.	L1 Max.	M +0.2 -0	R ±0.1	S +0.2	ØT +0.1 -0
10 SL	18.2	8.5	13.0	15.5	17.0	20	2.8	52.7	8.2	14.3	18.25	25.4	3.2
14 S	24.5	12.0	16.5	19.1	20.1	23	3.3	53.4	8.2	14.5	23.00	30.4	3.2
16 S	27.2	14.5	21.5	23.9	23.5	26	3.3	53.4	8.2	14.5	24.60	32.5	3.2
16	27.2	14.5	21.5	23.9	23.5	26	3.3	65.8	8.0	19.1	24.60	32.5	3.2
18	30.7	17.5	21.7	23.9	26.5	28	4.0	65.8	8.0	19.1	27.00	35.0	3.2
20	34.0	19.5	26.0	29.6	30.5	32	4.0	66.1	8.9	19.1	29.40	38.0	3.2
22	37.3	22.0	26.0	29.6	33.6	36	4.0	66.1	8.9	19.6	31.75	41.0	3.2
24	40.9	25.0	34.5	37.8	36.1	39	4.0	65.7	9.2	20.6	34.90	44.5	3.7
28	46.7	29.0	34.5	37.8	41.4	46	4.0	66.2	9.2	20.7	39.70	50.9	3.7
32	53.4	34.0	43.6	47.8	48.6	52	4.0	73.8	11.7	22.3	44.45	57.0	4.3
36	59.6	38.5	43.6	47.8	54.8	58	4.0	83.8	11.7	22.3	49.20	63.5	4.3
40	65.5	48.0	52.6	57.8	60.9	65	4.0	83.8	11.7	22.3	55.55	69.9	4.3

Wall mounting receptacle.
Includes wire sealing grommet and backshell
with rotating clamp nut for heat shrink tubing.



**CM1 3100 RS
CM1 4100 RS**

Wall mounting connector



Shell size	ØA +0 -0.1	K ±0.2	L Max.	M +0.2 -0	R ±0.1	S +0.2	ØT +0.1 -0
10 SL	18.2	2.8	38.0	14.3	18.25	25.4	3.2
14 S	24.5	3.3	47.5	14.5	23.00	30.4	3.2
16 S	27.2	3.3	45.5	14.5	24.60	32.5	3.2
16	27.2	3.3	55.5	19.1	24.60	32.5	3.2
18	30.7	4.0	55.5	19.1	27.00	35.0	3.2
20	34.0	4.0	55.5	19.1	29.40	38.0	3.2
22	37.3	4.0	55.5	19.6	31.75	41.0	3.2
24	40.9	4.0	58.5	20.6	34.90	44.5	3.7
28	46.7	4.0	58.5	20.7	39.70	50.9	3.7
32	53.4	4.0	58.5	22.3	44.45	57.0	4.3
36	59.6	4.0	58.5	22.3	49.20	63.5	4.3
40	65.5	4.0	58.5	22.3	55.55	69.9	4.3

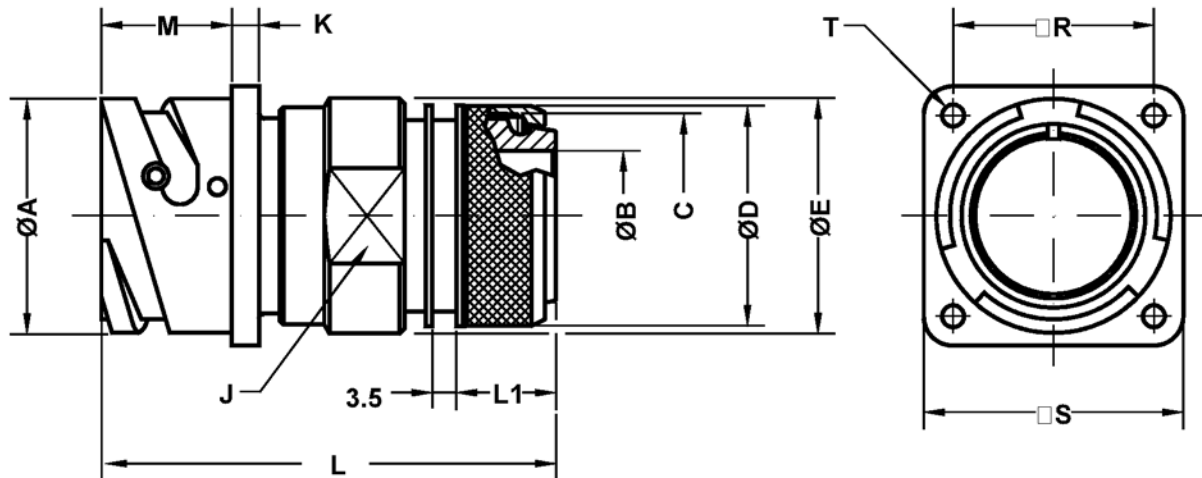
Wall mounting receptacle.
Includes insulating grommet and backshell.
For use with individual wires.



CM1 3100 SP

CM1 4100 SP

Wall mounting receptacle



Shell size	ØA +0 -0.1	ØB min.	C thread	ØD ±0.2	ØE ±0.2	J key	K ±0.2	L Max.	L1 Max.	M +0.2 -0	R ±0.1	S +0.2	ØT +0.1 -0
10 SL	18.2	8.5	M16 x 1	18.5	22.0	20	2.8	52.0	13.5	14.3	18.25	25.4	3.2
14 S	24.5	12.0	M20 x 1	22.3	25.0	23	3.3	52.0	13.5	14.5	23.00	30.4	3.2
16 S	27.2	14.5	M23 x 1	25.3	28.0	26	3.3	54.0	14.6	14.5	24.60	32.5	3.2
16	27.2	14.5	M23 x 1	25.3	28.0	26	3.3	63.0	14.6	19.1	24.60	32.5	3.2
18	30.7	17.5	M26 x 1	28.0	30.0	28	4.0	64.5	14.6	19.1	27.00	35.0	3.2
20	34.0	19.5	M30 x 1	32.3	34.5	32	4.0	64.5	14.6	19.1	29.40	38.0	3.2
22	37.3	22.0	M32 x 1	34.3	38.0	36	4.0	64.5	14.6	19.6	31.75	41.0	3.2
24	40.9	25.0	M36 x 1	38.3	41.0	39	4.0	66.0	14.6	20.6	34.90	44.5	3.7
28	46.7	29.0	M39 x 1	41.2	48.0	46	4.0	66.0	14.6	20.7	39.70	50.9	3.7
32	53.4	34.0	M45 x 1	48.3	54.0	52	4.0	67.5	14.6	22.3	44.45	57.0	4.3
36	59.6	38.5	M52 x 1	55.0	61.0	58	4.0	68.0	15.5	22.3	49.20	63.5	4.3
40	65.5	48.0	M59 x 1	62.0	68.0	65	4.0	68.0	15.5	22.3	55.55	69.9	4.3

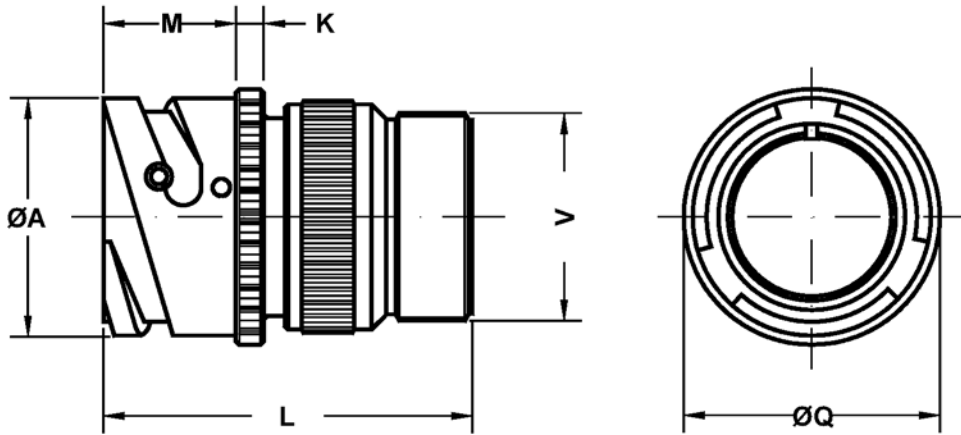
Wall mounting receptacle.

Includes wire sealing grommet and backshell with rotating clamp nut.

Shielded cable is terminated with a "braid trap" nut and heat shrink tubing (optional).



CM1 3101 A / CM13101 R
CM1 4101 A / CM14101 R
In-line receptacle

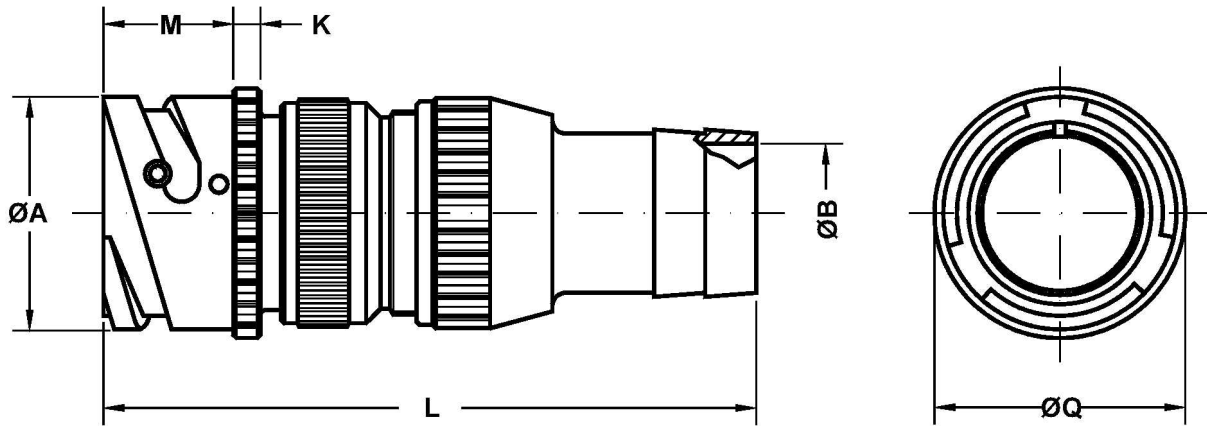


Shell size	ØA +0 -0.1	K ±0.2	L Max.	M +0.2 -0	ØQ ±0.1	V thread
10 SL	18.2	2.8	44.0	14.3	21.8	0.6250 - 24UNEF
14 S	24.5	3.3	46.4	14.5	28.8	0.7500 - 20UNEF
16 S	27.2	3.3	46.4	14.5	30.5	0.8750 - 20UNEF
16	27.2	3.3	57.8	19.1	30.5	0.8750 - 20UNEF
18	30.7	4.0	57.8	19.1	33.8	1.0000 - 20UNEF
20	34.0	4.0	58.1	19.1	36.9	1.1875 - 18UNEF
22	37.3	4.0	58.1	19.6	39.5	1.1875 - 18UNEF
24	40.9	4.0	59.7	20.6	43.9	1.4375 - 18UNEF
28	46.7	4.0	66.2	20.7	48.4	1.4375 - 18UNEF
32	53.4	4.0	71.3	22.3	56.0	1.7500 - 18UNS
36	59.6	4.0	76.8	22.3	62.4	2.0000 - 18UNS
40	65.5	4.0	76.8	22.3	68.6	2.2500 - 16UN

In-line receptacle.
 Includes backshell for cable clamp
CM3057-XX A/B/C.
 No grommet supplied.



CM1 3101 A ... BR__
CM1 4101 A ... BR__
In-line receptacle

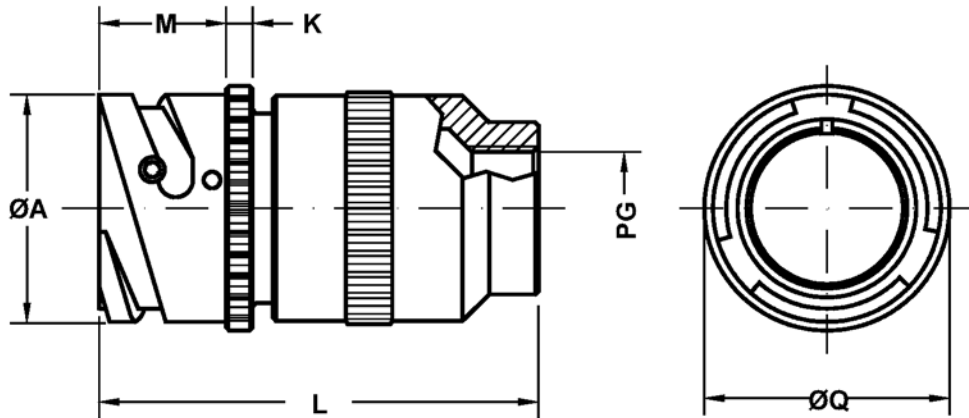


Shell size	ØA +0 -0.1	ØB ±0.1	K ±0.2	L Max.	M +0.2 -0	ØQ ±0.1
10 SL	18.2		2.8	90.0	14.3	21.8
14 S	24.5		3.3	91.5	14.5	28.8
16 S	27.2		3.3	91.5	14.5	30.5
16	27.2		3.3	103.0	19.1	30.5
18	30.7		4.0	103.0	19.1	33.8
20	34.0		4.0	103.0	19.1	36.9
22	37.3		4.0	103.0	19.6	39.5
24	40.9		4.0	104.5	20.6	43.9
28	46.7		4.0	111.0	20.7	48.4
32	53.4		4.0	116.5	22.3	56.0
36	59.6		4.0	122.0	22.3	62.4
40	65.5		4.0	122.0	22.3	68.6

In-line receptacle.
 Includes backshell and termination for
 UNI4883 rubber conduits.
 No grommet supplied.



CM1 3101 A ... PG__
CM1 4101 A ... PG__
In-line receptacle

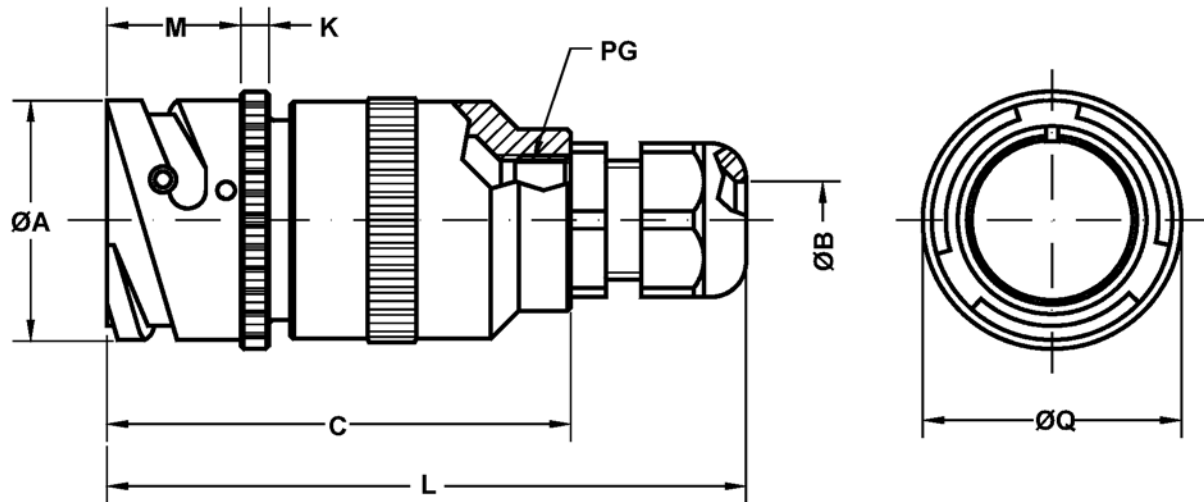


Shell size	ØA +0 -0.1	K ±0.2	L Max.	M +0.2 -0	PG thread	ØQ ±0.1
10 SL	18.2	2.8	50.0	14.3	7 / 9 / 11	21.8
14 S	24.5	3.3	52.5	14.5	11 / 13.5	28.8
16 S	27.2	3.3	52.5	14.5	9 / 11 / 16	30.5
16	27.2	3.3	61.0	19.1	9 / 11 / 16	30.5
18	30.7	4.0	66.5	19.1	9 / 11 / 16 / 21	33.8
20	34.0	4.0	69.5	19.1	11 / 16 / 21	36.9
22	37.3	4.0	69.5	19.6	13.5 / 16 / 21	39.5
24	40.9	4.0	71.5	20.6	13.5 / 16 / 21 / 29	43.9
28	46.7	4.0	76.5	20.7	16 / 21 / 29	48.4
32	53.4	4.0	82.5	22.3	21 / 29	56.0
36	59.6	4.0	87.5	22.3	21 / 29 / 36	62.4
40	65.5	4.0	92.5	22.3	29 / 36	68.6

In-line receptacle for use with PG cable glands (not included).
 Other types of PG adaptors can be supplied in various sizes upon request.
 No grommet supplied.



CM1 3101 A ... PH__
CM1 4101 A ... PH__
In-line receptacle

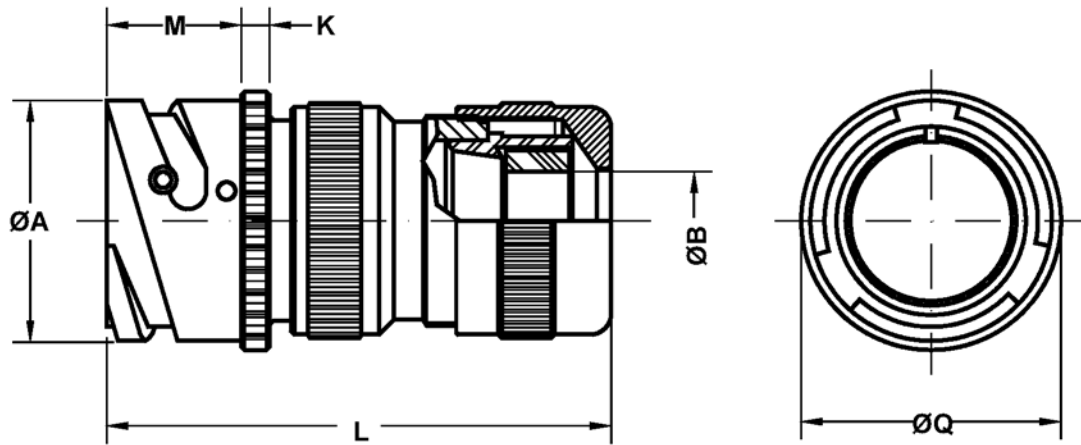


Shell size	ØA +0 -0.1	ØB min. ÷ Max.	C Max.	K ±0.2	L Max.	M +0.2 -0	PG thread	Q ±0.1
10 SL	18.2	3÷6.5 / 4÷8 / 5÷10	50.0	2.8	76.0	14.3	7 / 9 / 11	21.8
14 S	24.5	5÷10 / 6÷12	52.5	3.3	81.5	14.5	11 / 13.5	28.8
16 S	27.2	4÷8 / 5÷10 / 9÷14	52.5	3.3	83.5	14.5	9 / 11 / 16	30.5
16	27.2	4÷8 / 5÷10 / 9÷14	61.0	3.3	92.0	19.1	9 / 11 / 16	30.5
18	30.7	4÷8 / 5÷10 / 9÷14 / 13÷18	66.5	4.0	101.5	19.1	9 / 11 / 16 / 21	33.8
20	34.0	5÷10 / 9÷14 / 13÷18	69.5	4.0	104.5	19.1	11 / 16 / 21	36.9
22	37.3	6÷12 / 9÷14 / 13÷18	69.5	4.0	104.5	19.6	13.5 / 16 / 21	39.5
24	40.9	6÷12 / 9÷14 / 13÷18 / 15÷25	71.5	4.0	110.5	20.6	13.5 / 16 / 21 / 29	43.9
28	46.7	9÷14 / 13÷18 / 15÷25	76.5	4.0	115.5	20.7	16 / 21 / 29	48.4
32	53.4	13÷18 / 15÷25	82.5	4.0	121.5	22.3	21 / 29	56.0
36	59.6	13÷18 / 15÷25 / 20÷32	87.5	4.0	136.5	22.3	21 / 29 / 36	62.4
40	65.5	15÷25 / 20÷32	92.5	4.0	141.5	22.3	29 / 36	68.6

In-line receptacle with backshell and PG cable gland.
 Other types of PG adaptors can be supplied in various sizes upon request.
 No grommet supplied.



CM1 3101 A ... PHM__
CM1 4101 A ... PHM__
In-line receptacle



Shell size	P.N. PHM	ØA +0 -0.1	ØB min. ÷ Max.	K ±0.2	L Max.	M +0.2 -0	ØQ ±0.1
10 SL	11	18.2	2÷11	2.8	60	14.3	21.8
14 S	11	24.5	2÷11	3.3	60	14.5	28.8
16 S	11	27.2	2÷11	3.3	60	14.5	30.5
16	11	27.2	2÷11	3.3	70	19.1	30.5
18	11 / 18	30.7	2÷11 / 2÷16.5	4.0	70	19.1	33.8
20	11 / 18	34.0	2÷11 / 2÷16.5	4.0	70	19.1	36.9
22	18	37.3	2÷16.5	4.0	70	19.6	39.5
24	18 / 22 / 24	40.9	2÷16.5 / 15÷20 / 19÷24	4.0	80	20.6	43.9
28	18 / 22 / 24	46.7	2÷16.5 / 15÷20 / 19÷24	4.0	80	20.7	48.4
32	22 / 24	53.4	15÷20 / 19÷24	4.0	80	22.3	56.0
36	35	59.6	23÷35	4.0	95	22.3	62.4
40	35	65.5	23÷35	4.0	95	22.3	68.6

In-line receptacle.

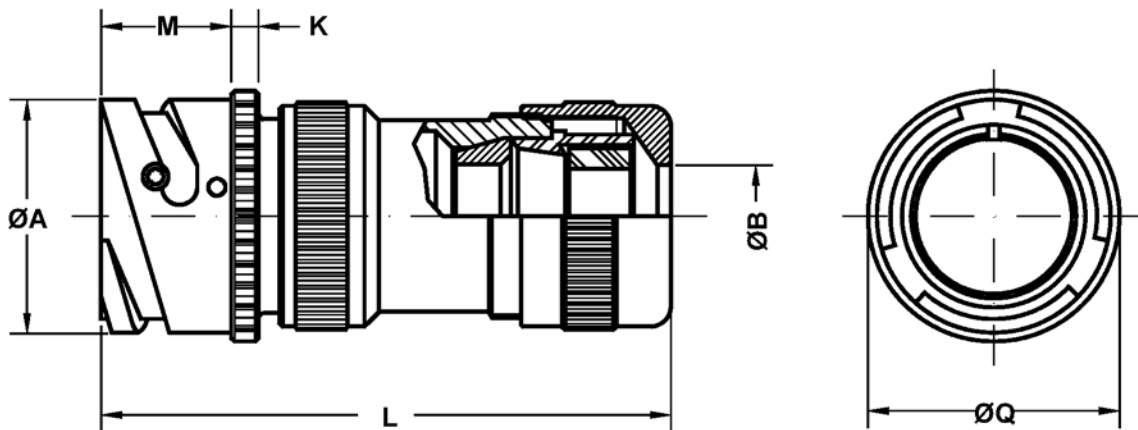
Includes a PHM cable clamp that assures an excellent mechanical and waterproof seal if used with the correct neoprene sealing sleeves.

No grommet supplied.



CM1 3101 A ... PHM__ EMI
CM1 4101 A ... PHM__ EMI

In-line receptacle



Shell size	P.N. PHM	ØA +0 -0.1	ØB min. ÷ Max.	K ±0.2	L Max.	M +0.2 -0	ØQ ±0.1
10 SL	11	18.2	2÷11	2.8	70	14.3	21.8
14 S	11	24.5	2÷11	3.3	70	14.5	28.8
16 S	11	27.2	2÷11	3.3	70	14.5	30.5
16	11	27.2	2÷11	3.3	80	19.1	30.5
18	11 / 18	30.7	2÷11 / 2÷16.5	4.0	80	19.1	33.8
20	11 / 18	34.0	2÷11 / 2÷16.5	4.0	80	19.1	36.9
22	18	37.3	2÷16.5	4.0	80	19.6	39.5
24	18 / 22 / 24	40.9	2÷16.5 / 15÷20 / 19÷24	4.0	90	20.6	43.9
28	18 / 22 / 24	46.7	2÷16.5 / 15÷20 / 19÷24	4.0	90	20.7	48.4
32	22 / 24	53.4	15÷20 / 19÷24	4.0	90	22.3	56.0
36	35	59.6	23÷35	4.0	105	22.3	62.4
40	35	65.5	23÷35	4.0	105	22.3	68.6

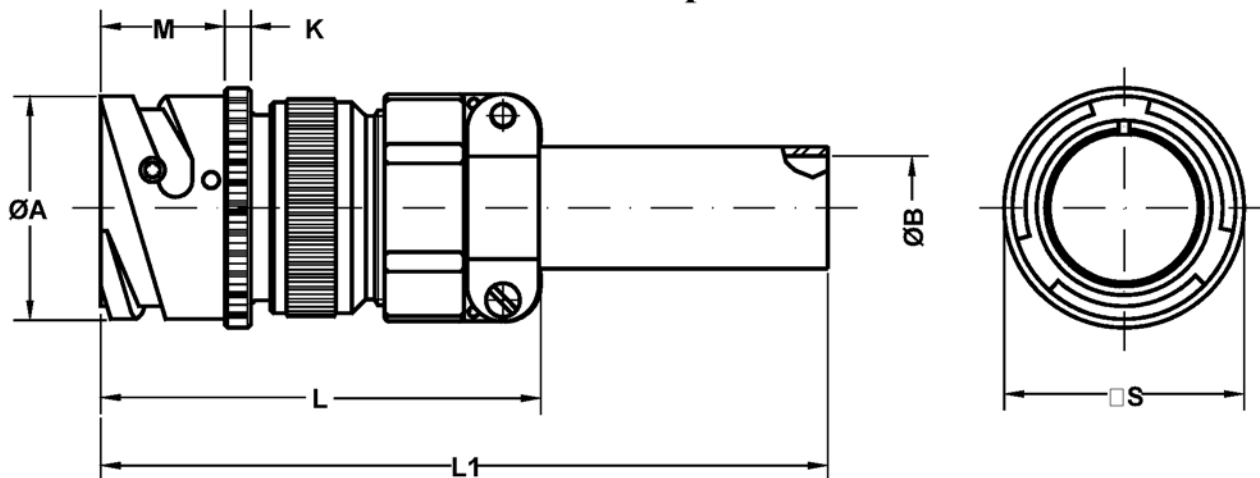
In-line receptacle.

Includes a PHM cable clamp that assures an excellent mechanical and waterproof seal with multipolar shielded cables if used with the correct neoprene sealing sleeves.

No grommet supplied.



CM1 3101 F
CM1 4101 F
In-line receptacle



Shell size	ØA +0 -0.1	ØB ±0.1	K ±0.2	L Max.	L1 Max.	M +0.2 -0	ØQ ±0.1
10 SL	18.2	5.58	2.8	55.0	125	14.3	21.8
14 S	24.5	7.92	3.3	58.4	125	14.5	28.8
16 S	27.2	11.09	3.3	60.4	125	14.5	30.5
16	27.2	11.09	3.3	71.8	135	19.1	30.5
18	30.7	14.27	4.0	77.8	140	19.1	33.8
20	34.0	15.87	4.0	74.0	130	19.1	36.9
22	37.3	15.87	4.0	74.0	130	19.6	39.5
24	40.9	19.05	4.0	76.7	130	20.6	43.9
28	46.7	19.05	4.0	83.2	135	20.7	48.4
32	53.4	23.79	4.0	90.3	140	22.3	56.0
36	59.6	31.75	4.0	96.8	145	22.3	62.4
40	65.5	34.92	4.0	115.8	160	22.3	68.6

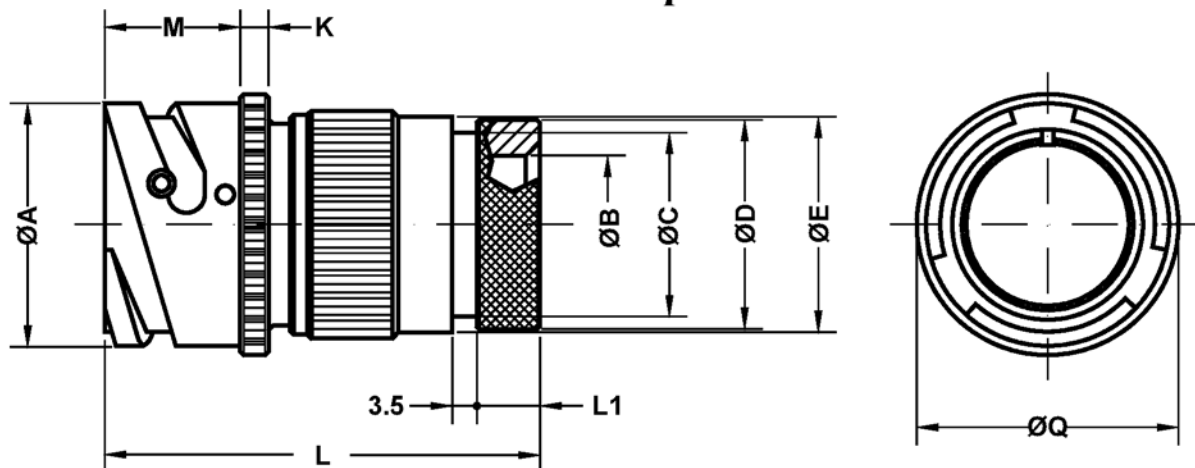
In-line receptacle.

Includes insulating grommet, backshell,
class A **CM3057** cable clamp and neoprene
sleeve.

No grommet supplied.



CM1 3101 G
CM1 4101 G
In-line receptacle

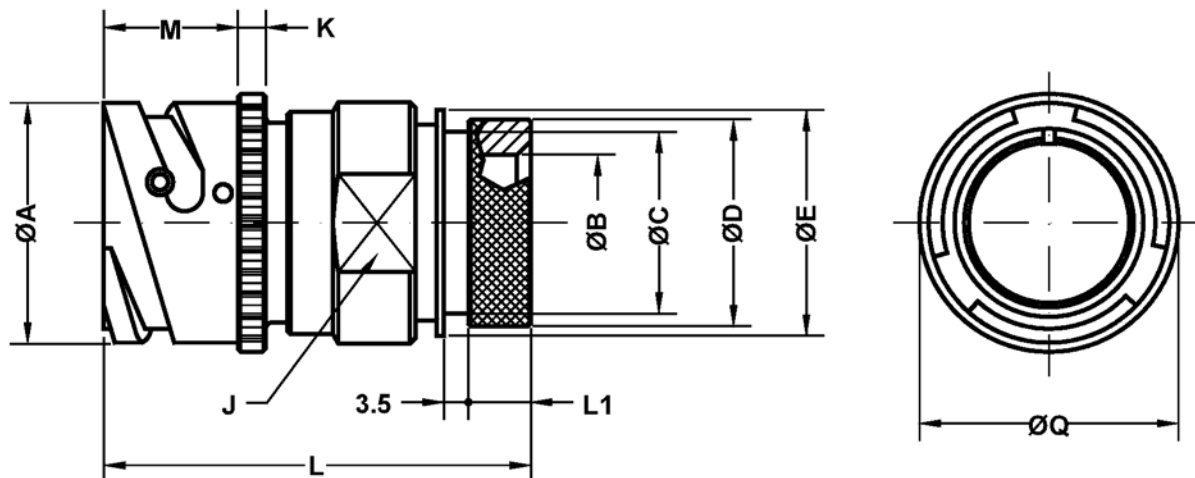


Shell size	ØA +0 -0.1	ØB min.	ØC ±0.1	ØD ±0.2	ØE ±0.2	K ±0.2	L Max.	L1 Max.	M +0.2 -0	ØQ ±0.1
10 SL	18.2	8.5	13.0	15.5	17.0	2.8	52.7	8.2	14.3	21.8
14 S	24.5	12.0	16.5	19.1	20.1	3.3	53.4	8.2	14.5	28.8
16 S	27.2	14.5	21.5	23.9	23.5	3.3	53.4	8.2	14.5	30.5
16	27.2	14.5	21.5	23.9	23.5	3.3	65.8	8.0	19.1	30.5
18	30.7	17.5	21.7	23.9	26.5	4.0	65.8	8.0	19.1	33.8
20	34.0	19.5	26.0	29.6	30.5	4.0	66.1	8.9	19.1	36.9
22	37.3	22.0	26.0	29.6	33.6	4.0	66.1	8.9	19.6	39.5
24	40.9	25.0	34.5	37.8	36.1	4.0	65.7	9.2	20.6	43.9
28	46.7	29.0	34.5	37.8	41.4	4.0	66.2	9.2	20.7	48.4
32	53.4	34.0	43.6	47.8	48.6	4.0	73.8	11.7	22.3	56.0
36	59.6	38.5	43.6	47.8	54.8	4.0	83.8	11.7	22.3	62.4
40	65.5	48.0	52.6	57.8	60.9	4.0	83.8	11.7	22.3	68.6

In-line receptacle.
Includes wire sealing grommet and backshell
for heat shrink tubing.



**CM1 3101 GR
CM1 4101 GR
In-line receptacle**



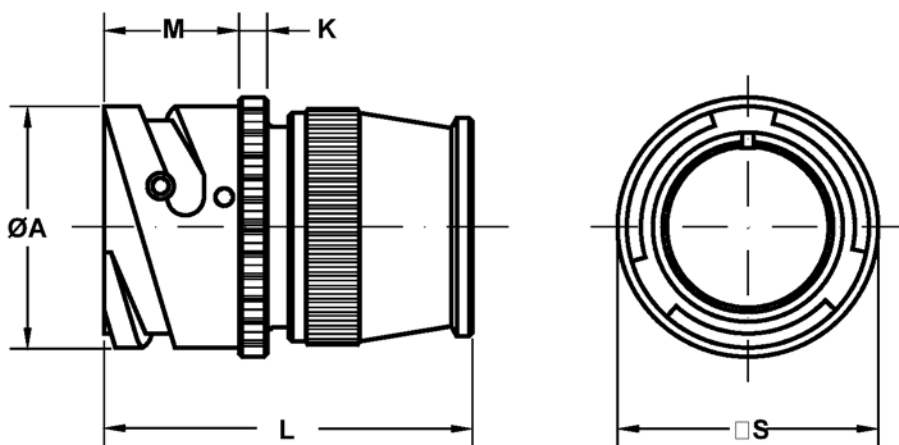
Shell size	ØA +0 -0.1	ØB min.	ØC ±0.1	ØD ±0.2	ØE ±0.2	J key	K ±0.2	L Max.	L1 Max.	M +0.2 -0	ØQ ±0.1
10 SL	18.2	8.5	13.0	15.5	17.0	20	2.8	52.7	8.2	14.3	21.8
14 S	24.5	12.0	16.5	19.1	20.1	23	3.3	53.4	8.2	14.5	28.8
16 S	27.2	14.5	21.5	23.9	23.5	26	3.3	53.4	8.2	14.5	30.5
16	27.2	14.5	21.5	23.9	23.5	26	3.3	65.8	8.0	19.1	30.5
18	30.7	17.5	21.7	23.9	26.5	28	4.0	65.8	8.0	19.1	33.8
20	34.0	19.5	26.0	29.6	30.5	32	4.0	66.1	8.9	19.1	36.9
22	37.3	22.0	26.0	29.6	33.6	36	4.0	66.1	8.9	19.6	39.5
24	40.9	25.0	34.5	37.8	36.1	39	4.0	65.7	9.2	20.6	43.9
28	46.7	29.0	34.5	37.8	41.4	46	4.0	66.2	9.2	20.7	48.4
32	53.4	34.0	43.6	47.8	48.6	52	4.0	73.8	11.7	22.3	56.0
36	59.6	38.5	43.6	47.8	54.8	58	4.0	83.8	11.7	22.3	62.4
40	65.5	48.0	52.6	57.8	60.9	65	4.0	83.8	11.7	22.3	68.6

In-line receptacle.
Includes wire sealing grommet and backshell
with rotating clamp nut for heat shrink tubing.



**CM1 3101 RS
CM1 4101 RS**

In-line receptacle



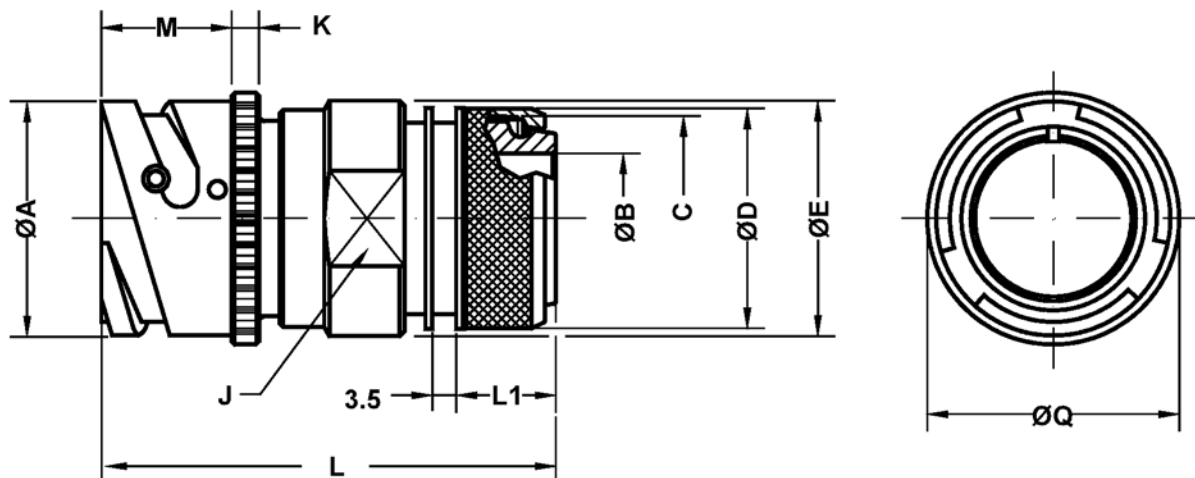
Shell size	ØA +0 -0.1	K ±0.2	L Max.	M +0.2 -0	ØQ ±0.1
10 SL	18.2	2.8	38.0	14.3	21.8
14 S	24.5	3.3	47.5	14.5	38.8
16 S	27.2	3.3	45.5	14.5	30.5
16	27.2	3.3	55.5	19.1	30.5
18	30.7	4.0	55.5	19.1	33.8
20	34.0	4.0	55.5	19.1	36.9
22	37.3	4.0	55.5	19.6	39.5
24	40.9	4.0	58.5	20.6	43.9
28	46.7	4.0	58.5	20.7	48.4
32	53.4	4.0	58.5	22.3	56.0
36	59.6	4.0	58.5	22.3	62.4
40	65.5	4.0	58.5	22.3	68.6

In-line receptacle.
Includes wire sealing grommet and
backshell. For use with individual wires.



**CM1 3101 SP
CM1 4101 SP**

In-line receptacle



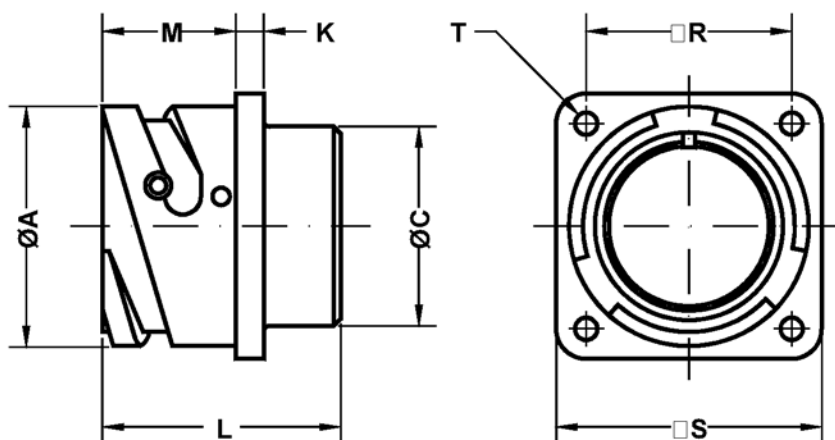
Shell size	ØA +0 -0.1	ØB min.	C thread	ØD ±0.2	ØE ±0.2	J key	K ±0.2	L Max.	L1 Max.	M +0.2 -0	ØQ ±0.1
10 SL	18.2	8.5	M16 x 1	18.5	22.0	20	2.8	52.0	13.5	14.3	21.8
14 S	24.5	12.0	M20 x 1	22.3	25.0	23	3.3	52.0	13.5	14.5	28.8
16 S	27.2	14.5	M23 x 1	25.3	28.0	26	3.3	54.0	14.6	14.5	30.5
16	27.2	14.5	M23 x 1	25.3	28.0	26	3.3	63.0	14.6	19.1	30.5
18	30.7	17.5	M26 x 1	28.0	30.0	28	4.0	64.5	14.6	19.1	33.8
20	34.0	19.5	M30 x 1	32.3	34.5	32	4.0	64.5	14.6	19.1	36.9
22	37.3	22.0	M32 x 1	34.3	38.0	36	4.0	64.5	14.6	19.6	39.5
24	40.9	25.0	M36 x 1	38.3	41.0	39	4.0	66.0	14.6	20.6	43.9
28	46.7	29.0	M39 x 1	41.2	48.0	46	4.0	66.0	14.6	20.7	48.4
32	53.4	34.0	M45 x 1	48.3	54.0	52	4.0	67.5	14.6	22.3	56.0
36	59.6	38.5	M52 x 1	55.0	61.0	58	4.0	68.0	15.5	22.3	62.4
40	65.5	48.0	M59 x 1	62.0	68.0	65	4.0	68.0	15.5	22.3	68.6

In-line receptacle.

Includes wire sealing grommet and backshell with rotating clamp nut. Shielded cable is terminated with a “braid trap” nut and heat shrink tubing (optional).



CM1 3102 A / CM1 3102 E / CM1 3102 R
CM1 4102 A / CM1 4102 E / CM1 4102 R
Box mounting receptacle



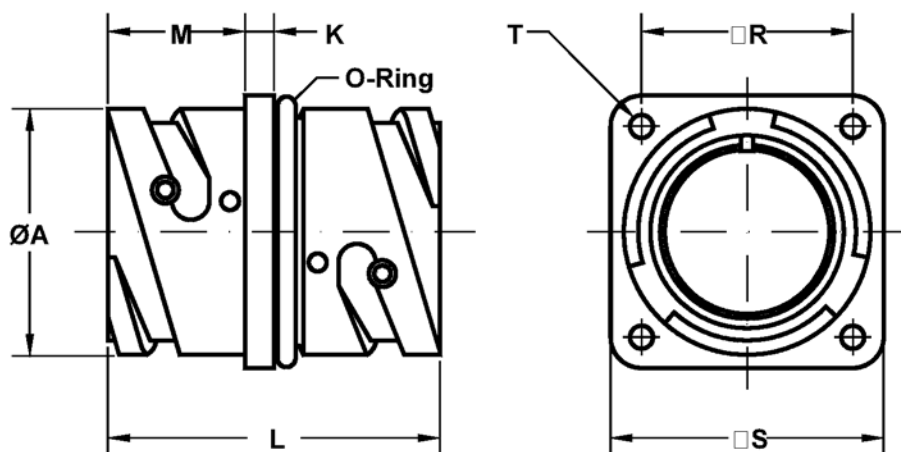
Shell size	$\varnothing A$ +0 -0.1	$\varnothing C$ Max.	K ± 0.2	L Max.	M +0.2 -0	R ± 0.1	S +0.2	$\varnothing T$ +0.1 -0
10 SL	18.2	16.2	2.8	24.7	14.3	18.25	25.4	3.2
14 S	24.5	19.2	3.3	24.7	14.5	23.00	30.4	3.2
16 S	27.2	22.4	3.3	24.7	14.5	24.60	32.5	3.2
16	27.2	22.4	3.3	33.8	19.1	24.60	32.5	3.2
18	30.7	25.6	4.0	34.5	19.1	27.00	35.0	3.2
20	34.0	29.0	4.0	34.5	19.1	29.40	38.0	3.2
22	37.3	32.2	4.0	34.5	19.6	31.75	41.0	3.2
24	40.9	35.3	4.0	35.7	20.6	34.90	44.5	3.7
28	46.7	41.4	4.0	35.7	20.7	39.70	50.9	3.7
32	53.4	47.8	4.0	37.3	22.3	44.45	57.0	4.3
36	59.6	54.1	4.0	37.3	22.3	49.20	63.5	4.3
40	65.5	59.0	4.0	37.3	22.3	55.55	69.9	4.3

Box mounting square flange receptacle.
 Class A: for general use,
 Class E, R: for environmental sealing.



CM1 02 PP

Box mounting receptacle



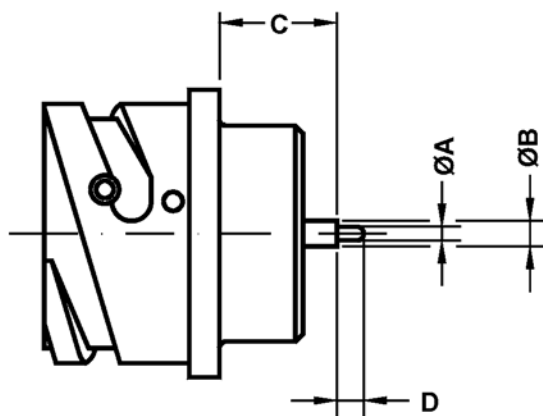
Shell size	ØA +0 -0.1	K ±0.2	L ±0.3	M +0.2 -0	R ±0.1	S +0.2	T thread
10 SL	18.2	2.8	37.5	14.3	18.25	25.4	M4
14 S	24.5	3.3	37.5	14.5	23.00	30.4	M4
16 S	27.2	3.3	37.5	14.5	24.60	32.5	M4
16	27.2	3.3	50.6	19.1	24.60	32.5	M4
18	30.7	4.0	51.4	19.1	27.00	35.0	M4
20	34.0	4.0	51.4	19.1	29.40	38.0	M4
22	37.3	4.0	51.4	19.6	31.75	41.0	M4
24	40.9	4.0	51.4	20.6	34.90	44.5	M4
28	46.7	4.0	51.4	20.7	39.70	50.9	M5
32	53.4	4.0	51.4	22.3	44.45	57.0	M5
36	59.6	4.0	51.4	22.3	49.20	63.5	M5
40	65.5	4.0	51.4	22.3	55.55	69.9	M5

Through-bulkhead receptacle.



CM1 3102 Y

Box mounting receptacle

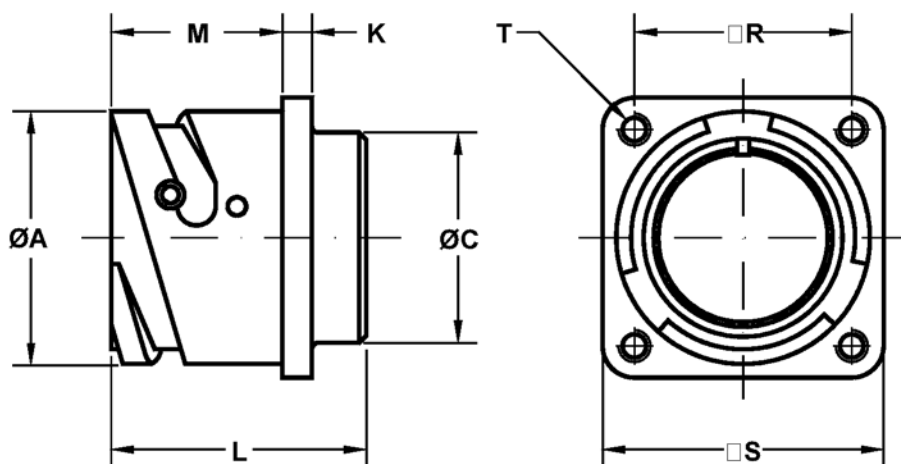


Shell size	DS1				Y #16				Y #12				YL5				
	A	B	C	D	A	B	C	D	A	B	C	D	A	B	C	D	
10 SL	0.8	1.8	13.80	3.6	-	-	-	-	-	-	-	-	-	-	-	-	-
14 S	0.8	1.8	12.40	3.6	-	-	-	-	-	-	-	-	-	-	-	-	-
16 S	0.8	1.8	12.40	3.6	-	-	-	-	-	-	-	-	-	-	-	-	-
16	0.8	1.8	14.60	3.6	0.8	1.8	17.85	3.5	1.8	3.4	17.85	3.5	0.8	1.8	17.85	5	
18	0.8	1.8	13.80	3.6	0.8	1.8	17.05	3.5	1.8	3.4	17.05	3.5	0.8	1.8	17.05	5	
20	0.8	1.8	13.80	3.6	0.8	1.8	17.05	3.5	1.8	3.4	17.05	3.5	0.8	1.8	17.05	5	
22	0.8	1.8	13.30	3.6	0.8	1.8	16.55	3.5	1.8	3.4	16.55	3.5	0.8	1.8	16.55	5	
24	0.8	1.8	12.20	3.6	0.8	1.8	15.45	3.5	1.8	3.4	15.45	3.5	0.8	1.8	15.45	5	
28	0.8	1.8	13.00	3.6	0.8	1.8	16.25	3.5	1.8	3.4	16.25	3.5	0.8	1.8	16.25	5	
32	-	-	-	-	0.8	1.8	13.85	3.5	1.8	3.4	13.85	3.5	0.8	1.8	16.70	5	
36	-	-	-	-	0.8	1.8	13.85	3.5	1.8	3.4	13.85	3.5	0.8	1.8	16.70	5	
40	-	-	-	-	0.8	1.8	13.85	3.5	1.8	3.4	13.85	3.5	0.8	1.8	16.70	5	

Box mounting square flange receptacle with PCB contacts.



CM1 3103 A / CM1 3103 R
CM1 4103 A / CM1 4103 R
Box mounting receptacle



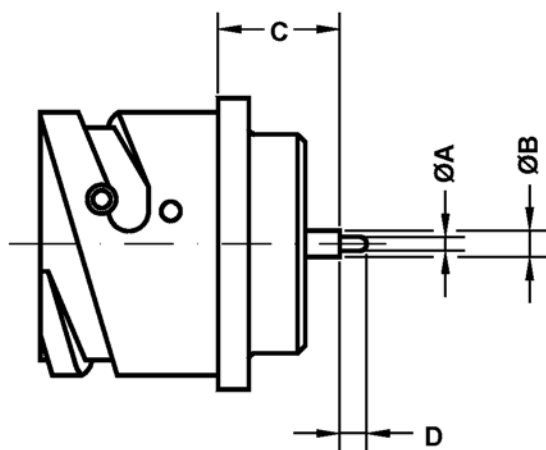
Shell size	ØA +0 -0.1	ØC Max.	K ±0.2	L Max.	M +0.2 -0	R ±0.1	S +0.2	T thread
10 SL	18.2	16.2	2.8	24.7	18.5	18.25	25.4	M4
14 S	24.5	19.2	3.3	24.7	18.5	23.00	30.4	M4
16 S	27.2	22.4	3.3	24.7	18.5	24.60	32.5	M4
16	27.2	22.4	3.3	33.8	23.2	24.60	32.5	M4
18	30.7	25.6	4.0	34.2	23.2	27.00	35.0	M4
20	34.0	29.0	4.0	34.5	23.2	29.40	38.0	M4
22	37.3	32.2	4.0	33.8	23.2	31.75	41.0	M4
24	40.9	35.3	4.0	34.5	23.2	34.90	44.5	M4
28	46.7	41.4	4.0	34.5	24.4	39.70	50.9	M5
32	53.4	47.8	4.0	33.8	24.2	44.45	57.0	M5
36	59.6	54.1	4.0	33.8	24.2	49.20	63.5	M5
40	65.5	59.0	4.0	33.8	24.4	55.55	69.9	M5

Square flange receptacle for rear panel mounting.



CM1 3103 Y

Box mounting receptacle

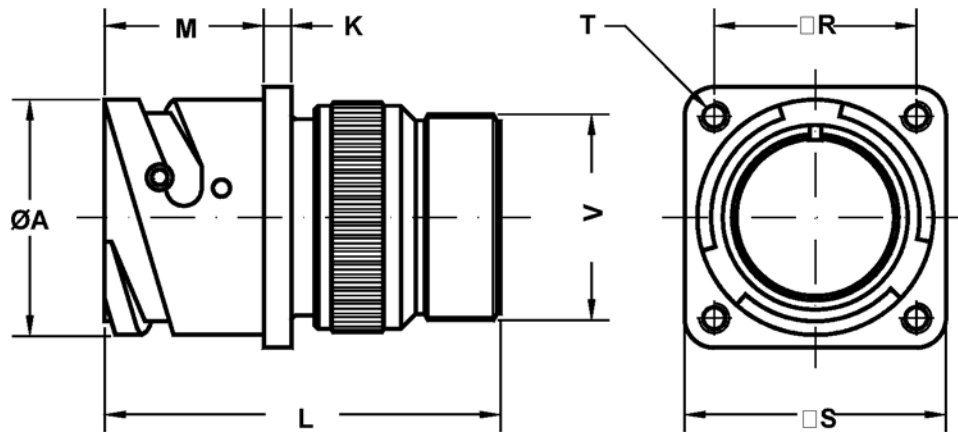


Shell size	DS1				Y #16				Y #12				YL5				
	A	B	C	D	A	B	C	D	A	B	C	D	A	B	C	D	
10 SL	0.8	1.8	12.40	3.6	-	-	-	-	-	-	-	-	-	-	-	-	-
14 S	0.8	1.8	11.70	3.6	-	-	-	-	-	-	-	-	-	-	-	-	-
16 S	0.8	1.8	11.70	3.6	-	-	-	-	-	-	-	-	-	-	-	-	-
16	0.8	1.8	13.60	3.6	0.8	1.8	16.85	3.5	1.8	3.4	16.85	3.5	0.8	1.8	16.85	5	
18	0.8	1.8	13.60	3.6	0.8	1.8	16.85	3.5	1.8	3.4	16.85	3.5	0.8	1.8	16.85	5	
20	0.8	1.8	13.60	3.6	0.8	1.8	16.85	3.5	1.8	3.4	16.85	3.5	0.8	1.8	16.85	5	
22	0.8	1.8	13.60	3.6	0.8	1.8	16.85	3.5	1.8	3.4	16.85	3.5	0.8	1.8	16.85	5	
24	0.8	1.8	13.60	3.6	0.8	1.8	16.85	3.5	1.8	3.4	16.85	3.5	0.8	1.8	16.85	5	
28	0.8	1.8	13.30	3.6	0.8	1.8	16.55	3.5	1.8	3.4	16.55	3.5	0.8	1.8	16.55	5	
32	-	-	-	-	0.8	1.8	15.95	3.5	1.8	3.4	15.95	3.5	0.8	1.8	18.80	5	
36	-	-	-	-	0.8	1.8	15.95	3.5	1.8	3.4	15.95	3.5	0.8	1.8	18.80	5	
40	-	-	-	-	0.8	1.8	15.75	3.5	1.8	3.4	15.75	3.5	0.8	1.8	18.60	5	

Box mounting square flange receptacle for rear panel mounting with PCB contacts.



CM1 31030 A
CM1 41030 A
Box mounting receptacle

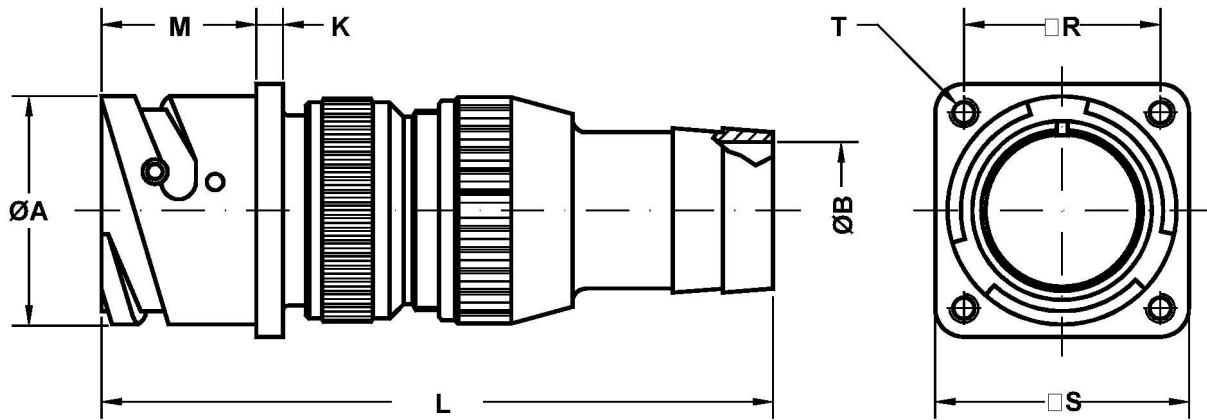


Shell size	ØA +0 -0.1	K ±0.2	L Max.	M +0.2 -0	R ±0.1	S +0.2	T thread	V thread
10 SL	18.2	2.8	49.0	18.5	18.25	25.4	M4	0.6250 - 24UNEF
14 S	24.5	3.3	51.5	18.5	23.00	30.4	M4	0.7500 - 20UNEF
16 S	27.2	3.3	51.5	18.5	24.60	32.5	M4	0.8750 - 20UNEF
16	27.2	3.3	63.0	23.2	24.60	32.5	M4	0.8750 - 20UNEF
18	30.7	4.0	63.0	23.2	27.00	35.0	M4	1.0000 - 20UNEF
20	34.0	4.0	63.0	23.2	29.40	38.0	M4	1.1875 - 18UNEF
22	37.3	4.0	63.0	23.2	31.75	41.0	M4	1.1875 - 18UNEF
24	40.9	4.0	64.5	23.2	34.90	44.5	M4	1.4375 - 18UNEF
28	46.7	4.0	71.0	24.4	39.70	50.9	M5	1.4375 - 18UNEF
32	53.4	4.0	76.5	24.2	44.45	57.0	M5	1.7500 - 18UNS
36	59.6	4.0	82.0	24.2	49.20	63.5	M5	2.0000 - 18UNS
40	65.5	4.0	82.0	24.4	55.55	69.9	M5	2.2500 - 16UN

Square flange receptacle for rear panel mounting.
 Includes backshell for cable clamp **CM3057-XX A/B/C**.
 No grommet supplied.



CM1 31030 A ... BR__
CM1 41030 A ... BR__
Box mounting receptacle



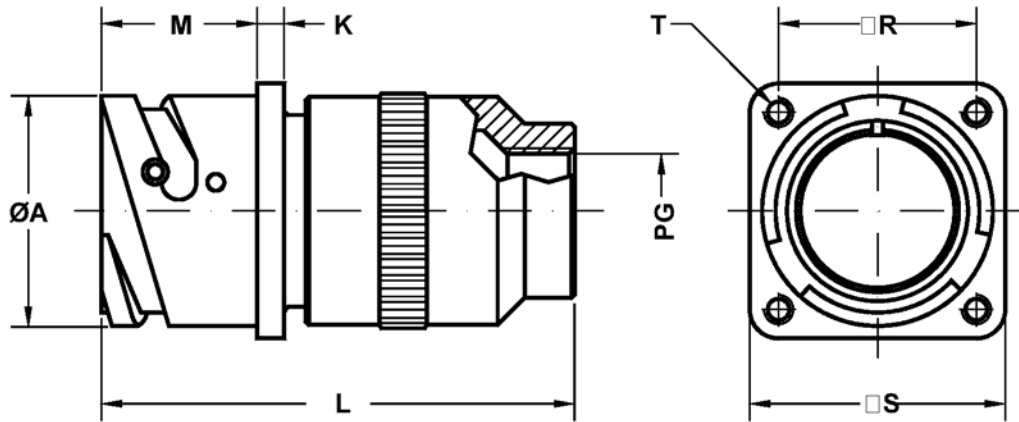
Shell size	ØA +0 -0.1	ØB ±0.1	K ±0.2	L Max.	M +0.2 -0	R ±0.1	S +0.2	T thread
10 SL	18.2		2.8	95.0	18.5	18.25	25.4	M4
14 S	24.5		3.3	96.5	18.5	23.00	30.4	M4
16 S	27.2		3.3	96.5	18.5	24.60	32.5	M4
16	27.2		3.3	108.0	23.2	24.60	32.5	M4
18	30.7		4.0	108.0	23.2	27.00	35.0	M4
20	34.0		4.0	108.0	23.2	29.40	38.0	M4
22	37.3		4.0	108.0	23.2	31.75	41.0	M4
24	40.9		4.0	109.5	23.2	34.90	44.5	M4
28	46.7		4.0	116.0	24.4	39.70	50.9	M5
32	53.4		4.0	121.5	24.2	44.45	57.0	M5
36	59.6		4.0	127.0	24.2	49.20	63.5	M5
40	65.5		4.0	127.0	24.4	55.55	69.9	M5

Square flange receptacle for rear panel mounting.
 Includes backshell and termination for UNI4883 rubber conduits.
 No grommet supplied.



CM1 31030 A ... PG__
 CM1 41030 A ... PG__

Box mounting receptacle



Shell size	ØA +0 -0.1	K ±0.2	L Max.	M +0.2 -0	PG thread	R ±0.1	S +0.2	T thread
10 SL	18.2	2.8	55.0	18.5	7 / 9 / 11	18.25	25.4	M4
14 S	24.5	3.3	57.5	18.5	11 / 13.5	23.00	30.4	M4
16 S	27.2	3.3	57.5	18.5	9 / 11 / 16	24.60	32.5	M4
16	27.2	3.3	66.0	23.2	9 / 11 / 16	24.60	32.5	M4
18	30.7	4.0	71.5	23.2	9 / 11 / 16 / 21	27.00	35.0	M4
20	34.0	4.0	74.5	23.2	11 / 16 / 21	29.40	38.0	M4
22	37.3	4.0	74.5	23.2	13.5 / 16 / 21	31.75	41.0	M4
24	40.9	4.0	76.5	23.2	13.5 / 16 / 21 / 29	34.90	44.5	M4
28	46.7	4.0	81.5	24.4	16 / 21 / 29	39.70	50.9	M5
32	53.4	4.0	87.5	24.2	21 / 29	44.45	57.0	M5
36	59.6	4.0	92.5	24.2	21 / 29 / 36	49.20	63.5	M5
40	65.5	4.0	97.5	24.4	29 / 36	55.55	69.9	M5

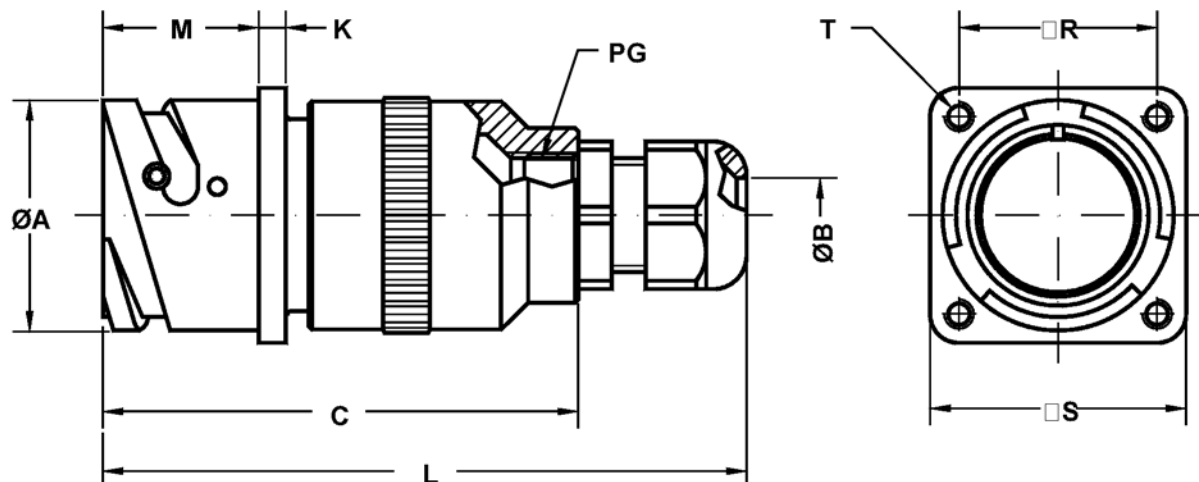
Square flange receptacle for rear panel mounting for use with PG cable glands (not included).

Other types of PG adaptors can be supplied in various sizes upon request.

No grommet supplied.



CM1 31030 A ... PH__
CM1 41030 A ... PH__
Box mounting receptacle

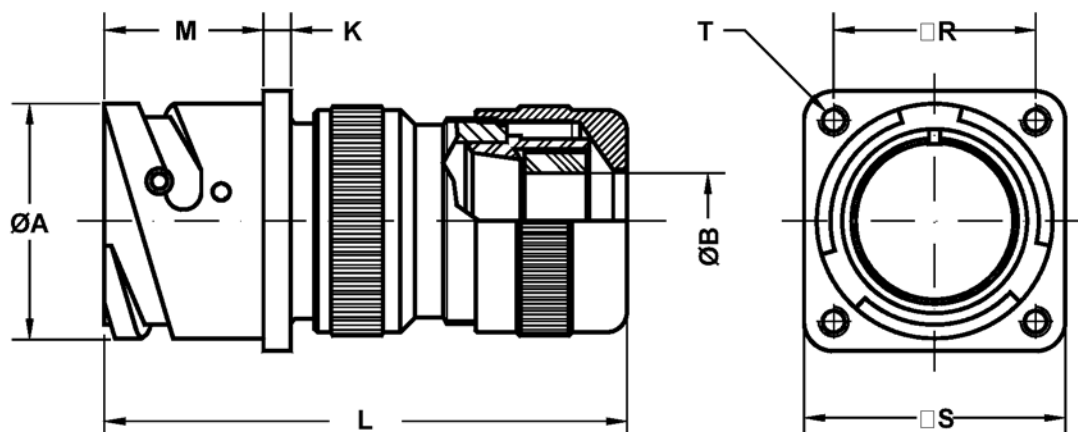


Shell size	ØA +0 -0.1	ØB min. ÷ Max.	C Max.	K ±0.2	L Max.	M +0.2 -0	PG thread	R ±0.1	S +0.2	T thread
10 SL	18.2	3÷6.5 / 4÷8 / 5÷10	55.0	2.8	81.0	18.5	7 / 9 / 11	18.25	25.4	M4
14 S	24.5	5÷10 / 6÷12	57.5	3.3	86.5	18.5	11 / 13.5	23.00	30.4	M4
16 S	27.2	4÷8 / 5÷10 / 9÷14	57.5	3.3	88.5	18.5	9 / 11 / 16	24.60	32.5	M4
16	27.2	4÷8 / 5÷10 / 9÷14	66.0	3.3	97.0	23.2	9 / 11 / 16	24.60	32.5	M4
18	30.7	4÷8 / 5÷10 / 9÷14 / 13÷18	71.5	4.0	106.5	23.2	9 / 11 / 16 / 21	27.00	35.0	M4
20	34.0	5÷10 / 9÷14 / 13÷18	74.5	4.0	109.5	23.2	11 / 16 / 21	29.40	38.0	M4
22	37.3	6÷12 / 9÷14 / 13÷18	74.5	4.0	109.5	23.2	13.5 / 16 / 21	31.75	41.0	M4
24	40.9	6÷12 / 9÷14 / 13÷18 / 15÷25	76.5	4.0	115.5	23.2	13.5 / 16 / 21 / 29	34.90	44.5	M4
28	46.7	9÷14 / 13÷18 / 15÷25	81.5	4.0	120.5	24.4	16 / 21 / 29	39.70	50.9	M5
32	53.4	13÷18 / 15÷25	87.5	4.0	126.5	24.2	21 / 29	44.45	57.0	M5
36	59.6	13÷18 / 15÷25 / 20÷32	92.5	4.0	141.5	24.2	21 / 29 / 36	49.20	63.5	M5
40	65.5	15÷25 / 20÷32	97.5	4.0	145.5	24.4	29 / 36	55.55	69.9	M5

Square flange receptacle for rear panel mounting with backshell and PG cable gland. Other types of PG adaptors can be supplied in various sizes upon request. No grommet supplied.



CM1 31030 A ... PHM _ _
CM1 41030 A ... PHM _ _
Box mounting receptacle

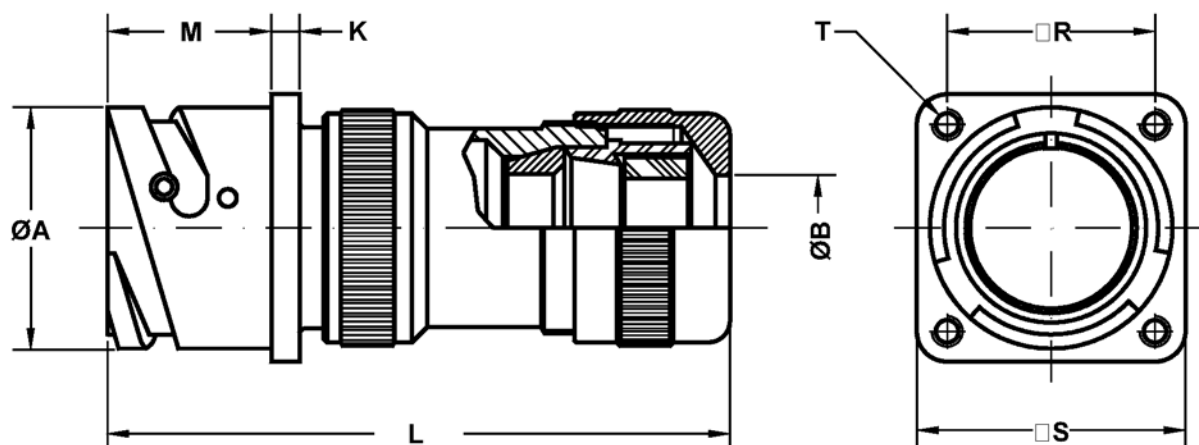


Shell size	P.N. PHM	ØA +0 -0.1	ØB min. ÷ Max.	K ±0.2	L Max.	M +0.2 -0	R ±0.1	S +0.2	T thread
10 SL	11	18.2	2÷11	2.8	65	18.5	18.25	25.4	M4
14 S	11	24.5	2÷11	3.3	65	18.5	23.00	30.4	M4
16 S	11	27.2	2÷11	3.3	65	18.5	24.60	32.5	M4
16	11	27.2	2÷11	3.3	75	23.2	24.60	32.5	M4
18	11 / 18	30.7	2÷11 / 2÷16.5	4.0	75	23.2	27.00	35.0	M4
20	11 / 18	34.0	2÷11 / 2÷16.5	4.0	75	23.2	29.40	38.0	M4
22	18	37.3	2÷16.5	4.0	75	23.2	31.75	41.0	M4
24	18 / 22 / 24	40.9	2÷16.5 / 15÷20 / 19÷24	4.0	85	23.2	34.90	44.5	M4
28	18 / 22 / 24	46.7	2÷16.5 / 15÷20 / 19÷24	4.0	85	24.4	39.70	50.9	M5
32	22 / 24	53.4	15÷20 / 19÷24	4.0	85	24.2	44.45	57.0	M5
36	35	59.6	23÷35	4.0	100	24.2	49.20	63.5	M5
40	35	65.5	23÷35	4.0	100	24.4	55.55	69.9	M5

Square flange receptacle for rear panel mounting.
 Includes a PHM cable clamp that assures an excellent mechanical and waterproof seal if used with the correct neoprene sealing sleeves.
 No grommet supplied.



CM1 31030 A ... PHM__ EMI
CM1 41030 A ... PHM__ EMI
Box mounting receptacle



Shell size	P.N. PHM	ØA +0 -0.1	ØB min. ÷ Max.	K ±0.2	L Max.	M +0.2 -0	R ±0.1	S +0.2	T thread
10 SL	11	18.2	2÷11	2.8	75	18.5	18.25	25.4	M4
14 S	11	24.5	2÷11	3.3	75	18.5	23.00	30.4	M4
16 S	11	27.2	2÷11	3.3	75	18.5	24.60	32.5	M4
16	11	27.2	2÷11	3.3	85	23.2	24.60	32.5	M4
18	11 / 18	30.7	2÷11 / 2÷16.5	4.0	85	23.2	27.00	35.0	M4
20	11 / 18	34.0	2÷11 / 2÷16.5	4.0	85	23.2	29.40	38.0	M4
22	18	37.3	2÷16.5	4.0	85	23.2	31.75	41.0	M4
24	18 / 22 / 24	40.9	2÷16.5 / 15÷20 / 19÷24	4.0	95	23.2	34.90	44.5	M4
28	18 / 22 / 24	46.7	2÷16.5 / 15÷20 / 19÷24	4.0	95	24.4	39.70	50.9	M5
32	22 / 24	53.4	15÷20 / 19÷24	4.0	95	24.2	44.45	57.0	M5
36	35	59.6	23÷35	4.0	110	24.2	49.20	63.5	M5
40	35	65.5	23÷35	4.0	110	24.4	55.55	69.9	M5

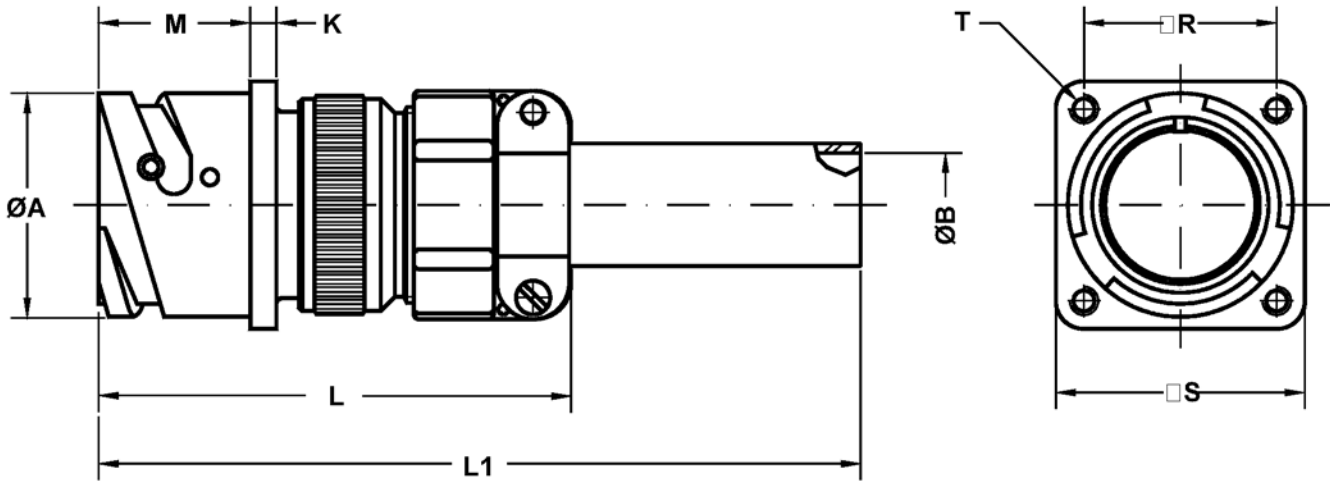
Square flange receptacle for rear panel mounting.

Includes a PHM cable clamp that assures an excellent mechanical and waterproof seal with multipolar shielded cables if used with the correct neoprene sealing sleeves.

No grommet supplied.



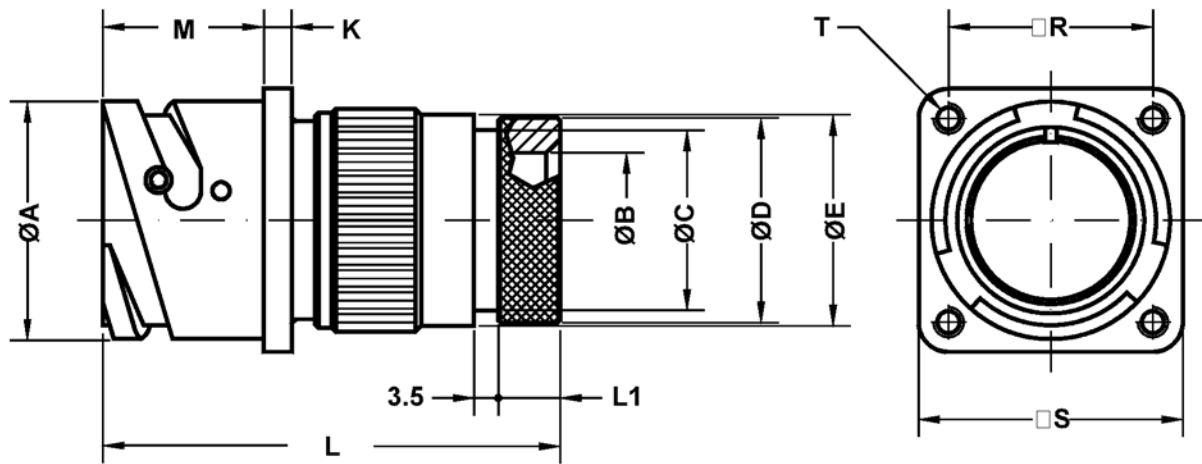
CM1 31030 F
CM1 41030 F
Box mounting receptacle



Shell size	ØA +0 -0.1	ØB ±0.1	K ±0.2	L Max.	L1 Max.	M +0.2 -0	R ±0.1	S +0.2	T thread
10 SL	18.2	5.58	2.8	60.0	130	18.5	18.25	25.4	M4
14 S	24.5	7.92	3.3	63.4	130	18.5	23.00	30.4	M4
16 S	27.2	11.09	3.3	65.4	130	18.5	24.60	32.5	M4
16	27.2	11.09	3.3	76.8	140	23.2	24.60	32.5	M4
18	30.7	14.27	4.0	82.8	145	23.2	27.00	35.0	M4
20	34.0	15.87	4.0	79.0	135	23.2	29.40	38.0	M4
22	37.3	15.87	4.0	79.0	135	23.2	31.75	41.0	M4
24	40.9	19.05	4.0	81.7	135	23.2	34.90	44.5	M4
28	46.7	19.05	4.0	88.2	140	24.4	39.70	50.9	M5
32	53.4	23.79	4.0	95.3	145	24.2	44.45	57.0	M5
36	59.6	31.75	4.0	101.8	150	24.2	49.20	63.5	M5
40	65.5	34.92	4.0	120.8	165	24.4	55.55	69.9	M5

Square flange receptacle for rear panel mounting.
 Includes insulating grommet, backshell, class A **CM3057** cable clamp and neoprene sleeve.
 No grommet supplied.

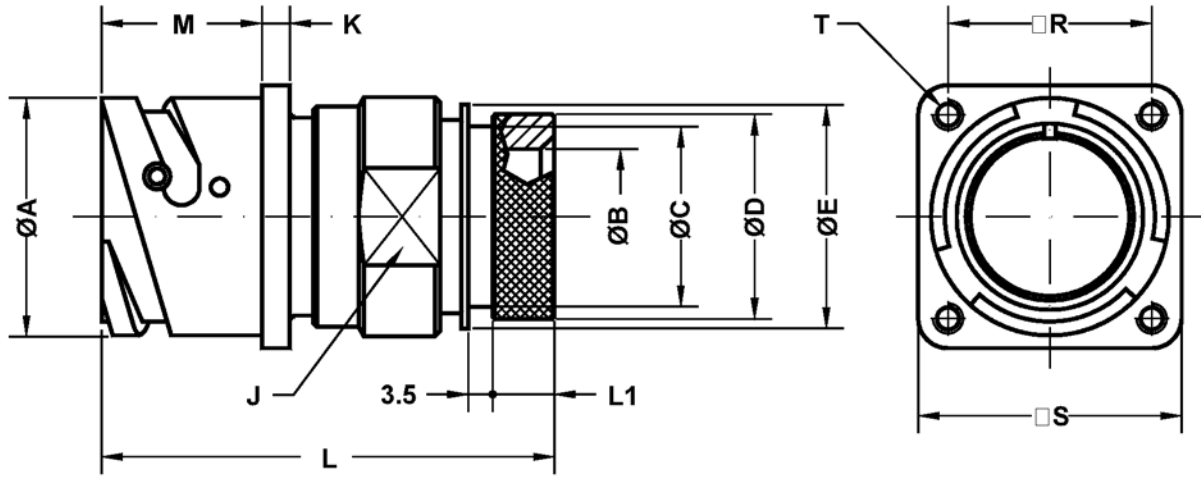
CM1 31030 G
CM1 41030 G
Box mounting receptacle



Shell size	ØA +0 -0.1	ØB min.	ØC ±0.1	ØD ±0.2	ØE ±0.2	K ±0.2	L Max.	L1 Max.	M +0.2 -0	R ±0.1	S +0.2	T thread
10 SL	18.2	8.5	13.0	15.5	17.0	2.8	57.5	8.2	18.5	18.25	25.4	M4
14 S	24.5	12.0	16.5	19.1	20.1	3.3	58.4	8.2	18.5	23.00	30.4	M4
16 S	27.2	14.5	21.5	23.9	23.5	3.3	58.4	8.2	18.5	24.60	32.5	M4
16	27.2	14.5	21.5	23.9	23.5	3.3	70.8	8.0	23.2	24.60	32.5	M4
18	30.7	17.5	21.7	23.9	26.5	4.0	70.8	8.0	23.2	27.00	35.0	M4
20	34.0	19.5	26.0	29.6	30.5	4.0	71.1	8.9	23.2	29.40	38.0	M4
22	37.3	22.0	26.0	29.6	33.6	4.0	71.1	8.9	23.2	31.75	41.0	M4
24	40.9	25.0	34.5	37.8	36.1	4.0	70.7	9.2	23.2	34.90	44.5	M4
28	46.7	29.0	34.5	37.8	41.4	4.0	71.2	9.2	24.4	39.70	50.9	M5
32	53.4	34.0	43.6	47.8	48.6	4.0	78.8	11.7	24.2	44.45	57.0	M5
36	59.6	38.5	43.6	47.8	54.8	4.0	88.8	11.7	24.2	49.20	63.5	M5
40	65.5	48.0	52.6	57.8	60.9	4.0	88.8	11.7	24.4	55.55	69.9	M5

Square flange receptacle for rear panel mounting.
 Includes wire sealing grommet and backshell for heat shrink tubing.

CM1 31030 GR
CM1 41030 GR
Box mounting receptacle

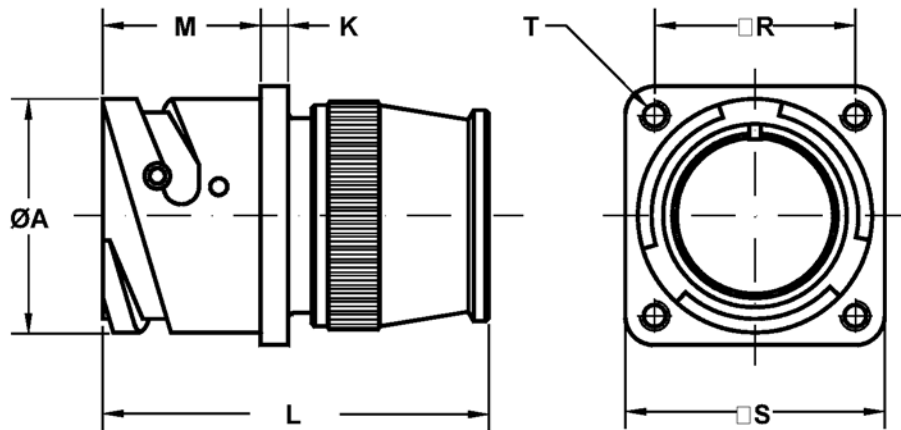


Shell size	$\varnothing A$ +0 -0.1	$\varnothing B$ min.	$\varnothing C$ ± 0.1	$\varnothing D$ ± 0.2	$\varnothing E$ ± 0.2	J key	K ± 0.2	L Max.	L1 Max.	M +0.2 -0	R ± 0.1	S +0.2	T thread
10 SL	18.2	8.5	13.0	15.5	17.0	20	2.8	57.7	8.2	18.5	18.25	25.4	M4
14 S	24.5	12.0	16.5	19.1	20.1	23	3.3	58.4	8.2	18.5	23.00	30.4	M4
16 S	27.2	14.5	21.5	23.9	23.5	26	3.3	58.4	8.2	18.5	24.60	32.5	M4
16	27.2	14.5	21.5	23.9	23.5	26	3.3	70.8	8.0	23.2	24.60	32.5	M4
18	30.7	17.5	21.7	23.9	26.5	28	4.0	70.8	8.0	23.2	27.00	35.0	M4
20	34.0	19.5	26.0	29.6	30.5	32	4.0	71.1	8.9	23.2	29.40	38.0	M4
22	37.3	22.0	26.0	29.6	33.6	36	4.0	71.1	8.9	23.2	31.75	41.0	M4
24	40.9	25.0	34.5	37.8	36.1	39	4.0	70.7	9.2	23.2	34.90	44.5	M4
28	46.7	29.0	34.5	37.8	41.4	46	4.0	71.2	9.2	24.4	39.70	50.9	M5
32	53.4	34.0	43.6	47.8	48.6	52	4.0	78.8	11.7	24.2	44.45	57.0	M5
36	59.6	38.5	43.6	47.8	54.8	58	4.0	88.8	11.7	24.2	49.20	63.5	M5
40	65.5	48.0	52.6	57.8	60.9	65	4.0	88.8	11.7	24.4	55.55	69.9	M5

Square flange receptacle for rear panel mounting.
 Includes wire sealing grommet and backshell with rotating clamp nut for heat shrink tubing.



CM1 31030 RS
CM1 41030 RS
Box mounting receptacle

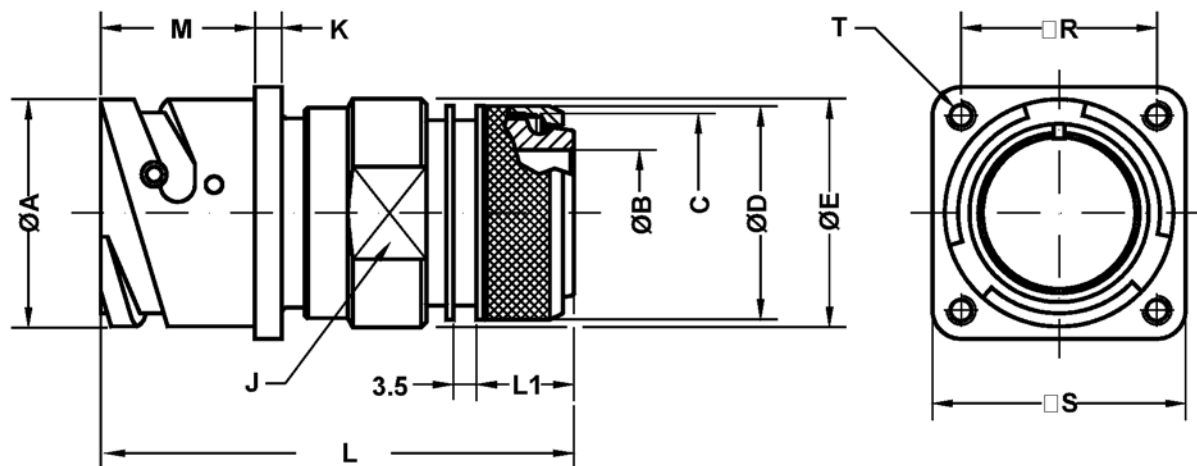


Shell size	ØA +0 -0.1	K ± 0.2	L Max.	M +0.2 -0	R ± 0.1	S +0.2	T thread
10 SL	18.2	2.8	43.0	18.5	18.25	25.4	M4
14 S	24.5	3.3	52.5	18.5	23.00	30.4	M4
16 S	27.2	3.3	50.5	18.5	24.60	32.5	M4
16	27.2	3.3	60.5	23.2	24.60	32.5	M4
18	30.7	4.0	60.5	23.2	27.00	35.0	M4
20	34.0	4.0	60.5	23.2	29.40	38.0	M4
22	37.3	4.0	60.5	23.2	31.75	41.0	M4
24	40.9	4.0	63.5	23.2	34.90	44.5	M4
28	46.7	4.0	63.5	24.4	39.70	50.9	M5
32	53.4	4.0	63.5	24.2	44.45	57.0	M5
36	59.6	4.0	63.5	24.2	49.20	63.5	M5
40	65.5	4.0	63.5	24.4	55.55	69.9	M5

Square flange receptacle for rear panel mounting.
 Includes wire sealing grommet and backshell. For use with individual wires.



CM1 31030 SP
CM1 41030 SP
Box mounting receptacle



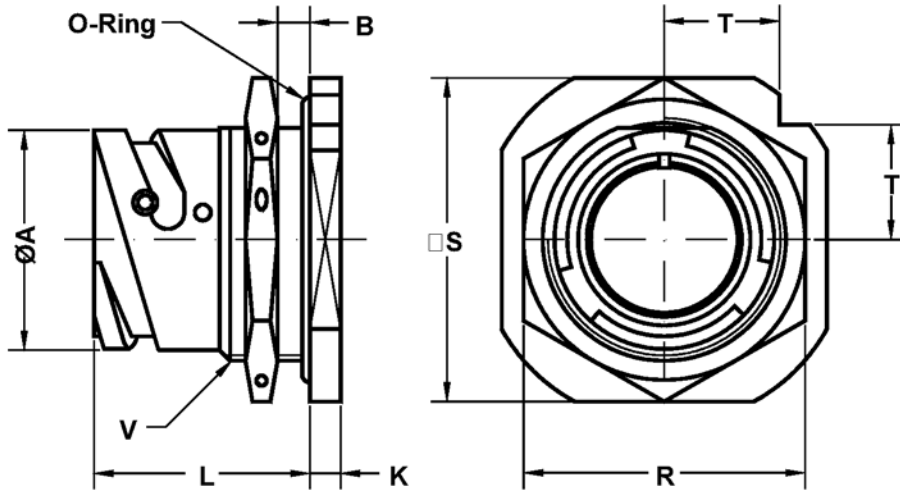
Shell size	ØA +0 -0.1	ØB min.	C thread	ØD ±0.2	ØE ±0.2	J key	K ±0.2	L Max.	L1 Max.	M +0.2 -0	R ±0.1	S +0.2	T thread
10 SL	18.2	8.5	M16 x 1	18.5	22.0	20	2.8	57.0	13.5	18.5	18.25	25.4	M4
14 S	24.5	12.0	M20 x 1	22.3	25.0	23	3.3	57.0	13.5	18.5	23.00	30.4	M4
16 S	27.2	14.5	M23 x 1	25.3	28.0	26	3.3	59.0	14.6	18.5	24.60	32.5	M4
16	27.2	14.5	M23 x 1	25.3	28.0	26	3.3	68.0	14.6	23.2	24.60	32.5	M4
18	30.7	17.5	M26 x 1	28.0	30.0	28	4.0	69.5	14.6	23.2	27.00	35.0	M4
20	34.0	19.5	M30 x 1	32.3	34.5	32	4.0	69.5	14.6	23.2	29.40	38.0	M4
22	37.3	22.0	M32 x 1	34.3	38.0	36	4.0	69.5	14.6	23.2	31.75	41.0	M4
24	40.9	25.0	M36 x 1	38.3	41.0	39	4.0	71.0	14.6	23.2	34.90	44.5	M4
28	46.7	29.0	M39 x 1	41.2	48.0	46	4.0	71.0	14.6	24.4	39.70	50.9	M5
32	53.4	34.0	M45 x 1	48.3	54.0	52	4.0	72.5	14.6	24.2	44.45	57.0	M5
36	59.6	38.5	M52 x 1	55.0	61.0	58	4.0	73.0	15.5	24.2	49.20	63.5	M5
40	65.5	48.0	M59 x 1	62.0	68.0	65	4.0	73.0	15.5	24.4	55.55	69.9	M5

Square flange receptacle for rear panel mounting.

Includes wire sealing grommet and backshell with rotating clamp nut. Shielded cable is terminated with a “braid trap” nut and heat shrink tubing (optional).



CM1 3107 A / CM1 3107 R
CM1 4107 A / CM1 4107 R
Jam nut receptacle



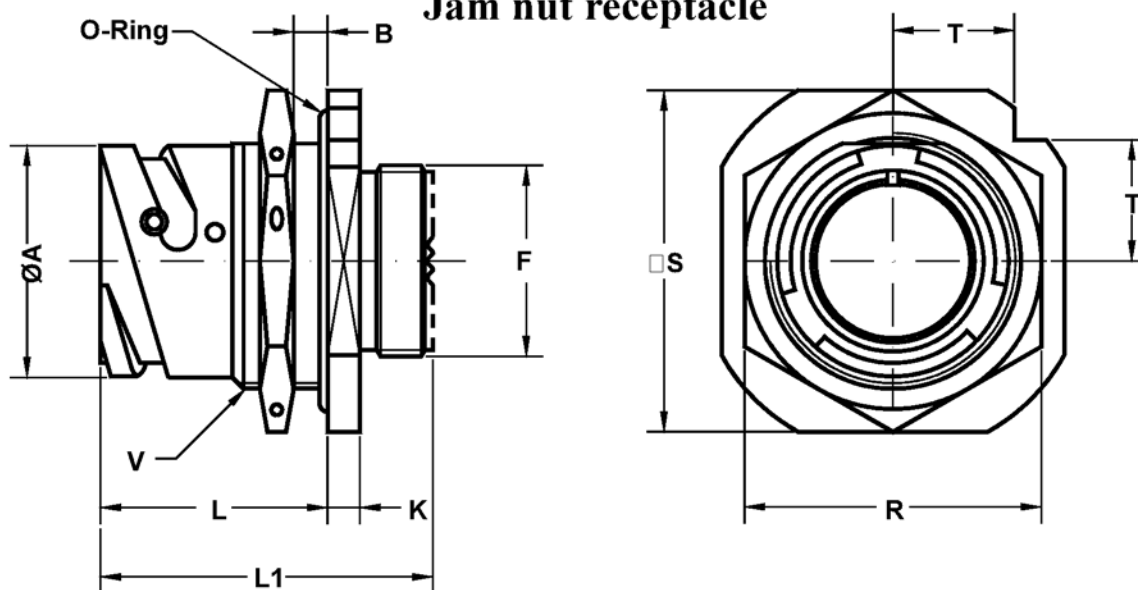
Shell size	ØA +0 -0.1	ØB		K ±0.2	L ±0.1	R key	S +0.2	T	V thread
		min.	Max.						
10 SL	18.2	2.4	5.2	4.0	24.5	27	31.8	11.2	0.8750 - 20UNEF
14 S	24.5	2.4	7.5	4.8	26.8	33	41.3	14.6	1.1250 - 18UNEF
16 S	27.2	2.4	7.5	4.8	26.8	38	44.4	15.7	1.2500 - 18UNEF
16	27.2	2.4	7.5	4.8	32.2	38	44.4	15.7	1.2500 - 18UNEF
18	30.7	2.4	9.0	4.8	33.7	40	47.6	16.8	1.3750 - 18 UNEF
20	34.0	2.4	9.0	4.8	33.7	44	50.8	18.0	1.5000 - 18UNEF
22	37.3	2.4	9.1	4.8	33.7	46	54.2	20.2	1.6250 - 18UNEF
24	40.9	2.4	9.1	4.8	33.7	51	57.2	20.2	1.7500 - 18UNS
28	46.7	2.4	8.5	5.6	35.2	55	63.5	22.5	2.0000 - 18UNS
32	53.4	2.4	6.5	5.6	35.2	62	69.8	24.7	2.2500 - 16UN
36	59.6	2.4	8.3	5.6	35.2	71	76.2	26.9	2.5000 - 16UN
40	65.5	2.4	8.3	5.6	35.2	75	83.5	29.6	2.7500 - 16UN

Jam nut receptacle for rear panel single hole mounting



CM1 31070 A / CM1 31070 R
CM1 41070 A / CM1 41070 R

Jam nut receptacle

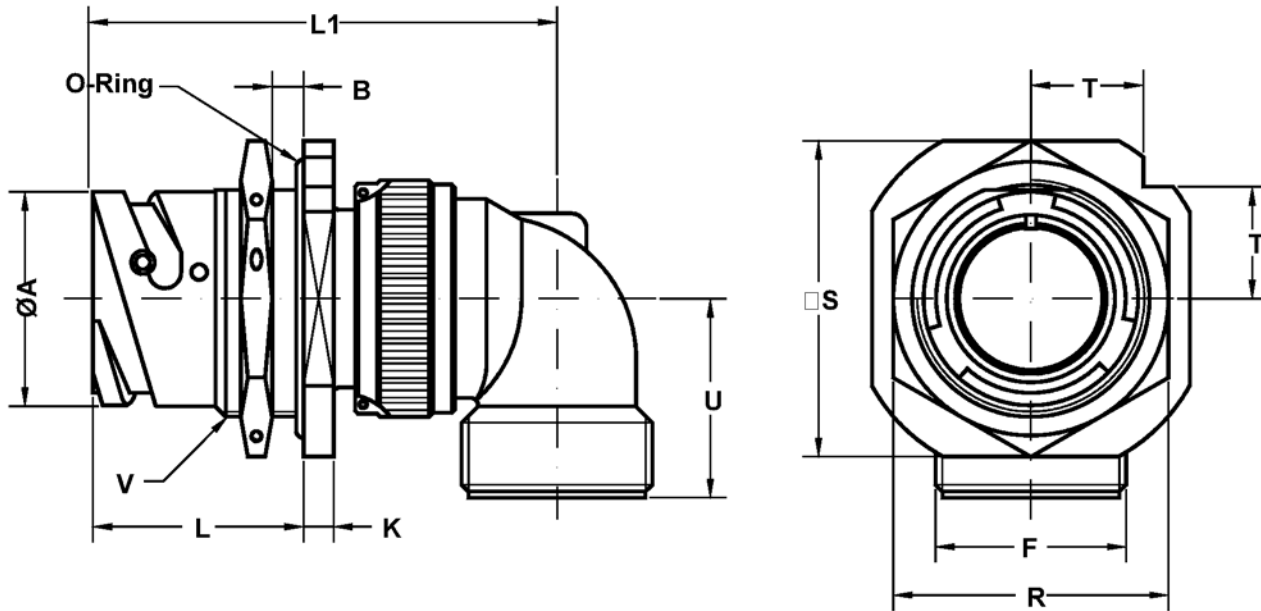


Shell size	ØA +0 -0.1	ØB		F thread	±0.2	K ±0.1	L ±0.25	L1 R key	S +0.2	T	V thread
		min.	Max.								
10 SL	18.2	2.4	5.2	0.6250 - 24UNEF	4.0	24.5	36.2	27	31.8	11.2	0.8750 - 20UNEF
14 S	24.5	2.4	7.5	0.7500 - 20UNEF	4.8	26.8	38.9	33	41.3	14.6	1.1250 - 18UNEF
16 S	27.2	2.4	7.5	0.8750 - 20UNEF	4.8	26.8	38.9	38	44.4	15.7	1.2500 - 18UNEF
16	27.2	2.4	7.5	0.8750 - 20UNEF	4.8	32.2	48.5	38	44.4	15.7	1.2500 - 18UNEF
18	30.7	2.4	9.0	1.0000 - 20UNEF	4.8	33.7	49.3	40	47.6	16.8	1.3750 - 18 UNEF
20	34.0	2.4	9.0	1.1250 - 18UNEF	4.8	33.7	49.3	44	50.8	18.0	1.5000 - 18UNEF
22	37.3	2.4	9.1	1.2500 - 18UNEF	4.8	33.7	49.3	46	54.2	20.2	1.6250 - 18UNEF
24	40.9	2.4	9.1	1.3750 - 18 UNEF	4.8	33.7	49.3	51	57.2	20.2	1.7500 - 18UNS
28	46.7	2.4	8.5	1.6250 - 18UNEF	5.6	35.2	51.9	55	63.5	22.5	2.0000 - 18UNS
32	53.4	2.4	6.5	1.8750 - 16UN	5.6	35.2	51.9	62	69.8	24.7	2.2500 - 16UN
36	59.6	2.4	8.3	2.0625 - 16UNS	5.6	35.2	51.9	71	76.2	26.9	2.5000 - 16UN
40	65.5	2.4	8.3	2.3125 - 16UNS	5.6	35.2	51.9	75	83.5	29.6	2.7500 - 16UN

Jam nut receptacle for rear panel single hole mounting with rear thread for the use of various types of backshells.



CM1 31078 A / CM1 31078 R
CM1 41078 A / CM1 41078 R
Jam nut receptacle

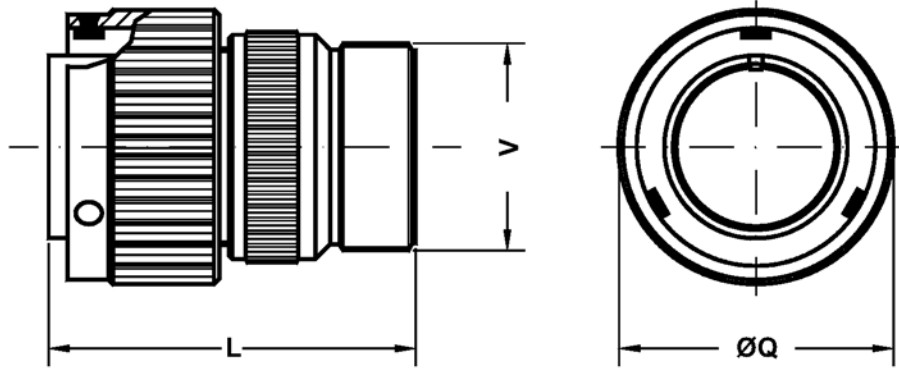


Shell size	ØA +0 -0.1	ØB		F thread	±0.2	±0.1	Max.	R key	S +0.2	T	U ±0.2	V thread
		min.	Max.									
10 SL	18.2	2.4	5.2	0.6250 - 24UNEF	4.0	24.5	50	27	31.8	11.2	25.0	0.8750 - 20UNEF
14 S	24.5	2.4	7.5	0.7500 - 20UNEF	4.8	26.8	55	33	41.3	14.6	26.5	1.1250 - 18UNEF
16 S	27.2	2.4	7.5	0.8750 - 20UNEF	4.8	26.8	58	38	44.4	15.7	27.0	1.2500 - 18UNEF
16	27.2	2.4	7.5	0.8750 - 20UNEF	4.8	32.2	68	38	44.4	15.7	27.0	1.2500 - 18UNEF
18	30.7	2.4	9.0	1.0000 - 20UNEF	4.8	33.7	70	40	47.6	16.8	30.0	1.3750 - 18 UNEF
20	34.0	2.4	9.0	1.1875 - 18UNEF	4.8	33.7	75	44	50.8	18.0	32.0	1.5000 - 18UNEF
22	37.3	2.4	9.1	1.1875 - 18UNEF	4.8	33.7	75	46	54.2	20.2	32.0	1.6250 - 18UNEF
24	40.9	2.4	9.1	1.4375 - 18UNEF	4.8	33.7	79	51	57.2	20.2	37.0	1.7500 - 18UNS
28	46.7	2.4	8.5	1.4375 - 18UNEF	5.6	35.2	81	55	63.5	22.5	38.0	2.0000 - 18UNS
32	53.4	2.4	6.5	1.7500 - 18UNS	5.6	35.2	85	62	69.8	24.7	45.5	2.2500 - 16UN
36	59.6	2.4	8.3	2.0000 - 18UNS	5.6	35.2	88	71	76.2	26.9	47.2	2.5000 - 16UN
40	65.5	2.4	8.3	2.2500 - 16UN	5.6	35.2	91	75	83.5	29.6	52.0	2.7500 - 16UN

Jam nut receptacle for rear panel single hole mounting.
 Includes a 90° backshell and a wire sealing grommet in class R.



CM1 3106 A / CM1 3106 R
CM1 4106 A / CM1 4106 R
Straight plug

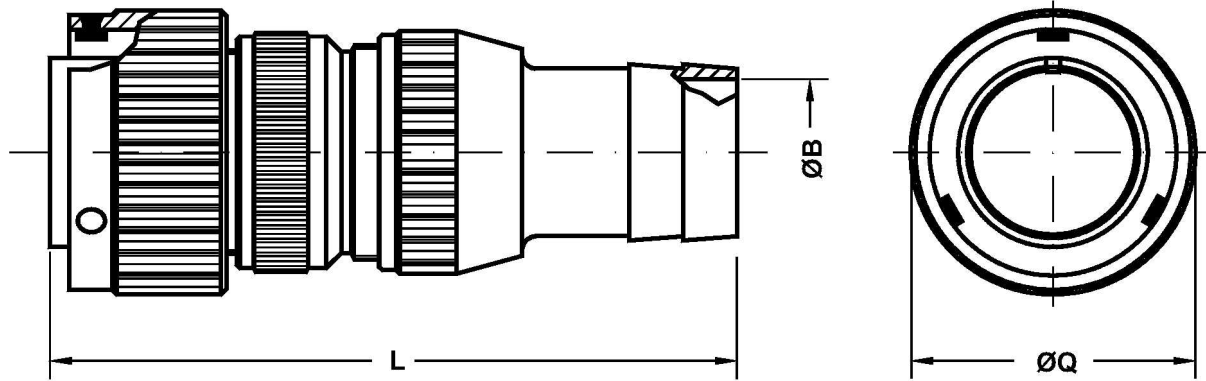


Shell size	L Max.	ØQ ±0.2	V thread
10 SL	44.0	22.6	0.6250 - 24UNEF
14 S	46.4	29.0	0.7500 - 20UNEF
16 S	46.4	31.6	0.8750 - 20UNEF
16	57.8	31.6	0.8750 - 20UNEF
18	57.8	36.2	1.0000 - 20UNEF
20	58.1	39.8	1.1875 - 18UNEF
22	58.1	43.0	1.1875 - 18UNEF
24	59.7	46.4	1.4375 - 18UNEF
28	66.2	53.0	1.4375 - 18UNEF
32	71.3	60.0	1.7500 - 18UNS
36	76.8	66.2	2.0000 - 18UNS
40	76.8	72.3	2.2500 - 16UN

Straight plug.
 Includes backshell for cable clamp
CM3057-XX A/B/C.
 No grommet supplied.



CM1 3106 A ... BR__
CM1 4106 A ... BR__
Straight plug

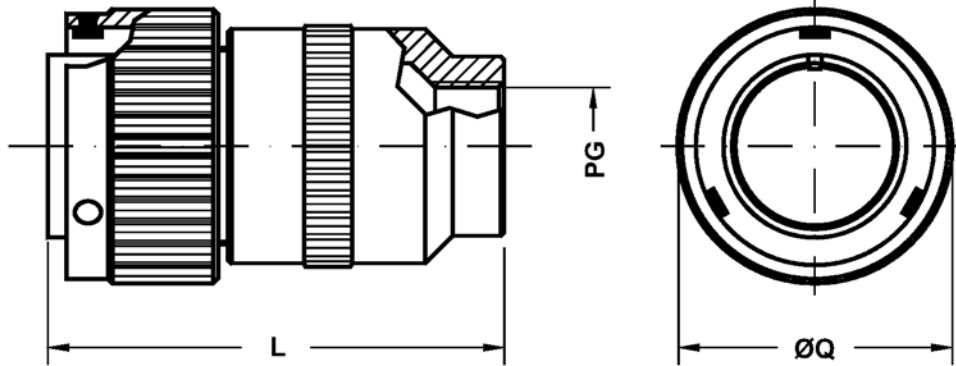


Shell size	ØB ±0.1	L Max.	ØQ ±0.2
10 SL		90.0	22.6
14 S		91.5	29.0
16 S		91.5	31.6
16		103.0	31.6
18		103.0	36.2
20		103.0	39.8
22		103.0	43.0
24		104.5	46.4
28		111.0	53.0
32		116.5	60.0
36		122.0	66.2
40		122.0	72.3

Straight plug.
 Includes backshell and termination for
 UNI4883 rubber conduits.
 No grommet supplied.



CM1 3106 A ... PG __
 CM1 4106 A ... PG __
Straight plug

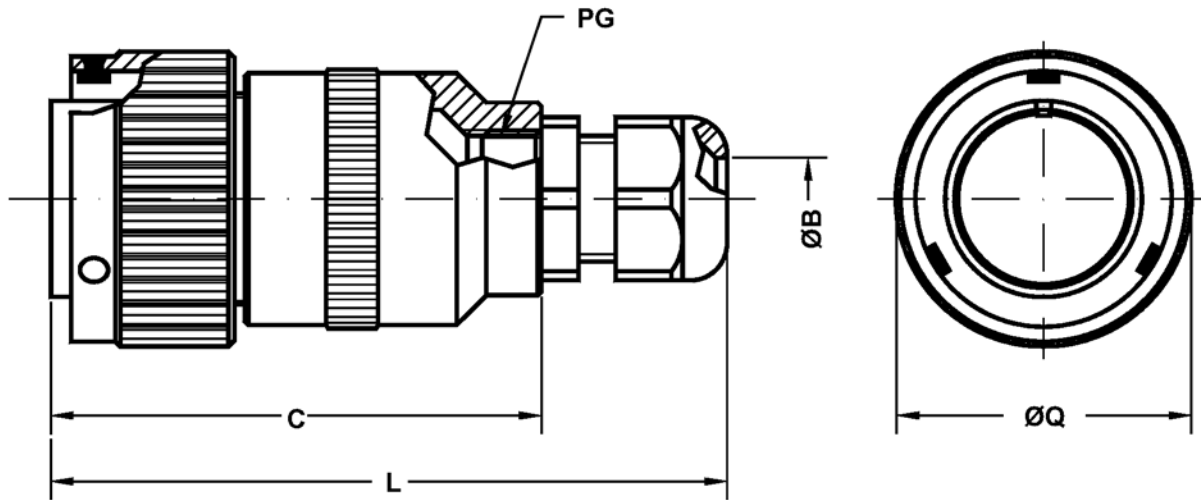


Shell size	L Max.	PG thread	ØQ ±0.2
10 SL	50.0	7 / 9 / 11	22.6
14 S	52.5	11 / 13.5	29.0
16 S	52.5	9 / 11 / 16	31.6
16	61.0	9 / 11 / 16	31.6
18	66.5	9 / 11 / 16 / 21	36.2
20	69.5	11 / 16 / 21	39.8
22	69.5	13.5 / 16 / 21	43.0
24	71.5	13.5 / 16 / 21 / 29	46.4
28	76.5	16 / 21 / 29	53.0
32	82.5	21 / 29	60.0
36	87.5	21 / 29 / 36	66.2
40	92.5	29 / 36	72.3

Straight plug with backshell for use with PG cable glands (not included).
 Other types of PG adaptors can be supplied in various sizes upon request.
 No grommet supplied.



CM1 3106 A ... PH__
CM1 4106 A ... PH__
Straight plug



Shell size	ØB min. ÷ Max.	C Max.	L Max.	PG thread	ØQ ±0.2
10 SL	3÷6.5 / 4÷8 / 5÷10	50.0	76.0	7 / 9 / 11	22.6
14 S	5÷10 / 6÷12	52.5	81.5	11 / 13.5	29.0
16 S	4÷8 / 5÷10 / 9÷14	52.5	83.5	9 / 11 / 16	31.6
16	4÷8 / 5÷10 / 9÷14	61.0	92.0	9 / 11 / 16	31.6
18	4÷8 / 5÷10 / 9÷14 / 13÷18	66.5	101.5	9 / 11 / 16 / 21	36.2
20	5÷10 / 9÷14 / 13÷18	69.5	104.5	11 / 16 / 21	39.8
22	6÷12 / 9÷14 / 13÷18	69.5	104.5	13.5 / 16 / 21	43.0
24	6÷12 / 9÷14 / 13÷18 / 15÷25	71.5	110.5	13.5 / 16 / 21 / 29	46.4
28	9÷14 / 13÷18 / 15÷25	76.5	115.5	16 / 21 / 29	53.0
32	13÷18 / 15÷25	82.5	121.5	21 / 29	60.0
36	13÷18 / 15÷25 / 20÷32	87.5	136.5	21 / 29 / 36	66.2
40	15÷25 / 20÷32	92.5	141.5	29 / 36	72.3

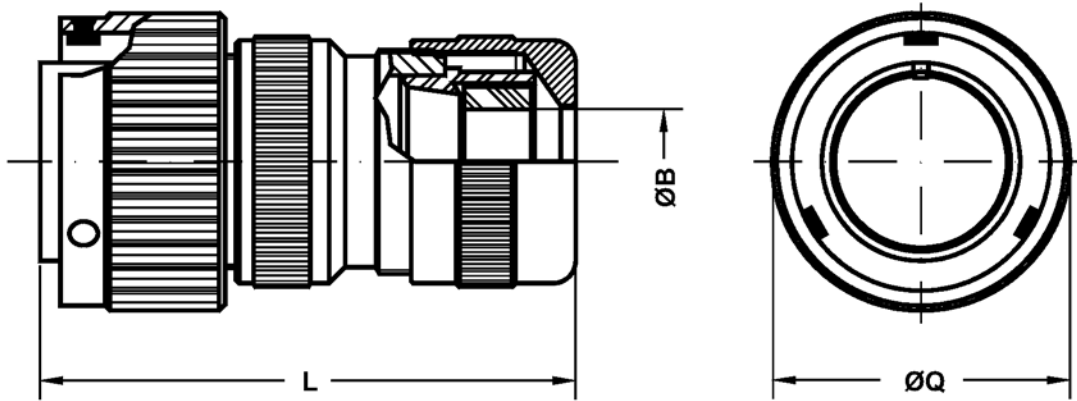
Straight plug with backshell and PG cable gland.

Other types of PG adaptors can be supplied in various sizes upon request.

No grommet supplied.



CM1 3106 A ... PHM__
CM1 4106 A ... PHM__
Straight plug

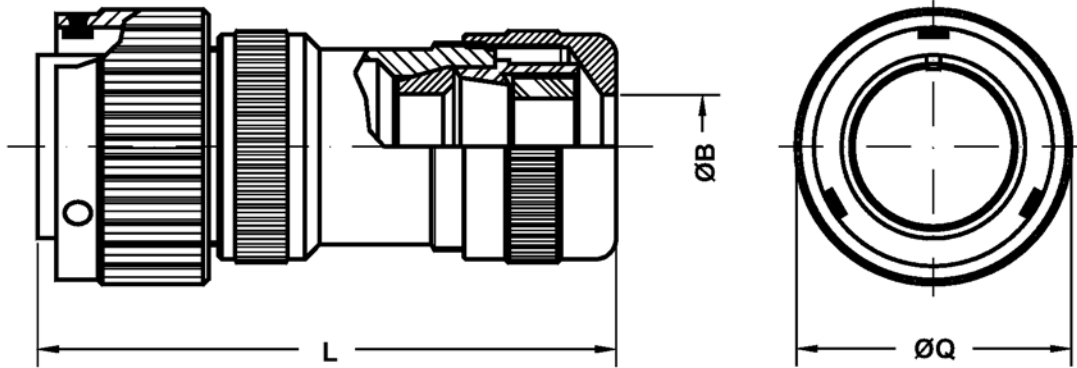


Shell size	P.N. PHM	ØB min. ÷ Max.	L Max.	ØQ ±0.2
10 SL	11	2÷11	60	22.6
14 S	11	2÷11	60	29.0
16 S	11	2÷11	60	31.6
16	11	2÷11	70	31.6
18	11 / 18	2÷11 / 2÷16.5	70	36.2
20	11 / 18	2÷11 / 2÷16.5	70	39.8
22	18	2÷16.5	70	43.0
24	18 / 22 / 24	2÷16.5 / 15÷20 / 19÷24	80	46.4
28	18 / 22 / 24	2÷16.5 / 15÷20 / 19÷24	80	53.0
32	22 / 24	15÷20 / 19÷24	80	60.0
36	35	23÷35	95	66.2
40	35	23÷35	95	72.3

Straight plug complete with a PHM cable clamp that assures an excellent mechanical and waterproof seal if used with the correct neoprene sealing sleeves.
 No grommet supplied.



CM1 3106 A ... PHM__ EMI
 CM1 4106 A ... PHM__ EMI
 Straight plug

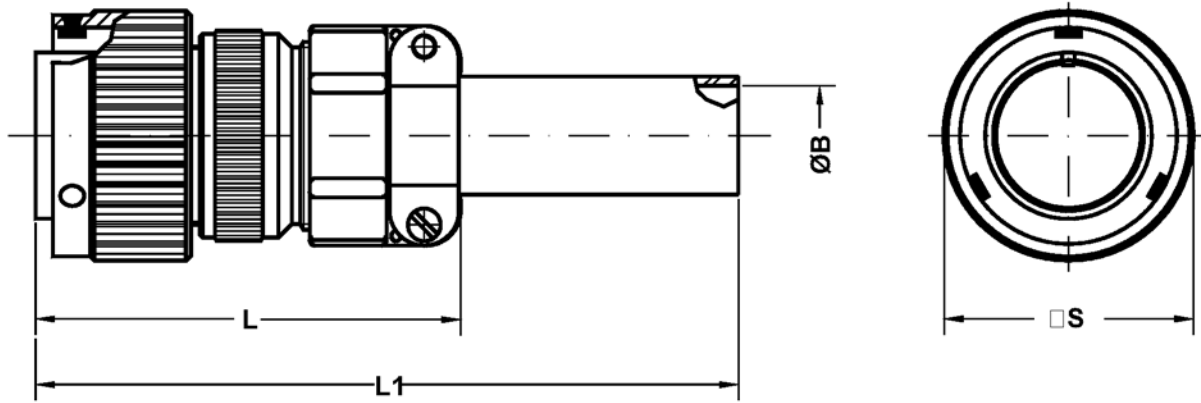


Shell size	P.N. PHM	ØB min. ÷ Max.	L Max.	ØQ ±0.2
10 SL	11	2÷11	70	22.6
14 S	11	2÷11	70	29.0
16 S	11	2÷11	70	31.6
16	11	2÷11	80	31.6
18	11 / 18	2÷11 / 2÷16.5	80	36.2
20	11 / 18	2÷11 / 2÷16.5	80	39.8
22	18	2÷16.5	80	43.0
24	18 / 22 / 24	2÷16.5 / 15÷20 / 19÷24	90	46.4
28	18 / 22 / 24	2÷16.5 / 15÷20 / 19÷24	90	53.0
32	22 / 24	15÷20 / 19÷24	90	60.0
36	35	23÷35	105	66.2
40	35	23÷35	105	72.3

Straight plug complete with a PHM cable clamp that assures an excellent mechanical and waterproof seal with multipolar shielded cables if used with the correct neoprene sealing sleeves.
 No grommet supplied.



CM1 3106 F
CM1 4106 F
Straight plug

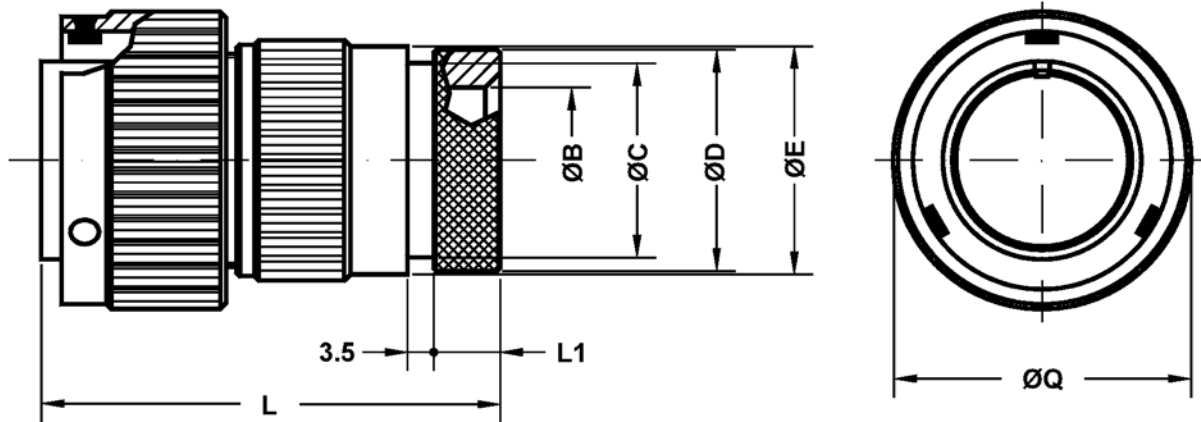


Shell size	ØB ±0.1	L Max.	L1 Max.	ØQ ±0.2
10 SL	5.58	55.0	125	22.6
14 S	7.92	58.4	125	29.0
16 S	11.09	60.4	125	31.6
16	11.09	71.8	135	31.6
18	14.27	77.8	140	36.2
20	15.87	74.0	130	39.8
22	15.87	74.0	130	43.0
24	19.05	76.7	130	46.4
28	19.05	83.2	135	53.0
32	23.79	90.3	140	60.0
36	31.75	96.8	145	66.2
40	34.92	115.8	160	72.3

Straight plug.
Includes insulating grommet, backshell,
class A **CM3057** cable clamp and neoprene
sleeve.
No grommet supplied.



**CM1 3106 G
CM1 4106 G
Straight plug**

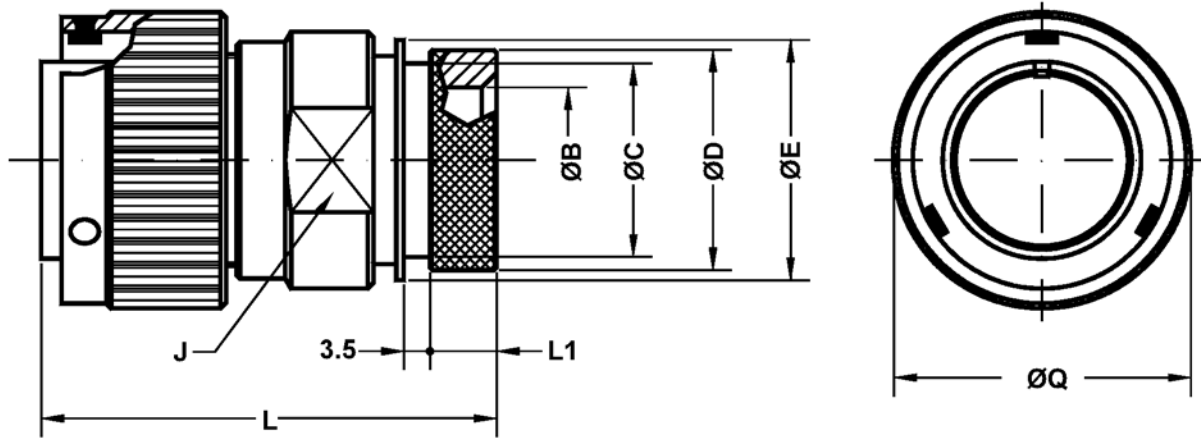


Shell size	ØB min.	ØC ±0.1	ØD ±0.2	ØE ±0.2	L Max.	L1 Max.	ØQ ±0.2
10 SL	8.5	13.0	15.5	17.0	52.7	8.2	22.6
14 S	12.0	16.5	19.1	20.1	53.4	8.2	29.0
16 S	14.5	21.5	23.9	23.5	53.4	8.2	31.6
16	14.5	21.5	23.9	23.5	65.8	8.0	31.6
18	17.5	21.7	23.9	26.5	65.8	8.0	36.2
20	19.5	26.0	29.6	30.5	66.1	8.9	39.8
22	22.0	26.0	29.6	33.6	66.1	8.9	43.0
24	25.0	34.5	37.8	36.1	65.7	9.2	46.4
28	29.0	34.5	37.8	41.4	66.2	9.2	53.0
32	34.0	43.6	47.8	48.6	73.8	11.7	60.0
36	38.5	43.6	47.8	54.8	83.8	11.7	66.2
40	48.0	52.6	57.8	60.9	83.8	11.7	72.3

Straight plug.
Includes wire sealing grommet and backshell
for heat shrink tubing.



**CM1 3106 GR
CM1 4106 GR
Straight plug**

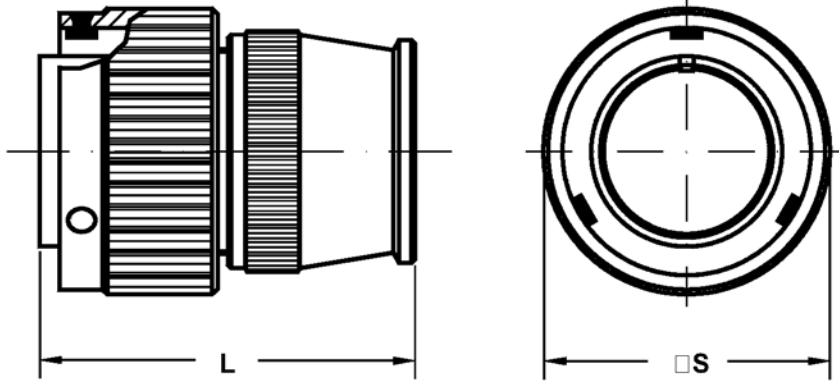


Shell size	ØB min.	ØC ±0.1	ØD ±0.2	ØE ±0.2	J key	L Max.	L1 Max.	ØQ ±0.2
10 SL	8.5	13.0	15.5	17.0	20	50.0	8.2	22.6
14 S	12.0	16.5	19.1	20.1	23	50.0	8.2	29.0
16 S	14.5	21.5	23.9	23.5	26	50.0	8.2	31.6
16	14.5	21.5	23.9	23.5	26	56.5	8.0	31.6
18	17.5	21.7	23.9	26.5	28	59.5	8.0	36.2
20	19.5	26.0	29.6	30.5	32	59.5	8.9	39.8
22	22.0	26.0	29.6	33.6	36	59.5	8.9	43.0
24	25.0	34.5	37.8	36.1	39	60.5	9.2	46.4
28	29.0	34.5	37.8	41.4	46	61.5	9.2	53.0
32	34.0	43.6	47.8	48.6	52	65.5	11.7	60.0
36	38.5	43.6	47.8	54.8	58	65.5	11.7	66.2
40	48.0	52.6	57.8	60.9	65	65.5	11.7	72.3

Straight plug.
Includes wire sealing grommet and backshell
with rotating clamp nut for heat shrink tubing.



CM1 3106 RS
CM1 4106 RS
Straight plug

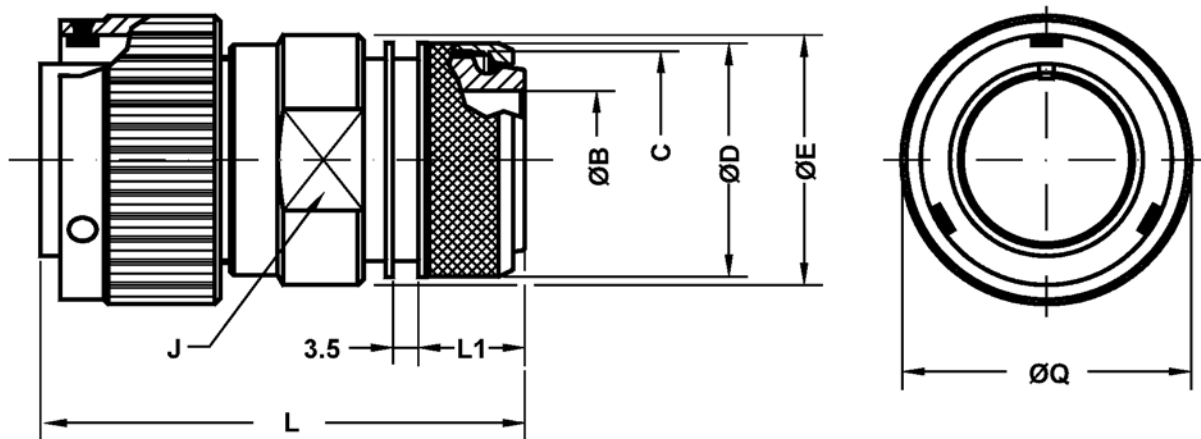


Shell size	L Max.	ØQ ±0.2
10 SL	38.0	22.6
14 S	47.5	29.0
16 S	45.5	31.6
16	55.5	31.6
18	55.5	36.2
20	55.5	39.8
22	55.5	43.0
24	58.5	46.4
28	58.5	53.0
32	58.5	60.0
36	58.5	66.2
40	58.5	72.3

Straight plug.
 Includes wire sealing grommet and
 backshell. For use with individual wires.



CM1 3106 SP
CM1 4106 SP
Straight plug

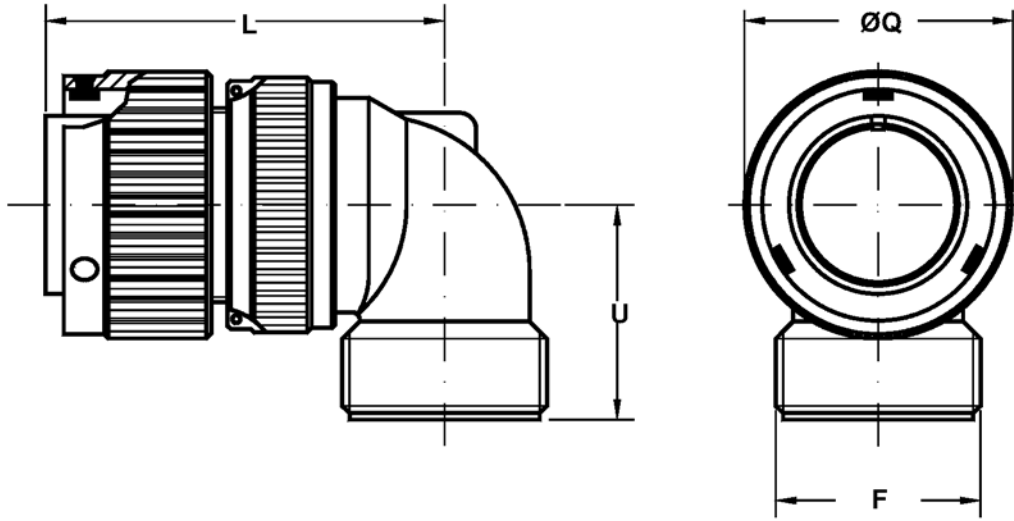


Shell size	ØB min.	C thread	ØD ±0.2	ØE ±0.2	J key	L Max.	L1 ±0.1	ØQ ±0.2
10 SL	8.6	M16 x 1	18.5	22.0	20	52.0	13.5	22.6
14 S	10.7	M20 x 1	22.3	25.0	23	52.0	13.5	29.0
16 S	13.9	M23 x 1	25.3	28.0	26	52.0	14.6	31.6
16	13.9	M23 x 1	25.3	28.0	26	63.5	14.6	31.6
18	15.0	M26 x 1	28.0	30.0	28	63.5	14.6	36.2
20	18.8	M30 x 1	32.3	34.5	32	64.5	14.6	39.8
22	22.8	M32 x 1	34.3	38.0	36	64.5	14.6	43.0
24	25.4	M36 x 1	38.3	41.0	39	66.0	14.6	46.4
28	28.3	M39 x 1	41.2	48.0	46	66.0	14.6	53.0
32	35.0	M45 x 1	48.3	54.0	52	67.5	14.6	60.0
36	40.5	M52 x 1	55.0	61.0	58	68.0	15.5	66.2
40	48.0	M59 x 1	62.0	68.0	65	68.0	15.5	72.3

Straight plug.
Includes wire sealing grommet and backshell with rotating clamp nut. Shielded cable is terminated with a “braid trap” nut and heat shrink tubing (optional).



CM1 3108 A / CM1 3108 R
CM14108 A / CM1 4108 R
90° plug



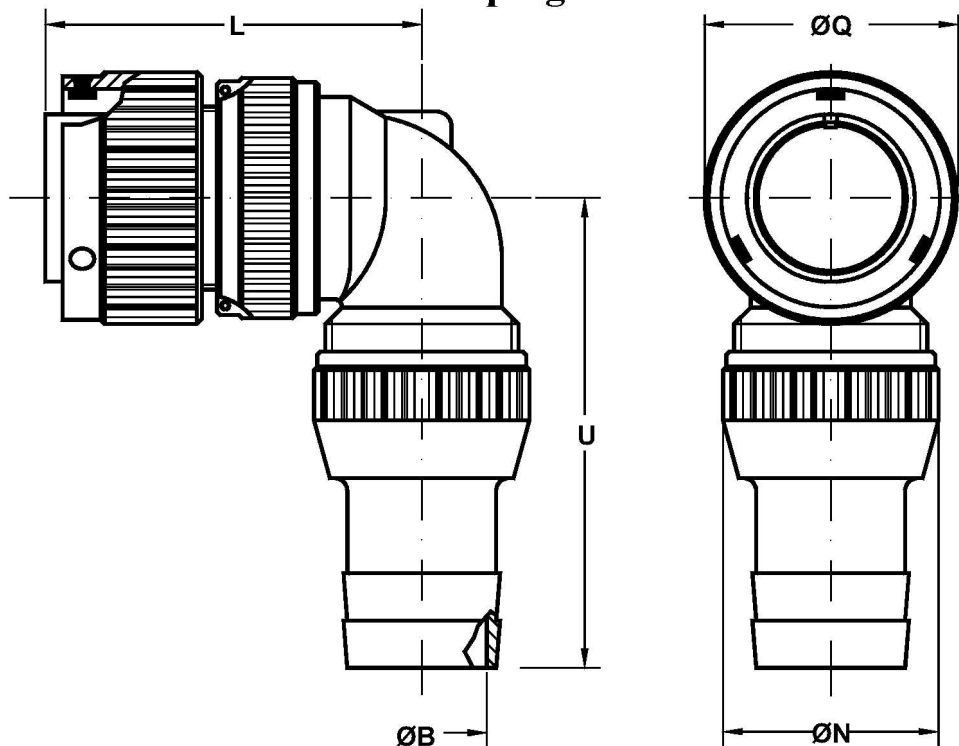
Shell size	V thread	L Max.	ØQ ±0.2	U ±0.2
10 SL	0.6250 - 24UNEF	40	22.6	25.0
14 S	0.7500 - 20UNEF	42	29.0	26.5
16 S	0.8750 - 20UNEF	46	31.6	27.0
16	0.8750 - 20UNEF	55	31.6	27.0
18	1.0000 - 20UNEF	57	36.2	30.0
20	1.1875 - 18UNEF	62	39.8	32.0
22	1.1875 - 18UNEF	62	43.0	32.0
24	1.4375 - 18UNEF	67	46.4	37.0
28	1.4375 - 18UNEF	67	53.0	38.0
32	1.7500 - 18UNS	72	60.0	45.5
36	2.0000 - 18UNS	75	66.2	47.2
40	2.2500 - 16UN	78	72.3	52.0

Plug with 90° backshell.
 Class R includes a wire sealing grommet.



CM1 3108 A ... BR__
CM1 4108 A ... BR__

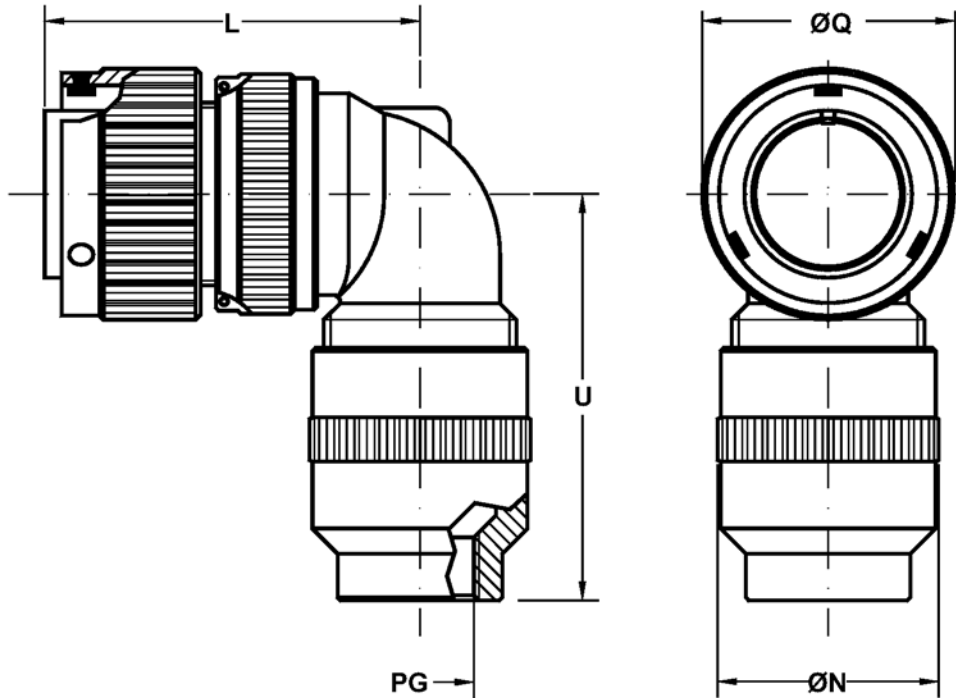
90° plug



Shell size	ØB ±0.1	L Max.	ØN	ØQ ±0.2	U Max.
10 SL		40		22.6	75.0
14 S		42		29.0	76.5
16 S		46		31.6	77.0
16		55		31.6	77.0
18		57		36.2	80.0
20		62		39.8	82.0
22		62		43.0	82.0
24		67		46.4	87.0
28		67		53.0	88.0
32		72		60.0	95.5
36		75		66.2	97.2
40		78		72.3	102.0

Plug with 90° backshell.
Includes backshell and termination for
UNI4883 rubber conduits.
No grommet supplied.

CM1 3108 A ... PG__
 CM1 4108 A ... PG__
 90° plug

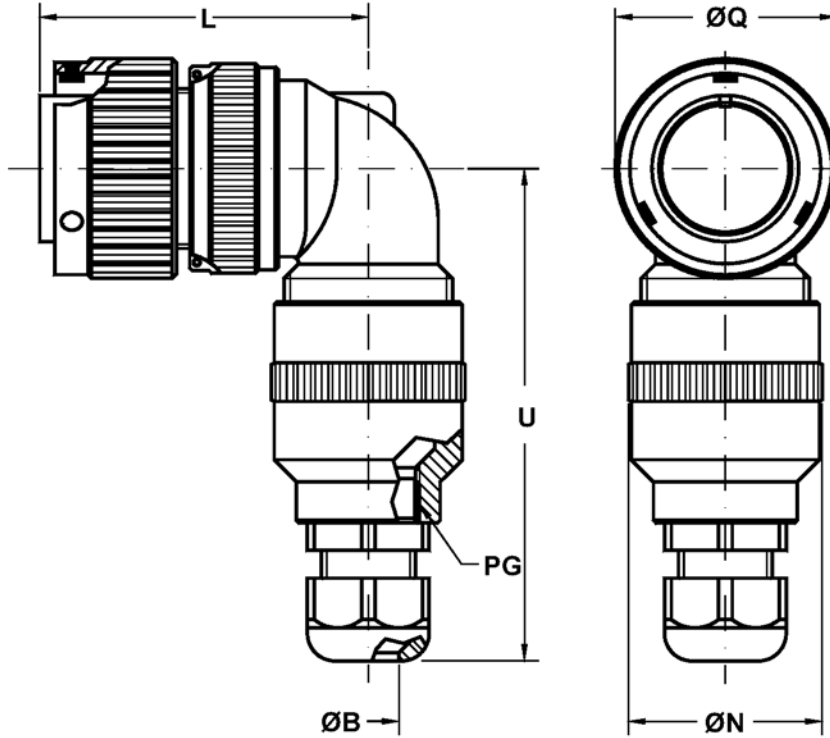


Shell size	L Max.	ØN Max.	PG thread	ØQ ±0.2	U Max.
10 SL	40	25	7 / 9 / 11	22.6	50.0
14 S	42	26	11 / 16	29.0	51.0
16 S	46	26	11 / 16	31.6	51.5
16	55	26	11 / 16	31.6	51.5
18	57	33	11 / 13.5 / 16 / 21	36.2	54.5
20	62	43	16 / 21 / 29	39.8	56.5
22	62	43	16 / 21 / 29	43.0	56.5
24	67	45	16 / 21 / 29	46.4	61.5
28	67	45	16 / 21 / 29	53.0	62.5
32	72	51	21 / 29	60.0	75.0
36	75	58	21 / 29	66.2	82.7
40	78	63	21 / 29 / 36	72.3	87.5

Plug with 90° backshell and adaptor for use with PG cable glands (not included). Other types of PG adaptors can be supplied in various sizes upon request.
 No grommet supplied.

CM1 3108 A ... PH__
 CM1 4108 A ... PH__

90° plug

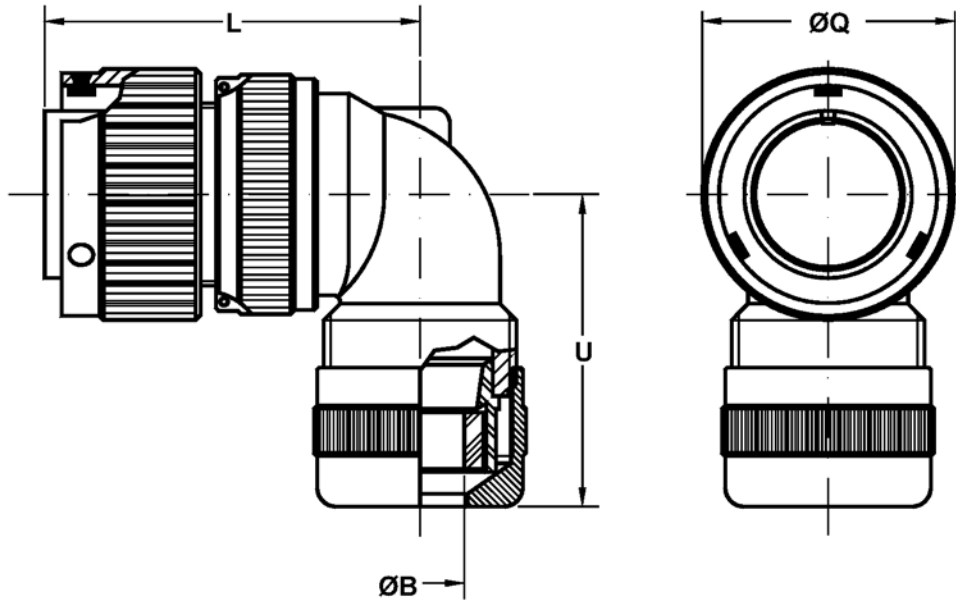


Shell size	ØB min. ÷ Max.	L Max.	ØN Max.	PG thread	ØQ ±0.2	U Max.
10 SL	3÷6.5 / 4÷8 / 5÷10	40	25	7 / 9 / 11	22.6	80.0
14 S	5÷10 / 9÷14	42	26	11 / 16	29.0	82.0
16 S	5÷10 / 9÷14	46	26	11 / 16	31.6	82.5
16	5÷10 / 9÷14	55	26	11 / 16	31.6	82.5
18	5÷10 / 6÷12 / 9÷14 / 13÷18	57	33	11 / 13.5 / 16 / 21	36.2	89.5
20	9÷14 / 13÷18 / 15÷25	62	43	16 / 21 / 29	39.8	95.5
22	9÷14 / 13÷18 / 15÷25	62	43	16 / 21 / 29	43.0	95.5
24	9÷14 / 13÷18 / 15÷25	67	45	16 / 21 / 29	46.4	100.5
28	9÷14 / 13÷18 / 15÷25	67	45	16 / 21 / 29	53.0	101.5
32	13÷18 / 15÷25	72	51	21 / 29	60.0	114.0
36	13÷18 / 15÷25	75	58	21 / 29	66.2	121.7
40	13÷18 / 15÷25 / 20÷32	78	63	21 / 29 / 36	72.3	136.5

Plug with 90° backshell, adaptor and plastic PG cable gland.
 Other types of PG adaptors can be supplied in various sizes upon request.
 No grommet supplied.



CM1 3108 A ... PHM __
 CM1 4108 A ... PHM __
 90° plug

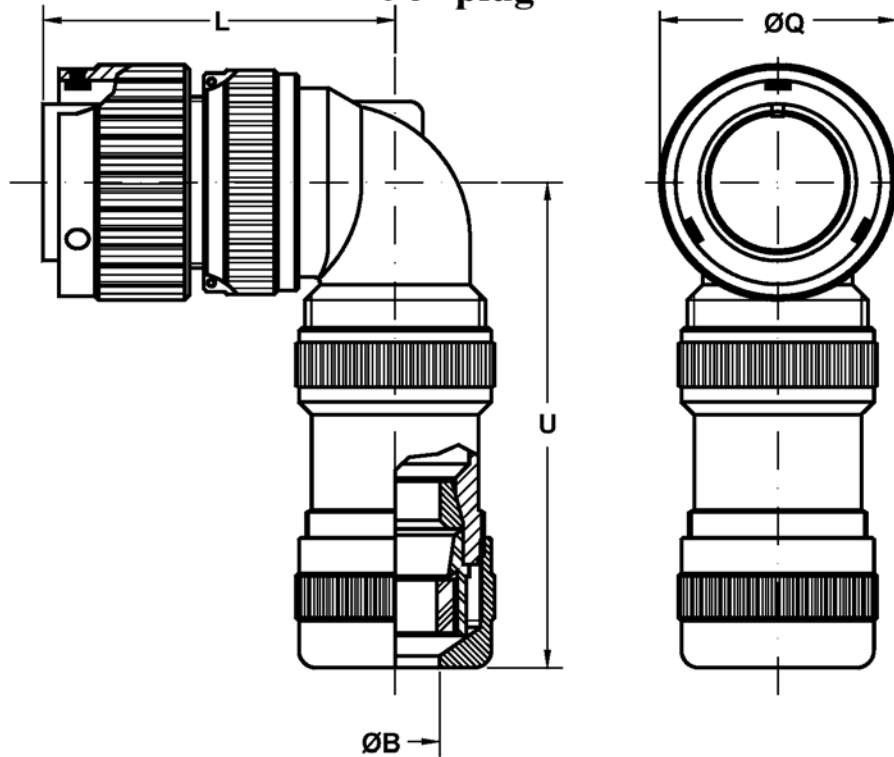


Shell size	P.N. PHM	ØB min. ÷ Max.	L Max.	ØQ ±0.2	U Max.
10 SL	11	2÷11	40	22.6	40.0
14 S	11	2÷11	42	29.0	41.5
16 S	11	2÷11	46	31.6	40.0
16	11	2÷11	55	31.6	40.0
18	11 / 18	2÷11 / 2÷16.5	57	36.2	47.0
20	11 / 18	2÷11 / 2÷16.5	62	39.8	49.0
22	18	2÷16.5	62	43.0	49.0
24	18 / 22 / 24	2÷16.5 / 15÷20 / 19÷24	67	46.4	58.0
28	18 / 22 / 24	2÷16.5 / 15÷20 / 19÷24	67	53.0	59.0
32	22 / 24	15÷20 / 19÷24	72	60.0	70.5
36	35	23÷35	75	66.2	72.2
40	35	23÷35	78	72.3	77.0

Plug with 90° backshell.
 Includes a PHM cable clamp that assures an excellent mechanical and waterproof seal if used with the correct neoprene sealing sleeves.
 No grommet supplied.



CM1 3108 A ... PHM __ EMI
 CM1 4108 A ... PHM __ EMI
 90° plug

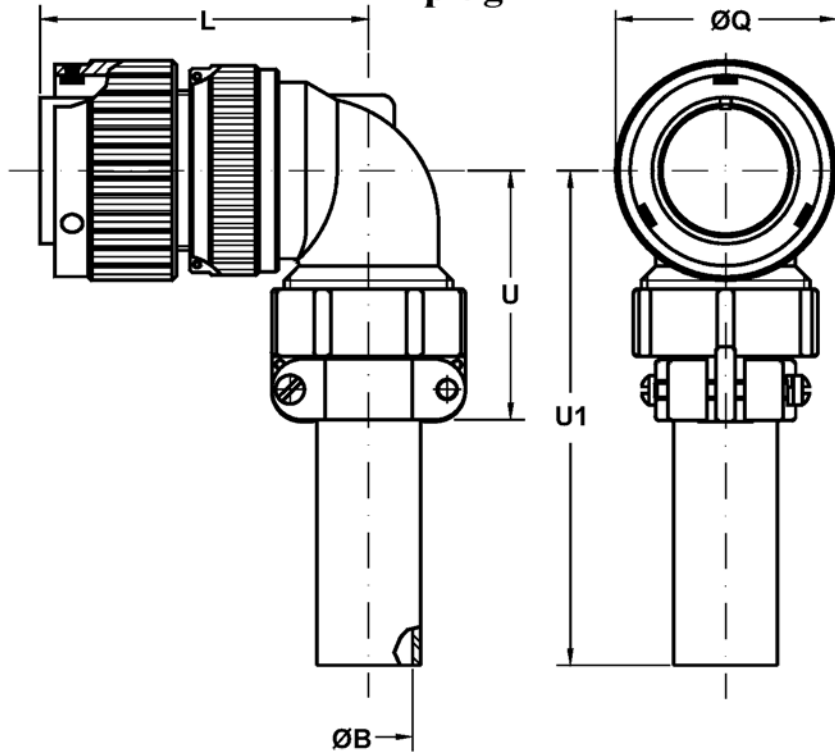


Shell size	P.N. PHM	ØB min. ÷ Max.	L Max.	ØQ ±0.2	U Max.
10 SL	11	2÷11	40	22.6	60.0
14 S	11	2÷11	42	29.0	61.5
16 S	11	2÷11	46	31.6	60.0
16	11	2÷11	55	31.6	60.0
18	11 / 18	2÷11 / 2÷16.5	57	36.2	67.0
20	11 / 18	2÷11 / 2÷16.5	62	39.8	69.0
22	18	2÷16.5	62	43.0	69.0
24	18 / 22 / 24	2÷16.5 / 15÷20 / 19÷24	67	46.4	78.0
28	18 / 22 / 24	2÷16.5 / 15÷20 / 19÷24	67	53.0	79.0
32	22 / 24	15÷20 / 19÷24	72	60.0	90.5
36	35	23÷35	75	66.2	92.2
40	35	23÷35	78	72.3	97.0

Plug with 90° backshell.
 Includes a PHM cable clamp that assures an excellent mechanical and waterproof seal with multipolar shielded cables if used with the correct neoprene sealing sleeves.
 No grommet supplied.



CM1 3108 F
CM1 4108 F
90° plug

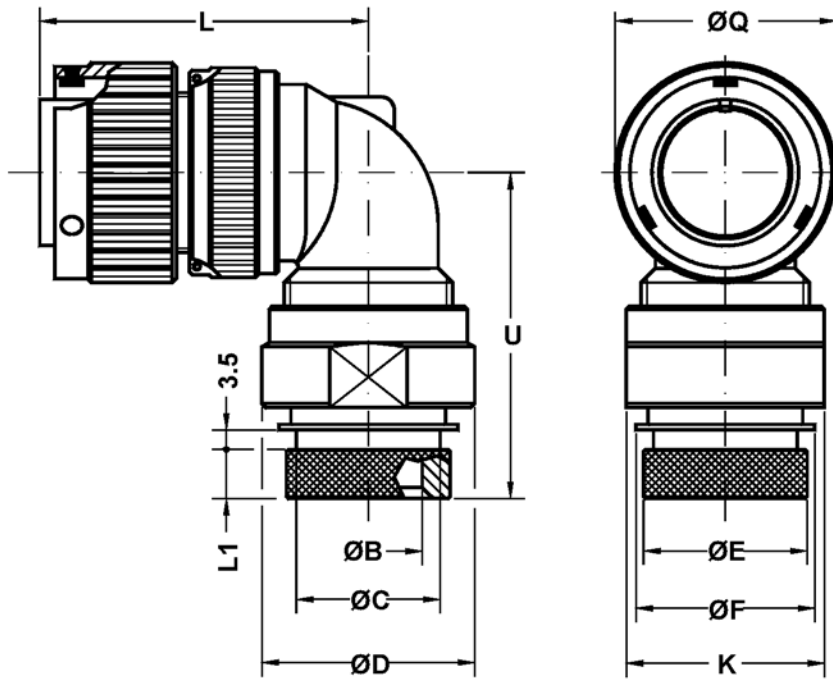


Shell size	ØB ±0.1	L Max.	ØQ ±0.2	U Max.	U1 Max.
10 SL	5.58	40	22.6	36.0	105
14 S	7.92	42	29.0	38.5	105
16 S	11.09	46	31.6	41.0	105
16	11.09	55	31.6	41.0	105
18	14.27	57	36.2	50.0	112
20	15.87	62	39.8	48.0	105
22	15.87	62	43.0	48.0	105
24	19.05	67	46.4	54.0	107
28	19.05	67	53.0	55.0	107
32	23.79	72	60.0	64.5	115
36	31.75	75	66.2	67.2	115
40	34.92	78	72.3	91.0	135

Plug complete with a 90° backshell.
Includes insulating grommet, class A cable
clamp **CM3057** and neoprene sleeve.



CM1 3108 GR
CM1 4108 GR
90° plug

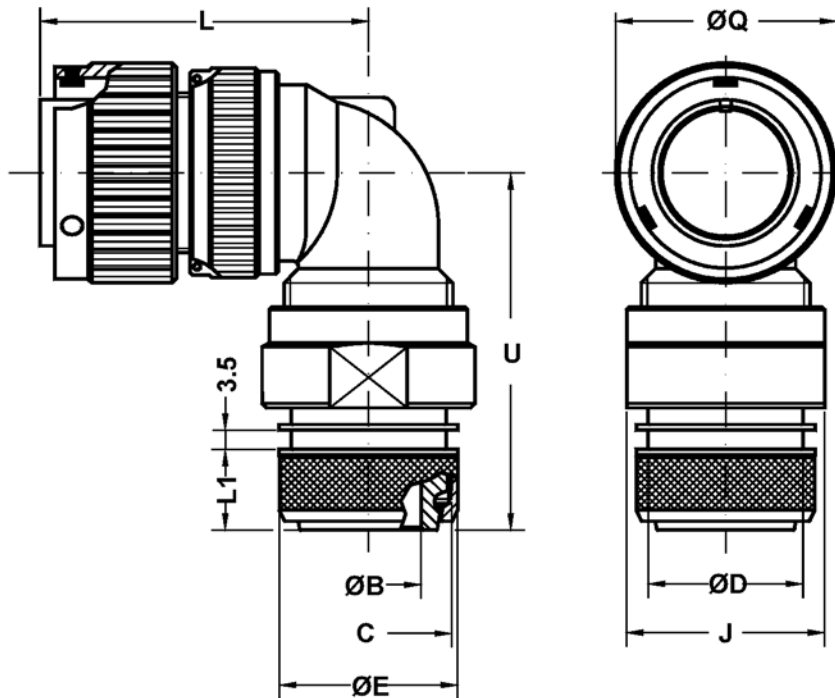


Shell size	ØB min.	ØC ±0.1	ØD +0 -0.1	ØE ±0.2	ØF ±0.2	k key	L Max.	L1 Max.	ØQ ±0.2	U Max.
10 SL	8.5	13.0	22.0	15.5	17.0	20	40	8.2	22.6	51.0
14 S	12.0	16.5	25.0	19.1	20.1	23	42	8.2	29.0	52.5
16 S	14.5	21.5	28.0	23.9	23.5	26	46	8.2	31.6	53.0
16	14.5	21.5	28.0	23.9	23.5	26	55	8.0	31.6	50.0
18	17.5	21.7	31.0	23.9	26.5	29	57	8.0	36.2	56.0
20	19.5	26.0	36.0	29.6	30.5	34	62	8.9	39.8	57.5
22	22.0	26.0	38.0	29.6	33.6	36	62	8.9	43.0	57.5
24	25.0	34.5	41.0	37.8	36.1	39	67	9.2	46.4	62.5
28	29.0	34.5	48.0	37.8	41.4	46	67	9.2	53.0	64.5
32	34.0	43.6	54.0	47.8	48.6	52	72	11.7	60.0	72.0
36	38.5	43.6	61.0	47.8	54.8	59	75	11.7	66.2	76.0
40	48.0	52.6	68.0	57.8	60.9	66	78	11.7	72.3	81.0

Plug complete with a 90° backshell.
Includes wire sealing grommet and backshell
with rotating clamp nut for heat shrink tubing.



CM1 3108 SP
CM1 4108 SP
90° plug

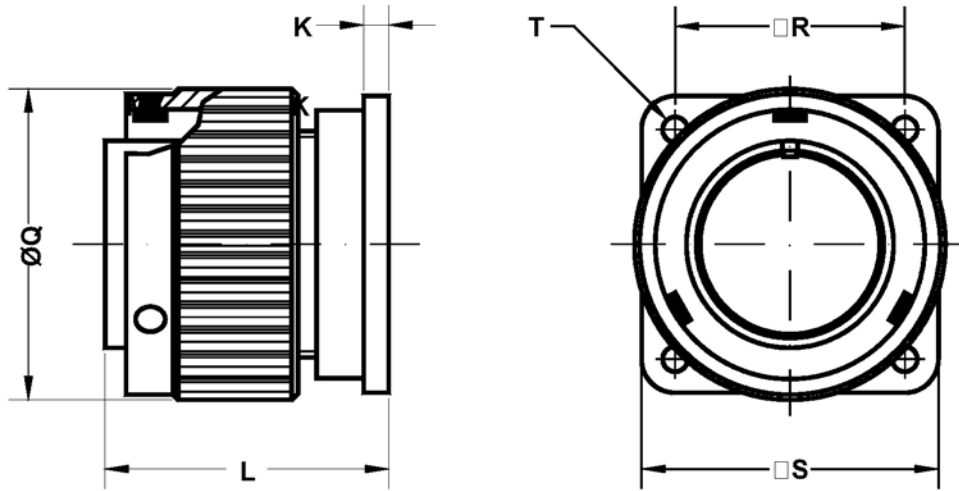


Shell size	ØB min.	C thread	ØD ±0.1	ØE ±0.2	J key	L Max.	L1 ±0.1	ØQ ±0.2	U Max.
10 SL	8.6	M16 x 1	13.0	18.5	20	40	13.5	22.6	53.0
14 S	10.7	M20 x 1	16.5	22.3	23	42	13.5	29.0	54.5
16 S	13.9	M23 x 1	21.5	25.3	26	46	14.6	31.6	55.0
16	13.9	M23 x 1	21.5	25.3	26	55	14.6	31.6	57.0
18	15.0	M26 x 1	21.7	28.0	28	57	14.6	36.2	60.0
20	18.8	M30 x 1	26.0	32.3	32	62	14.6	39.8	63.0
22	22.8	M32 x 1	26.0	34.3	36	62	14.6	43.0	63.0
24	25.4	M36 x 1	34.5	38.3	39	67	14.6	46.4	68.0
28	28.3	M39 x 1	34.5	41.2	46	67	14.6	53.0	69.0
32	35.0	M45 x 1	43.6	48.3	52	72	14.6	60.0	76.5
36	40.5	M52 x 1	43.6	55.0	58	75	15.5	66.2	78.5
40	48.0	M59 x 1	52.6	62.0	65	78	15.5	72.3	83.0

Plug complete with a 90° backshell.
Includes wire sealing grommet and backshell
with rotating clamp nut.
Shielded cable is terminated with a “braid
trap” nut and heat shrink tubing (optional).



CM1 3126 A / CM1 3126 R
CM1 4126 A / CM1 4126 R
Box mounting plug



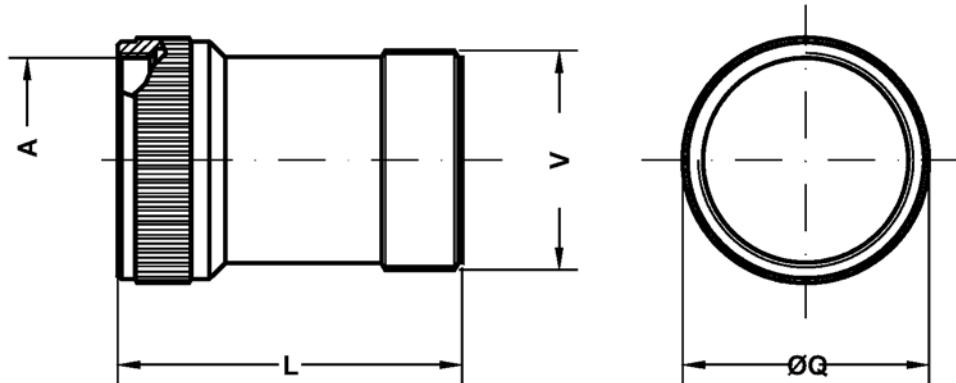
Shell size	K ±0.2	L Max.	ØQ ±0.2	R ±0.1	S +0.2	ØT +0.1 -0
10 SL	2.8	29.9	22.6	18.25	25.4	3.2
14 S	3.3	29.9	29.0	23.00	30.4	3.2
16 S	3.3	35.1	31.6	24.60	32.5	3.2
16	3.3	35.1	31.6	24.60	32.5	3.2
18	4.0	40.2	36.2	27.00	35.0	3.2
20	4.0	43.8	39.8	29.40	38.0	3.2
22	4.0	43.8	43.0	31.75	41.0	3.2
24	4.0	43.8	46.4	34.90	44.5	3.7
28	4.0	44.0	53.0	39.70	50.9	3.7
32	4.0	45.1	60.0	44.45	57.0	4.3
36	4.0	45.1	66.2	49.20	63.5	4.3
40	4.0	45.1	72.3	55.55	69.9	4.3

Box mounting plug with coupling nut for
CM13101... or **CM14101...** receptacles.



CM 101393 - XX3

Long backshell for plug connectors

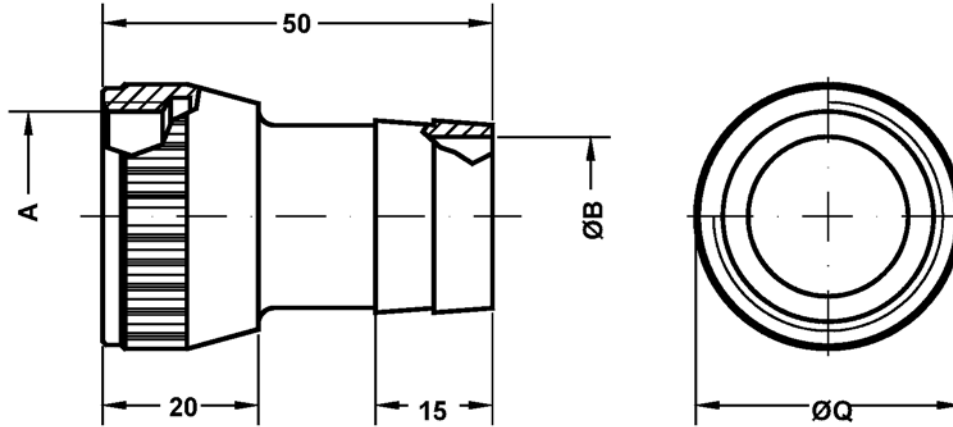


Contact P/N	Shell size	A thread	L Max.	Q ±0.2	V thread
CM 101393-123	10 SL	0.6250 - 24UNEF	50.0	20.0	0.6250 - 24UNEF
CM 101393-143	14 S	0.7500 - 20UNEF	50.0	23.0	0.7500 - 20UNEF
CM 101393-163	16 S	0.8750 - 20UNEF	50.0	25.0	0.8750 - 20UNEF
CM 101393-173	16	0.8750 - 20UNEF	54.0	25.0	0.8750 - 20UNEF
CM 101393-183	18	1.0000 - 20UNEF	56.0	29.5	1.0000 - 20UNEF
CM 101393-203	20	1.1250 - 18UNEF	56.0	32.0	1.1875 - 18UNEF
CM 101393-223	22	1.2500 - 18UNEF	56.0	35.0	1.1875 - 18UNEF
CM 101393-243	24	1.3750 - 18UNEF	56.0	38.5	1.4375 - 18UNEF
CM 101393-283	28	1.6250 - 18UNEF	61.0	45.0	1.4375 - 18UNEF
CM 101393-323	32	1.8750 - 16UN	61.0	53.2	1.7500 - 18UNS
CM 101393-363	36	2.0625 - 16UN	61.0	57.4	2.0000 - 18UNS
CM 101393-403	40	2.3125 - 16UN	61.0	63.2	2.2500 - 16UN

To make wiring easier a longer backshell is available for use with cable clamp **CM3057-XX** A/B/C.



CM 37267 - XX BR__
BR adaptor

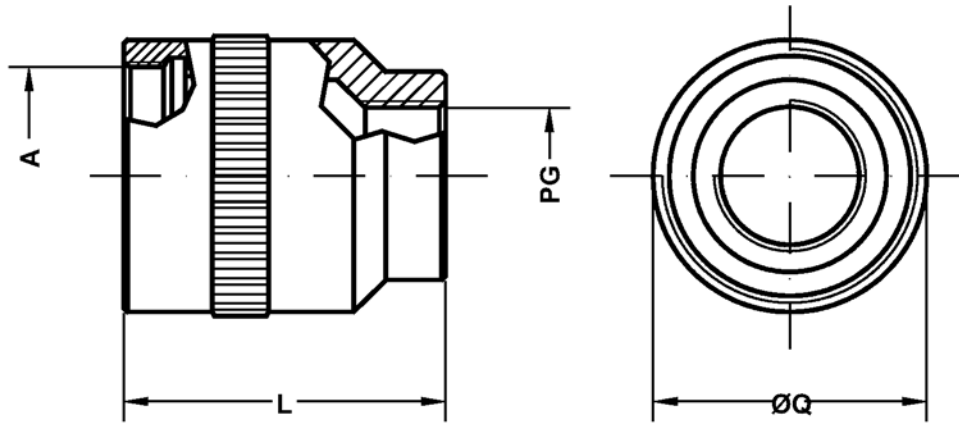


Contact P.N.	Shell size	A thread	ØB ±0.1	ØQ ±0.2
CM 37267-10BR1712	10SL	0.6250 - 24UNEF	10.5	20.0
CM 37267-18BR2722	18	1.0000 - 20UNEF	20.5	30.0
CM 37267-20BR1712	20 - 22	1.1875 - 18UNEF	10.5	34.0
CM 37267-20BR2722	20 - 22	1.1875 - 18UNEF	20.5	34.0
CM 37267-20BR2833	20 - 22	1.1875 - 18UNEF	31.5	42.0
CM 37267-28BR2520	24 - 28	1.4375 - 18UNEF	16.5	45.0
CM 37267-28BR2722	24 - 28	1.4375 - 18UNEF	20.5	45.0
CM 37267-28BR3126	24 - 28	1.4375 - 18UNEF	22.5	45.0
CM 37267-28BR3328	24 - 28	1.4375 - 18UNEF	26.5	45.0
CM 37267-28BR3530	24 - 28	1.4375 - 18UNEF	26.5	45.0
CM 37267-28BR3833	24 - 28	1.4375 - 18UNEF	31.5	45.0
CM 37267-28BR5045	24 - 28	1.4375 - 18UNEF	36.2	45.0
CM 37267-32BR3126	32	1.7500 - 18UNS	24.5	53.0
CM 37267-32BR3328	32	1.7500 - 18UNS	26.5	53.0
CM 37267-32BR3833	32	1.7500 - 18UNS	31.5	53.0
CM 37267-32BR4035	32	1.7500 - 18UNS	31.5	53.0
CM 37267-32BR5045	32	1.7500 - 18UNS	40.0	53.0
CM 37267-36BR3530	36	2.0000 - 18UNS	26.5	57.4
CM 37267-36BR3833	36	2.0000 - 18UNS	31.5	57.4
CM 37267-36BR4035	36	2.0000 - 18UNS	31.5	57.4
CM 37267-36BR5045	36	2.0000 - 18UNS	43.5	57.4
CM 37267-40BR4136	40	2.2500 - 16UN	31.5	63.0
CM 37267-40BR4540	40	2.2500 - 16UN	38.5	63.0
CM 37267-40BR5045	40	2.2500 - 16UN	43.5	63.0
CM 37267-40BR5550	40	2.2500 - 16UN	48.5	63.0

Termination for UNI4883 rubber conduits.



CM 101393 - XX PG__
PG adaptor



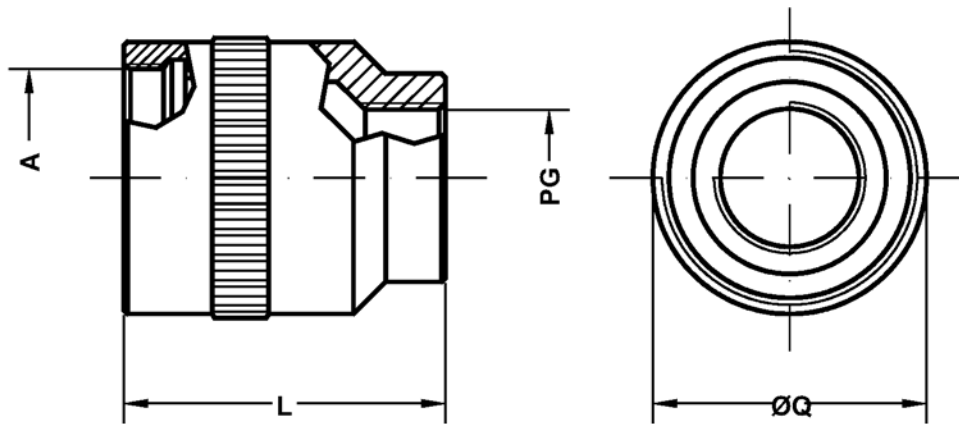
Shell Size	A thread	L Max.	Q Max.	PG thread
10 SL	0.6250 - 24UNEF	30.0	22.5	7 / 9 / 11
14 S	0.7500 - 20UNEF	32.0	23.5	11 / 13.5
16 S	0.8750 - 20UNEF	32.0	25.5	9 / 11 / 16
16	0.8750 - 20UNEF	32.0	25.5	9 / 11 / 16
18	1.0000 - 20UNEF	40.0	30.5	9 / 11 / 16 / 21
20	1.1250 - 18UNEF	42.0	35.5	11 / 16 / 21
22	1.2500 - 18UNEF	42.0	35.5	13.5 / 16 / 21
24	1.3750 - 18UNEF	42.0	40.5	13.5 / 16 / 21 / 29
28	1.6250 - 18UNEF	47.0	45.5	16 / 21 / 29
32	1.8750 - 16UN	52.0	52.5	21 / 29
36	2.0625 - 16UN	57.0	60.0	21 / 29 / 36
40	2.3125 - 16UN	62.0	63.5	29 / 36

Adaptor for PG cable gland.
 For use with class A straight plugs.



CM 40581 - XX PG__

PG adaptor



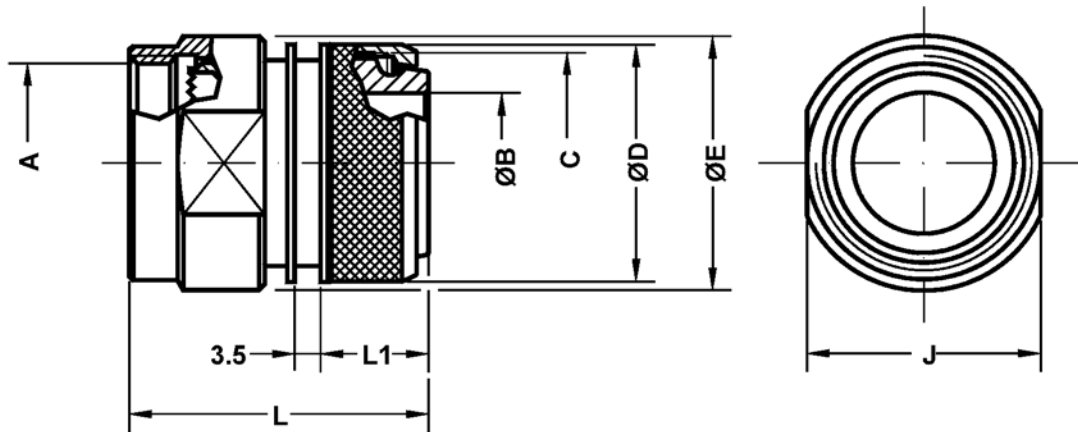
Shell Size	A thread	L Max.	Q Max.	PG thread
10 SL	0.6250 - 24UNEF	30.0	22.5	7 / 9 / 11
14 S	0.7500 - 20UNEF	32.0	23.5	11 / 13.5
16 S	0.8750 - 20UNEF	32.0	25.5	9 / 11 / 16
16	0.8750 - 20UNEF	32.0	25.5	9 / 11 / 16
18	1.0000 - 20UNEF	40.0	30.5	9 / 11 / 16 / 21
20	1.1875 - 18UNEF	42.0	35.5	11 / 16 / 21
22	1.1875 - 18UNEF	42.0	35.5	13.5 / 16 / 21
24	1.4375 - 18UNEF	42.0	40.5	13.5 / 16 / 21 / 29
28	1.4375 - 18UNEF	47.0	45.5	16 / 21 / 29
32	1.7500 - 18UNS	52.0	52.5	21 / 29
36	2.0000 - 18UNS	57.0	60.0	21 / 29 / 36
40	2.2500 - 16UN	62.0	63.5	29 / 36

Adaptor for PG cable gland.
For use with class A 90° plugs.



CM 37264 - XX

Backshell for plug connectors



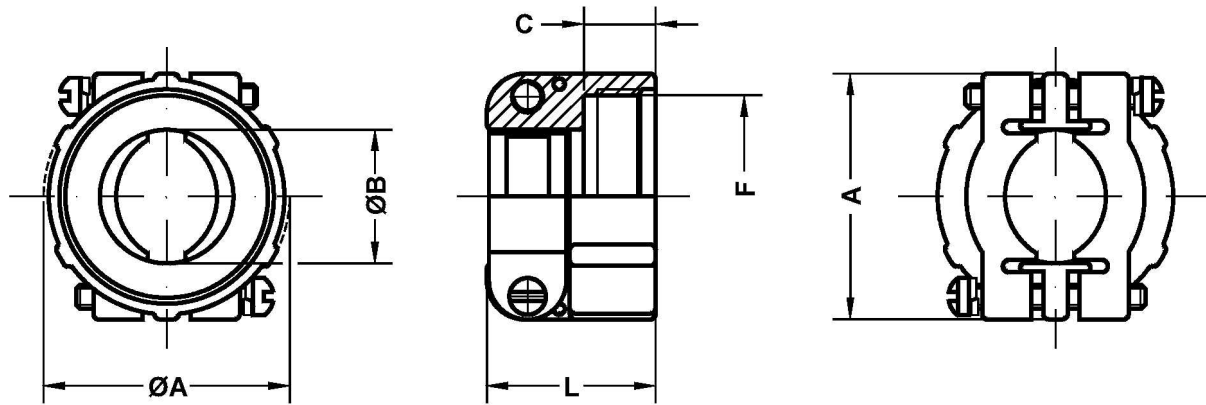
Contact P/N	Shell size	A thread	ØB min.	C thread	ØD ±0.2	ØE ±0.2	J key	L Max.	L1 Max.
CM 37264-10SL	10 SL	0.6250 - 24UNEF	8.5	M16 x 1	18.5	22.0	20	35	13.5
CM 37264-14S	14 S	0.7500 - 20UNEF	12.0	M20 x 1	22.3	25.0	23	35	13.5
CM 37264-16S	16 S	0.8750 - 20UNEF	14.5	M23 x 1	25.3	28.0	26	35	14.6
CM 37264-16S	16	0.8750 - 20UNEF	14.5	M23 x 1	25.3	28.0	26	40	14.6
CM 37264-18	18	1.0000 - 20UNEF	17.5	M26 x 1	28.0	30.0	28	40	14.6
CM 37264-20	20	1.1250 - 18UNEF	19.5	M30 x 1	32.3	34.5	32	40	14.6
CM 37264-22	22	1.2500 - 18UNEF	22.0	M32 x 1	34.3	38.0	36	40	14.6
CM 37264-24	24	1.3750 - 18UNEF	25.0	M36 x 1	38.3	41.0	39	40	14.6
CM 37264-28	28	1.6250 - 18UNEF	29.0	M39 x 1	41.2	48.0	46	40	14.6
CM 37264-32	32	1.8750 - 16UN	34.0	M45 x 1	48.3	54.0	52	43	14.6
CM 37264-36	36	2.0625 - 16UN	38.5	M52 x 1	55.0	61.0	58	43	15.5
CM 37264-40	40	2.3125 - 16UN	48.0	M59 x 1	62.0	68.0	65	45	15.5

Backshell with rotating clamp nut for terminating shielded cable with a “braid trap” nut and heat shrink tubing.



CM 3057 - XXA

Cable clamp

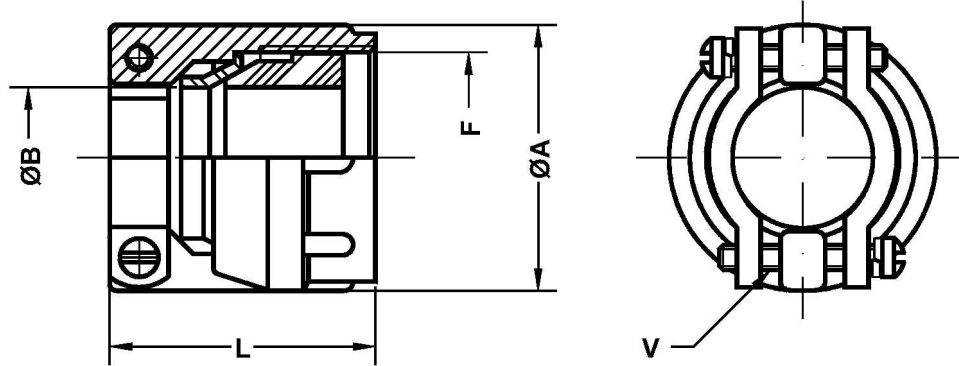


Contact P/N	Shell size	Sleeve to use	A	B	C	F thread	L Max.
CM 3057- 4A	10 S	CM 3420- 4	25	8.2	10.2	0.6250 - 24UNEF	21.0
CM 3057- 6A	14 S	CM 3420- 6	27	11.2	10.2	0.7500 - 20UNEF	22.2
CM 3057- 8A	16 S - 16	CM 3420- 8	28	14.2	10.2	0.8750 - 20UNEF	24.0
CM 3057-10A	18	CM 3420-10	33	16.0	10.2	1.0000 - 20UNEF	28.5
CM 3057-12A	20 - 22	CM 3420-12	35	19.0	10.2	1.1875 - 18UNEF	24.0
CM 3057-16A	24 - 28	CM 3420-16	43	23.8	10.5	1.4375 - 18UNEF	26.0
CM 3057-20A	32	CM 3420-20	51	31.7	12.5	1.7500 - 18UNS	28.0
CM 3057-24A	36	CM 3420-24	58	35.0	14.0	2.0000 - 18UNS	29.4
CM 3057-28A	40	CM 3420-28	65	41.2	14.0	2.2500 - 16UN	42.8

General duty cable clamp suitable for jacketed or multipolar cable or wires protected by tubing.



CM 3057 - XXC Cable clamp

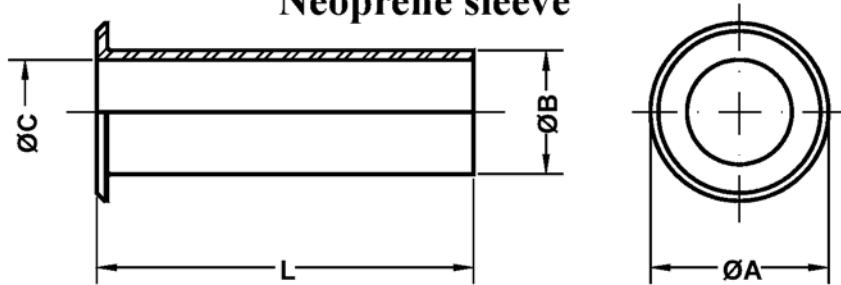


Contact P/ N	Shell size	Sleeve to use	A	B		F thread		L
				min.	Max.			V thread
CM 3057- 4C	10 SL	CM 3420 - 4A	22.6	2.38	7.93	0.6250 - 24UNEF	32.3	6 - 32NC
CM 3057- 6C	14 S	CM 3420 - 4A / 6A	25.8	5.84	11.12	0.7500 - 20UNEF	32.3	6 - 32NC
CM 3057- 8C	16 S - 16	CM 3420 - 6A / 8A	28.1	8.00	13.84	0.8750 - 20UNEF	32.3	6 - 32NC
CM 3057-10C	18	CM 3420 - 6A / 10A	31.0	9.60	15.87	1.0000 - 20UNEF	35.3	6 - 32NC
CM 3057-12C	20 - 22	CM 3420 - 8A / 12A	37.3	11.30	19.00	1.1875 - 18UNEF	35.7	8 - 32NC
CM 3057-16C	24 - 28	CM 3420 - 8A / 12A / 16A	42.0	15.50	23.80	1.4375 - 18UNEF	38.5	8 - 32NC
CM 3057-20C	32	CM 3420 - 12A / 16A / 20A	54.0	23.40	31.75	1.7500 - 18UNS	44.8	250 - 20NC
CM 3057-24C	36	CM 3420 - 16A / 18A / 24A	57.1	23.40	35.00	2.0000 - 18UNS	51.6	250 - 20NC
CM 3057-28C	40	CM 3420 - 16A / 20A / 28A	63.5	29.90	41.25	2.2500 - 16UN	51.6	250 - 20NC

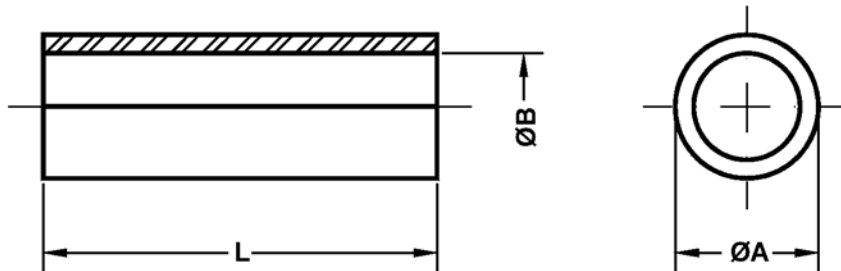
Waterproof cable clamp suitable for jacketed cable or wires protected by tubing. assures watertight integrity of connector.



CM 3420 - XX
CM 3420 - XXA
Neoprene sleeve



Contact P/N	A ±0.1	B ±0.1	C ±0.1	L ±0.1
CM3420 - 4	12.8	7.67	5.58	69.8
CM3420 - 6	15.7	10.84	7.92	66.8
CM3420 - 8	18.8	14.02	11.09	63.5
CM3420 - 10	22.0	15.62	14.27	60.3
CM3420 - 12	27.0	18.79	15.87	57.1
CM3420 - 16	33.3	23.54	19.05	53.9
CM3420 - 20	40.5	31.49	23.79	50.8
CM3420 - 24	46.9	34.67	31.75	47.6
CM3420 - 28	52.9	40.99	34.92	44.4



Contact P/N	A ±0.1	B ±0.1	L ±0.1
CM3420 - 4A	7.63	5.56	50.5
CM3420 - 6A	10.50	7.93	50.5
CM3420 - 8A	13.50	11.10	50.5
CM3420 - 10A	15.70	11.10	50.5
CM3420 - 12A	18.50	13.74	50.9
CM3420 - 16A	23.60	19.00	50.9
CM3420 - 20A	31.10	23.80	50.2
CM3420 - 24A	33.90	28.50	51.1
CM3420 - 28A	40.60	31.80	50.2
CM3420 - 29A	45.00	41.00	50.5

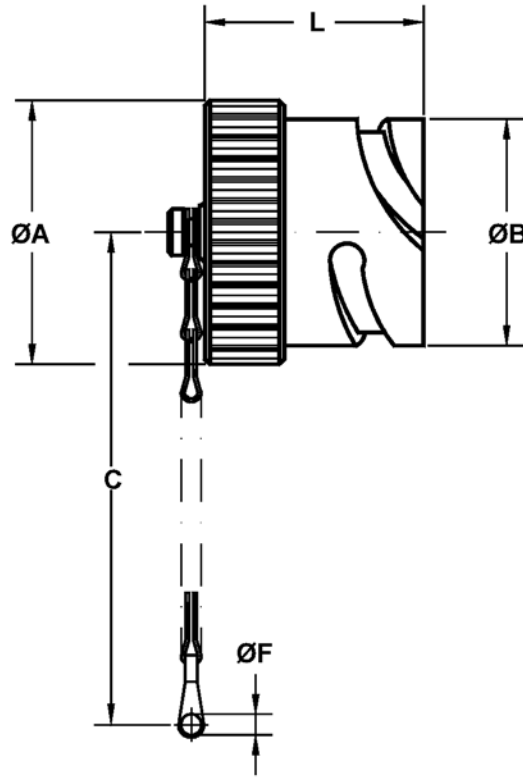
CM3420-XX : Neoprene sleeve for protection and reduction, used with class A cable clamps.

CM3420-XXA : Neoprene sleeve for protection and reduction, used with class C cable clamps.



CM1 06T - XX

Cap for plug connectors



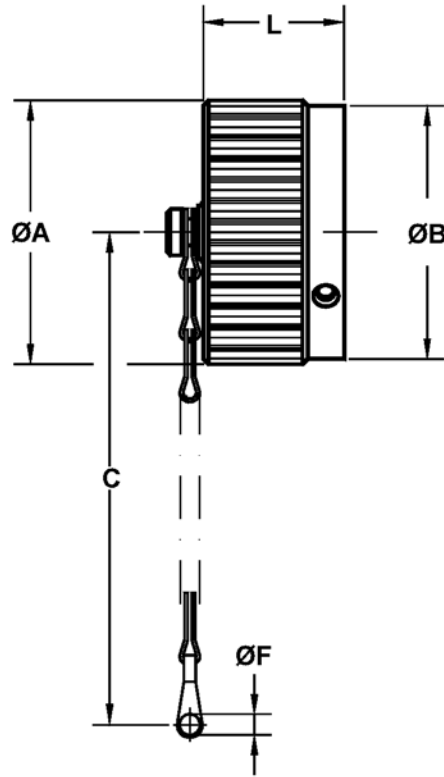
Part Number	Connector size	ØA Max	ØB ±0.1	C min	ØF +0.2 -0	L Max
CM1 06T-10	10SL	22.7	18.2	108	4.3	24.0
CM1 06T-14	14S	30.0	24.6	123	4.3	24.0
CM1 06T-16	16S	32.5	27.4	123	4.3	24.0
CM1 06T-17	16	32.5	27.4	123	4.3	33.0
CM1 06T-18	18	36.4	30.8	123	4.3	33.0
CM1 06T-20	20	40.5	34.2	138	4.8	33.0
CM1 06T-22	22	43.5	37.4	138	4.8	33.0
CM1 06T-24	24	46.5	40.9	138	4.8	33.0
CM1 06T-28	28	54.0	46.7	206	4.8	33.0
CM1 06T-32	32	60.0	53.4	206	5.6	34.2
CM1 06T-36	36	66.2	59.6	206	5.6	34.2
CM1 06T-40	40	73.0	65.5	206	5.6	34.2

Metal cap with stainless steel chain .



CM1 02T - XX

Cap for receptacle connectors

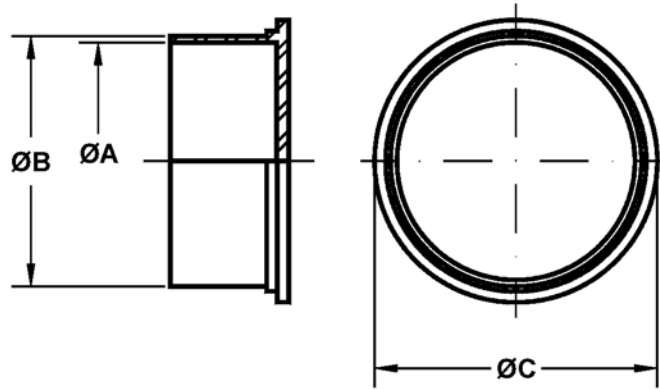


Part Number	Connector size	ØA Max	ØB ±0.1	C min	ØF +0.2 -0	L Max
CM1 02T-10	10SL	22.7	22.4	108	4.3	15.5
CM1 02T-14	14S	29.1	28.8	108	4.3	15.5
CM1 02T-16	16S	32.5	31.6	108	4.3	15.5
CM1 02T-17	16	32.5	31.6	123	4.3	21.2
CM1 02T-18	18	36.4	35.1	123	4.3	21.2
CM1 02T-20	20	39.8	38.5	123	4.3	21.2
CM1 02T-22	22	43.0	41.7	123	4.3	21.2
CM1 02T-24	24	46.5	45.2	123	4.3	21.2
CM1 02T-28	28	53.3	52.0	206	5.6	21.2
CM1 02T-32	32	60.0	58.7	206	5.6	21.2
CM1 02T-36	36	66.2	64.9	206	5.6	21.2
CM1 02T-40	40	72.3	71.3	206	5.6	21.2

Metal cap with stainless steel chain .



CM 90376 - XX Y/R
CM1TP02 - XX
Protective plastic cap



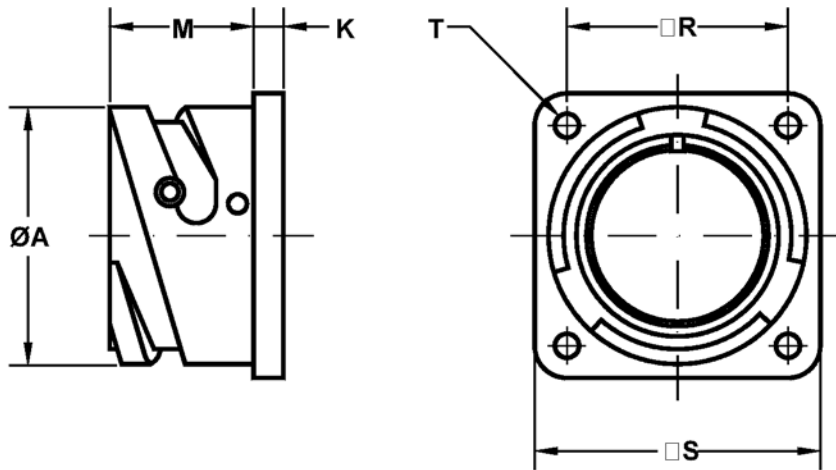
P.N.	Shell size	ØA ±0.25	ØB ±0.25	ØC ±0.78
CM1TP02-10SL	Receptacle 10SL	18.00	20.60	25.00
CM1TP02-14S	Receptacle 14S	24.40	27.05	30.00
CM90376-18Y	Receptacle 16S - 16	26.11	27.63	31.75
CM1TP02-18	Receptacle 18	30.40	33.15	37.00
CM90376-22R	Receptacle 20	34.04	35.81	40.38
CM90376-24R	Receptacle 22	37.16	38.94	43.18
CM1TP02-24	Receptacle 24	40.65	43.20	47.00
CM1TP02-28	Receptacle 28	46.45	49.05	52.00
CM1TP02-32	Receptacle 32	53.15	55.75	60.00
CM1TP02-36	Receptacle 36	59.35	61.95	66.00
CM1TP02-40	Receptacle 40	65.25	67.85	72.00

P.N.	Shell size	ØA ±0.25	ØB ±0.25	ØC ±0.78
CM90376-10R	Plug 10SL	15.37	16.89	21.33
CM90376-14R	Plug 14S	21.59	22.99	28.57
CM90376-16R	Plug 16S - 16	23.80	26.29	30.99
CM90376-18R	Plug 18	27.76	29.34	33.78
CM90376-20R	Plug 20	31.28	33.04	37.21
CM90376-22R	Plug 22	34.04	35.81	40.38
CM90376-24R	Plug 24	37.16	38.94	43.18
CM90376-28R	Plug 28	43.56	45.46	49.53
CM90376-32R	Plug 32	49.91	51.82	56.39
CM90376-36R	Plug 36	56.26	58.16	61.85
CM90376-40R	Plug 40	61.98	64.26	67.56

Cap for protection against dust.



CM1 05 - XX Dummy receptacle

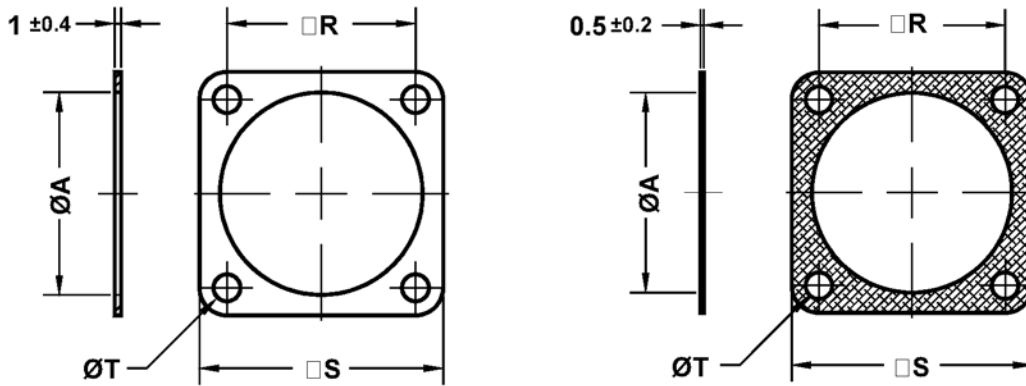


Shell size	ØA +0 -0.1	K ±0.2	M +0.2 -0	R ±0.1	S +0.2	ØT +0.1 -0
10 SL	18.2	2.8	14.3	18.25	25.4	3.2
14 S	24.5	3.3	14.5	23.00	30.4	3.2
16 S	27.2	3.3	14.5	24.60	32.5	3.2
16	27.2	3.3	19.1	24.60	32.5	3.2
18	30.7	4.0	19.1	27.00	35.0	3.2
20	34.0	4.0	19.1	29.40	38.0	3.2
22	37.3	4.0	19.6	31.75	41.0	3.2
24	40.9	4.0	20.6	34.90	44.5	3.7
28	46.7	4.0	20.7	39.70	50.9	3.7
32	53.4	4.0	22.3	44.45	57.0	4.3
36	59.6	4.0	22.3	49.20	63.5	4.3
40	65.5	4.0	22.3	55.55	69.9	4.3

Dummy receptacle.
Protects the plug connector when not in use.



CM 40450 - XX
CM 40450 - XXS
Gasket for fixed connectors



Contact P/N	Shell size	ØA +1	R ±0.2	S ±0.5	ØT +0.5
CM 40450 - 10	10SL	15.7	18.2	25.4	4.2
CM 40450 - 14	14S	22.1	23.0	30.0	4.2
CM 40450 - 16	16S - 16	25.3	24.6	32.5	4.2
CM 40450 - 18	18	28.4	27.0	35.0	4.2
CM 40450 - 20	20	31.6	29.4	38.0	4.2
CM 40450 - 22	22	34.8	31.8	41.0	4.2
CM 40450 - 24	24	38.0	34.9	44.5	4.2
CM 40450 - 28	28	44.3	39.7	50.8	5.1
CM 40450 - 32	32	50.7	44.5	57.0	5.1
CM 40450 - 36	36	57.0	49.2	63.5	5.1
CM 40450 - 40	40	61.9	55.5	69.9	5.1

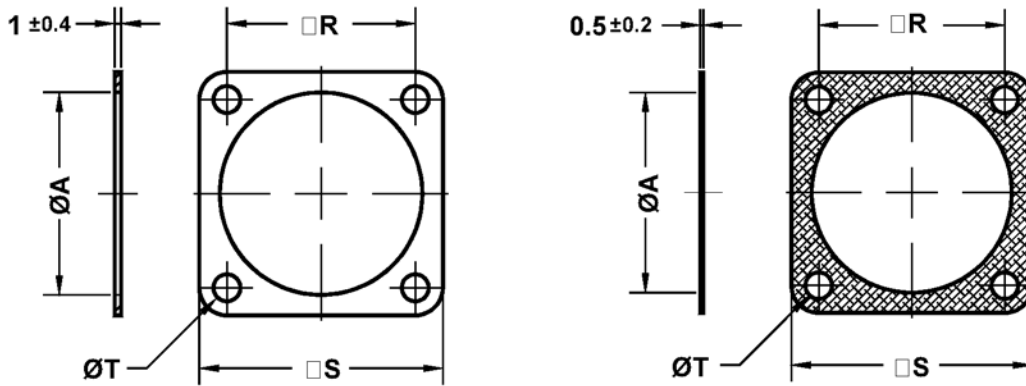
Gasket for square flange receptacle for front panel mounting.

CM40450-XX : non conductive,

CM40450-XXS : conductive.



CM 40460 - XX
CM 40460 XXS
Gasket for fixed connectors



Contact P/N	Shell size	ØA +0.3	R ±0.2	S ±0.5	ØT +0.5
CM 40460 - 10	10SL	18.2	18.2	25.4	4.2
CM 40460 - 14	14S	24.6	23.0	30.0	4.2
CM 40460 - 16	16S - 16	27.4	24.6	32.5	4.2
CM 40460 - 18	18	30.8	27.0	35.0	4.2
CM 40460 - 20	20	34.2	29.4	38.0	4.2
CM 40460 - 22	22	37.4	31.8	41.0	4.2
CM 40460 - 24	24	40.9	34.9	44.5	4.2
CM 40460 - 28	28	46.7	39.7	50.8	5.1
CM 40460 - 32	32	53.4	44.5	57.0	5.1
CM 40460 - 36	36	59.6	49.2	63.5	5.1
CM 40460 - 40	40	65.5	55.5	69.9	5.1

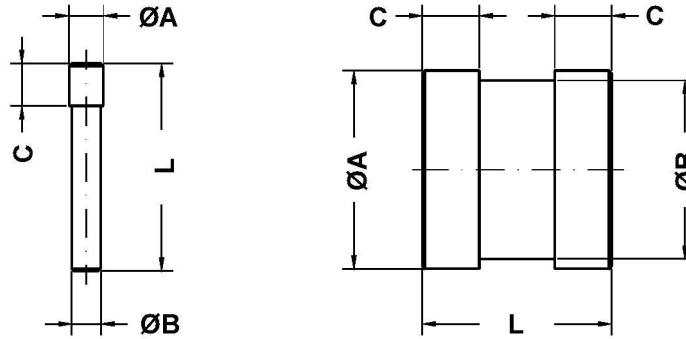
Gasket for square flange receptacle for rear panel mounting.

CM40460-XX : non conductive,

CM40460-XXS : conductive.



CM - 305045 - XX
CM - 101033 - XX
Wire hole plug



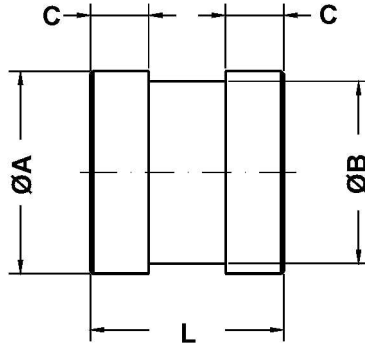
Contact P/N	Contact size	ØA	ØB	C	L	Colour
CM - 305045 - 16	16S - 16	2.6	2.2	3.2	15.7	Blue
CM - 101033 - 13	12	4.6	3.7	3.2	11.9	Yellow
CM - 305045 - 8	8	7.6	6.4	3.1	11.8	White
CM - 305045 - 4	4	10.9	9.7	3.1	11.8	Green
CM - 305045 - 0	0	15.0	13.5	4.3	14.3	Black
CM - 305045 - 01	0M	16.0	14.5	4.3	14.5	Black

Wire hole plugs for contact inserts.



CM - 101033 - XX

Wire hole plug



Contact P/N	Contact size	$\varnothing A$	$\varnothing B$	C	L	Colour
CM - 101033 - 12	16S - 16	3.7	2.8	3.2	11.9	Blue
CM - 101033 - 13	12	4.6	3.7	3.2	11.9	Yellow
CM - 101033 - 14	8	5.8	5.0	3.2	11.9	White
CM - 101033 - 15	4	8.5	7.6	3.2	11.9	Green
CM - 101033 - 16	0	13.5	12.8	3.2	11.9	Black

Wire hole plugs for wire sealing grommets.



HOW TO ORDER

<u>FR</u>	<u>CM1</u>	<u>31</u>	<u>06</u>	<u>A</u>	<u>20-27</u>	<u>P</u>	<u>X</u>	<u>(...)</u>
<i>1</i>	<i>2</i>	<i>3</i>	<i>4</i>	<i>5</i>	<i>6</i>	<i>7</i>	<i>8</i>	<i>9</i>

- 1* Omitted : Standard
FR : Fire Resistant rubber
- 2* CM1 : Bayonet coupling
*CM4 : Bayonet coupling without stainless steel wear pins
- 3* 31 : Solder contacts
41 : Crimp contacts
- 4* Style : 00 - 01 - 02 - 03 - 030 - 05 - 06 - 07 - 070 - 078 - 08 - 26
- 5* Class : A - F - G - GR - RS - SP - Y
- 6* Contact arrangement
- 7* P : Pin contacts
S : Socket contacts
P/S : Contacts for 02PP connectors
- 8* W - X - Y - Z : Alternate positions of the inserts
- 9* Modifications (see the next page)

* Only for receptacles

MODIFICATIONS

Special part numbers

Contacts

Omitted for standard version (. . .)

B0 : Connector less contacts

B1 : Connector with gold plated contacts

Shells

Omitted for standard version (. . .)

N Connector with Nickel plating

P Connector with black painting

B Connector with DEC conductive plating

G Connector with an olive drab passivation

Cadmium free

Assembly with accessories

Omitted for standard version (. . .)

N0 Connector less backshell

N1 Connector with CM 3057 A cable clamp

N2 Connector with CM 101393 backshell

N4 Connector with front O-Ring

N5 Connector with CM 3057 C cable clamp

N12 Connector with CM 3057 A cable clamp
and CM 3420 neoprene sleeve

NXXX Special customer connector



NOTES

X-ON Electronics

Largest Supplier of Electrical and Electronic Components

Click to view similar products for [epic manufacturer](#):

Other Similar products are found below :

[44420040 + 73002716](#) [19426500](#) [72004000 + 73018000](#) [13.1623](#) [11161000](#) [11.1610](#) [9198+00022030](#) [72004000 + 73002756](#) [72000010](#)
[10.5310](#) [10.4264+10.4310](#) [72040010](#) [HA4-FK-TE-SM-M-M20](#) [10.4310](#) [10.1270+10.1970+12.9545](#) [10.4220+10.4320](#)
[10.4265+10.4235+10.4200+10.4210](#) [10121000+10196000+12954500](#) [10.0720](#) [44420037 + 73002752](#) [10102000](#) [10.4264](#) [8990+00022030](#)
[72004000 + 73002716](#) [10.4861](#) [44420037 + 73018000](#) [10.1210+10.1960+12.9545](#) [10.4881](#) [10.0220+10.0030+10.1900+10.1910+12.9544](#)
[10431000](#) [10.1920](#) [44420037 + 73028500](#) [13.1622](#) [44420037 + 73002716](#) [10.1900](#)