



LAPP LIMITED

LAPP LIMITED
46-50 Standard Road
LONDON
NW10 6EF
Tel: (020) 8963 7000
Fax: (020) 8965 2780

Formerly Oskar Lapp Ltd and Contact Connectors Ltd

Email: sales@lappcable.com
Website: www.lappcable.com

Registered in England No. 1497180.
Registered Office: 146 New Cavendish Street,
London W1M 7FG



EPIC[®] MIL-C
MIL-C-26482
CPT SERIES
MINATURE BAYONET FIT

Registered in England
No. 1497180. Registered Office:
146 New Cavendish Street,
London W1M 7FG

A Lapp Group Company
Lapp Insulator is not affiliated with
Lapp Limited or the Lapp Group



Contents

| | | |
|------|-------|------------------------------|
| Page | 2 | General description |
| | 2-3 | Technical characteristics |
| | 4 | Contact dimensions |
| | 5-8 | Contact arrangements |
| | 9-10 | Application classes & styles |
| | 11-53 | Connector shell styles |
| | 54-66 | Accessories |
| | 67 | How to order |
| | 68 | Notes |



General description

CPT series , miniature bayonet lock connectors , are designed to conform to the materials and performance requirements of MIL-C-26482 series 1 specification.

Interchangeability and reliability with other connectors conforming to this specification is assured.

CPT connectors are also available with modification options such as crimp or P. C.B. contacts , various contact or shell plating finishes and others that are available on request.

A full range of accessories is also available.

Technical characteristics

Shells

Aluminium alloy according to QQ-A-591 .
Stainless steel coupling pins .

Platings

- Olive Drab cadmium plating according to QQ-P-416
- Cationic electro deposition anti corrosion plating
- Bright nickel
- Zn-Co
- Cadmium free plating (black DEC)

Contacts

Copper alloy with gold plating over nickel .

Inserts

High insulation synthetic rubber , oil and low temperatures resistant (-55°C +125°C) , in accordance with MIL - R - 3065 .

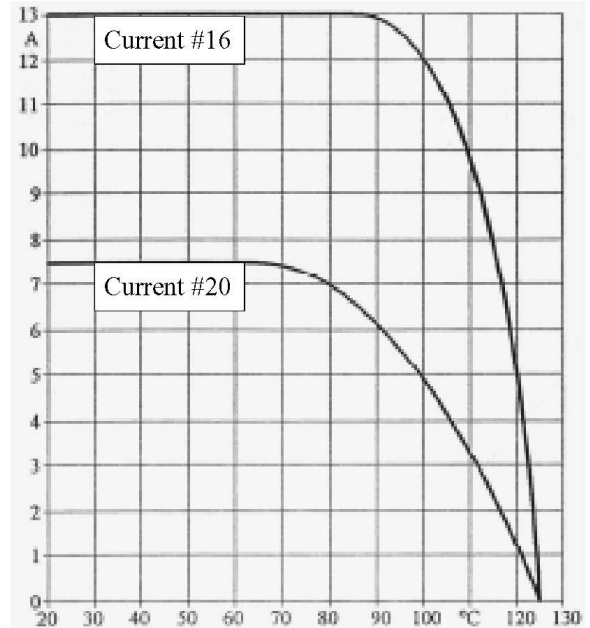
Service rating (Min insulation resistance : $\geq 5 \times 10^9 \text{ M}\Omega$)

| Class | Operating voltage AC | Operating voltage DC | Test voltage AC |
|-------|----------------------|----------------------|-----------------|
| I | 600 | 700 | 1500 |
| II | 1000 | 1250 | 2300 |

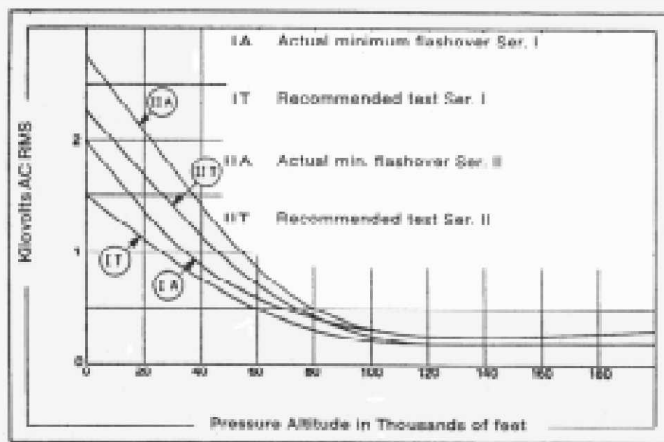
Potential drop

| Contact size | Test current | Potential drop |
|--------------|--------------|----------------|
| 20 | 7.5 A | 25 mV |
| 16 | 13.0 A | 21 mV |

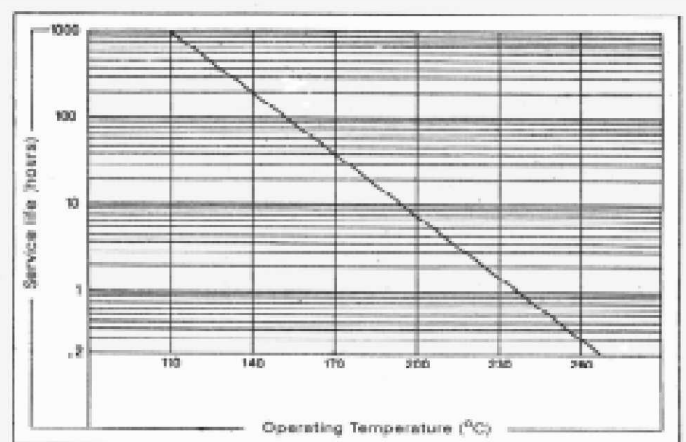
Rated current versus temperature



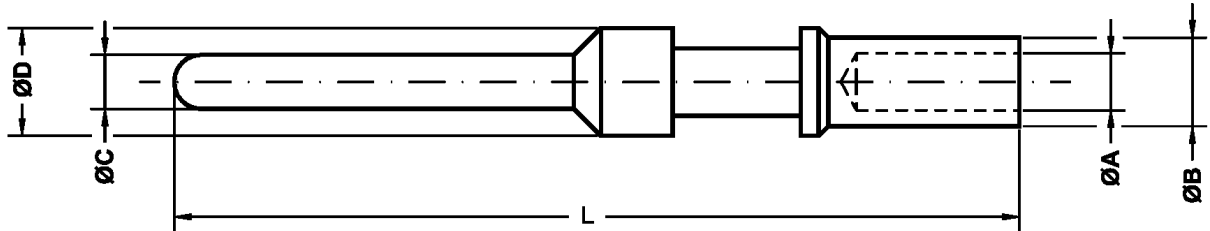
Flash over versus altitude



Time versus temperature

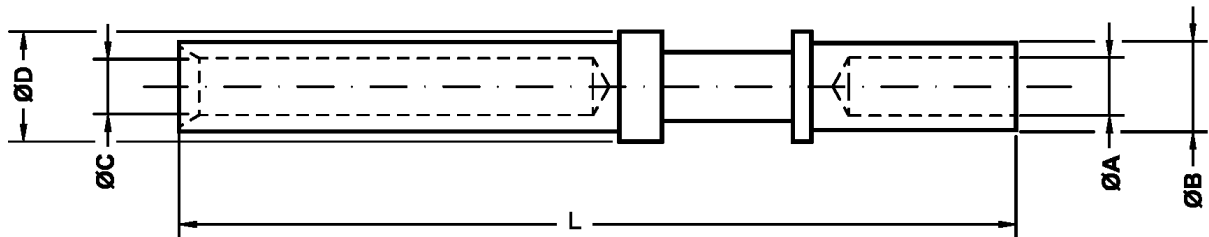


CPT-C male crimp contacts



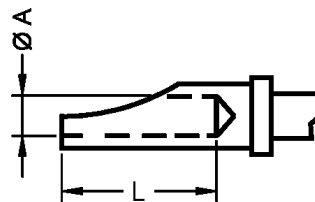
| P/N | Size | mmq | AWG | A +0.03 -0 | B +0.02 -0.02 | C ±0.02 | D +0 -0.03 | L ±0.1 |
|-----------|------|-----|-----|------------------|---------------------|------------|------------------|-----------|
| 10-374-20 | 20S | 0.6 | 20 | 1.30 | 1.93 | 1.00 | 2.0 | 20.37 |
| 10-375-20 | 20 | 0.6 | 20 | 1.30 | 1.93 | 1.00 | 2.0 | 24.33 |
| 10-374-16 | 16S | 1.2 | 16 | 1.72 | 2.60 | 1.57 | 3.2 | 22.30 |
| 10-375-16 | 16 | 1.2 | 16 | 1.72 | 2.60 | 1.57 | 3.2 | 25.80 |

CPT-C female crimp contacts



| P/N | Size | mmq | AWG | A +0.03 -0 | B +0.02 -0.02 | C ±0.02 | D +0 -0.03 | L ±0.1 |
|-----------|------|-----|-----|------------------|---------------------|------------|------------------|-----------|
| 10-571-20 | 20S | 0.6 | 20 | 1.30 | 1.93 | 1.08 | 1.96 | 20.40 |
| 10-573-20 | 20 | 0.6 | 20 | 1.30 | 1.93 | 1.08 | 1.96 | 24.40 |
| 10-571-16 | 16S | 1.2 | 16 | 1.72 | 2.60 | 1.65 | 2.80 | 22.25 |
| 10-573-16 | 16 | 1.2 | 16 | 1.72 | 2.60 | 1.65 | 2.80 | 25.80 |

Solder contact dimensions



| Contact size | Ø A | L | AWG Max. | Max. wire section |
|--------------|------|------|----------|-------------------|
| 20 | 1.16 | 3.17 | 20 | 0.6 mmq |
| 16 | 1.98 | 4.77 | 16 | 1.2 mmq |
| 16 - 2.5 | 3.00 | 6.10 | - | 2.5 mmq |



Contact arrangements

| Arrangement | Rating | contact size | |
|-------------|--------|--------------|----|
| | | 20 | 16 |
| 8 - 2 | I | 2 | |
| 8 - 3 | I | 3 | |
| 8 - 3A | I | 3 | |
| 8 - 4 | I | 4 | |
| 8 - 33 | I | 3 | |
| 10 - 2 | II | | 2 |
| 10 - 6 | I | 6 | |
| 10 - 7 | I | 7 | |
| 10 - 8 | I | 8 | |
| 10 - 98 | I | 6 | |
| 12 - 3 | II | | 3 |
| 12 - 4 | I | | 4 |
| 12 - 8 | I | 8 | |
| 12 - 10 | I | 10 | |
| 12 - 14 | I | 14 | |
| 14 - 5 | II | | 5 |
| 14 - 12 | I | 8 | 4 |
| 14 - 12/3 | II | | 12 |
| 14 - 14 | I | 14 | |
| 14 - 15 | I | 14 | 1 |
| 14 - 18 | I | 18 | |
| 14 - 19 | I | 19 | |
| 16 - 2 | I | | 2 |
| 16 - 8 | II | | 8 |
| 16 - 23 | I | 22 | 1 |
| 16 - 26 | I | 26 | |
| 16 - 99 | I | 21 | 2 |
| 18 - 11 | II | | 11 |
| 18 - 30 | I | 29 | 1 |
| 18 - 32 | I | 32 | |
| 20 - 16 | II | | 16 |
| 20 - 24 | I | 24 | |
| 20 - 25 | I | 25 | |
| 20 - 27 | I | 27 | |
| 20 - 39 | I | 37 | 2 |
| 20 - 41 | I | 41 | |
| 22 - 21 | II | | 21 |
| 22 - 32 | I | 32 | |
| 22 - 34 | I | 34 | |
| 22 - 36 | I | 36 | |
| 22 - 41 | I | 27 | 14 |
| 22 - 55 | I | 55 | |
| 24 - 61 | I | 61 | |

Alternate insert orientations

| Arrangement | Degrees | | | |
|-------------|---------|-----|-----|-----|
| | W | X | Y | Z |
| 8 - 2 | 58 | 122 | | |
| 8 - 3 | 60 | 210 | | |
| 8 - 3A | 60 | | | |
| 8 - 4 | 45 | | | |
| 8 - 33 | 90 | | | |
| 10 - 2 | | | | |
| 10 - 6 | 90 | | | |
| 10 - 7 | 90 | | | |
| 10 - 8 | | | | |
| 10 - 98 | 90 | 180 | 240 | 270 |
| 12 - 3 | | | 180 | |
| 12 - 4 | 38 | | | |
| 12 - 8 | 90 | 112 | 203 | 292 |
| 12 - 10 | 60 | 155 | 270 | 295 |
| 12 - 14 | 60 | 155 | 270 | 295 |
| 14 - 5 | 40 | 92 | 184 | 273 |
| 14 - 12 | 43 | 90 | | |
| 14 - 12/3 | | | | |
| 14 - 14 | 17 | 110 | 155 | 234 |
| 14 - 15 | 17 | 110 | 155 | 234 |
| 14 - 18 | 15 | 90 | 180 | 270 |
| 14 - 19 | 30 | 165 | 315 | |
| 16 - 2 | | | | |
| 16 - 8 | 54 | 152 | 180 | 331 |
| 16 - 23 | 158 | 270 | | |
| 16 - 26 | 60 | | 275 | 338 |
| 16 - 99 | 66 | 156 | 223 | 340 |
| 18 - 11 | 62 | 119 | 241 | 340 |
| 18 - 30 | 180 | 193 | 285 | 350 |
| 18 - 32 | 85 | 138 | 222 | 265 |
| 20 - 16 | 238 | 318 | 333 | 347 |
| 20 - 24 | 70 | 145 | 215 | 290 |
| 20 - 25 | 72 | 144 | 216 | 288 |
| 20 - 27 | 72 | 144 | 216 | 288 |
| 20 - 39 | 63 | 144 | 252 | 333 |
| 20 - 41 | 45 | 126 | 225 | |
| 22 - 21 | 16 | 135 | 175 | 349 |
| 22 - 32 | 72 | 145 | 215 | 288 |
| 22 - 34 | 62 | 142 | 218 | 298 |
| 22 - 36 | 72 | 144 | 216 | 288 |
| 22 - 41 | 39 | 135 | 264 | |
| 22 - 55 | 30 | 142 | 226 | 314 |
| 24 - 61 | 90 | 180 | 270 | 324 |



Contact arrangement

Front view of male insert

| | | |
|--|--|---|
| <p>2 CONTACTS</p> <p>ARRANGEMENT CONTACT SIZE SERVICE RATING</p> | <p>8-2 20 I</p> <p>10-2 16 16 II</p> <p>16-2 1 I</p> | <p>3 CONTACTS</p> <p>20 I</p> <p>8-3 20 I</p> <p>8-3A 2016 I</p> <p>8-33 I</p> <p>12-3 II</p> |
| <p>4 CONTACTS</p> <p>ARRANGEMENT CONTACT SIZE SERVICE RATING</p> | <p>8-4 20 I</p> <p>12-4 16 I</p> | <p>5 CONTACTS</p> <p>14-5 16 II</p> |
| <p>6 CONTACTS</p> <p>ARRANGEMENT CONTACT SIZE SERVICE RATING</p> | <p>10-6 20 I</p> <p>10-98* 20 I</p> | <p>7 CONTACTS</p> <p>10-7 20 I</p> |
| <p>8 CONTACTS</p> <p>ARRANGEMENT CONTACT SIZE SERVICE RATING</p> | <p>10-8 20 I</p> <p>12-8 20 I</p> <p>16-8 16 II</p> | <p>10 CONTACTS</p> <p>12-10 20 I</p> |
| <p>11 CONTACTS</p> <p>ARRANGEMENT CONTACT SIZE SERVICE RATING</p> | <p>18-11 16 II</p> | <p>12 CONTACTS</p> <p>14-12 8-20,4-16 I</p> <p>14-12/3 16 II</p> |
| <p>14 CONTACTS</p> <p>ARRANGEMENT CONTACT SIZE SERVICE RATING</p> | <p>12-14 20 I</p> <p>14-14* 20 I</p> | <p>15 CONTACTS</p> <p>14-15 14-20,1-16 I</p> |

CONTACT LEGEND

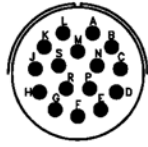




Contact arrangements

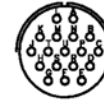
16 CONTACTS

ARRANGEMENT
CONTACT SIZE
SERVICE RATING



20-16*
16
II

18 CONTACTS



14-18*
20
I

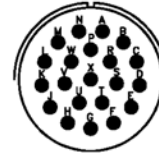
19 CONTACTS

ARRANGEMENT
CONTACT SIZE
SERVICE RATING



14-19
20
I

21 CONTACTS



22-21*
16
II

23 CONTACTS

ARRANGEMENT
CONTACT SIZE
SERVICE RATING

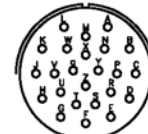


16-23
22-20,1-16
I



16-99
21-20,2-16
I

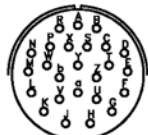
24 CONTACTS



20-24*
20
I

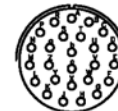
25 CONTACTS

ARRANGEMENT
CONTACT SIZE
SERVICE RATING



20-25*
20
I

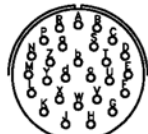
26 CONTACTS



16-26
20
I

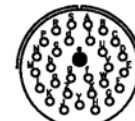
27 CONTACTS

ARRANGEMENT
CONTACT SIZE
SERVICE RATING



20-27*
20
I

30 CONTACTS



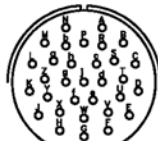
18-30*
29-20,1-16
I

32 CONTACTS

ARRANGEMENT
CONTACT SIZE
SERVICE RATING

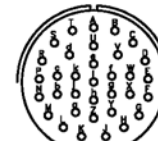


18-32
20
I



22-32*
20
I

34 CONTACTS



22-34*
20
I

CONTACT LEGEND



20



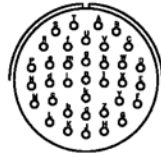
16



Contact arrangements

36 CONTACTS

ARRANGEMENT
CONTACT SIZE
SERVICE RATING



22-36*
20
I

39 CONTACTS



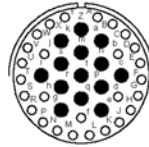
20-39*
37-20,2-16
I

41 CONTACTS

ARRANGEMENT
CONTACT SIZE
SERVICE RATING



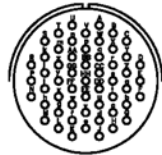
20-41*
20
I



22-41
27-20,14-16
I

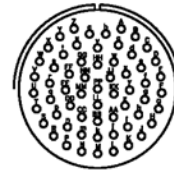
55 CONTACTS

ARRANGEMENT
CONTACT SIZE
SERVICE RATING



22-55
20
I

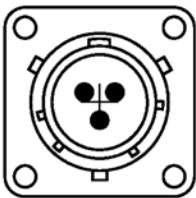
61 CONTACTS



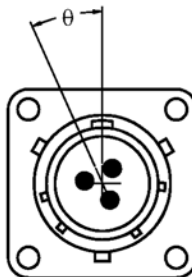
24-61*
20
I

Insert rotation

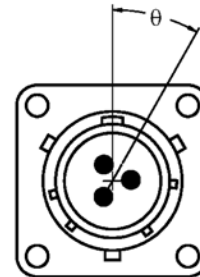
Normal position
with pin contacts



Alternate position
with socket contacts



Alternate position
with pin contacts



CONTACT LEGEND





Connector classes

A : For general applications .
MS 3057 cable clamps must be ordered separately. No grommet supplied.

A...PG : Plug with straight backshell PG threaded in compliance with DIN 40430 .

A...PG : Plug with straight backshell and PG cable clamp in compliance with DIN 40430 .

A...PHM : Quick and easy assembly , water resistant to IP67 . Supplied with different diameter sleeves to suit varying cable sizes.

A...PHM EMI : Quick and easy assembly , water resistant to IP67 , suitable for shielded cables . Supplied with different diameter sleeves to suit varying cable sizes.

A...SR : Same as class A , but with reduced cable clamp and rubber sleeve for cable protection.

E : Suitable for use with single cables.
Environmental sealing provided through insert seal and grommet seal.
No cable clamp supplied.

E...SR : Same as class E , but with reduced cable clamp and rubber sleeve for cable protection.

G : Plug with straight backshell for heatshrink sleeving .

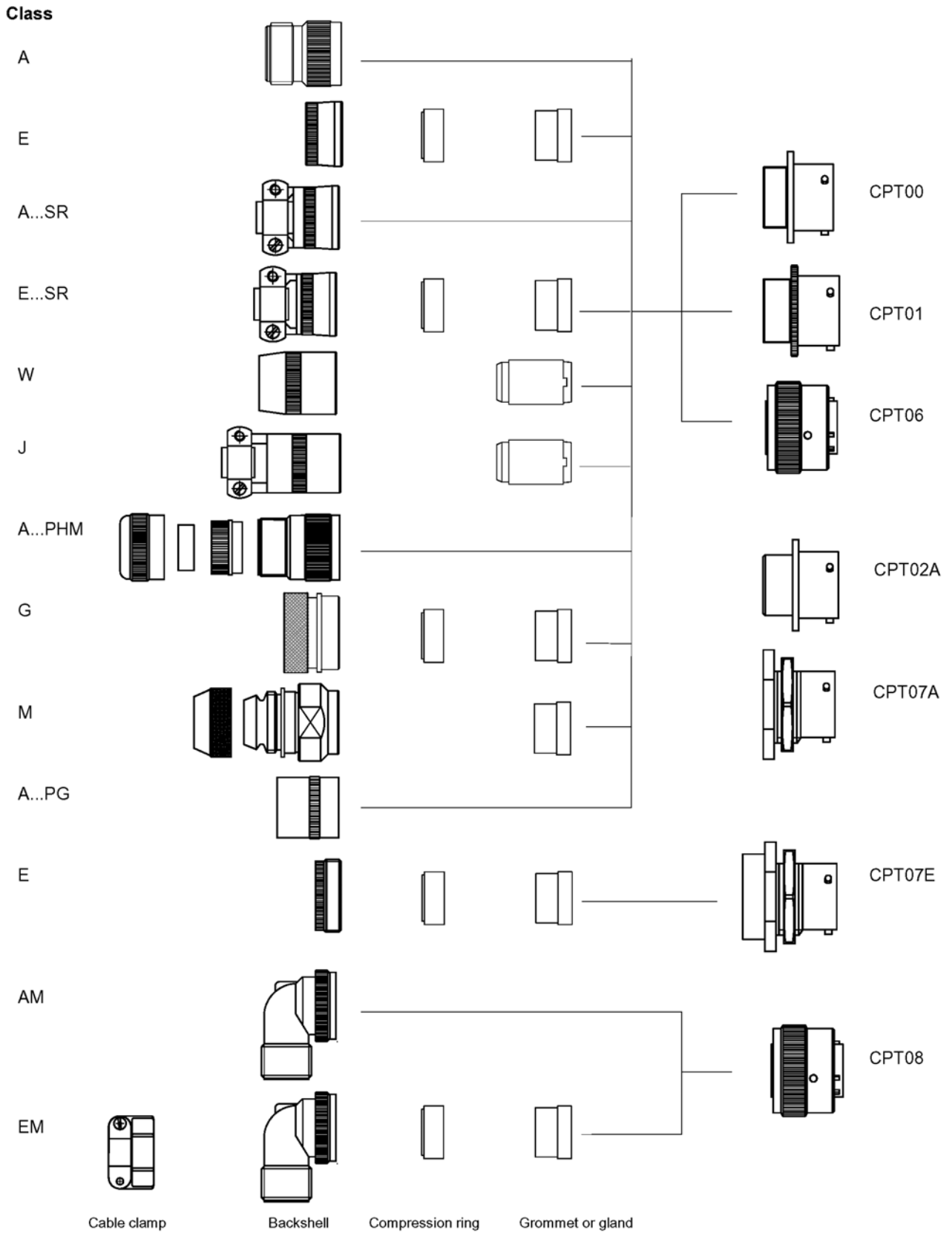
J : Same as class W , but with cable clamp for improved strain relief.

M : Plug with removable backshell for screened termination and heatshrink sleeving .

W : Long backshell to ease assembly.
Incorporates metal sleeve and gland seal to provide excellent cable sealing and improved environmental protection.
No cable clamp provided .



Styles and classes



Cable clamp

Backshell

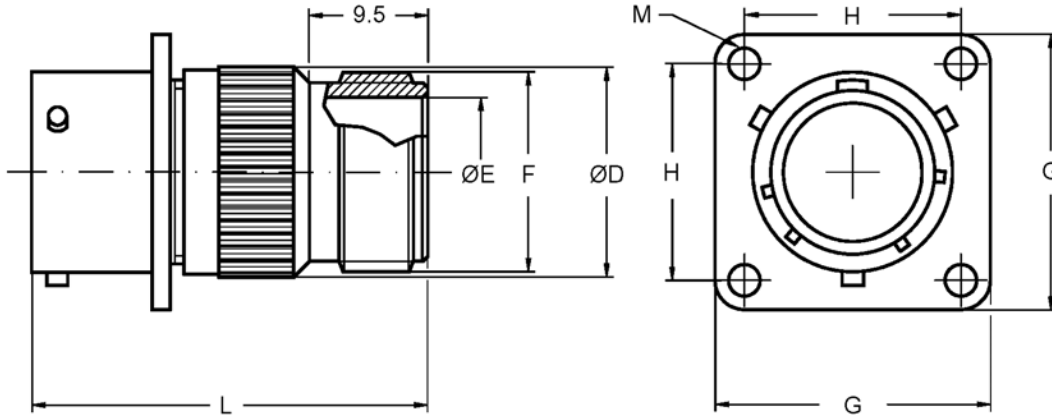
Compression ring

Grommet or gland



Wall mounting receptacle

CPT00A



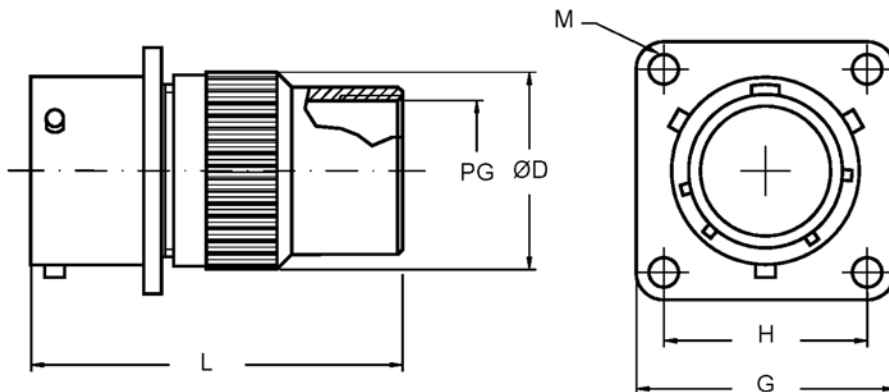
| Shell size | D | E | F thread in inches | G | H | L | M |
|------------|-------|-------|--------------------|------|-------|------|-------|
| | Max. | min. | | ±0.4 | ±0.1 | Max. | ±0.12 |
| 8 | 15.00 | 7.55 | .5000 - 28 UNEF | 20.6 | 15.10 | 40.9 | 3.04 |
| 10 | 18.20 | 10.70 | .6250 - 24 UNEF | 23.8 | 18.25 | 40.9 | 3.04 |
| 12 | 21.20 | 13.85 | .7500 - 20 UNEF | 26.2 | 20.60 | 40.9 | 3.04 |
| 14 | 24.60 | 16.85 | .8750 - 20 UNEF | 28.6 | 23.00 | 40.9 | 3.04 |
| 16 | 27.60 | 20.00 | 1.0000 - 20 UNEF | 31.0 | 24.60 | 40.9 | 3.04 |
| 18 | 30.90 | 22.30 | 1.1875 - 18 UNEF | 33.3 | 27.00 | 40.9 | 3.04 |
| 20 | 33.80 | 25.75 | 1.1875 - 18 UNEF | 36.5 | 29.35 | 45.0 | 3.04 |
| 22 | 37.10 | 28.80 | 1.4375 - 18 UNEF | 39.7 | 31.75 | 45.0 | 3.04 |
| 24 | 40.25 | 32.00 | 1.4375 - 18 UNEF | 42.9 | 39.40 | 45.0 | 3.73 |

Wall mounting receptacle with
 general duty backshell for cable
 clamp CM3057-XX A/B/C.
 No grommet supplied.



Wall mounting receptacle

CPT00A...PG__

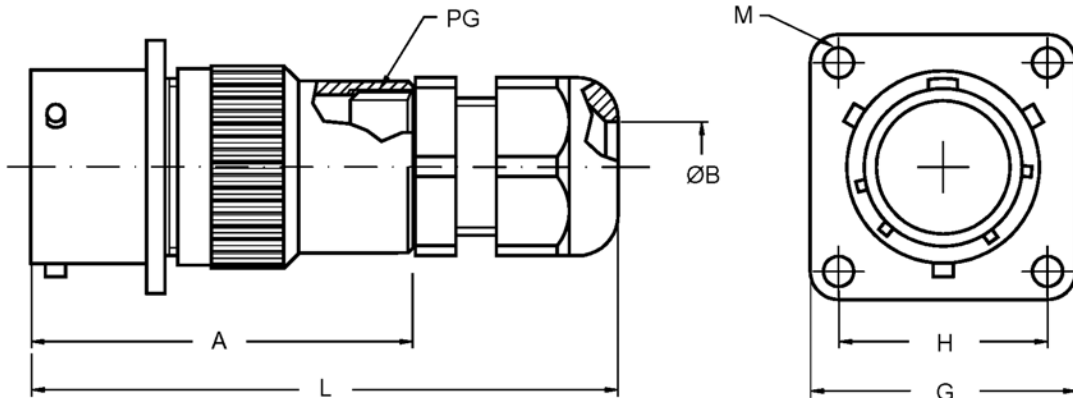


| Shell size | D Max | L Max | PG thread | H ±0.1 | G ±0.4 | M ±0.12 |
|------------|----------|----------|----------------|-----------|-----------|------------|
| 8 | 18.0 | 40 | 7 / 9 | 15.10 | 20.6 | 3.04 |
| 10 | 18.0 | 40 | 9 | 18.25 | 23.8 | 3.04 |
| 12 | 23.5 | 40 | 11 | 20.60 | 26.2 | 3.04 |
| 14 | 24.5 | 45 | 11 / 13.5 / 16 | 23.00 | 28.6 | 3.04 |
| 16 | 28.0 | 45 | 11 / 13.5 / 16 | 24.60 | 31.0 | 3.04 |
| 18 | 30.5 | 45 | 13.5 / 16 | 27.00 | 33.3 | 3.04 |
| 20 | 33.5 | 52 | 13.5 / 16 | 29.35 | 36.5 | 3.04 |
| 22 | 37.0 | 60 | 13.5 / 16 / 21 | 31.75 | 39.7 | 3.04 |
| 24 | 40.0 | 60 | 13.5 / 16 / 21 | 39.40 | 42.9 | 3.73 |

Wall mounting receptacle with backshell
 for use with PG glands (not included).
 Other PG sizes and types available on
 request.
 No grommet supplied.

Wall mounting receptacle

CPT00A...PH_ _



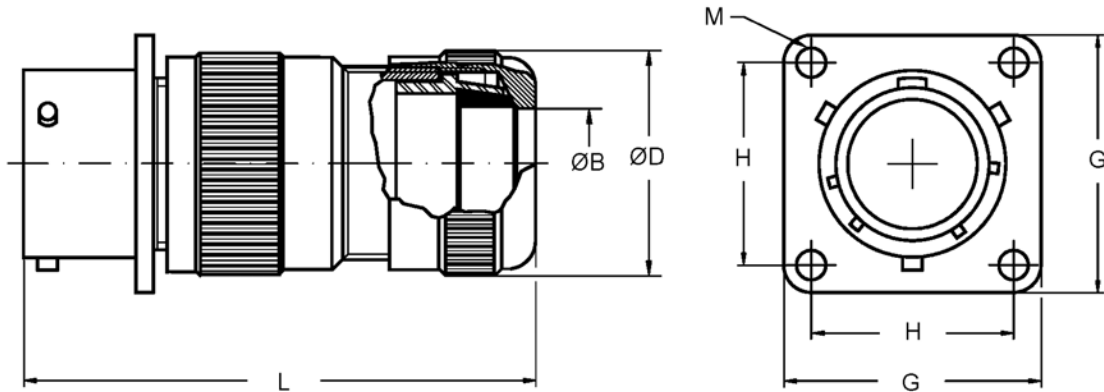
| Shell size | A Max | B min. ÷ max. | PG thread | L Max. | H ±0.1 | G ±0.4 | M ±0.12 |
|------------|----------|---------------------|----------------|-----------|-----------|-----------|------------|
| 8 | 40 | 3+6.5 / 4+8 | 7 / 9 | 65 | 15.10 | 20.6 | 3.04 |
| 10 | 40 | 4+8 | 9 | 65 | 18.25 | 23.8 | 3.04 |
| 12 | 40 | 5+10 | 11 | 65 | 20.60 | 26.2 | 3.04 |
| 14 | 45 | 5+10 / 6+12 / 9+14 | 11 / 13.5 / 16 | 75 | 23.00 | 28.6 | 3.04 |
| 16 | 45 | 5+10 / 6+12 / 9+14 | 11 / 13.5 / 16 | 75 | 24.60 | 31.0 | 3.04 |
| 18 | 45 | 6+12 / 9+14 | 13.5 / 16 | 75 | 27.00 | 33.3 | 3.04 |
| 20 | 52 | 6+12 / 9+14 | 13.5 / 16 | 82 | 29.35 | 36.5 | 3.04 |
| 22 | 60 | 6+12 / 9+14 / 13+18 | 13.5 / 16 / 21 | 95 | 31.75 | 39.7 | 3.04 |
| 24 | 60 | 6+12 / 9+14 / 13+18 | 13.5 / 16 / 21 | 95 | 39.40 | 42.9 | 3.73 |

Wall mounting receptacle with backshell and plastic PG cable gland . Other PG sizes and types available upon request.
No grommet supplied.



Wall mounting receptacle

CPT00A...PHM__



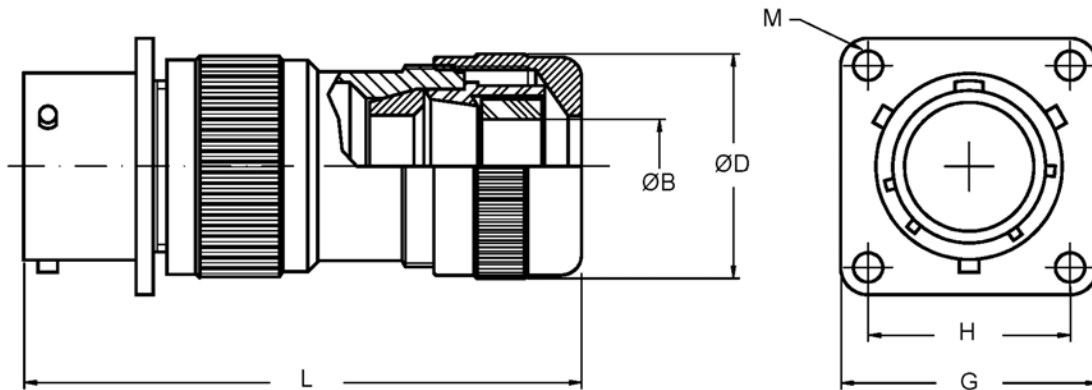
| Shell size | P.N. PHM | B | | D | G | H | L | M |
|------------|--------------|------------------------|--|------|------|-------|------|-------|
| | | min. ÷ max. | | Max. | ±0.4 | ±0.1 | Max. | ±0.12 |
| 8 | 11 | 2+11 | | 15.0 | 20.6 | 15.10 | 47.0 | 3.04 |
| 10 | 11 | 2+11 | | 21.0 | 23.8 | 18.25 | 49.0 | 3.04 |
| 12 | 11 | 2+11 | | 24.0 | 26.2 | 20.60 | 58.0 | 3.04 |
| 14 | 11 | 2+11 | | 24.0 | 28.6 | 23.00 | 58.0 | 3.04 |
| 16 | 11 | 2+11 | | 24.0 | 31.0 | 24.60 | 58.0 | 3.04 |
| 18 | 11 / 18 | 2+11 / 9+16.5 | | 42.0 | 33.3 | 27.00 | 75.0 | 3.04 |
| 20 | 18 | 9+16.5 | | 42.0 | 36.5 | 29.35 | 75.0 | 3.04 |
| 22 | 18 | 9+16.5 | | 42.0 | 39.7 | 31.75 | 75.0 | 3.04 |
| 24 | 18 / 22 / 24 | 9+16.5 / 15+20 / 19+24 | | 42.0 | 42.9 | 39.40 | 75.0 | 3.73 |

Wall mounting receptacle with PHM cable clamp. Rubber sleeves included to allow use of different diameter cables. No grommet supplied.



Wall mounting receptacle

CPT00A...PHM__EMI



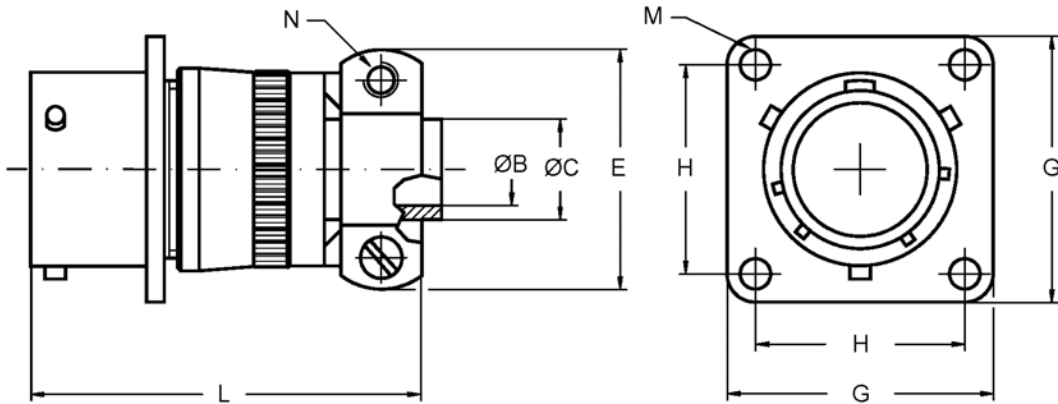
| Shell size | P.N. PHM | B | D | G | H | L | M |
|------------|--------------|------------------------|------|------|-------|------|-------|
| | | min. ÷ max. | Max. | ±0.4 | ±0.1 | Max. | ±0.12 |
| 8 | 11 | 2+11 | 15.0 | 20.6 | 15.10 | 60 | 3.04 |
| 10 | 11 | 2+11 | 21.0 | 23.8 | 18.25 | 60 | 3.04 |
| 12 | 11 | 2+11 | 24.0 | 26.2 | 20.60 | 70 | 3.04 |
| 14 | 11 | 2+11 | 24.0 | 28.6 | 23.00 | 70 | 3.04 |
| 16 | 11 | 2+11 | 24.0 | 31.0 | 24.60 | 70 | 3.04 |
| 18 | 11 / 18 | 2+11 / 9+16.5 | 42.0 | 33.3 | 27.00 | 85 | 3.04 |
| 20 | 18 | 9+16.5 | 42.0 | 36.5 | 29.35 | 85 | 3.04 |
| 22 | 18 | 9+16.5 | 42.0 | 39.7 | 31.75 | 85 | 3.04 |
| 24 | 18 / 22 / 24 | 9+16.5 / 15+20 / 19+24 | 42.0 | 42.9 | 39.40 | 85 | 3.73 |

Wall mounting receptacle with PHM cable clamp. Rubber sleeves included to allow use of different diameter cables. No grommet supplied.



Wall mounting receptacle

CPT00A...SR



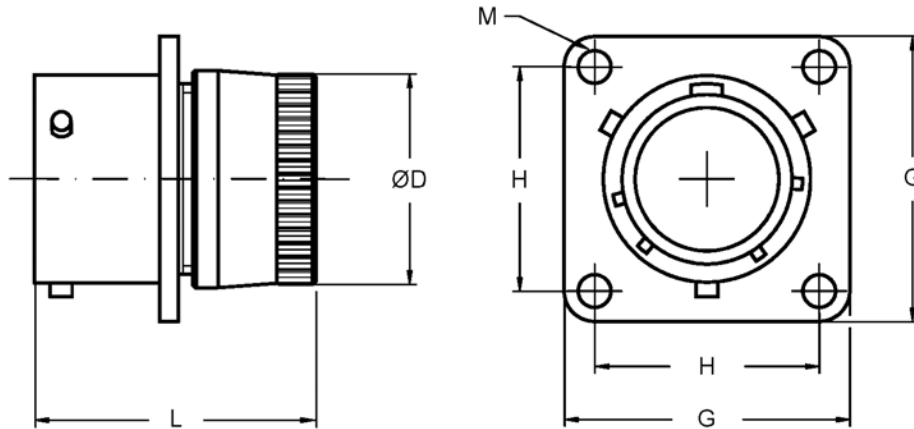
| Shell size | B ± 0.25 | C min. | E Max. | G ± 0.4 | H ± 0.1 | L Max. | M ± 0.12 | N |
|------------|-------------|-----------|-----------|------------|------------|-----------|-------------|--------|
| 8 | 3.2 | 6.10 | 20.60 | 20.6 | 15.10 | 45.1 | 3.04 | 6 - 32 |
| 10 | 4.8 | 7.70 | 22.20 | 23.8 | 18.25 | 45.1 | 3.04 | 6 - 32 |
| 12 | 7.9 | 10.90 | 25.40 | 26.2 | 20.60 | 45.1 | 3.04 | 6 - 32 |
| 14 | 9.5 | 14.00 | 28.60 | 28.6 | 23.00 | 45.1 | 3.04 | 6 - 32 |
| 16 | 12.7 | 15.60 | 30.20 | 31.0 | 24.60 | 48.4 | 3.04 | 6 - 32 |
| 18 | 15.9 | 18.80 | 36.50 | 33.3 | 27.00 | 48.4 | 3.04 | 8 - 32 |
| 20 | 15.9 | 18.80 | 36.50 | 36.5 | 29.35 | 54.8 | 3.04 | 8 - 32 |
| 22 | 19.0 | 23.60 | 43.65 | 39.7 | 31.75 | 54.8 | 3.04 | 8 - 32 |
| 24 | 20.3 | 25.15 | 43.65 | 42.9 | 39.40 | 56.4 | 3.73 | 8 - 32 |

Wall mounting receptacle.
Includes backshell with sleeve and cable clamp.
No grommet supplied.



Wall mounting receptacle

CPT00E



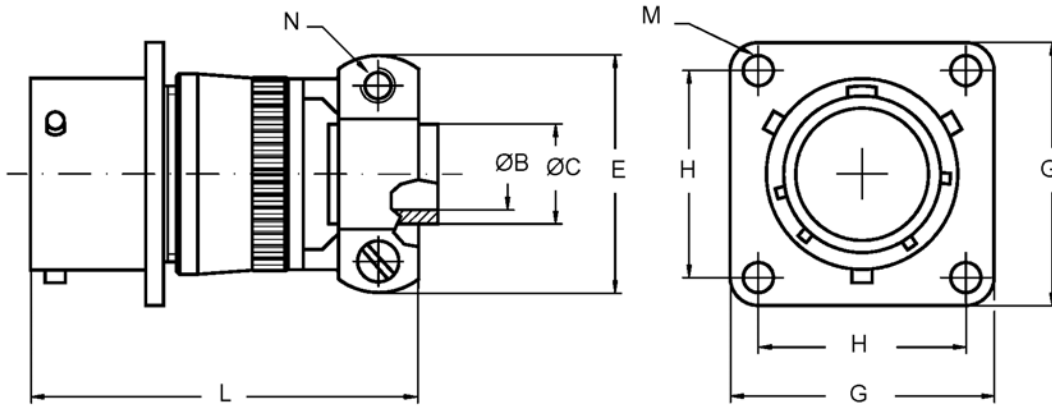
| | D | G | H | L | M |
|------------|-------|-------|-------|-------|--------|
| Shell size | Max. | ± 0.4 | ± 0.1 | Max. | ± 0.12 |
| 8 | 14.20 | 20.6 | 15.10 | 32.15 | 3.04 |
| 10 | 17.40 | 23.8 | 18.25 | 32.15 | 3.04 |
| 12 | 20.65 | 26.2 | 20.60 | 32.15 | 3.04 |
| 14 | 23.60 | 28.6 | 23.00 | 32.15 | 3.04 |
| 16 | 26.85 | 31.0 | 24.60 | 32.15 | 3.04 |
| 18 | 29.85 | 33.3 | 27.00 | 32.15 | 3.04 |
| 20 | 33.00 | 36.5 | 29.35 | 38.50 | 3.04 |
| 22 | 36.30 | 39.7 | 31.75 | 38.50 | 3.04 |
| 24 | 39.50 | 42.9 | 39.40 | 40.10 | 3.73 |

Wall mounting receptacle.
Includes sealing grommet and backshell.
For use with individual wires.



Wall mouning receptacle

CPT00E...SR



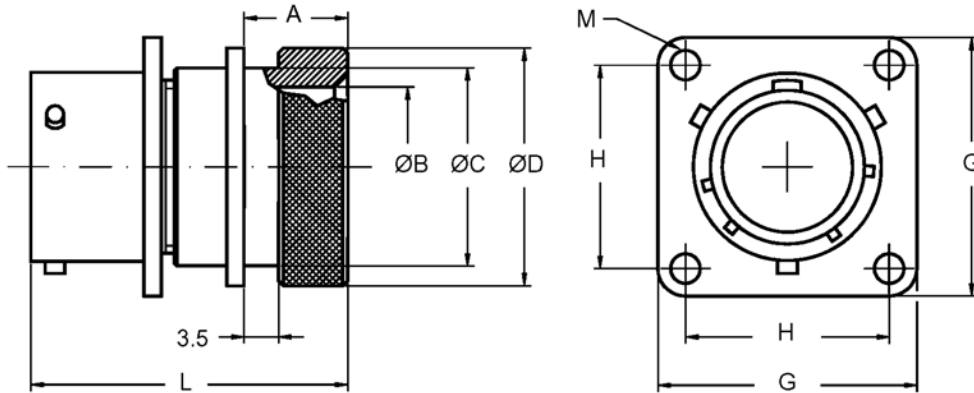
| | B | C | E | G | H | L | M | N |
|-------------------|---------------|-------------|-------------|--------------|--------------|-------------|---------------|--------|
| Shell size | ± 0.25 | min. | Max. | ± 0.4 | ± 0.1 | Max. | ± 0.12 | |
| 8 | 3.2 | 6.10 | 20.60 | 20.6 | 15.10 | 45.1 | 3.04 | 6 - 32 |
| 10 | 4.8 | 7.70 | 22.20 | 23.8 | 18.25 | 45.1 | 3.04 | 6 - 32 |
| 12 | 7.9 | 10.90 | 25.40 | 26.2 | 20.60 | 45.1 | 3.04 | 6 - 32 |
| 14 | 9.5 | 14.00 | 28.60 | 28.6 | 23.00 | 45.1 | 3.04 | 6 - 32 |
| 16 | 12.7 | 15.60 | 30.20 | 31.0 | 24.60 | 48.4 | 3.04 | 6 - 32 |
| 18 | 15.9 | 18.80 | 36.50 | 33.3 | 27.00 | 48.4 | 3.04 | 8 - 32 |
| 20 | 15.9 | 18.80 | 36.50 | 36.5 | 29.35 | 54.8 | 3.04 | 8 - 32 |
| 22 | 19.0 | 23.60 | 43.65 | 39.7 | 31.75 | 54.8 | 3.04 | 8 - 32 |
| 24 | 20.3 | 25.15 | 43.65 | 42.9 | 39.40 | 56.4 | 3.73 | 8 - 32 |

Wall mounting receptacle with sealing grommet , cable clamp and rubber sleeve for cable protection.



Wall mounting receptacle

CPT00G



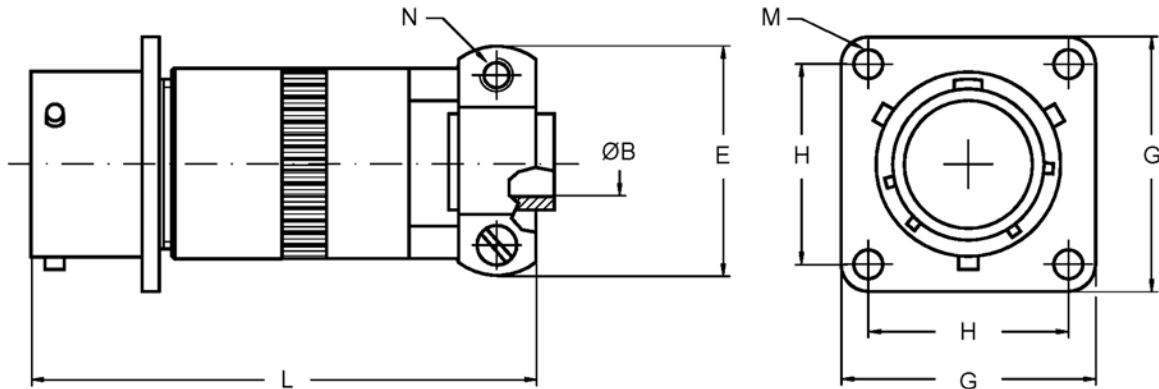
| | A | B | C | D | G | H | L | M |
|-------------------|--------------|----------------------|----------------------|----------------------|--------------|--------------|-------------|---------------|
| Shell size | ± 0.1 | + 0.1 - 0 | + 0 - 0.1 | + 0 - 0.3 | ± 0.4 | ± 0.1 | Max. | ± 0.12 |
| 8 | 12.2 | 8.20 | 13.0 | 15.5 | 20.6 | 15.10 | 39 | 3.04 |
| 10 | 12.2 | 11.40 | 15.8 | 18.3 | 23.8 | 18.25 | 39 | 3.04 |
| 12 | 12.2 | 14.55 | 21.0 | 23.6 | 26.2 | 20.60 | 39 | 3.04 |
| 14 | 12.2 | 17.50 | 21.8 | 24.4 | 28.6 | 23.00 | 39 | 3.04 |
| 16 | 14.5 | 20.60 | 25.9 | 29.7 | 31.0 | 24.60 | 42 | 3.04 |
| 18 | 14.5 | 23.15 | 28.2 | 31.9 | 33.3 | 27.00 | 42 | 3.04 |
| 20 | 15.8 | 26.50 | 32.2 | 36.0 | 36.5 | 29.35 | 47 | 3.04 |
| 22 | 15.8 | 29.60 | 34.5 | 38.4 | 39.7 | 31.75 | 47 | 3.04 |
| 24 | 14.9 | 32.80 | 37.6 | 41.5 | 42.9 | 39.40 | 47 | 3.73 |

Wall mounting receptacle with sealing grommet and backshell for heat shrink sleeves .



Wall mounting receptacle

CPT00J



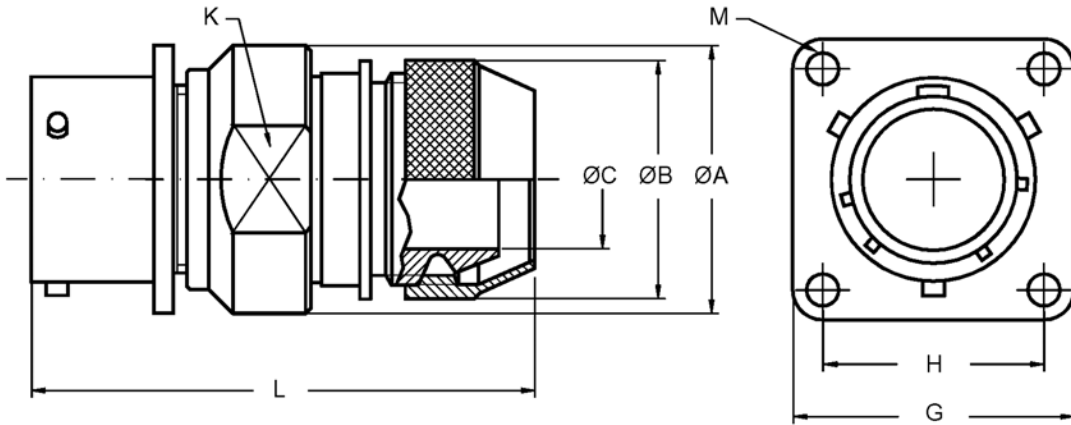
| | B | E | G | H | L | M | N |
|-------------------|---------------|-------------|--------------|--------------|-------------|---------------|--------|
| Shell size | ± 0.25 | Max. | ± 0.4 | ± 0.1 | Max. | ± 0.12 | |
| 8 | 3.2 | 20.60 | 20.6 | 15.10 | 55.45 | 3.04 | 6 - 32 |
| 10 | 4.8 | 22.20 | 23.8 | 18.25 | 55.45 | 3.04 | 6 - 32 |
| 12 | 7.9 | 25.40 | 26.2 | 20.60 | 59.05 | 3.04 | 6 - 32 |
| 14 | 9.5 | 28.60 | 28.6 | 23.00 | 63.95 | 3.04 | 6 - 32 |
| 16 | 12.7 | 30.20 | 31.0 | 24.60 | 72.80 | 3.04 | 6 - 32 |
| 18 | 15.9 | 36.50 | 33.3 | 27.00 | 78.65 | 3.04 | 8 - 32 |
| 20 | 15.9 | 36.50 | 36.5 | 29.35 | 89.70 | 3.04 | 8 - 32 |
| 22 | 19.0 | 43.65 | 39.7 | 31.75 | 93.90 | 3.04 | 8 - 32 |
| 24 | 20.3 | 43.65 | 42.9 | 39.40 | 100.00 | 3.73 | 8 - 32 |

Wall mounting receptacle with backshell incorporating a metal sleeve , with gland seal and cable clamp.
No grommet supplied



Wall mounting receptacle

CPT00M



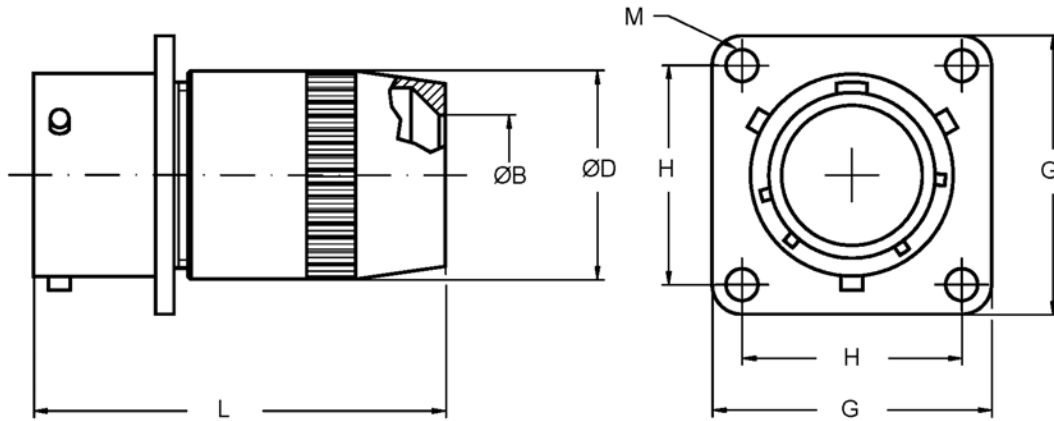
| Shell size | A Max | B Max | C min | G ±0.4 | H ±0.1 | L Max. | M ±0.12 | K key |
|------------|----------|----------|----------|-----------|-----------|-----------|------------|-------|
| 8 | 19.80 | 16.3 | 6.70 | 20.6 | 15.10 | 52.0 | 3.04 | 18 |
| 10 | 22.50 | 18.4 | 9.30 | 23.8 | 18.25 | 52.0 | 3.04 | 21 |
| 12 | 26.90 | 22.4 | 12.25 | 26.2 | 20.60 | 52.0 | 3.04 | 24 |
| 14 | 29.90 | 25.4 | 15.40 | 28.6 | 23.00 | 53.0 | 3.04 | 28 |
| 16 | 32.85 | 28.4 | 18.50 | 31.0 | 24.60 | 53.0 | 3.04 | 31 |
| 18 | 35.80 | 32.4 | 20.20 | 33.3 | 27.00 | 53.0 | 3.04 | 34 |
| 20 | 39.60 | 34.4 | 23.20 | 36.5 | 29.35 | 57.0 | 3.04 | 37 |
| 22 | 42.90 | 38.4 | 26.05 | 39.7 | 31.75 | 57.0 | 3.04 | 41 |
| 24 | 45.90 | 41.3 | 30.00 | 42.9 | 39.40 | 58.5 | 3.73 | 44 |

Wall mounting receptacle with backshell
for terminating shielded cable.
Suitable for heat shrink boots.



Wall mounting receptacle

CPT00W



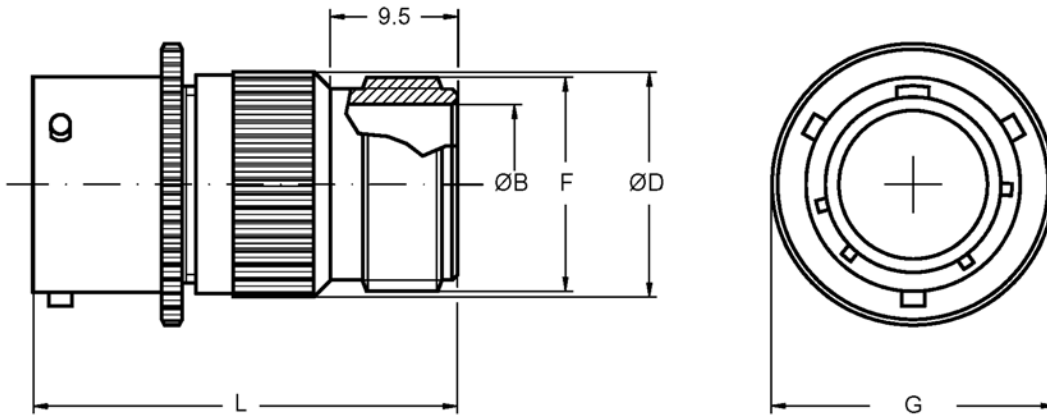
| Shell size | B | | D | G | H | L | M |
|------------|-------|-------|-------|-------|-------|-------|--------|
| | min. | Max. | Max. | ± 0.4 | ± 0.1 | Max. | ± 0.12 |
| 8 | 4.25 | 5.85 | 13.90 | 20.6 | 15.10 | 43.30 | 3.04 |
| 10 | 5.20 | 7.90 | 17.15 | 23.8 | 18.25 | 43.30 | 3.04 |
| 12 | 8.60 | 11.20 | 20.60 | 26.2 | 20.60 | 46.90 | 3.04 |
| 14 | 10.55 | 13.70 | 23.90 | 28.6 | 23.00 | 51.80 | 3.04 |
| 16 | 14.00 | 15.65 | 27.10 | 31.0 | 24.60 | 57.30 | 3.04 |
| 18 | 15.25 | 17.10 | 30.30 | 33.3 | 27.00 | 63.15 | 3.04 |
| 20 | 16.10 | 19.00 | 33.60 | 36.5 | 29.35 | 74.20 | 3.04 |
| 22 | 17.00 | 21.50 | 36.80 | 39.7 | 31.75 | 78.40 | 3.04 |
| 24 | 18.80 | 22.70 | 40.00 | 42.9 | 39.40 | 84.10 | 3.73 |

Wall mounting receptacle with backshell incorporating metal sleeve and gland seal. No grommet supplied.



In - line receptacle

CPT01A



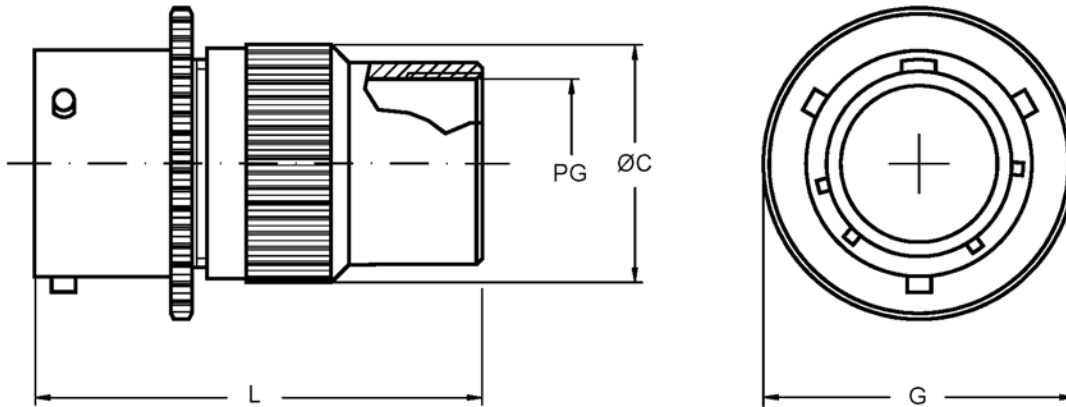
| Shell size | B min. | D Max. | F Thread in inches | G ±0.1 | L Max. |
|------------|-----------|-----------|-----------------------|-----------|-----------|
| 8 | 7.55 | 15.00 | .5000 - 28 UNEF | 17.3 | 40.9 |
| 10 | 10.70 | 18.20 | .6250 - 24 UNEF | 21.8 | 40.9 |
| 12 | 13.85 | 21.20 | .7500 - 20 UNEF | 25.1 | 40.9 |
| 14 | 16.85 | 24.60 | .8750 - 20 UNEF | 28.6 | 40.9 |
| 16 | 20.00 | 27.60 | 1.0000 - 20 UNEF | 30.6 | 40.9 |
| 18 | 22.30 | 30.90 | 1.1875 - 18 UNEF | 33.2 | 40.9 |
| 20 | 25.75 | 33.80 | 1.1875 - 18 UNEF | 36.5 | 45.0 |
| 22 | 28.80 | 37.10 | 1.4375 - 18 UNEF | 39.6 | 45.0 |
| 24 | 32.00 | 40.25 | 1.4375 - 18 UNEF | 43.1 | 46.0 |

In line receptacle with general duty backshell for cable CM3057-XX A/B/C.
No grommet supplied.



In - line receptacle

CPT01A...PG__



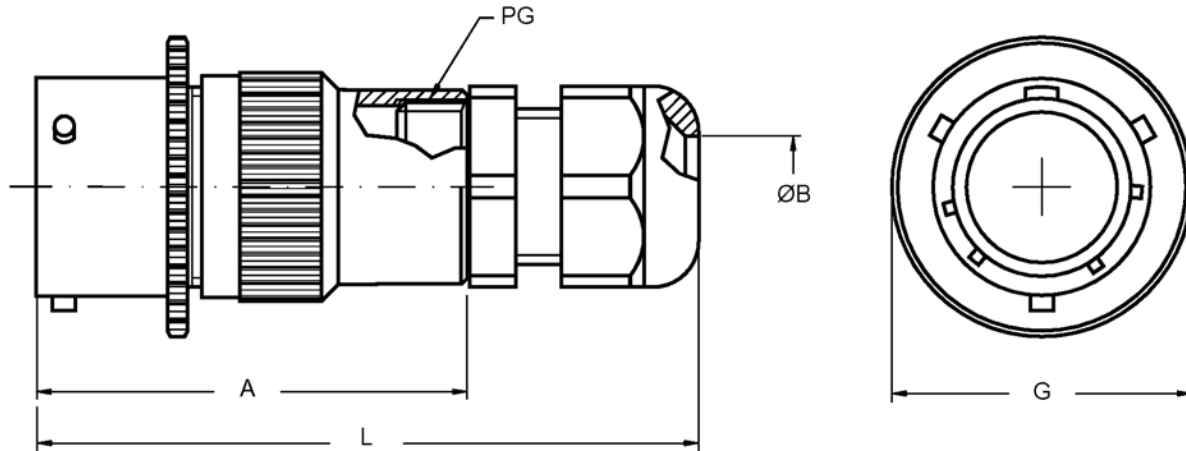
| Shell size | C Max | L Max | PG thread | G ±0.1 |
|------------|----------|----------|----------------|-----------|
| 8 | 18.0 | 40 | 7 / 9 | 17.3 |
| 10 | 18.0 | 40 | 9 | 21.8 |
| 12 | 23.5 | 40 | 11 | 25.1 |
| 14 | 24.5 | 45 | 11 / 13.5 / 16 | 28.6 |
| 16 | 28.0 | 45 | 11 / 13.5 / 16 | 30.6 |
| 18 | 30.5 | 45 | 13.5 / 16 | 33.2 |
| 20 | 33.5 | 52 | 13.5 / 16 | 36.5 |
| 22 | 37.0 | 60 | 13.5 / 16 / 21 | 39.6 |
| 24 | 40.0 | 60 | 13.5 / 16 / 21 | 43.1 |

In line receptacle with backshell for use with PG glands (not included). Other PG sizes and types available on request.
No grommet supplied.



In - line receptacle

CPT01A...PH__



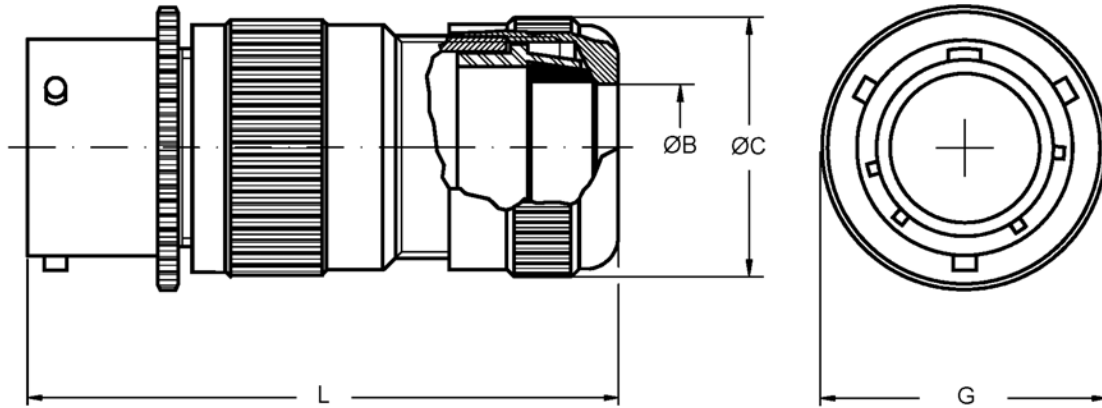
| | A | B | | L | G |
|------------|-----|---------------------|----------------|------|------|
| Shell size | Max | min. ÷ max. | PG thread | Max. | ±0.1 |
| 8 | 40 | 3+6.5 / 4+8 | 7 / 9 | 65 | 17.3 |
| 10 | 40 | 4+8 | 9 | 65 | 21.8 |
| 12 | 40 | 5+10 | 11 | 65 | 25.1 |
| 14 | 45 | 5+10 / 6+12 / 9+14 | 11 / 13.5 / 16 | 75 | 28.6 |
| 16 | 45 | 5+10 / 6+12 / 9+14 | 11 / 13.5 / 16 | 75 | 30.6 |
| 18 | 45 | 6+12 / 9+14 | 13.5 / 16 | 75 | 33.2 |
| 20 | 52 | 6+12 / 9+14 | 13.5 / 16 | 82 | 36.5 |
| 22 | 60 | 6+12 / 9+14 / 13+18 | 13.5 / 16 / 21 | 95 | 39.6 |
| 24 | 60 | 6+12 / 9+14 / 13+18 | 13.5 / 16 / 21 | 95 | 43.1 |

In line receptacle with backshell and plastic PG cable gland . Other PG sizes and types available upon request.
No grommet supplied.



In - line receptacle

CPT01A...PHM__

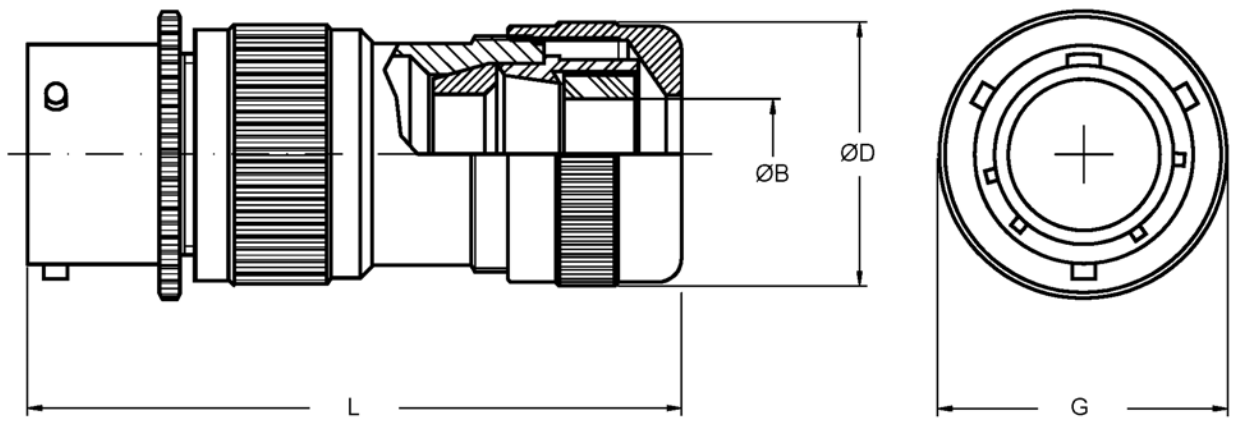


| Shell size | P.N. PHM | B min. ÷ Max. | C Max. | G ±0.1 | L Max. |
|------------|--------------|------------------------|-----------|-----------|-----------|
| 8 | 11 | 2÷11 | 15 | 17.3 | 47 |
| 10 | 11 | 2÷11 | 21 | 21.8 | 49 |
| 12 | 11 | 2÷11 | 24 | 25.1 | 58 |
| 14 | 11 | 2÷11 | 24 | 28.6 | 58 |
| 16 | 11 | 2÷11 | 24 | 30.6 | 58 |
| 18 | 11 / 18 | 2÷11 / 9÷16.5 | 42 | 33.2 | 75 |
| 20 | 18 | 9÷16.5 | 42 | 36.5 | 75 |
| 22 | 18 | 9÷16.5 | 42 | 39.6 | 75 |
| 24 | 18 / 22 / 24 | 9÷16.5 / 15÷20 / 19÷24 | 42 | 43.1 | 75 |

In line receptacle with PHM cable clamp.
 Rubber sleeves included to allow use of
 different diameter cables.
 No grommet supplied.



In - line receptacle
CPT01A...PHM__EMI



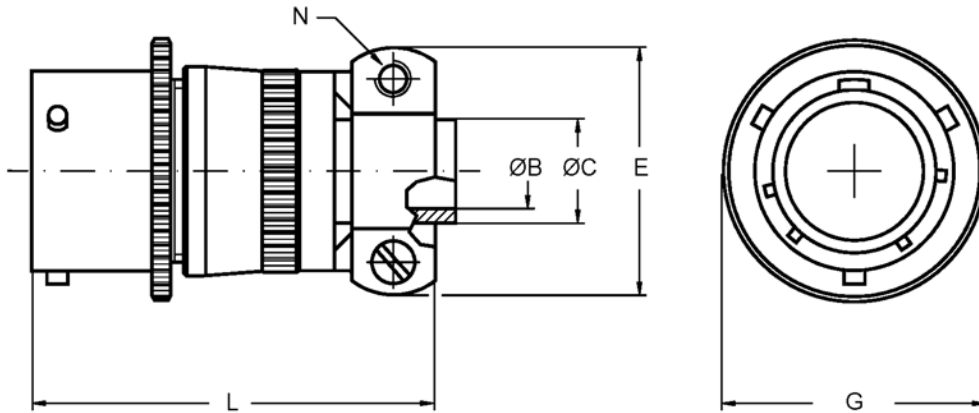
| Shell size | P.N. PHM | B min. ÷ max. | D Max. | G ±0.1 | L Max. |
|------------|--------------|------------------------|-----------|-----------|-----------|
| 8 | 11 | 2+11 | 15.0 | 17.3 | 60 |
| 10 | 11 | 2+11 | 21.0 | 21.8 | 60 |
| 12 | 11 | 2+11 | 24.0 | 25.1 | 70 |
| 14 | 11 | 2+11 | 24.0 | 28.6 | 70 |
| 16 | 11 | 2+11 | 24.0 | 30.6 | 70 |
| 18 | 11 / 18 | 2+11 / 9+16.5 | 42.0 | 33.2 | 85 |
| 20 | 18 | 9+16.5 | 42.0 | 36.5 | 85 |
| 22 | 18 | 9+16.5 | 42.0 | 39.6 | 85 |
| 24 | 18 / 22 / 24 | 9+16.5 / 15+20 / 19+24 | 42.0 | 43.1 | 85 |

In line receptacle with PHM cable clamp.
 Rubber sleeves included to allow use of
 different diameter cables.
 No grommet supplied.



In - line receptacle

CPT01A...SR



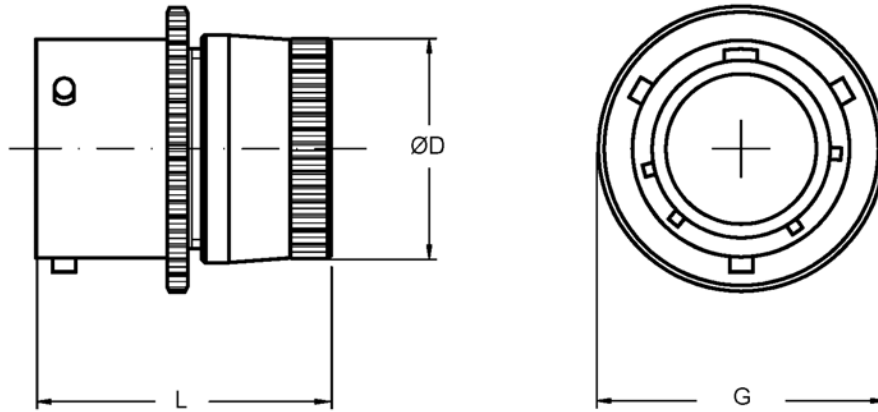
| | B | C | E | G | L | N |
|-------------------|--------------|-------------|-------------|-------------|-------------|----------|
| Shell size | ±0.25 | min. | Max. | ±0.1 | Max. | |
| 8 | 3.2 | 6.10 | 20.60 | 17.3 | 45.1 | 6 - 32 |
| 10 | 4.8 | 7.70 | 22.20 | 21.8 | 45.1 | 6 - 32 |
| 12 | 7.9 | 10.90 | 25.40 | 25.1 | 45.1 | 6 - 32 |
| 14 | 9.5 | 14.00 | 28.60 | 28.6 | 45.1 | 6 - 32 |
| 16 | 12.7 | 15.60 | 30.20 | 30.6 | 48.4 | 6 - 32 |
| 18 | 15.9 | 18.80 | 36.50 | 33.2 | 48.4 | 8 - 32 |
| 20 | 15.9 | 18.80 | 36.50 | 36.5 | 54.8 | 8 - 32 |
| 22 | 19.0 | 23.60 | 43.65 | 39.6 | 54.8 | 8 - 32 |
| 24 | 20.3 | 25.15 | 43.65 | 43.1 | 56.4 | 8 - 32 |

In line receptacle with cable clamp and rubber sleeve. No grommet supplied.



In - line receptacle

CPT01E



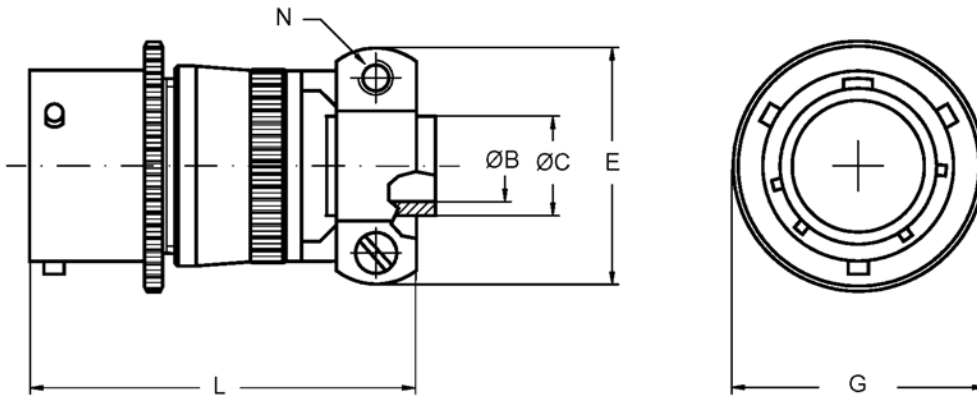
| | D | G | L |
|-------------------|-------------|-------------|-------------|
| Shell size | Max. | ±0.1 | Max. |
| 8 | 14.20 | 17.3 | 32.15 |
| 10 | 17.40 | 21.8 | 32.15 |
| 12 | 20.65 | 25.1 | 32.15 |
| 14 | 23.60 | 28.6 | 32.15 |
| 16 | 26.85 | 30.6 | 32.15 |
| 18 | 29.85 | 33.2 | 32.15 |
| 20 | 33.00 | 36.5 | 38.50 |
| 22 | 36.30 | 39.6 | 38.50 |
| 24 | 39.50 | 43.1 | 40.10 |

In line receptacle with grommet and grommet nut.



In - line receptacle

CPT01E...SR



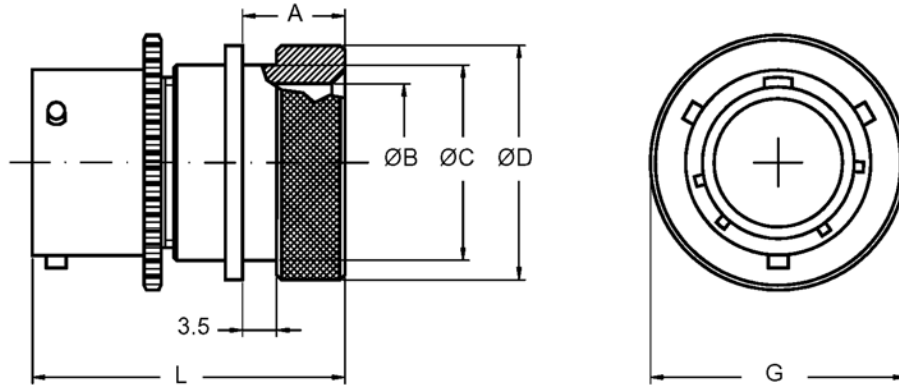
| Shell size | B ±0.25 | C min. | E Max. | G ±0.1 | L Max. | N |
|------------|------------|-----------|-----------|-----------|-----------|--------|
| 8 | 3.2 | 6.10 | 20.60 | 17.3 | 45.1 | 6 - 32 |
| 10 | 4.8 | 7.70 | 22.20 | 21.8 | 45.1 | 6 - 32 |
| 12 | 7.9 | 10.90 | 25.40 | 25.1 | 45.1 | 6 - 32 |
| 14 | 9.5 | 14.00 | 28.60 | 28.6 | 45.1 | 6 - 32 |
| 16 | 12.7 | 15.60 | 30.20 | 30.6 | 48.4 | 6 - 32 |
| 18 | 15.9 | 18.80 | 36.50 | 33.2 | 48.4 | 8 - 32 |
| 20 | 15.9 | 18.80 | 36.50 | 36.5 | 54.8 | 8 - 32 |
| 22 | 19.0 | 23.60 | 43.65 | 39.6 | 54.8 | 8 - 32 |
| 24 | 20.3 | 25.15 | 43.65 | 43.1 | 56.4 | 8 - 32 |

In line receptacle with sealing grommet ,
cable clamp and rubber sleeve for cable
protection.



In - line receptacle

CPT01G



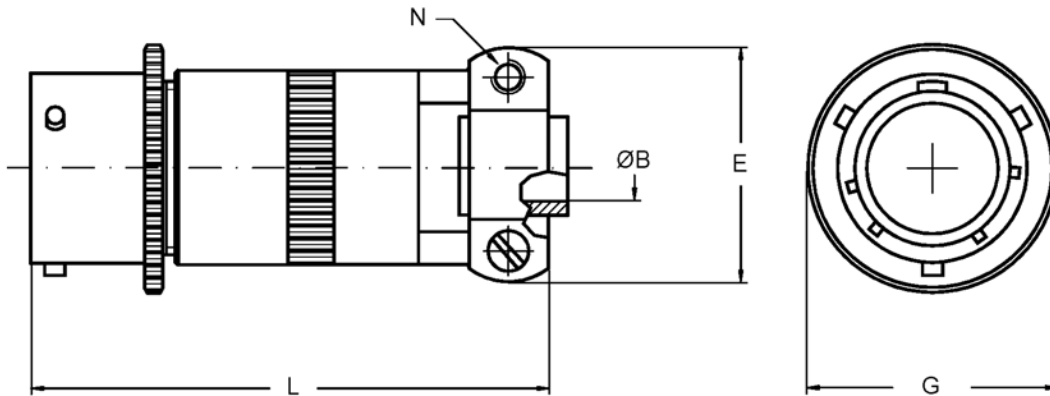
| Size | A ±0.1 | ØB +0.1 -0 | ØC +0 -0.1 | ØD +0 -0.3 | L Max. | ØG ±0.1 |
|------|-----------|------------------|------------------|------------------|-----------|------------|
| 8 | 12.2 | 8.20 | 13.0 | 15.5 | 39 | 17.3 |
| 10 | 12.2 | 11.40 | 15.8 | 18.3 | 39 | 21.8 |
| 12 | 12.2 | 14.55 | 21.0 | 23.6 | 39 | 25.1 |
| 14 | 12.2 | 17.50 | 21.8 | 24.4 | 39 | 28.6 |
| 16 | 14.5 | 20.60 | 25.9 | 29.7 | 42 | 30.6 |
| 18 | 14.5 | 23.15 | 28.2 | 31.9 | 42 | 33.2 |
| 20 | 15.8 | 26.50 | 32.2 | 36.0 | 47 | 36.5 |
| 22 | 15.8 | 29.60 | 34.5 | 38.4 | 47 | 39.6 |
| 24 | 14.9 | 32.80 | 37.6 | 41.5 | 47 | 43.1 |

In line receptacle with sealing grommet and backshell for heat shrink sleeves .



In - line receptacle

CPT01J



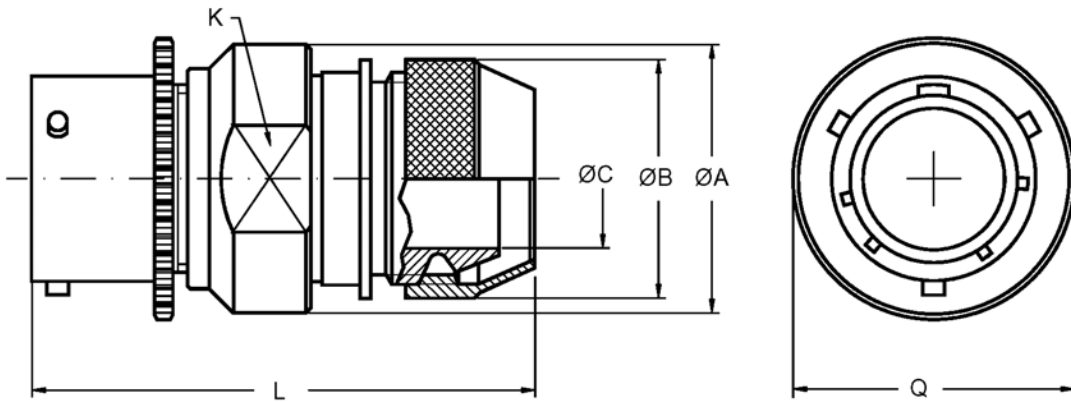
| | B | E | G | L | N |
|-------------------|--------------|-------------|-------------|-------------|--------|
| Shell size | ±0.25 | Max. | ±0.1 | Max. | |
| 8 | 3.2 | 20.60 | 17.3 | 55.45 | 6 - 32 |
| 10 | 4.8 | 22.20 | 21.8 | 55.45 | 6 - 32 |
| 12 | 7.9 | 25.40 | 25.1 | 59.05 | 6 - 32 |
| 14 | 9.5 | 28.60 | 28.6 | 63.95 | 6 - 32 |
| 16 | 12.7 | 30.20 | 30.6 | 72.80 | 6 - 32 |
| 18 | 15.9 | 36.50 | 33.2 | 78.65 | 8 - 32 |
| 20 | 15.9 | 36.50 | 36.5 | 89.70 | 8 - 32 |
| 22 | 19.0 | 43.65 | 39.6 | 93.90 | 8 - 32 |
| 24 | 20.3 | 43.65 | 43.1 | 100.00 | 8 - 32 |

In line receptacle with backshell incorporating a metal sleeve with gland seal and cable clamp. No grommet supplied.



In - line receptacle

CPT01M

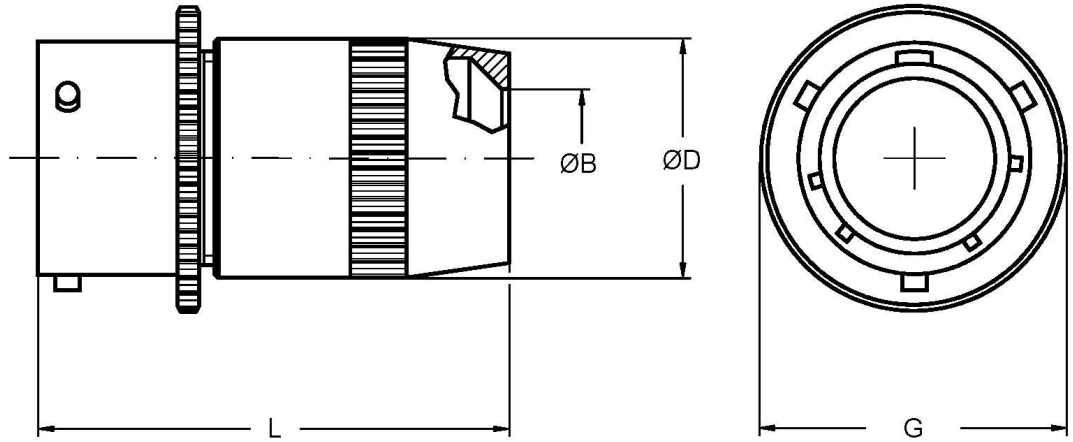


| Shell size | A Max. | B Max. | C min. | K key | L Max | G ±0.1 |
|------------|-----------|-----------|-----------|-------|----------|-----------|
| 8 | 19.80 | 16.3 | 6.70 | 18 | 52.0 | 17.3 |
| 10 | 22.50 | 18.4 | 9.30 | 21 | 52.0 | 21.8 |
| 12 | 26.90 | 22.4 | 12.25 | 24 | 52.0 | 25.1 |
| 14 | 29.90 | 25.4 | 15.40 | 28 | 53.0 | 28.6 |
| 16 | 32.85 | 28.4 | 18.50 | 31 | 53.0 | 30.6 |
| 18 | 35.80 | 32.4 | 20.20 | 34 | 53.0 | 33.0 |
| 20 | 39.60 | 34.4 | 23.20 | 37 | 57.0 | 36.5 |
| 22 | 42.90 | 38.4 | 26.05 | 41 | 57.0 | 39.6 |
| 24 | 45.90 | 41.3 | 30.00 | 44 | 58.5 | 43.1 |

In line receptacle with backshell for terminating shielded cable.
 Suitable for heat shrink boots.

In - line receptacle

CPT01W



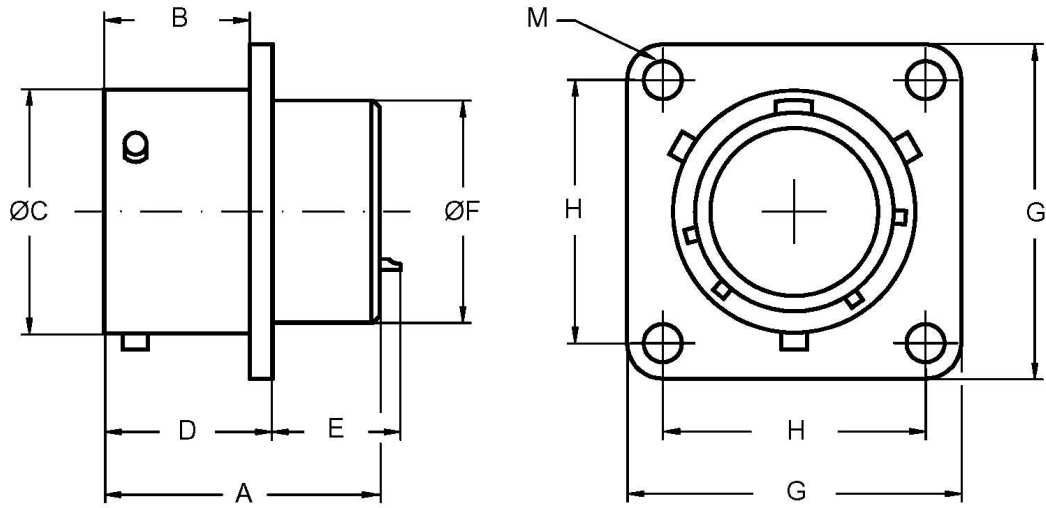
| Shell size | B | | D | G | L |
|------------|-------|-------|-------|------|-------|
| | min. | Max. | Max. | ±0.1 | Max. |
| 8 | 4.25 | 5.85 | 13.90 | 17.3 | 43.30 |
| 10 | 5.20 | 7.90 | 17.15 | 21.8 | 43.30 |
| 12 | 8.60 | 11.20 | 20.60 | 25.1 | 46.90 |
| 14 | 10.55 | 13.70 | 23.90 | 28.6 | 51.80 |
| 16 | 14.00 | 15.65 | 27.10 | 30.6 | 57.30 |
| 18 | 15.25 | 17.10 | 30.30 | 33.2 | 63.15 |
| 20 | 16.10 | 19.00 | 33.60 | 36.5 | 74.20 |
| 22 | 17.00 | 21.50 | 36.80 | 39.6 | 78.40 |
| 24 | 18.80 | 22.70 | 40.00 | 43.1 | 84.10 |

In line receptacle with backshell incorporating a metal sleeve and gland seal. No grommet supplied.

Box mounting receptacle

CPT02A

CPT02E

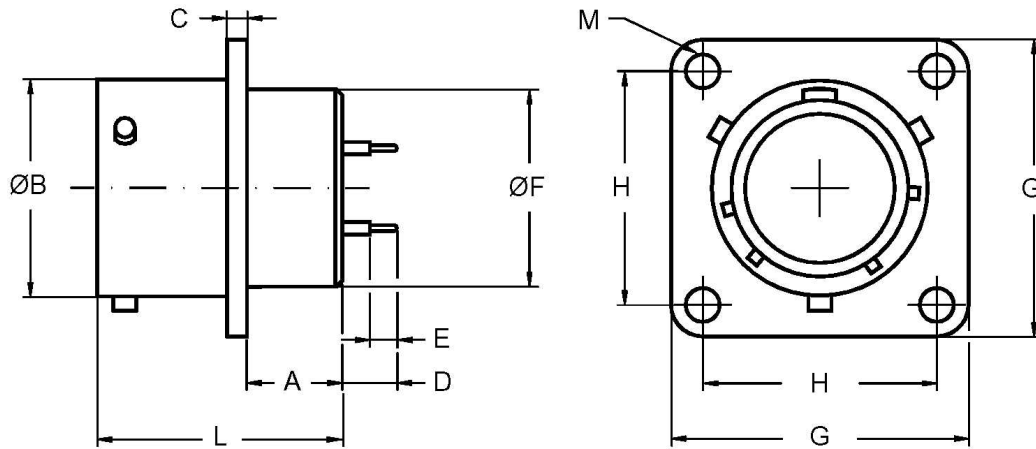


| Shell size | A Max. | B + 0.25 -0 | C + 0.02 -0.12 | D + 0.6 -0.25 | E Max. | F Max. | G ± 0.4 | H ± 0.1 | M ± 0.12 |
|------------|-----------|-------------------|----------------------|---------------------|-----------|-----------|------------|------------|-------------|
| 8 | 21.0 | 10.95 | 12.01 | 12.5 | 11.8 | 11.40 | 20.6 | 15.10 | 3.04 |
| 10 | 21.0 | 10.95 | 14.98 | 12.5 | 11.8 | 14.55 | 23.8 | 18.25 | 3.04 |
| 12 | 21.0 | 10.95 | 19.05 | 12.5 | 11.8 | 17.75 | 26.2 | 20.60 | 3.04 |
| 14 | 21.0 | 10.95 | 22.22 | 12.5 | 11.8 | 20.90 | 28.6 | 23.00 | 3.04 |
| 16 | 21.0 | 10.95 | 25.40 | 12.5 | 11.8 | 24.10 | 31.0 | 24.60 | 3.04 |
| 18 | 21.0 | 10.95 | 28.57 | 12.5 | 11.8 | 27.25 | 33.3 | 27.00 | 3.04 |
| 20 | 27.4 | 14.10 | 31.75 | 16.5 | 13.4 | 30.45 | 36.5 | 29.35 | 3.04 |
| 22 | 27.4 | 14.10 | 34.92 | 16.5 | 13.4 | 33.60 | 39.7 | 31.75 | 3.04 |
| 24 | 28.2 | 15.00 | 38.10 | 17.3 | 12.5 | 36.80 | 42.9 | 34.90 | 3.73 |

Box mounting receptacle.
No rear accessory threads.

Box mounting receptacle

CPT02Y

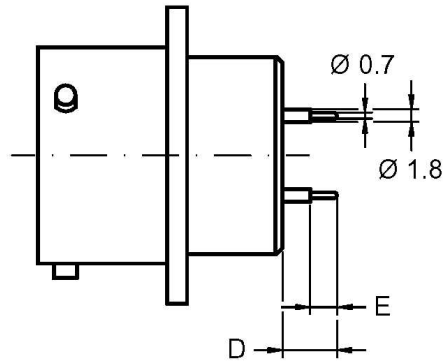


| Shell size | A +0 -0.2 | B +0.02 -0.12 | C ±0.1 | D | E | F Max. | G ±0.4 | H ±0.1 | L Max. | M ±0.12 |
|------------|-----------------|---------------------|-----------|--------------------------------|--------------------------------|-----------|-----------|-----------|-----------|------------|
| 8 | 6.2 | 12.01 | 1.6 | See the table on the next page | See the table on the next page | 11.40 | 20.6 | 15.10 | 19.5 | 3.04 |
| 10 | 6.2 | 14.98 | 1.6 | | | 14.55 | 23.8 | 18.25 | 19.5 | 3.04 |
| 12 | 6.2 | 19.05 | 1.6 | | | 17.75 | 26.2 | 20.60 | 19.5 | 3.04 |
| 14 | 6.2 | 22.22 | 1.6 | | | 20.90 | 28.6 | 23.00 | 19.5 | 3.04 |
| 16 | 6.2 | 25.40 | 1.6 | | | 24.10 | 31.0 | 24.60 | 19.5 | 3.04 |
| 18 | 6.2 | 28.57 | 1.6 | | | 27.25 | 33.3 | 27.00 | 19.5 | 3.04 |
| 20 | 7.5 | 31.75 | 2.4 | | | 30.45 | 36.5 | 29.35 | 24.5 | 3.04 |
| 22 | 7.5 | 34.92 | 2.4 | | | 33.60 | 39.7 | 31.75 | 24.5 | 3.04 |
| 24 | 7.5 | 38.10 | 2.4 | | | 36.80 | 42.9 | 34.90 | 25.5 | 3.73 |

Box mounting receptacle.
 No rear accessory threads.
 Flexible printed wiring terminations.

Box mounting receptacle

CPT02Y

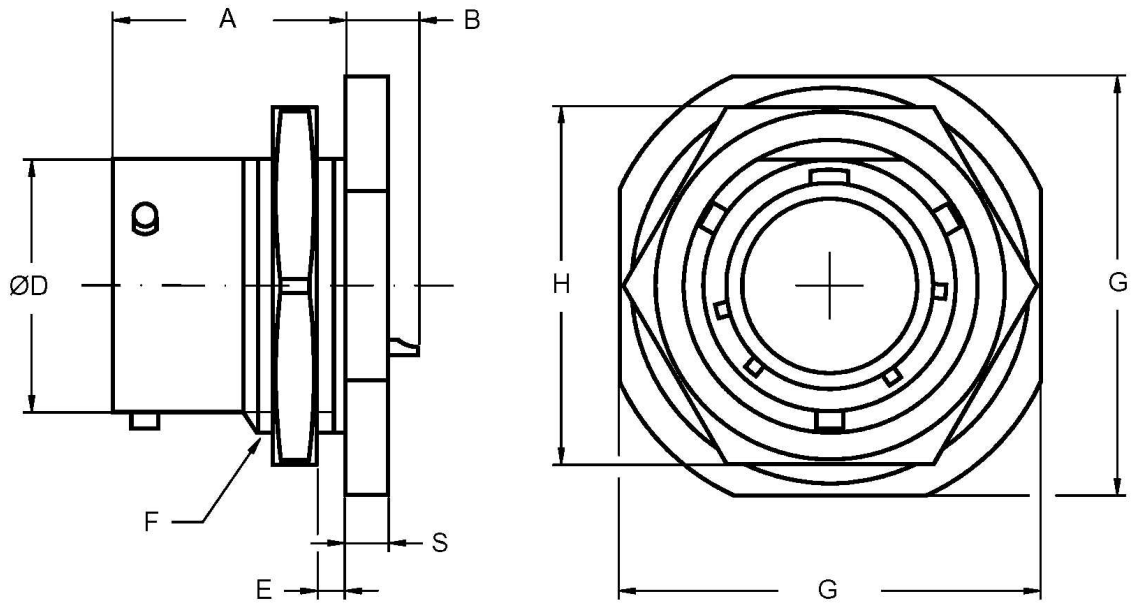


| Shell size | Y | | Y1 | | Y2 | | YS | | YL | | YM | |
|------------|----------------|----------------|----------------|----------------|----------------|----------------|----------------|----------------|----------------|----------------|----------------|----------------|
| | D ± 0.2 | E ± 0.1 | D ± 0.2 | E ± 0.1 | D ± 0.2 | E ± 0.1 | D ± 0.2 | E ± 0.1 | D ± 0.2 | E ± 0.1 | D ± 0.2 | E ± 0.1 |
| 8 | 8.6 | 3.6 | 7.4 | 3.2 | 7.8 | 4.8 | 6.4 | 3.2 | 10.9 | 6.0 | 12.4 | 7.2 |
| 10 | 8.6 | 3.6 | 7.4 | 3.2 | 7.8 | 4.8 | 6.4 | 3.2 | 10.9 | 6.0 | 12.4 | 7.2 |
| 12 | 8.6 | 3.6 | 7.4 | 3.2 | 7.8 | 4.8 | 6.4 | 3.2 | 10.9 | 6.0 | 12.4 | 7.2 |
| 14 | 8.6 | 3.6 | 7.4 | 3.2 | 7.8 | 4.8 | 6.4 | 3.2 | 10.9 | 6.0 | 12.4 | 7.2 |
| 16 | 8.6 | 3.6 | 7.4 | 3.2 | 7.8 | 4.8 | 6.4 | 3.2 | 10.9 | 6.0 | 12.4 | 7.2 |
| 18 | 8.6 | 3.6 | 7.4 | 3.2 | 7.8 | 4.8 | 6.4 | 3.2 | 10.9 | 6.0 | 12.4 | 7.2 |
| 20 | 7.8 | 3.6 | 7.6 | 3.2 | - | - | 7.5 | 3.2 | 9.3 | 6.0 | - | - |
| 22 | 7.8 | 3.6 | 7.6 | 3.2 | - | - | 7.5 | 3.2 | 9.3 | 6.0 | - | - |
| 24 | 6.7 | 3.6 | 6.5 | 3.2 | - | - | 6.4 | 3.2 | 8.2 | 6.0 | - | - |

Box mounting receptacle.
 No rear accessory threads.
 Flexible printed wiring terminations.
 Consult factory for non-available contacts.

Jam nut receptacle

CPT07A



| | A | B | D | E | | F | G | H | S |
|------------|-------|-----|-----------------|------|------|------------------|-------|-------|-------|
| Shell size | ± 0.4 | ± 1 | + 0.02 -0.12 | min. | Max. | Thread in inches | ± 0.4 | ± 0.4 | ± 0.4 |
| 8 | 17.70 | 4.8 | 12.01 | 1.6 | 3.2 | .5625 - 24 UNEF | 23.8 | 19 | 3.2 |
| 10 | 17.70 | 4.8 | 14.98 | 1.6 | 3.2 | .6875 - 24 UNEF | 27.0 | 22 | 3.2 |
| 12 | 17.70 | 4.8 | 19.05 | 1.6 | 3.2 | .8750 - 20 UNEF | 31.7 | 27 | 3.2 |
| 14 | 17.70 | 4.8 | 22.22 | 1.6 | 3.2 | 1.0000 - 20 UNEF | 34.9 | 30 | 3.2 |
| 16 | 17.70 | 4.8 | 25.40 | 1.6 | 3.2 | 1.1250 - 18 UNEF | 38.1 | 33 | 3.2 |
| 18 | 17.70 | 4.8 | 28.57 | 1.6 | 3.2 | 1.2500 - 18 UNEF | 41.3 | 36 | 3.2 |
| 20 | 22.45 | 5.6 | 31.75 | 1.6 | 6.3 | 1.3750 - 18 UNEF | 46.0 | 40 | 4.0 |
| 22 | 22.45 | 5.6 | 34.92 | 1.6 | 6.3 | 1.5000 - 18 UNEF | 49.2 | 43 | 4.0 |
| 24 | 23.30 | 4.8 | 38.10 | 1.6 | 6.3 | 1.6250 - 18 UNEF | 52.4 | 46 | 4.0 |

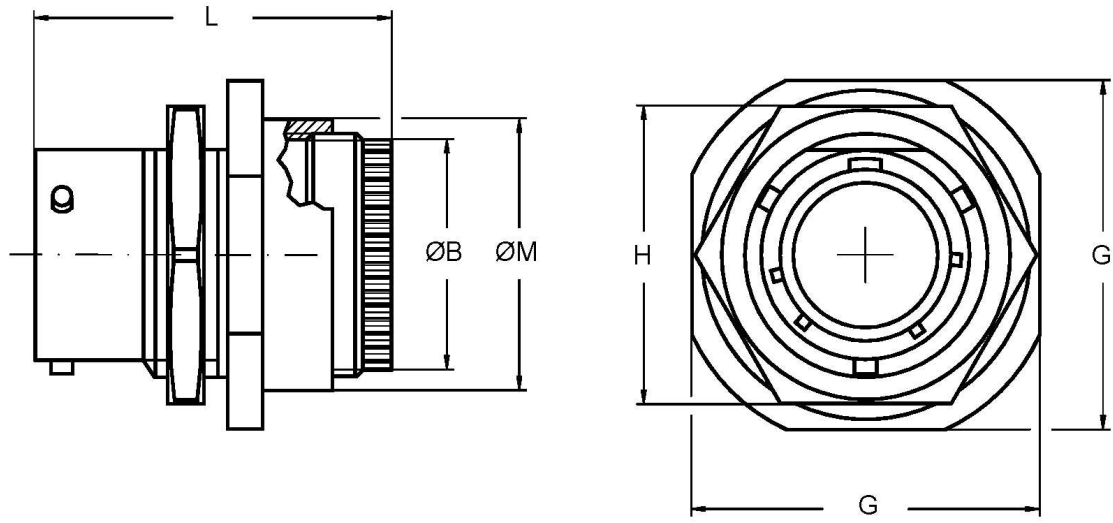
Single hole fixing receptacle.

No rear accessory threads.

Has panel O-Ring seal

Jam nut receptacle

CPT07E

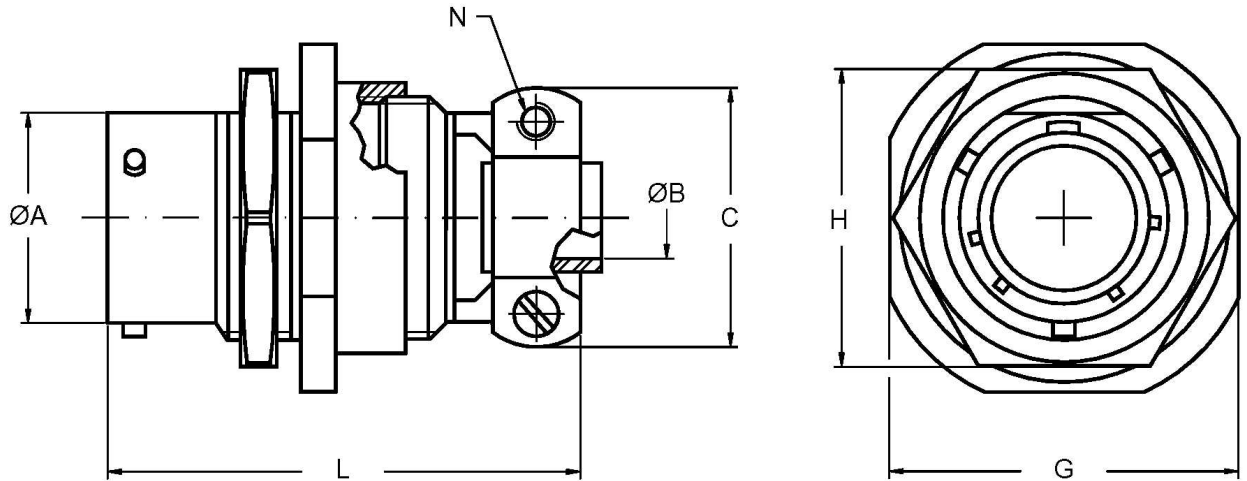


| | B | G | H | L | M |
|-------------------|-------------|--------------|--------------|-------------|-------------|
| Shell size | Max. | ± 0.4 | ± 0.4 | Max. | Max. |
| 8 | 13.5 | 23.8 | 19 | 34.40 | 18.5 |
| 10 | 16.5 | 27.0 | 22 | 34.40 | 21.7 |
| 12 | 19.5 | 31.7 | 27 | 34.40 | 24.9 |
| 14 | 22.5 | 34.9 | 30 | 34.40 | 28.0 |
| 16 | 25.5 | 38.1 | 33 | 34.40 | 31.2 |
| 18 | 29.0 | 41.3 | 36 | 34.40 | 34.4 |
| 20 | 31.8 | 46.0 | 40 | 40.75 | 38.4 |
| 22 | 35.0 | 49.2 | 43 | 40.75 | 41.5 |
| 24 | 38.0 | 52.4 | 46 | 52.30 | 44.7 |

Single hole fixing receptacle.
 With grommet and grommet nut.
 Has panel O-Ring seal.

Jam nut receptacle

CPT07E...SR

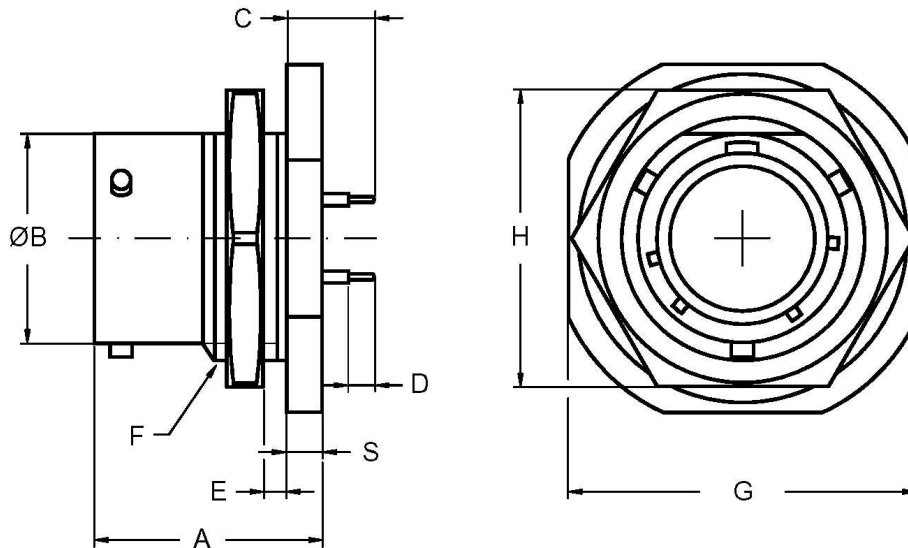


| Shell size | A +0.02 -0.12 | B ±0.25 | C Max. | G ±0.4 | H ±0.4 | L Max | N thread |
|------------|---------------------|------------|-----------|-----------|-----------|----------|----------|
| 8 | 12.01 | 3.2 | 20.60 | 23.8 | 19 | 56 | 6 - 32 |
| 10 | 14.98 | 4.8 | 22.20 | 27.0 | 22 | 56 | 6 - 32 |
| 12 | 19.05 | 7.9 | 25.40 | 31.7 | 27 | 56 | 6 - 32 |
| 14 | 22.22 | 9.5 | 28.60 | 34.9 | 30 | 56 | 6 - 32 |
| 16 | 25.40 | 12.7 | 30.20 | 38.1 | 33 | 56 | 6 - 32 |
| 18 | 28.57 | 15.9 | 36.50 | 41.3 | 36 | 58 | 8 - 32 |
| 20 | 31.75 | 15.9 | 36.50 | 46.0 | 40 | 58 | 8 - 32 |
| 22 | 34.92 | 19.0 | 43.65 | 49.2 | 43 | 65 | 8 - 32 |
| 24 | 38.10 | 20.3 | 43.65 | 52.4 | 46 | 65 | 8 - 32 |

Single hole fixing receptacle with sealing grommet , cable clamp and rubber sleeve for cable protection.
Has panel O-Ring seal .

Jam nut receptacle

CPT07Y

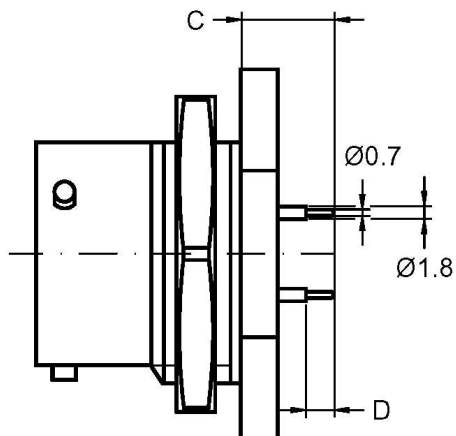


| Shell size | A | B | C | D | E | | F | G | H | S |
|------------|-------|----------------|--------------------------------|--------------------------------|------|------|------------------|------|------|------|
| | ±0.2 | +0.02 -0.12 | | | min. | Max. | Thread in inches | ±0.4 | ±0.4 | ±0.4 |
| 8 | 20.85 | 12.01 | See the table on the next page | See the table on the next page | 1.6 | 3.2 | .5625 - 24 UNEF | 23.8 | 19 | 3.2 |
| 10 | 20.85 | 14.98 | | | 1.6 | 3.2 | .6875 - 24 UNEF | 27.0 | 22 | 3.2 |
| 12 | 20.85 | 19.05 | | | 1.6 | 3.2 | .8750 - 20 UNEF | 31.7 | 27 | 3.2 |
| 14 | 20.85 | 22.22 | | | 1.6 | 3.2 | 1.0000 - 20 UNEF | 34.9 | 30 | 3.2 |
| 16 | 20.85 | 25.40 | | | 1.6 | 3.2 | 1.1250 - 18 UNEF | 38.1 | 33 | 3.2 |
| 18 | 20.85 | 28.57 | | | 1.6 | 3.2 | 1.2500 - 18 UNEF | 41.3 | 36 | 3.2 |
| 20 | 26.40 | 31.75 | | | 1.6 | 6.3 | 1.3750 - 18 UNEF | 46.0 | 40 | 4.0 |
| 22 | 26.40 | 34.92 | | | 1.6 | 6.3 | 1.5000 - 18 UNEF | 49.2 | 43 | 4.0 |
| 24 | 26.40 | 38.10 | | | 1.6 | 6.3 | 1.6250 - 18 UNEF | 52.4 | 46 | 4.0 |

Single hole fixing receptacle with plain shell for flexible printed wiring terminations. Has panel O-Ring seal.

Jam nut receptacle

CPT07Y

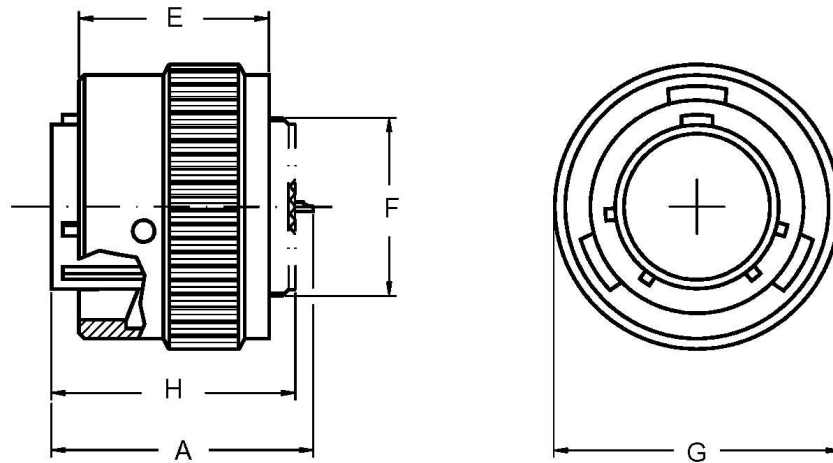


| Shell size | Y | | Y1 | | Y2 | | YS | | YL | | YM | |
|------------|-----------|-----------|-----------|-----------|-----------|-----------|-----------|-----------|-----------|-----------|-----------|-----------|
| | C ±0.2 | D ±0.1 | C ±0.2 | D ±0.1 | C ±0.2 | D ±0.1 | C ±0.2 | D ±0.1 | C ±0.2 | D ±0.1 | C ±0.2 | D ±0.1 |
| 8 | 10.0 | 3.6 | 8.9 | 3.2 | 9.4 | 4.8 | 7.8 | 3.2 | 12.5 | 6.0 | 14.0 | 7.2 |
| 10 | 10.0 | 3.6 | 8.9 | 3.2 | 9.4 | 4.8 | 7.8 | 3.2 | 12.5 | 6.0 | 14.0 | 7.2 |
| 12 | 10.0 | 3.6 | 8.9 | 3.2 | 9.4 | 4.8 | 7.8 | 3.2 | 12.5 | 6.0 | 14.0 | 7.2 |
| 14 | 10.0 | 3.6 | 8.9 | 3.2 | 9.4 | 4.8 | 7.8 | 3.2 | 12.5 | 6.0 | 14.0 | 7.2 |
| 16 | 10.0 | 3.6 | 8.9 | 3.2 | 9.4 | 4.8 | 7.8 | 3.2 | 12.5 | 6.0 | 14.0 | 7.2 |
| 18 | 10.0 | 3.6 | 8.9 | 3.2 | 9.4 | 4.8 | 7.8 | 3.2 | 12.5 | 6.0 | 14.0 | 7.2 |
| 20 | 9.6 | 3.6 | 9.3 | 3.2 | - | - | 9.3 | 3.2 | 11.1 | 6.0 | - | - |
| 22 | 9.6 | 3.6 | 9.3 | 3.2 | - | - | 9.3 | 3.2 | 11.1 | 6.0 | - | - |
| 24 | 8.8 | 3.6 | 8.5 | 3.2 | - | - | 8.5 | 3.2 | 10.3 | 6.0 | - | - |

Single hole fixing receptacle with plain shell for flexible printed wiring terminations. Has panel O-Ring seal. Consult factory for non-available contacts.

Straight plug

CPT06A... N0

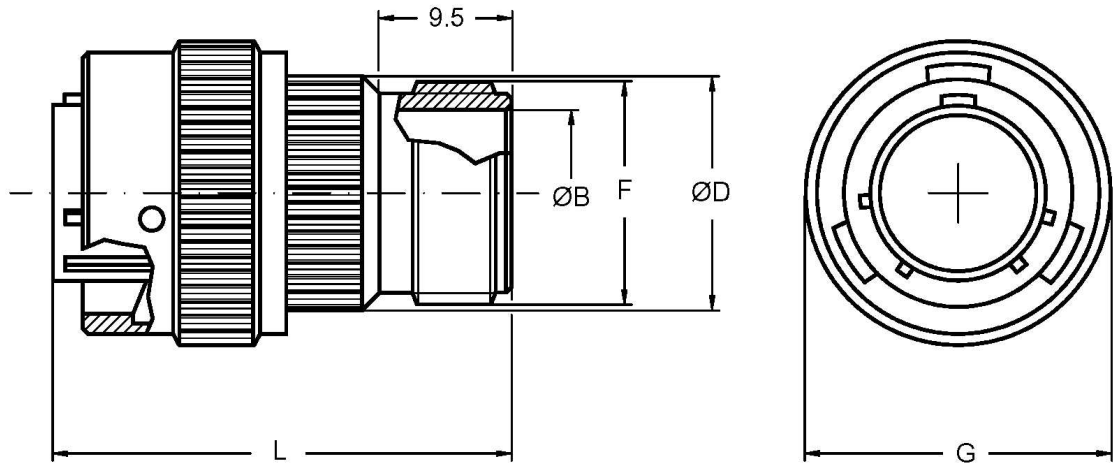


| | A | H | F | ØG | E |
|------------|------|-------|------------------|-------|-------|
| Shell size | Max. | ± 0.2 | Thread in inches | Max. | ± 0.2 |
| 8 | 25.4 | 21.4 | .4375 - 28 UNEF | 19.05 | 18 |
| 10 | 25.4 | 21.4 | .5625 - 24 UNEF | 21.80 | 18 |
| 12 | 25.4 | 21.4 | .6875 - 24 UNEF | 26.20 | 18 |
| 14 | 25.4 | 21.4 | .8125 - 20 UNEF | 29.40 | 18 |
| 16 | 25.4 | 21.4 | .9375 - 20 UNEF | 32.55 | 18 |
| 18 | 25.4 | 21.4 | 1.0625 - 18 UNEF | 35.35 | 18 |
| 20 | 27.8 | 25.4 | 1.1875 - 18 UNEF | 38.90 | 19 |
| 22 | 27.8 | 25.4 | 1.3125 - 18 UNEF | 42.10 | 19 |
| 24 | 27.8 | 27.0 | 1.4375 - 18 UNEF | 45.10 | 20 |

Straight plug without backshell .
Available with Arctic coupling nut .

Straight plug

CPT06A

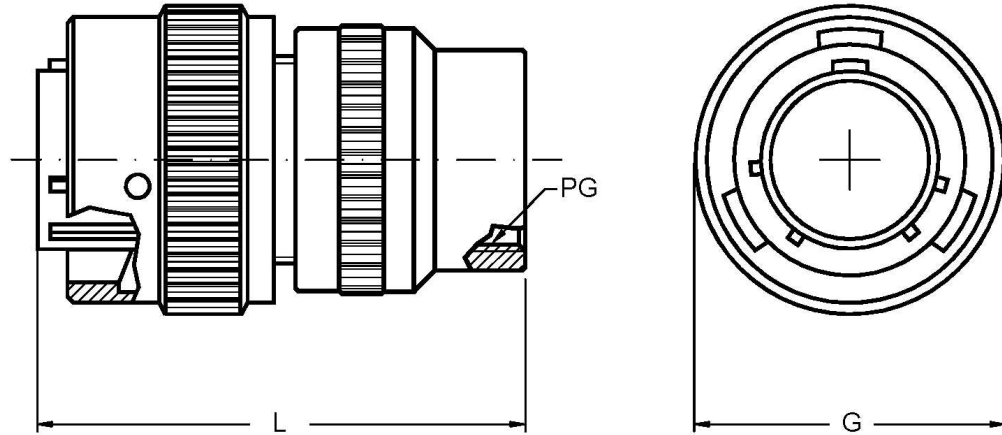


| Shell size | B min. | D Max. | F Thread in inches | G Max. | L Max. |
|------------|-----------|-----------|-----------------------|-----------|-----------|
| 8 | 7.55 | 15.00 | .5000 - 28 UNEF | 19.05 | 40.90 |
| 10 | 10.70 | 18.20 | .6250 - 24 UNEF | 21.80 | 40.90 |
| 12 | 13.85 | 21.20 | .7500 - 20 UNEF | 26.20 | 40.90 |
| 14 | 16.85 | 24.60 | .8750 - 20 UNEF | 29.40 | 40.90 |
| 16 | 20.00 | 27.60 | 1.0000 - 20 UNEF | 32.55 | 40.90 |
| 18 | 22.30 | 30.90 | 1.1875 - 18 UNEF | 35.35 | 40.90 |
| 20 | 25.75 | 33.80 | 1.1875 - 18 UNEF | 38.90 | 42.10 |
| 22 | 28.80 | 37.10 | 1.4375 - 18 UNEF | 42.10 | 42.10 |
| 24 | 32.00 | 40.25 | 1.4375 - 18 UNEF | 45.10 | 43.45 |

Straight plug with general duty backshell
for cable clamp CM3057-XX A-B-C.
No grommet supplied

Straight plug

CPT06A...PG_ _

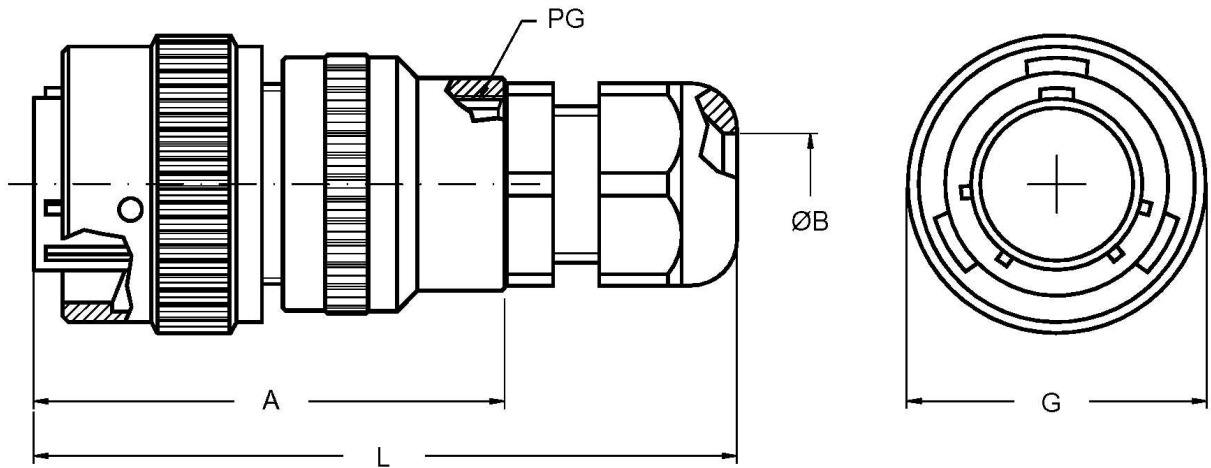


| Shell size | L Max | PG thread | G Max. |
|------------|----------|----------------|-----------|
| 8 | 40 | 7 / 9 | 19.05 |
| 10 | 40 | 9 | 21.80 |
| 12 | 40 | 11 | 26.20 |
| 14 | 45 | 11 / 13.5 / 16 | 29.40 |
| 16 | 45 | 11 / 13.5 / 16 | 32.55 |
| 18 | 45 | 13.5 / 16 | 35.35 |
| 20 | 52 | 13.5 / 16 | 38.90 |
| 22 | 60 | 13.5 / 16 / 21 | 42.10 |
| 24 | 60 | 13.5 / 16 / 21 | 45.10 |

Straight plug with backshell for use with PG glands (not included). Other PG sizes and types available on request.
No grommet supplied.

Straight plug

CPT06A...PH__

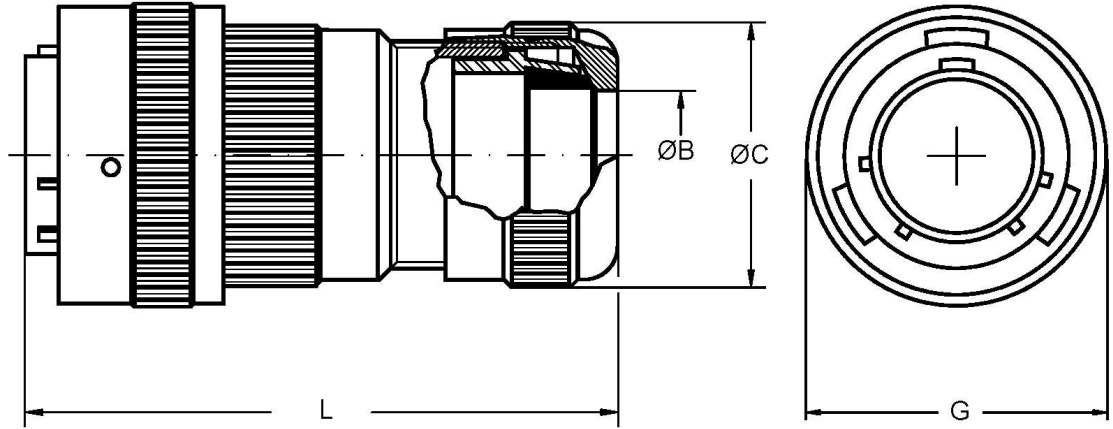


| | A | B | | L | G |
|-------------------|------------|---------------------|------------------|-------------|------------|
| Shell size | Max | min. ÷ max. | PG thread | Max. | Max |
| 8 | 40 | 3÷6.5 / 4÷8 | 7 / 9 | 65 | 19.05 |
| 10 | 40 | 4÷8 | 9 | 65 | 21.80 |
| 12 | 40 | 5÷10 | 11 | 65 | 26.20 |
| 14 | 45 | 5÷10 / 6÷12 / 9÷14 | 11 / 13.5 / 16 | 75 | 29.40 |
| 16 | 45 | 5÷10 / 6÷12 / 9÷14 | 11 / 13.5 / 16 | 75 | 32.55 |
| 18 | 45 | 6÷12 / 9÷14 | 13.5 / 16 | 75 | 35.35 |
| 20 | 52 | 6÷12 / 9÷14 | 13.5 / 16 | 82 | 38.90 |
| 22 | 60 | 6÷12 / 9÷14 / 13÷18 | 13.5 / 16 / 21 | 95 | 42.10 |
| 24 | 60 | 6÷12 / 9÷14 / 13÷18 | 13.5 / 16 / 21 | 95 | 45.10 |

Straight plug with backshell and plastic
PG cable gland . Other PG sizes and
types available upon request.
No grommet supplied.

Straight plug

CPT06A...PHM__

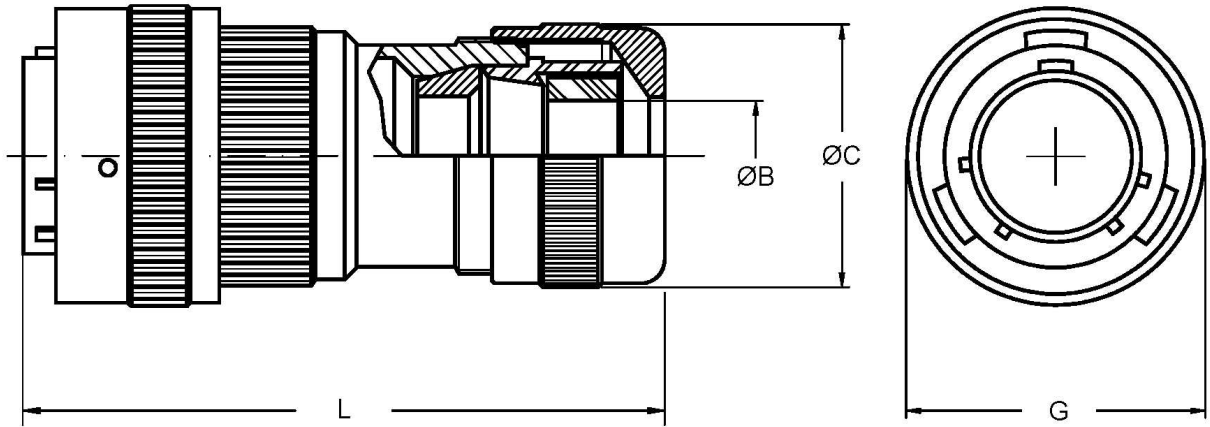


| Shell size | P.N. PHM | B min. ÷ Max. | C Max. | G Max. | L Max. |
|------------|--------------|------------------------|-----------|-----------|-----------|
| 8 | 11 | 2÷11 | 15 | 19.05 | 47 |
| 10 | 11 | 2÷11 | 21 | 21.80 | 49 |
| 12 | 11 | 2÷11 | 24 | 26.20 | 58 |
| 14 | 11 | 2÷11 | 24 | 29.40 | 58 |
| 16 | 11 | 2÷11 | 24 | 32.55 | 58 |
| 18 | 11 / 18 | 2÷11 / 9÷16.5 | 42 | 35.35 | 75 |
| 20 | 18 | 9÷16.5 | 42 | 38.90 | 75 |
| 22 | 18 | 9÷16.5 | 42 | 42.10 | 75 |
| 24 | 18 / 22 / 24 | 9÷16.5 / 15÷20 / 19÷24 | 42 | 45.10 | 75 |

Straight plug with PHM cable clamp .
 Rubber sleeves included to allow use of
 different diameter cables.
 No grommet supplied.

Straight plug

CPT06A...PHM__EMI

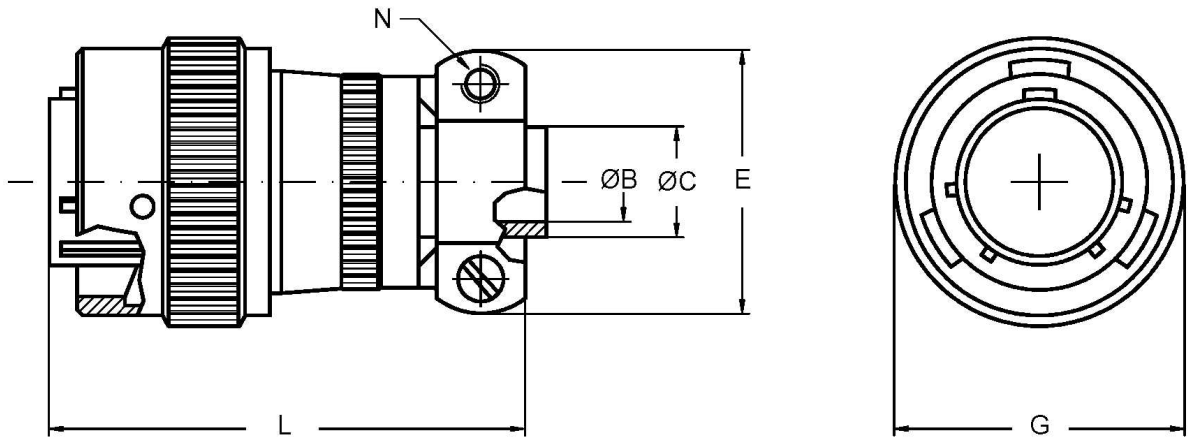


| Shell size | P.N. PHM | B min. ÷ max. | D Max. | G Max | L Max. |
|------------|--------------|------------------------|-----------|----------|-----------|
| 8 | 11 | 2÷11 | 15.0 | 19.05 | 60 |
| 10 | 11 | 2÷11 | 21.0 | 21.80 | 60 |
| 12 | 11 | 2÷11 | 24.0 | 26.20 | 70 |
| 14 | 11 | 2÷11 | 24.0 | 29.40 | 70 |
| 16 | 11 | 2÷11 | 24.0 | 32.55 | 70 |
| 18 | 11 / 18 | 2÷11 / 9÷16.5 | 42.0 | 35.35 | 85 |
| 20 | 18 | 9÷16.5 | 42.0 | 38.90 | 85 |
| 22 | 18 | 9÷16.5 | 42.0 | 42.10 | 85 |
| 24 | 18 / 22 / 24 | 9÷16.5 / 15÷20 / 19÷24 | 42.0 | 45.10 | 85 |

Straight plug with PHM cable clamp.
 Rubber sleeves included to allow use of
 different diameter cables.
 No grommet supplied.

Straight plug

CPT06A...SR

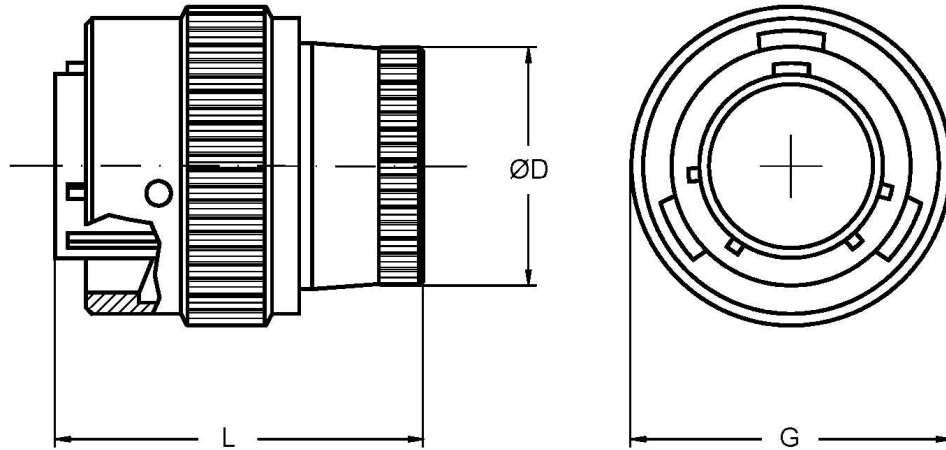


| Shell size | B ± 0.25 | C min. | E Max. | G ± 0.4 | L Max. | N |
|------------|-------------|-----------|-----------|------------|-----------|--------|
| 8 | 3.2 | 6.10 | 20.60 | 19.05 | 44.70 | 6 - 32 |
| 10 | 4.8 | 7.70 | 22.20 | 21.80 | 44.70 | 6 - 32 |
| 12 | 7.9 | 10.90 | 25.40 | 26.20 | 44.70 | 6 - 32 |
| 14 | 9.5 | 14.00 | 28.60 | 29.40 | 44.70 | 6 - 32 |
| 16 | 12.7 | 15.60 | 30.20 | 32.55 | 48.10 | 6 - 32 |
| 18 | 15.9 | 18.80 | 36.50 | 35.35 | 48.10 | 8 - 32 |
| 20 | 15.9 | 18.80 | 36.50 | 38.90 | 52.85 | 8 - 32 |
| 22 | 19.0 | 23.60 | 43.65 | 42.10 | 52.85 | 8 - 32 |
| 24 | 20.3 | 25.15 | 43.65 | 45.10 | 54.40 | 8 - 32 |

Straight plug with cable clamp and rubber sleeve. No grommet supplied.

Straight plug

CPT06E

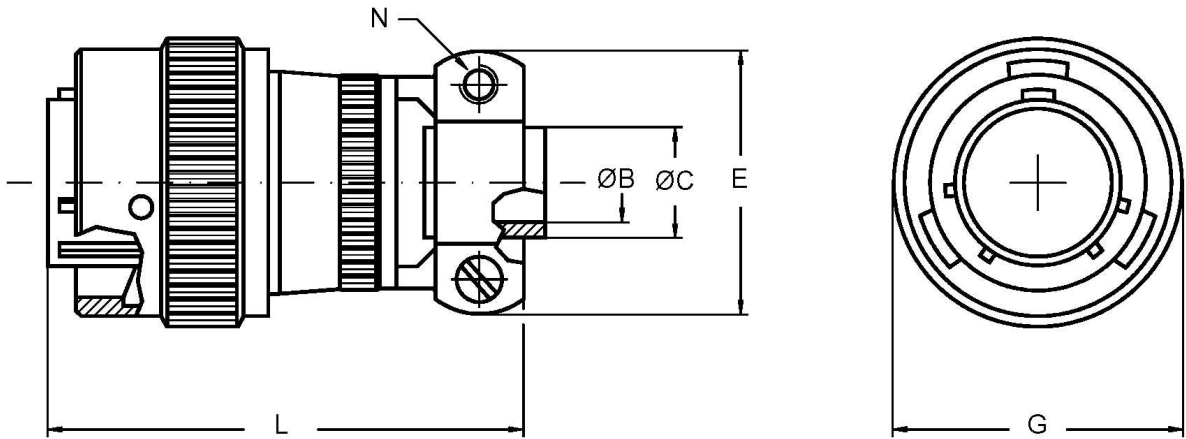


| | D | G | L |
|------------|-------|-------|-------|
| Shell size | Max. | ± 0.4 | Max. |
| 8 | 14.20 | 19.05 | 32.15 |
| 10 | 17.40 | 21.80 | 32.15 |
| 12 | 20.65 | 26.20 | 32.15 |
| 14 | 23.60 | 29.40 | 32.15 |
| 16 | 26.85 | 32.55 | 32.15 |
| 18 | 29.85 | 35.35 | 32.15 |
| 20 | 33.00 | 38.90 | 36.50 |
| 22 | 36.30 | 42.10 | 36.50 |
| 24 | 39.50 | 45.10 | 38.10 |

Straight plug with grommet and grommet nut.

Straight plug

CPT06E...SR

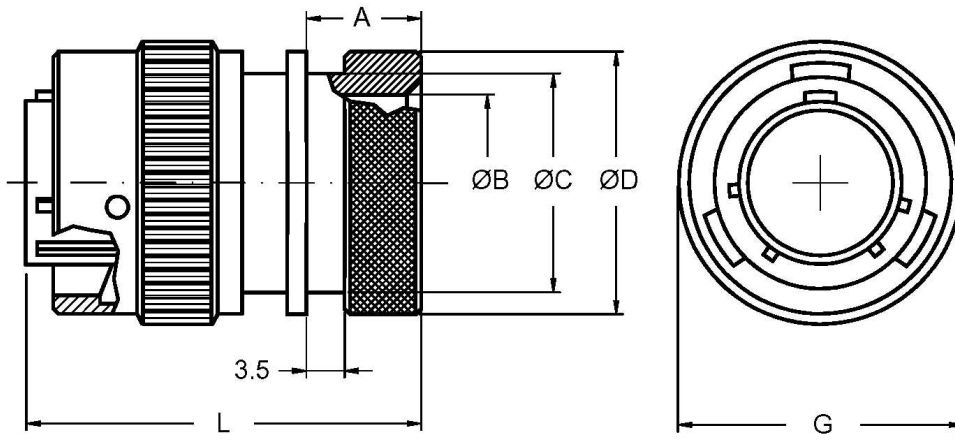


| Shell size | B ± 0.25 | C min. | E Max. | G ± 0.4 | L Max. | N |
|------------|-------------|-----------|-----------|------------|-----------|--------|
| 8 | 3.2 | 6.10 | 20.60 | 19.05 | 44.70 | 6 - 32 |
| 10 | 4.8 | 7.70 | 22.20 | 21.80 | 44.70 | 6 - 32 |
| 12 | 7.9 | 10.90 | 25.40 | 26.20 | 44.70 | 6 - 32 |
| 14 | 9.5 | 14.00 | 28.60 | 29.40 | 44.70 | 6 - 32 |
| 16 | 12.7 | 15.60 | 30.20 | 32.55 | 48.10 | 6 - 32 |
| 18 | 15.9 | 18.80 | 36.50 | 35.35 | 48.10 | 8 - 32 |
| 20 | 15.9 | 18.80 | 36.50 | 38.90 | 52.85 | 8 - 32 |
| 22 | 19.0 | 23.60 | 43.65 | 42.10 | 52.85 | 8 - 32 |
| 24 | 20.3 | 25.15 | 43.65 | 45.10 | 54.40 | 8 - 32 |

Straight plug with sealing grommet ,
cable clamp and rubber sleeve for cable
protection.

Straight plug

CPT06G

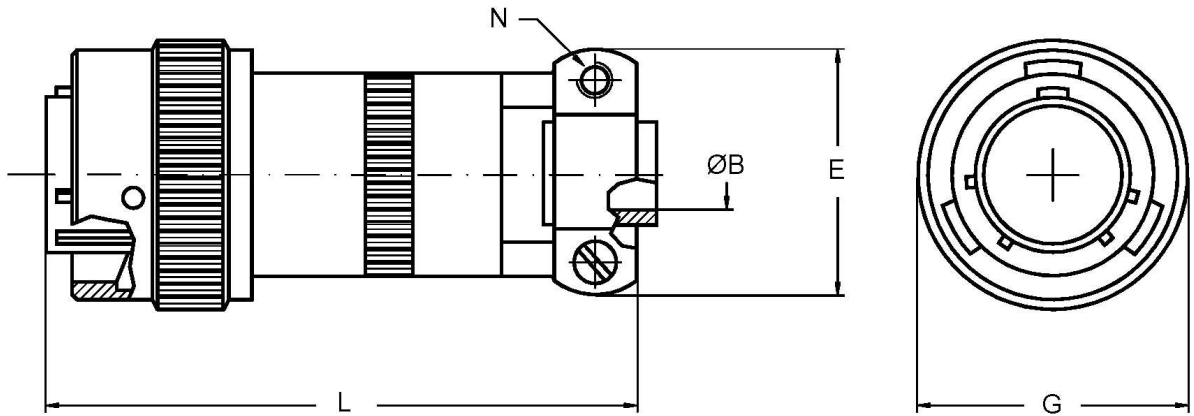


| Size | A | ØB | ØC | ØD | L | ØG |
|------|-------|--------------|--------------|--------------|------|-------|
| | ± 0.1 | + 0.1 - 0 | + 0 - 0.1 | + 0 - 0.3 | Max. | Max. |
| 8 | 12.2 | 8.20 | 13.0 | 15.5 | 39 | 19.05 |
| 10 | 12.2 | 11.40 | 15.8 | 18.3 | 39 | 21.80 |
| 12 | 12.2 | 14.55 | 21.0 | 23.6 | 39 | 26.20 |
| 14 | 12.2 | 17.50 | 21.8 | 24.4 | 39 | 29.40 |
| 16 | 14.5 | 20.60 | 25.9 | 29.7 | 42 | 32.55 |
| 18 | 14.5 | 23.15 | 28.2 | 31.9 | 42 | 35.35 |
| 20 | 15.8 | 26.50 | 32.2 | 36.0 | 47 | 38.90 |
| 22 | 15.8 | 29.60 | 34.5 | 38.4 | 47 | 42.10 |
| 24 | 14.9 | 32.80 | 37.6 | 41.5 | 47 | 45.10 |

Straight plug with sealing grommet and backshell for heat shrink sleeves.

Straight plug

CPT06J



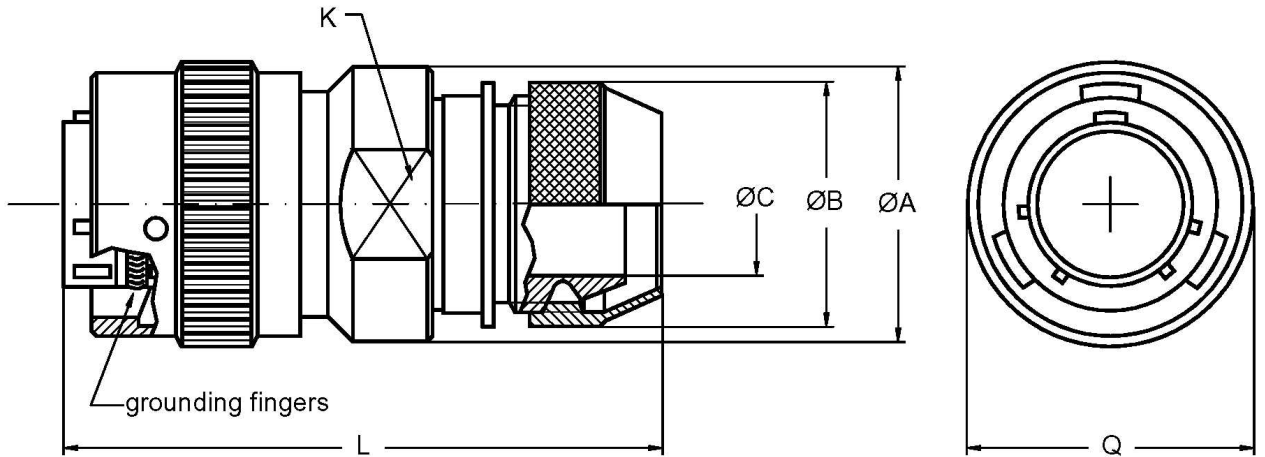
| | B | E | G | L | N |
|-------------------|---------------|-------------|--------------|-------------|----------|
| Shell size | ± 0.25 | Max. | ± 0.4 | Max. | |
| 8 | 3.2 | 20.60 | 19.05 | 53 | 6 - 32 |
| 10 | 4.8 | 22.20 | 21.80 | 53 | 6 - 32 |
| 12 | 7.9 | 25.40 | 26.20 | 57 | 6 - 32 |
| 14 | 9.5 | 28.60 | 29.40 | 62 | 6 - 32 |
| 16 | 12.7 | 30.20 | 32.55 | 70 | 6 - 32 |
| 18 | 15.9 | 36.50 | 35.35 | 76 | 8 - 32 |
| 20 | 15.9 | 36.50 | 38.90 | 86 | 8 - 32 |
| 22 | 19.0 | 43.65 | 32.10 | 90 | 8 - 32 |
| 24 | 20.3 | 43.65 | 45.10 | 96 | 8 - 32 |

Straight plug with backshell incorporating a metal sleeve with gland seal and cable clamp. No grommet supplied.

Straight plug

CPT06M

CPTG06M

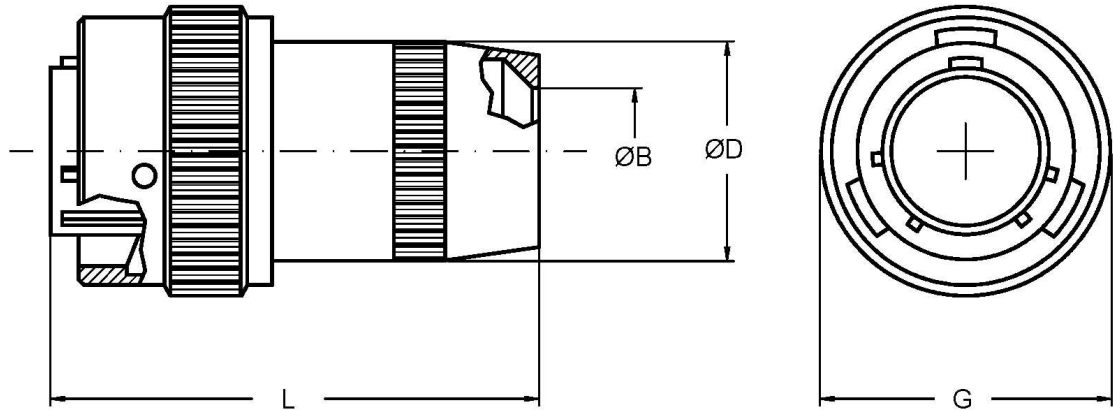


| Shell size | A Max. | B Max. | C min. | K key | L Max | Q Max. |
|------------|-----------|-----------|-----------|-------|----------|-----------|
| 8 | 19.80 | 16.3 | 6.70 | 18 | 52.0 | 19.05 |
| 10 | 22.50 | 18.4 | 9.30 | 21 | 52.0 | 21.80 |
| 12 | 26.90 | 22.4 | 12.25 | 24 | 52.0 | 26.20 |
| 14 | 29.90 | 25.4 | 15.40 | 28 | 53.0 | 29.40 |
| 16 | 32.85 | 28.4 | 18.50 | 31 | 53.0 | 32.55 |
| 18 | 35.80 | 32.4 | 20.20 | 34 | 53.0 | 35.35 |
| 20 | 39.60 | 34.4 | 23.20 | 37 | 57.0 | 38.90 |
| 22 | 42.90 | 38.4 | 26.05 | 41 | 57.0 | 42.10 |
| 24 | 45.90 | 41.3 | 30.00 | 44 | 58.5 | 45.10 |

Straight plug with backshell for terminating shielded cable.
 Suitable for heat shrink boots.
 Can be ordered with grounding fingers with Pt.No. CPTG06M .

Straight plug

CPT06W

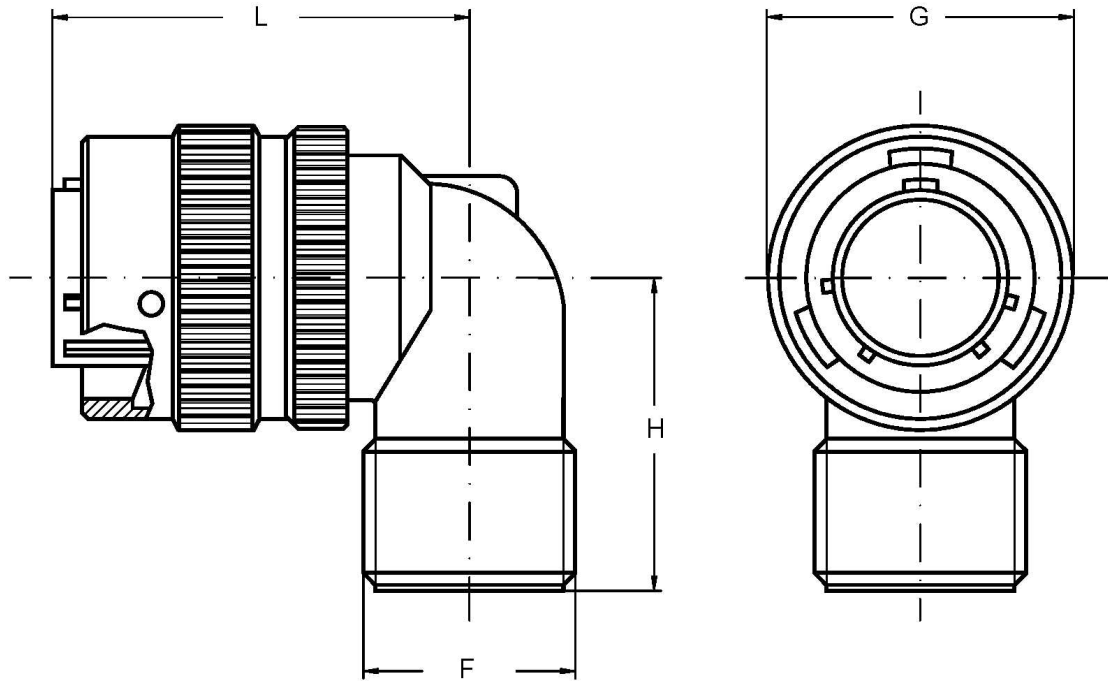


| Shell size | B | | D | G | L |
|------------|-------|-------|-------|-------|-------|
| | min. | Max. | Max. | ± 0.4 | Max. |
| 8 | 4.25 | 5.85 | 13.90 | 19.05 | 43.30 |
| 10 | 5.20 | 7.90 | 17.15 | 21.80 | 43.30 |
| 12 | 8.60 | 11.20 | 20.60 | 26.20 | 46.90 |
| 14 | 10.55 | 13.70 | 23.90 | 29.40 | 51.80 |
| 16 | 14.00 | 15.65 | 27.10 | 32.55 | 57.30 |
| 18 | 15.25 | 17.10 | 30.30 | 35.35 | 63.15 |
| 20 | 16.10 | 19.00 | 33.60 | 38.90 | 72.20 |
| 22 | 17.00 | 21.50 | 36.80 | 42.10 | 76.20 |
| 24 | 18.80 | 22.70 | 40.00 | 45.10 | 81.55 |

Straight plug with backshell incorporating a metal sleeve and gland seal. No grommet supplied.

90° plug

CPT08AM

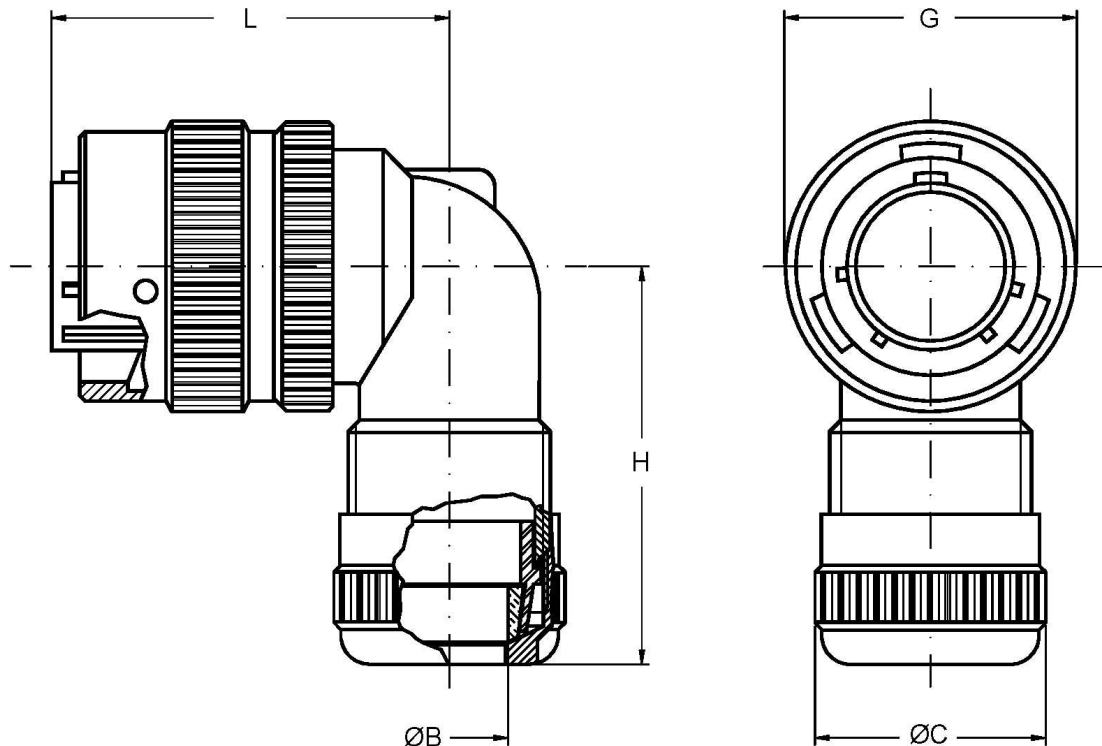


| Shell size | F Thread in inches | G Max. | H ± 1 | L ± 1 |
|------------|-----------------------|-----------|----------|----------|
| 8 | .5000 - 28 UNEF | 19.05 | 19 | 32 |
| 10 | .6250 - 24 UNEF | 21.80 | 24 | 32 |
| 12 | .7500 - 20 UNEF | 26.20 | 27 | 35 |
| 14 | .8750 - 20 UNEF | 29.40 | 28 | 38 |
| 16 | 1.0000 - 20 UNEF | 32.55 | 30 | 41 |
| 18 | 1.1875 - 18 UNEF | 35.35 | 32 | 44 |
| 20 | 1.1875 - 18 UNEF | 38.90 | 34 | 48 |
| 22 | 1.4375 - 18 UNEF | 42.10 | 36 | 51 |
| 24 | 1.4375 - 18 UNEF | 45.10 | 39 | 56 |

Plug with 90° backshell for cable clamp
 CM3057-XX A-B-C.
 No grommet supplied.

90° plug

CPT08A...PHM



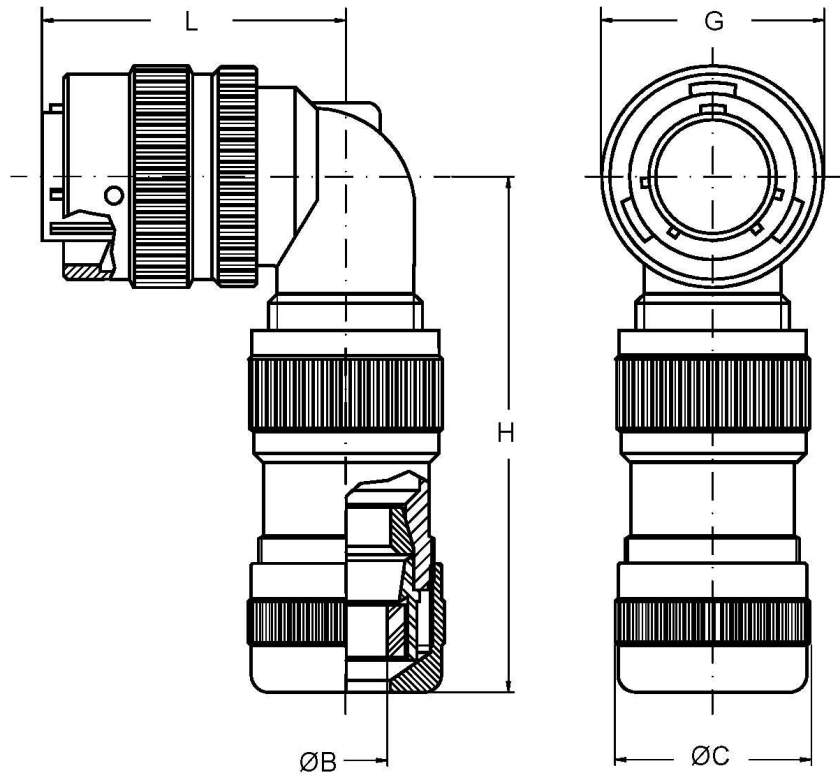
| Shell size | P.N. PHM | B min. ÷ Max. | C Max. | G Max. | H Max. | L ±1 |
|------------|--------------|------------------------|-----------|-----------|-----------|---------|
| 8 | 11 | 2÷11 | 15 | 19.05 | 40 | 32 |
| 10 | 11 | 2÷11 | 21 | 21.80 | 40 | 32 |
| 12 | 11 | 2÷11 | 24 | 26.20 | 43 | 35 |
| 14 | 11 | 2÷11 | 24 | 29.40 | 46 | 38 |
| 16 | 11 | 2÷11 | 24 | 32.55 | 53 | 41 |
| 18 | 11 / 18 | 2÷11 / 9÷16.5 | 42 | 35.35 | 53 | 44 |
| 20 | 18 | 9÷16.5 | 42 | 38.90 | 53 | 48 |
| 22 | 18 | 9÷16.5 | 42 | 42.10 | 56 | 51 |
| 24 | 18 / 22 / 24 | 9÷16.5 / 15÷20 / 19÷24 | 42 | 45.10 | 56 | 56 |

Plug with 90° backshell and PHM cable clamp .

The PHM cable clamp assures an excellent mechanical and waterproof sealing if used with the correct neoprene sealing sleeves .

No grommet supplied .

CPT08A...PHM__EMI



| Shell size | P.N. PHM | B min. ÷ Max. | C Max. | G Max. | H Max. | L ±1 |
|------------|--------------|------------------------|-----------|-----------|-----------|---------|
| 8 | 11 | 2÷11 | 15 | 19.05 | 60 | 32 |
| 10 | 11 | 2÷11 | 21 | 21.80 | 60 | 32 |
| 12 | 11 | 2÷11 | 24 | 26.20 | 63 | 35 |
| 14 | 11 | 2÷11 | 24 | 29.40 | 66 | 38 |
| 16 | 11 | 2÷11 | 24 | 32.55 | 73 | 41 |
| 18 | 11 / 18 | 2÷11 / 9÷16.5 | 42 | 35.35 | 73 | 44 |
| 20 | 18 | 9÷16.5 | 42 | 38.90 | 73 | 48 |
| 22 | 18 | 9÷16.5 | 42 | 42.10 | 76 | 51 |
| 24 | 18 / 22 / 24 | 9÷16.5 / 15÷20 / 19÷24 | 42 | 45.10 | 76 | 56 |

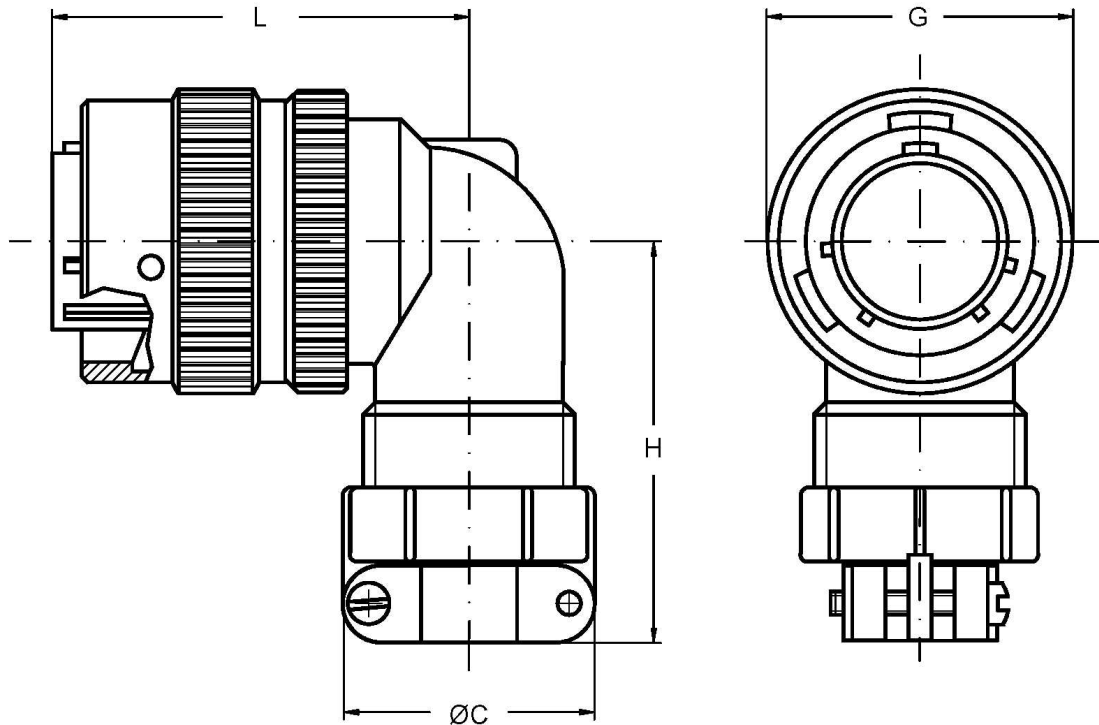
Plug with 90° backshell and PHM cable clamp .

The PHM cable clamp assures an excellent mechanical and waterproof sealing if used with the correct neoprene sealing sleeves .

No grommet supplied .

90° plug

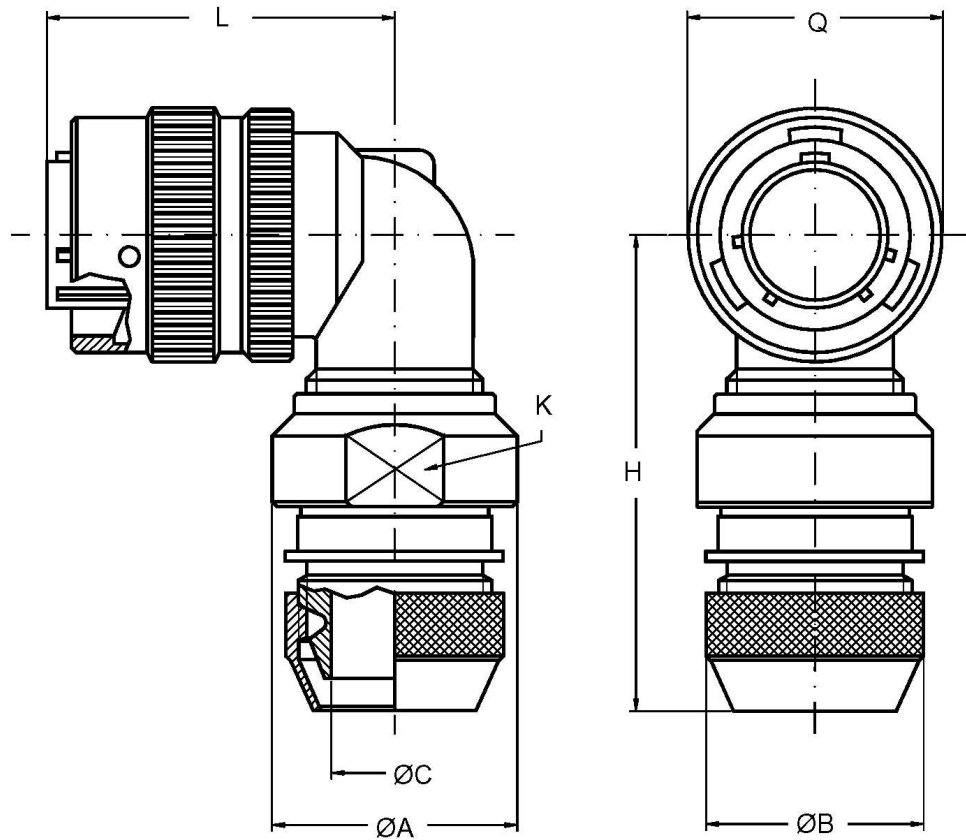
CPT08EM



| | C | G | H | L |
|-------------------|-------------|-------------|------------|------------|
| Shell size | Max. | Max. | ± 1 | ± 1 |
| 8 | 17.5 | 19.05 | 37 | 32 |
| 10 | 22.0 | 21.80 | 37 | 32 |
| 12 | 27.0 | 26.20 | 40 | 35 |
| 14 | 28.0 | 29.40 | 43 | 38 |
| 16 | 33.0 | 32.55 | 50 | 41 |
| 18 | 35.0 | 35.35 | 50 | 44 |
| 20 | 35.0 | 38.90 | 50 | 48 |
| 22 | 43.0 | 42.10 | 53 | 51 |
| 24 | 43.0 | 45.10 | 53 | 56 |

Plug with 90° backshell , sealing grommet and cable clamp.

**CPT08M
CPTG08M**



| Shell size | A Max. | B Max. | C min. | H Max. | K key | L Max | Q Max. |
|------------|-----------|-----------|-----------|-----------|-------|----------|-----------|
| 8 | 19.80 | 16.3 | 6.70 | 55 | 18 | 52.0 | 19.05 |
| 10 | 22.50 | 18.4 | 9.30 | 60 | 21 | 52.0 | 21.80 |
| 12 | 26.90 | 22.4 | 12.25 | 63 | 24 | 52.0 | 26.20 |
| 14 | 29.90 | 25.4 | 15.40 | 65 | 28 | 53.0 | 29.40 |
| 16 | 32.85 | 28.4 | 18.50 | 67 | 31 | 53.0 | 32.55 |
| 18 | 35.80 | 32.4 | 20.20 | 69 | 34 | 53.0 | 35.35 |
| 20 | 39.60 | 34.4 | 23.20 | 71 | 37 | 57.0 | 38.90 |
| 22 | 42.90 | 38.4 | 26.05 | 73 | 41 | 57.0 | 42.10 |
| 24 | 45.90 | 41.3 | 30.00 | 76 | 44 | 58.5 | 45.10 |

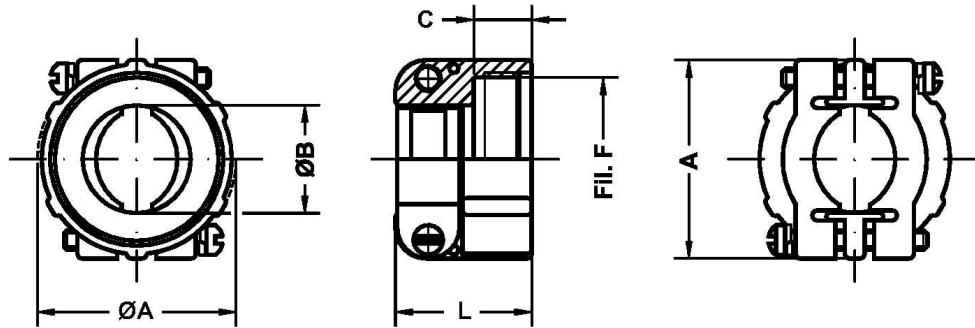
Plug with 90° backshell for terminating shielded cable.

Suitable for heat shrink boots.

Can be ordered with grounding fingers with Pt.No. CPTG08M .

Cable clamp

CM3057-XXA

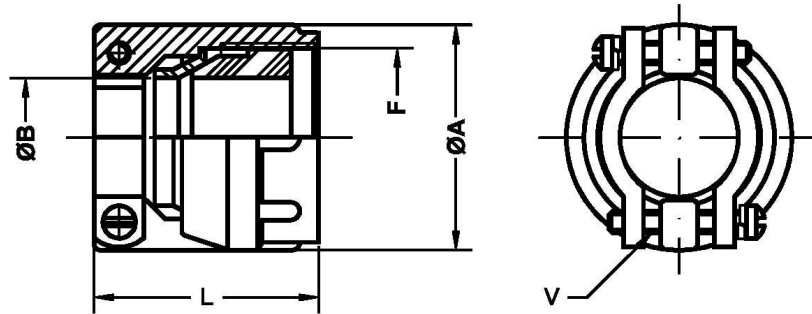


| Contact P/N | Connector size | Sleeve to use | A | B | C | F thread | L |
|--------------|----------------|---------------|----|------|------|-----------------|------|
| CM3057 - 3A | 8 | CM3420 - 3 | 18 | 6.8 | 10.2 | 0.5000 - 28UNEF | 20.6 |
| CM3057 - 4A | 10 | CM3420 - 4 | 25 | 8.2 | 10.2 | 0.6250 - 24UNEF | 21.0 |
| CM3057 - 6A | 12 | CM3420 - 6 | 27 | 11.2 | 10.2 | 0.7500 - 20UNEF | 22.2 |
| CM3057 - 8A | 14 | CM3420 - 8 | 28 | 14.2 | 10.2 | 0.8750 - 20UNEF | 24.0 |
| CM3057 - 10A | 16 | CM3420 - 10 | 33 | 16.0 | 10.2 | 1.0000 - 20UNEF | 28.5 |
| CM3057 - 12A | 18 | CM3420 - 12 | 35 | 19.0 | 10.2 | 1.1875 - 18NEF | 24.0 |
| CM3057 - 12A | 20 | CM3420 - 12 | 35 | 19.0 | 10.2 | 1.1875 - 18NEF | 24.0 |
| CM3057 - 16A | 22 | CM3420 - 16 | 43 | 23.8 | 10.5 | 1.4375 - 18NEF | 26.0 |
| CM3057 - 16A | 24 | CM3420 - 16 | 43 | 23.8 | 10.5 | 1.4375 - 18NEF | 26.0 |

General duty cable clamp suitable for jacketed cable or wires protected by tubing.

Cable clamp

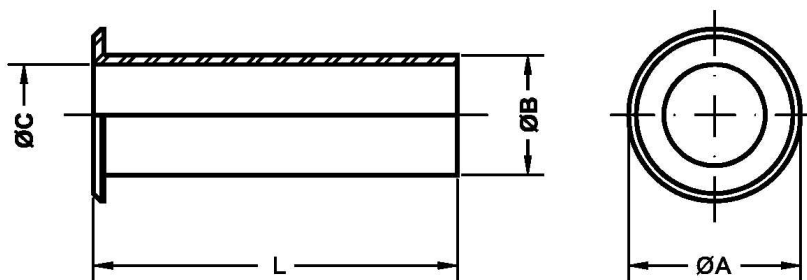
CM3057-XXC



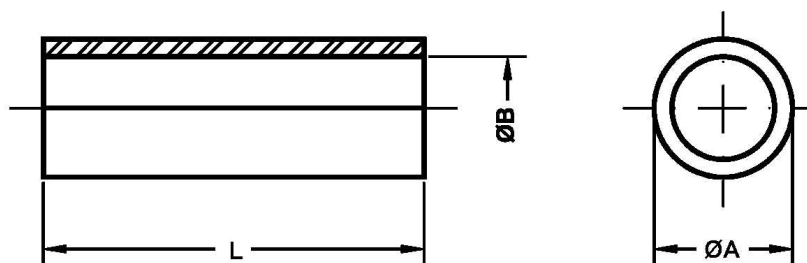
| Contact P/N | Conn. size | Sleeve to use | A | B | | F thread | L | V thread |
|--------------|------------|-------------------------|------|-------|-------|-----------------|------|-----------|
| | | | | min. | Max. | | | |
| CM3057 - 3C | 8 | CM3420 - 3A | 20.0 | 0.68 | 5.56 | 0.5000 - 28UNEF | 33.2 | 6 - 32 NC |
| CM3057 - 4C | 10 | CM3420 - 4A | 22.6 | 2.38 | 7.93 | 0.6250 - 24UNEF | 32.3 | 6 - 32 NC |
| CM3057 - 6C | 12 | CM3420 - 4A / 6A | 25.8 | 5.84 | 11.12 | 0.7500 - 20UNEF | 32.3 | 6 - 32 NC |
| CM3057 - 8C | 14 | CM3420 - 6A / 8A | 28.1 | 8.00 | 13.84 | 0.8750 - 20UNEF | 32.3 | 6 - 32 NC |
| CM3057 - 10C | 16 | CM3420 - 6A / 10A | 31.0 | 9.60 | 15.87 | 1.0000 - 20UNEF | 35.3 | 6 - 32 NC |
| CM3057 - 12C | 18 | CM3420 - 8A / 12A | 37.3 | 11.30 | 19.00 | 1.1875 - 18NEF | 35.7 | 8 - 32 NC |
| CM3057 - 12C | 20 | CM3420 - 8A / 12A | 37.3 | 11.30 | 19.00 | 1.1875 - 18NEF | 35.7 | 8 - 32 NC |
| CM3057 - 16C | 22 | CM3420 - 8A / 12A / 16A | 42.0 | 15.50 | 23.80 | 1.4375 - 18NEF | 38.5 | 8 - 32 NC |
| CM3057 - 16C | 24 | CM3420 - 8A / 12A / 16A | 42.0 | 15.50 | 23.80 | 1.4375 - 18NEF | 38.5 | 8 - 32 NC |

Waterproof cable clamp suitable for jacketed cable or wires protected by tubing. Assures watertight integrity of connector.

CM 3420 - XX
CM 3420 - XXA



| Contact P/N | A ±0.1 | B ±0.1 | C ±0.1 | L ±0.1 |
|-------------|-----------|-----------|-----------|-----------|
| CM3420 - 3 | 9.5 | 5.33 | 3.30 | 73.0 |
| CM3420 - 4 | 12.8 | 7.67 | 5.58 | 69.8 |
| CM3420 - 6 | 15.7 | 10.84 | 7.92 | 66.8 |
| CM3420 - 8 | 18.8 | 14.02 | 11.09 | 63.5 |
| CM3420 - 10 | 22.0 | 15.62 | 14.27 | 60.3 |
| CM3420 - 12 | 27.0 | 18.79 | 15.87 | 57.1 |
| CM3420 - 16 | 33.3 | 23.54 | 19.05 | 53.9 |

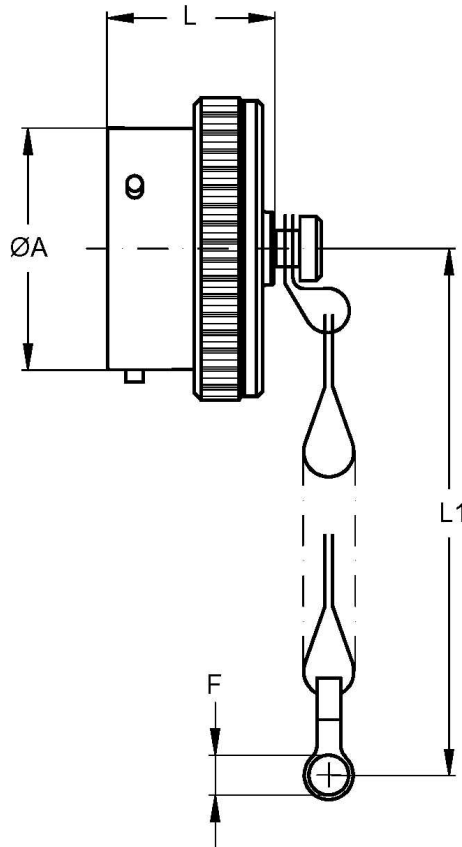


| Contact P/N | A ±0.1 | B ±0.1 | L ±0.1 |
|--------------|-----------|-----------|-----------|
| CM3420 - 3A | 5.30 | 2.90 | 50.5 |
| CM3420 - 4A | 7.63 | 5.56 | 50.5 |
| CM3420 - 6A | 10.50 | 7.93 | 50.5 |
| CM3420 - 8A | 13.50 | 11.10 | 50.5 |
| CM3420 - 10A | 15.70 | 11.10 | 50.5 |
| CM3420 - 12A | 18.50 | 13.74 | 50.9 |
| CM3420 - 16A | 23.60 | 19.00 | 50.9 |

CM3420-XX : Neoprene sleeve for protection and reduction , used with class A cable clamps .

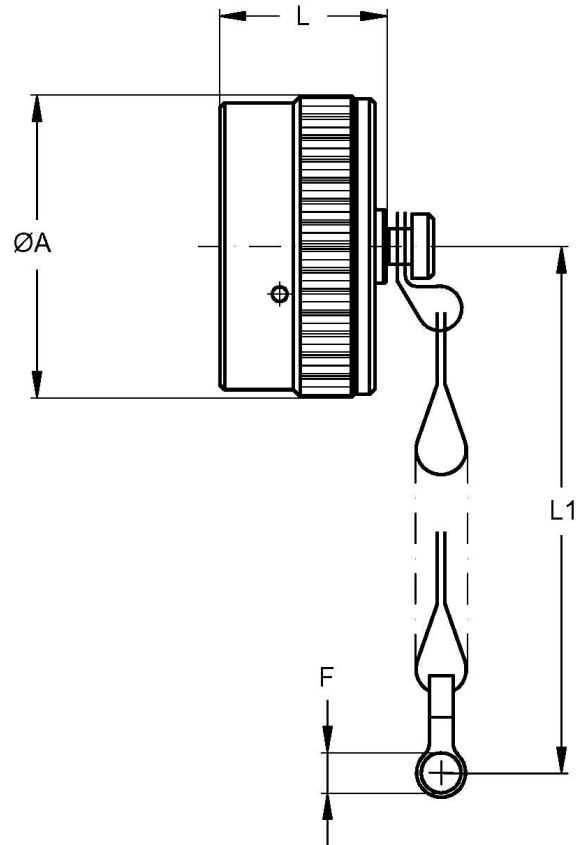
CM3420-XXA : Neoprene sleeve for protection and reduction , used with class C cable clamps .

CPT3180-XXC



| P/N | Shell size | A + 0.02 -0.12 | F + 0.2 0 | L + 0.6 -0.4 | L1 min. |
|-------------|------------|----------------------|-----------------|--------------------|------------|
| CPT3180- 8C | 8 | 12.01 | 4.3 | 13.5 | 76.2 |
| CPT3180-10C | 10 | 14.98 | 4.3 | 13.5 | 76.2 |
| CPT3180-12C | 12 | 19.05 | 4.3 | 13.5 | 88.9 |
| CPT3180-14C | 14 | 22.22 | 4.3 | 13.5 | 88.9 |
| CPT3180-16C | 16 | 25.40 | 4.3 | 13.5 | 88.9 |
| CPT3180-18C | 18 | 28.57 | 4.3 | 13.5 | 88.9 |
| CPT3180-20C | 20 | 31.75 | 4.3 | 15.1 | 101.6 |
| CPT3180-22C | 22 | 34.92 | 4.3 | 15.1 | 101.6 |
| CPT3180-24C | 24 | 38.10 | 4.3 | 15.9 | 101.6 |

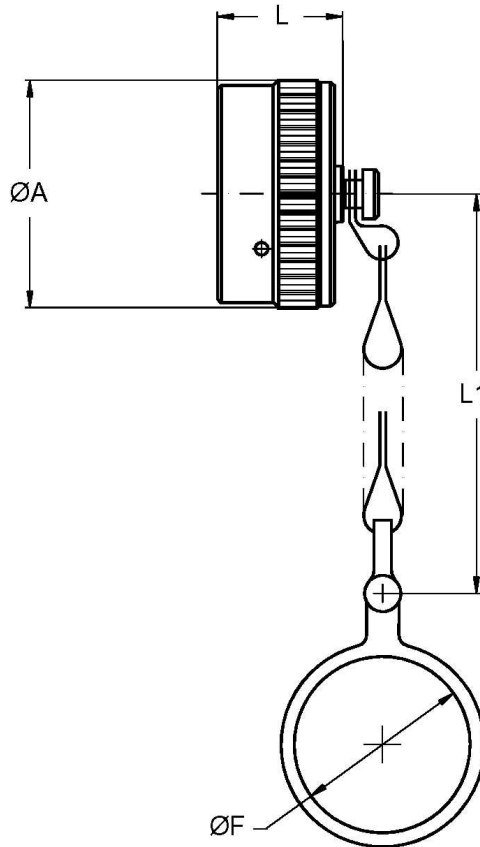
Metal caps and stainless steel chains for plugs.

CPT3181-XXC

| P/N | Shell size | A Max. | F + 0.2 -0 | L + 0.5 -0 | L1 min. |
|-------------|------------|-----------|------------------|------------------|------------|
| CPT3181- 8C | 8 | 17.95 | 4.3 | 14.50 | 76.2 |
| CPT3181-10C | 10 | 20.70 | 4.3 | 14.50 | 76.2 |
| CPT3181-12C | 12 | 25.40 | 4.3 | 14.50 | 88.9 |
| CPT3181-14C | 14 | 28.65 | 4.3 | 14.50 | 88.9 |
| CPT3181-16C | 16 | 31.90 | 4.3 | 14.50 | 88.9 |
| CPT3181-18C | 18 | 34.70 | 4.3 | 14.50 | 88.9 |
| CPT3181-20C | 20 | 38.00 | 4.3 | 14.50 | 101.6 |
| CPT3181-22C | 22 | 41.25 | 4.3 | 14.50 | 101.6 |
| CPT3181-24C | 24 | 44.40 | 4.3 | 15.55 | 101.6 |

Metal caps and stainless steel chains for receptacles.

CPT3181-XXN

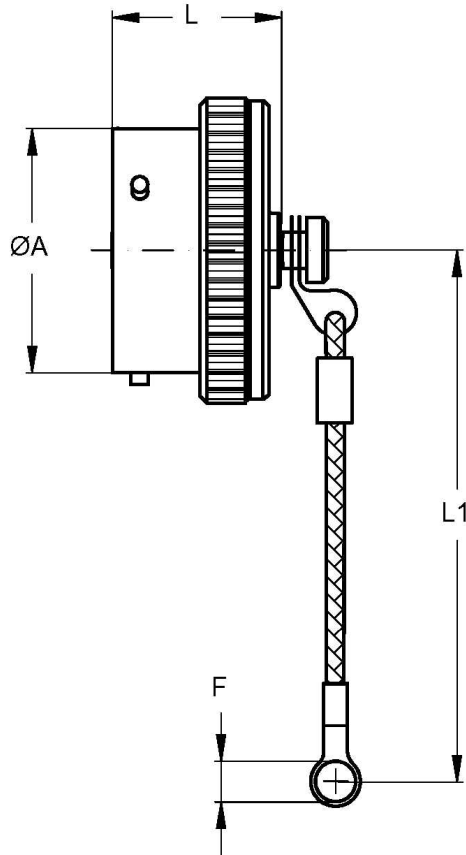


| P/N | Shell size | A Max. | F +0.2 -0.1 | L +0.25 -0 | L1 ±3 |
|-------------|------------|-----------|-------------------|------------------|----------|
| CPT3181- 8N | 8 | 17.95 | 14.70 | 14.50 | 76.2 |
| CPT3181-10N | 10 | 20.70 | 17.85 | 14.50 | 76.2 |
| CPT3181-12N | 12 | 25.40 | 22.65 | 14.50 | 88.9 |
| CPT3181-14N | 14 | 28.65 | 25.80 | 14.50 | 88.9 |
| CPT3181-16N | 16 | 31.90 | 29.00 | 14.50 | 88.9 |
| CPT3181-18N | 18 | 34.70 | 32.15 | 14.50 | 88.9 |
| CPT3181-20N | 20 | 38.00 | 35.35 | 14.50 | 101.6 |
| CPT3181-22N | 22 | 41.25 | 38.50 | 14.50 | 101.6 |
| CPT3181-24N | 24 | 44.40 | 41.00 | 15.55 | 101.6 |

Metal caps and stainless steel chains for receptacles.

Protective caps for plugs

CPT3180-XXCF

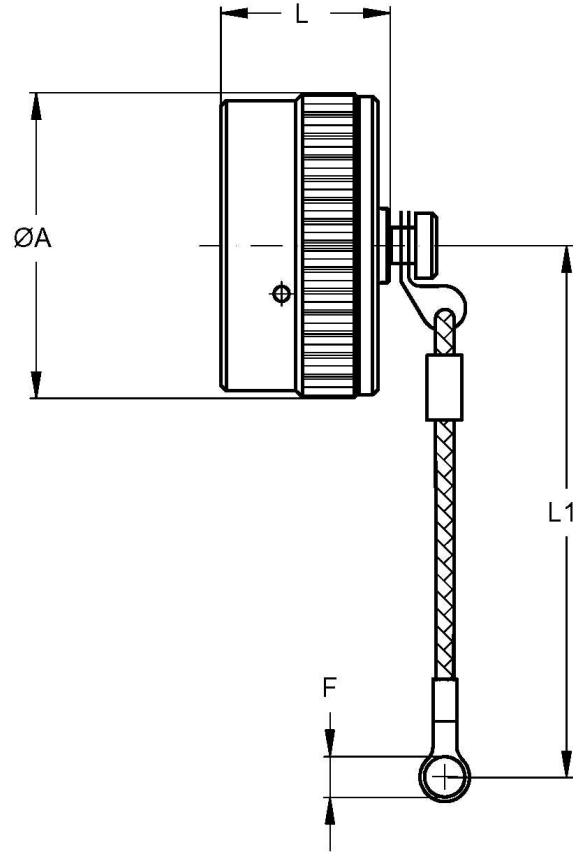


| P/N | Shell size | A + 0.02 -0.12 | F + 0.2 0 | L + 0.6 -0.4 | L1 min. |
|--------------|------------|----------------------|-----------------|--------------------|------------|
| CPT3180- 8CF | 8 | 12.01 | 4.3 | 13.5 | 76.2 |
| CPT3180-10CF | 10 | 14.98 | 4.3 | 13.5 | 76.2 |
| CPT3180-12CF | 12 | 19.05 | 4.3 | 13.5 | 88.9 |
| CPT3180-14CF | 14 | 22.22 | 4.3 | 13.5 | 88.9 |
| CPT3180-16CF | 16 | 25.40 | 4.3 | 13.5 | 88.9 |
| CPT3180-18CF | 18 | 28.57 | 4.3 | 13.5 | 88.9 |
| CPT3180-20CF | 20 | 31.75 | 4.3 | 15.1 | 101.6 |
| CPT3180-22CF | 22 | 34.92 | 4.3 | 15.1 | 101.6 |
| CPT3180-24CF | 24 | 38.10 | 4.3 | 15.9 | 101.6 |

Metal caps and nylon cord for plugs.

Protective caps for receptacles

CPT3181-XXCF

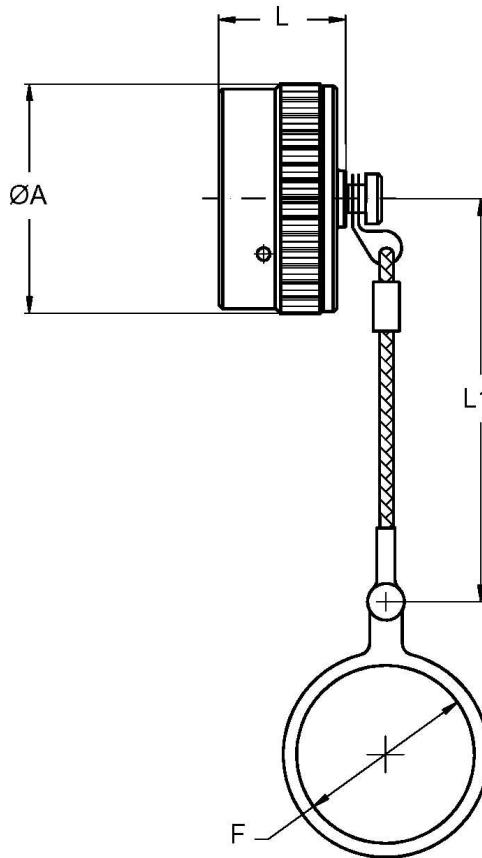


| P/N | Shell size | A Max. | F + 0.2 -0 | L + 0.5 -0 | L1 min. |
|--------------|------------|-----------|------------------|------------------|------------|
| CPT3181- 8CF | 8 | 17.95 | 4.3 | 14.50 | 76.2 |
| CPT3181-10CF | 10 | 20.70 | 4.3 | 14.50 | 76.2 |
| CPT3181-12CF | 12 | 25.40 | 4.3 | 14.50 | 88.9 |
| CPT3181-14CF | 14 | 28.65 | 4.3 | 14.50 | 88.9 |
| CPT3181-16CF | 16 | 31.90 | 4.3 | 14.50 | 88.9 |
| CPT3181-18CF | 18 | 34.70 | 4.3 | 14.50 | 88.9 |
| CPT3181-20CF | 20 | 38.00 | 4.3 | 14.50 | 101.6 |
| CPT3181-22CF | 22 | 41.25 | 4.3 | 14.50 | 101.6 |
| CPT3181-24CF | 24 | 44.40 | 4.3 | 15.55 | 101.6 |

Metal caps and nylon cord for flange mounting receptacles.

Protective caps for receptacles

CPT3181-XXNF



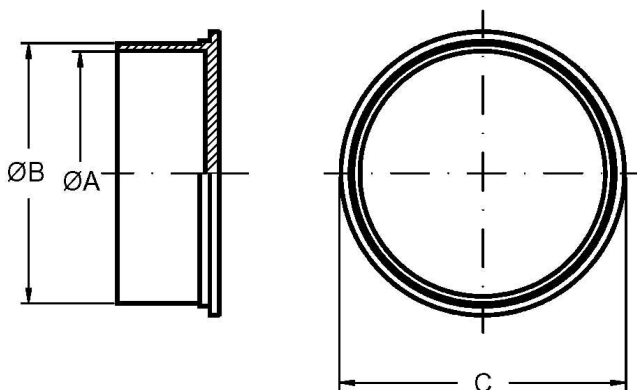
| P/N | Shell size | A Max. | F + 0.2 -0.1 | L + 0.25 -0 | L1 ± 3 |
|--------------|------------|-----------|--------------------|-------------------|-----------|
| CPT3181- 8NF | 8 | 17.95 | 14.70 | 14.50 | 76.2 |
| CPT3181-10NF | 10 | 20.70 | 17.85 | 14.50 | 76.2 |
| CPT3181-12NF | 12 | 25.40 | 22.65 | 14.50 | 88.9 |
| CPT3181-14NF | 14 | 28.65 | 25.80 | 14.50 | 88.9 |
| CPT3181-16NF | 16 | 31.90 | 29.00 | 14.50 | 88.9 |
| CPT3181-18NF | 18 | 34.70 | 32.15 | 14.50 | 88.9 |
| CPT3181-20NF | 20 | 38.00 | 35.35 | 14.50 | 101.6 |
| CPT3181-22NF | 22 | 41.25 | 38.50 | 14.50 | 101.6 |
| CPT3181-24NF | 24 | 44.40 | 41.00 | 15.55 | 101.6 |

Metal caps and nylon cord for single hole mounting receptacles.

Protective plastic caps

CM 90376-XX R

CM 90376-XX Y



| P/N | Shell size | A ±0.25 | B ±0.25 | C ±0.78 |
|--------------|---------------|------------|------------|------------|
| CM 90376- 8R | Receptacle 8 | 12.19 | 13.71 | 18.79 |
| CM 90376-10R | Receptacle 10 | 15.36 | 16.89 | 21.33 |
| CM 90376-14Y | Receptacle 12 | 18.28 | 19.68 | 24.63 |
| CM 90376-16Y | Receptacle 14 | 21.59 | 22.98 | 28.57 |
| CM 90376-18Y | Receptacle 16 | 24.71 | 26.28 | 30.98 |
| CM 90376-20Y | Peceptacle 18 | 27.76 | 29.33 | 33.78 |
| CM 90376-22Y | Peceptacle 20 | 31.26 | 33.04 | 37.21 |
| CM 90376-24Y | Receptacle 22 | 34.03 | 35.81 | 40.38 |
| CM 90376-24R | Receptacle 24 | 37.16 | 38.93 | 43.18 |

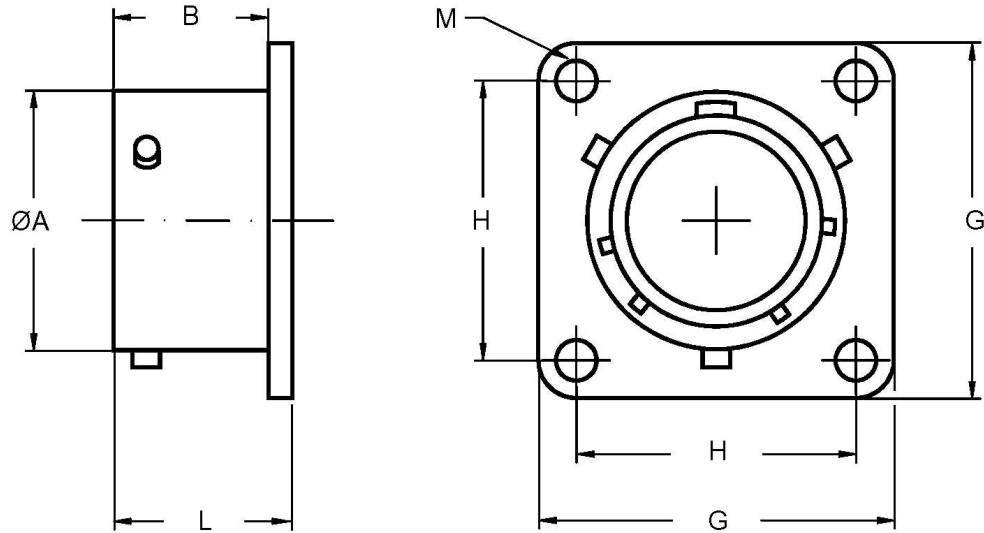
| P/N | Shell size | A ±0.25 | B ±0.25 | C ±0.78 |
|--------------|------------|------------|------------|------------|
| CM 90376- 8Y | Plug 8 | 10.49 | 12.26 | 17.01 |
| CM 90376- 8R | Plug 10 | 13.46 | 15.11 | 19.05 |
| CM 90376-12Y | Plug 12 | 16.63 | 18.16 | 21.84 |
| CM 90376-12R | Plug 14 | 19.93 | 21.46 | 26.18 |
| CM 90376-16Y | Plug 16 | 22.68 | 24.46 | 28.57 |
| CM 90376-16R | Plug 18 | 26.11 | 27.63 | 31.75 |
| CM 90376-18R | Plug 20 | 29.21 | 30.86 | 35.71 |
| CM 90376-20R | Plug 22 | 32.25 | 34.03 | 38.10 |
| CM 90376-22R | Plug 24 | 35.30 | 37.08 | 41.65 |

Plastic caps for protection against dust
and limited damage .

Dummy receptacle

CPT3115-XX

CPT3115A-XX



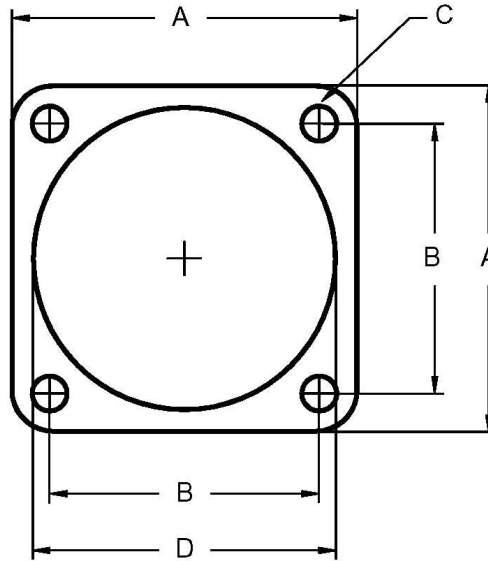
| Shell size | A +0.02 -0.12 | B +0.25 -0 | G ±0.4 | H ±0.1 | L +0.6 -0.25 | M ±0.12 |
|------------|---------------------|------------------|-----------|-----------|--------------------|------------|
| 8 | 12.01 | 10.95 | 20.6 | 15.10 | 12.5 | 3.04 |
| 10 | 14.98 | 10.95 | 23.8 | 18.25 | 12.5 | 3.04 |
| 12 | 19.05 | 10.95 | 26.2 | 20.60 | 12.5 | 3.04 |
| 14 | 22.22 | 10.95 | 28.6 | 23.00 | 12.5 | 3.04 |
| 16 | 25.40 | 10.95 | 31.0 | 24.60 | 12.5 | 3.04 |
| 18 | 28.57 | 10.95 | 33.3 | 27.00 | 12.5 | 3.04 |
| 20 | 31.75 | 14.10 | 36.5 | 29.35 | 16.5 | 3.04 |
| 22 | 34.92 | 14.10 | 39.7 | 31.75 | 16.5 | 3.04 |
| 24 | 38.10 | 15.00 | 42.9 | 39.40 | 17.3 | 3.73 |

CPT3115-XX : Dummy receptacle with rear base and seal . Conforms to MIL-C-26482 .

CPT3115A-XX : Dummy receptacle without rear base and seal .

Flange mounting gasket

CPT 10-101949-XX

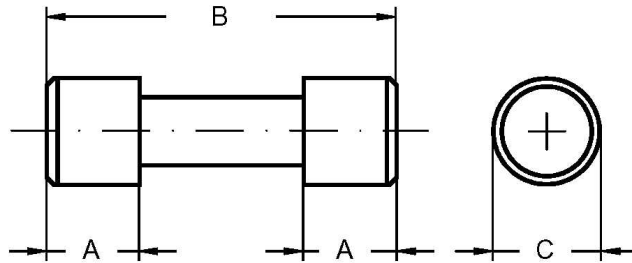


| P/N | Shell size | A ± 0.5 | B ± 1 | C ± 0.7 | D ± 0.5 |
|------------------|------------|------------|----------|------------|------------|
| CPT 10-101949- 8 | 8 | 20.6 | 15.10 | 3.3 | 12.7 |
| CPT 10-101949-10 | 10 | 23.8 | 18.25 | 3.3 | 15.9 |
| CPT 10-101949-12 | 12 | 26.2 | 20.60 | 3.3 | 19.1 |
| CPT 10-101949-14 | 14 | 28.6 | 23.00 | 3.3 | 22.3 |
| CPT 10-101949-16 | 16 | 31.0 | 24.60 | 3.3 | 25.5 |
| CPT 10-101949-18 | 18 | 33.3 | 27.00 | 3.3 | 28.6 |
| CPT 10-101949-20 | 20 | 36.5 | 29.35 | 3.3 | 31.8 |
| CPT 10-101949-22 | 22 | 39.7 | 31.75 | 3.3 | 35.0 |
| CPT 10-101949-24 | 24 | 42.9 | 34.90 | 4.0 | 38.2 |

Flange mounting neoprene gasket for box mounting receptacles. Shielded versions are available upon request.

Grommet sealing plugs

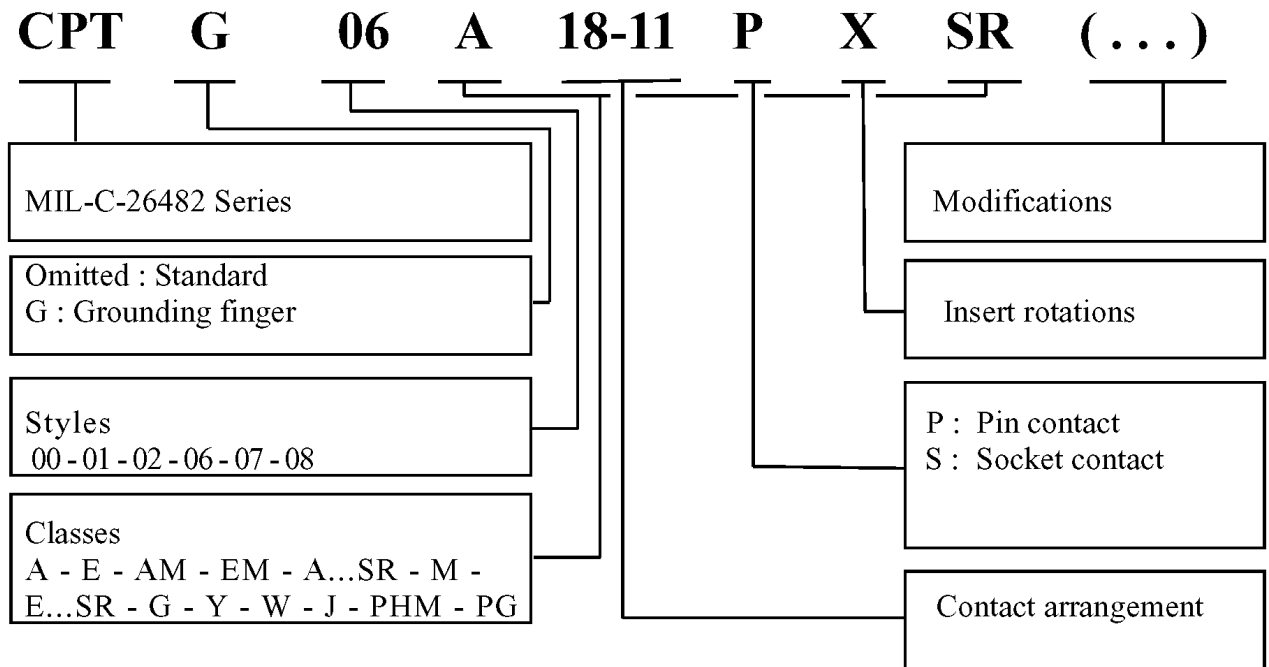
CPT 10-101033



| P/N | Hole size | A ±0.13 | B ±0.25 | C ±0.13 | Colour |
|------------------|-----------|------------|------------|------------|--------|
| CPT 10-101033-11 | 20 | 2.92 | 9.53 | 2.92 | Red |
| CPT 10-101033-12 | 16 | 3.17 | 11.91 | 3.68 | Blue |

Plastic grommet sealing plugs for use in empty grommet thru holes.

How to order



Modifications

Contacts

Omitted for standard version (solder contacts)
C Connector with crimp contacts

Shells

Omitted for standard version
N Connector with nickel plating
P Connector with cationic electro deposition plating
G Connector with Cadmium free plating

Assembly with accessories

Omitted for standard version (. . .)
N0 Connector less backshell
NXXX = Suffix to identify a custom designed connector

X-ON Electronics

Largest Supplier of Electrical and Electronic Components

Click to view similar products for [epic manufacturer](#):

Other Similar products are found below :

[44420040 + 73002716](#) [19426500](#) [72004000 + 73018000](#) [13.1623](#) [11161000](#) [11.1610](#) [9198+00022030](#) [72004000 + 73002756](#) [72000010](#)
[10.5310](#) [10.4264+10.4310](#) [72040010](#) [HA4-FK-TE-SM-M-M20](#) [10.4310](#) [8883+00022030](#) [10.1270+10.1970+12.9545](#) [10.4220+10.4320](#)
[10.4265+10.4235+10.4200+10.4210](#) [10121000+10196000+12954500](#) [10.0720](#) [44420037 + 73002752](#) [10102000](#) [10.4264](#) [72004000 +](#)
[73002716](#) [8990+00022030](#) [44420037 + 73018000](#) [10.1210+10.1960+12.9545](#) [10.4881](#) [10431000](#) [10.1920](#)
[10.0220+10.0030+10.1900+10.1910+12.9544](#) [44420037 + 73028500](#) [10.4861](#) [13.1622](#) [44420037 + 73002716](#) [10.1900](#)