



REAL TIME CLOCK MODULE (SPI-Bus)



Product Number
RTC-4574SA : Q41457452000200

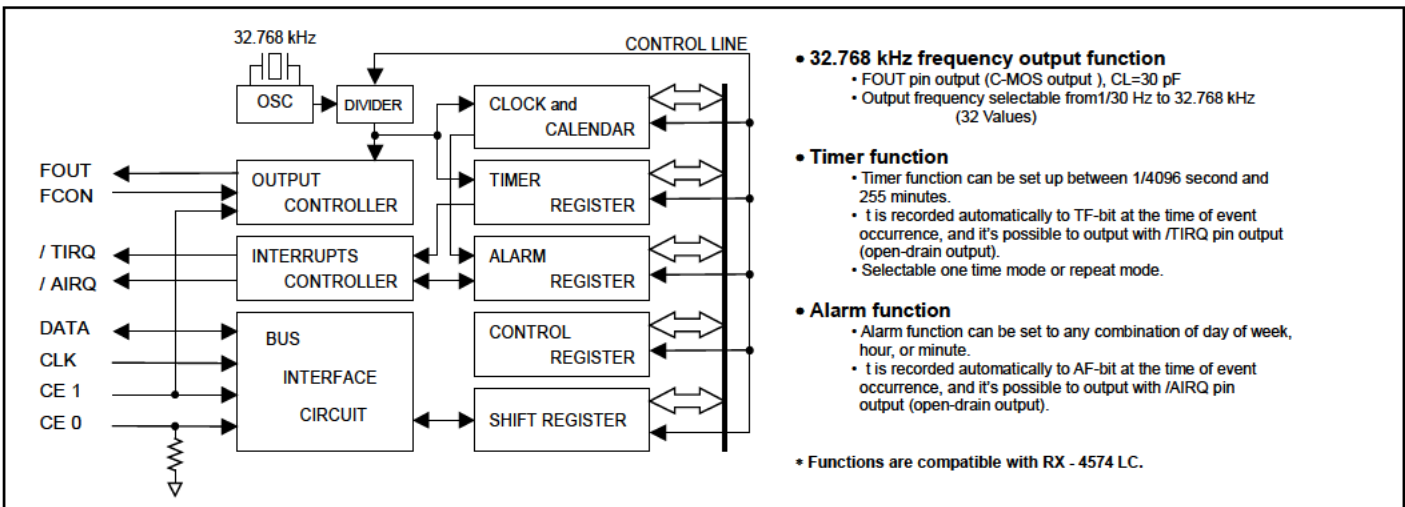
RTC-4574SA

- Built in frequency adjusted 32.768 kHz crystal unit.
Interface Type : 3-wire serial interface
Operating voltage range : 1.6 V to 5.5 V
Wide Timekeeper voltage range : 1.6 V to 5.5 V
Low backup current : 0.5 μA / 3 V (Typ.)
32.768 kHz frequency output function : C-MOS output With Control Pin
The various functions include full calendar, alarm, timer.



Block diagram

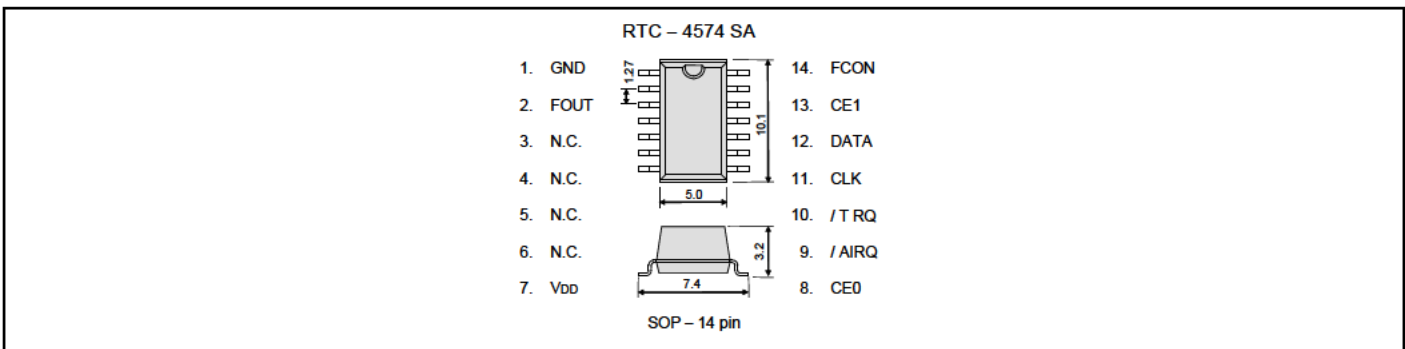
Overview



- 32.768 kHz frequency output function
Timer function
Alarm function

Terminal connection / External dimensions

(Unit:mm)



The metal case inside of the molding compound may be exposed on the top or bottom of this product. This purely cosmetic and does not have any effect on quality, reliability or electrical specs.

Specifications (characteristics)

* Refer to application manual for details.

Recommended Operating Conditions

Table with 7 columns: Item, Symbol, Conditions, Min., Typ., Max., Unit. Rows include Power voltage, Clock voltage, and Operating temperature.

Frequency characteristics

Table with 5 columns: Item, Symbol, Conditions, Rating, Unit. Rows include Frequency tolerance and Oscillation start-up time.

* Please ask for tighter tolerance.(Equivalent to ±1 minute of monthly deviation)

Current consumption characteristics

Ta = -40 °C to +85 °C

Table with 7 columns: Item, Symbol, Conditions, Min., Typ., Max., Unit. Rows show current consumption for IbK and Iszk under various VDD and CE pin conditions.

X-ON Electronics

Largest Supplier of Electrical and Electronic Components

Click to view similar products for [Real Time Clock](#) category:

Click to view products by [Epson](#) manufacturer:

Other Similar products are found below :

[MCP79400T-IMS](#) [DS1302Z-LF](#) [DS1315-5](#) [MCP79402-IMS](#) [MCP7940N-IP](#) [710029X](#) [MCP79400T-I/SN](#) [DS1683S+T&R](#) [DS1374U-33T&R](#)
[DS1372U+T&R](#) [DS1308U-3+](#) [DS1338U-18+T&R](#) [879047C](#) [405800G](#) [DS1341U+T&R](#) [DS1374U-33](#) [MCP79400T-ISN](#) [DS1340U-3+T&R](#)
[MCP7940NT-E/MS](#) [RX8900SA UA3 PURE SN](#) [PT7C43390LE](#) [DS1318E+T&R](#) [DS1342T+T&R](#) [PT7C4337ACSE](#) [RX8900SA UB3 PURE](#)
[SN](#) [RV-3029-C2-32.768k-OPTION-B-TB-QA](#) [RV-3029-C2-32.768k-OPTION-A-TB-QA](#) [PT7C4337AWEX](#) [PT7C4563UEX](#) [PT7C4311WEX](#)
[DS1374C-33#T&R](#) [RV-3029-C3-32.768k-OPTION-A-TB-QA](#) [RV-2123-C2-32.768kHz-20PPM-TA-QC](#) [DS1308U-33+T](#) [DS1339U-3+T&R](#)
[DS1339BU+T](#) [PT7C4307WEX](#) [DS1339AU+T](#) [DS1308U-18+T](#) [RX8804CE XA3](#) [DS1341T+T&R](#) [RX-8025SA](#) [MAX31343ETAY+](#)
[MCP79401-I/ST](#) [MCP795W20-IST](#) [MCP79400-I/ST](#) [MCP79401-I/SN](#) [MCP7940N-EMS](#) [MCP7940N-E/SN](#) [MCP795W11-IST](#)