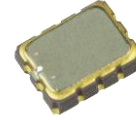




Product Number (2,000 pcs / Reel)
RX4901CE XS A0 : X1B000471000115
RX4901CE XB A0 : X1B000471000215
RX4901CE XS B0 : X1B000471000315
RX4901CE XB B0 : X1B000471000415
RX4901CE XS C0 : X1B000471000515
RX4901CE XB C0 : X1B000471000615
RX4901CE XS D0 : X1B000471000715
RX4901CE XB D0 : X1B000471000815



RX4901CE
 (3.2 x 2.5 mm, t = 1.0 mm Max.)

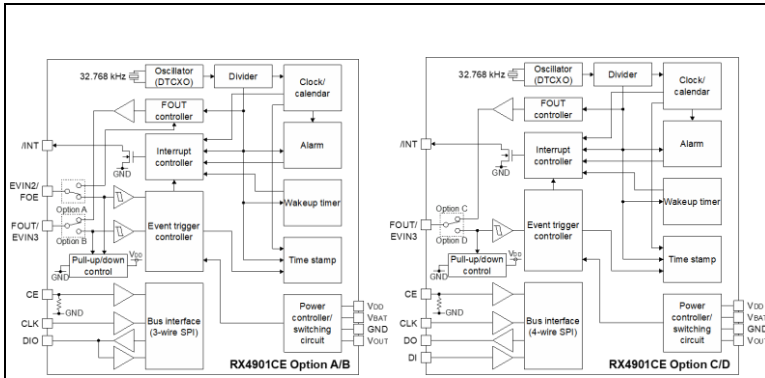
REAL TIME CLOCK MODULE (SPI-Bus)

Built-in 32.768 kHz-DTCXO, +105°C operating temperature,
 Low current consumption, Built-in power supply switching circuit and
 Time stamp function up to 32 records

RX4901CE

- Built in frequency adjusted 32.768 kHz crystal unit and DTCXO
- Interface Type : 3 wire / 4 wire SPI-Bus
- Current consumption : 240 nA / 3 V (Typ.)
- Auto power switching function : Automatically switches to backup power supply by monitoring the VDD / VBAT voltage
- Time stamp function : Maximum 32 time stamps
- Interrupt output : Wake up every hour or every minute or every second
- Alarm interruption : Day, date, hour, minute, second
- Auto repeat wakeup timer interruption
- Self-monitoring interruption : Crystal oscillation stop, VBAT low, VDD low

Block diagram



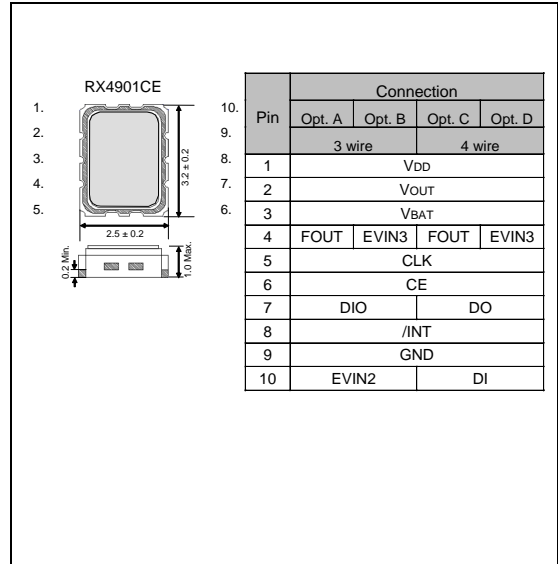
Overview

- Interface type : 3 wire / 4 wire SPI-Bus
- High stability
 XS : $\pm 3.0 \times 10^{-6}$ / -40 °C to +85 °C (Monthly rate: ± 8 seconds)
 $\pm 5.0 \times 10^{-6}$ / +85 °C to +105 °C (Monthly rate: ± 13.2 seconds)
 XB : $\pm 5.0 \times 10^{-6}$ / -40 °C to +85 °C (Monthly rate: ± 13.2 seconds)
 $\pm 8.0 \times 10^{-6}$ / +85 °C to +105 °C (Monthly rate: ± 21 seconds)
- Time stamp function
 Trigger source: External event (EVIN) input, voltage drop/oscillation stop status detected, command input from the host
 Record data: 1/1024 seconds to 1 second, seconds, minutes, hours, days, months, years
 Number of recordable events: Maximum 32 events
- Backup power supply switching function
 The VDD and VBAT voltages are monitored to switch between Normal mode (VDD operation) and Backup mode (VBAT operation).
- Clock output (FOUT)
 Selectable from 32.768 kHz, 1024 Hz and 1 Hz outputs
 Output can be controlled by a register or FOE input (selectable with a register).

Pin Function

Signal Name	I / O	Function
EVIN2,3	Input	External event input pins. Detectable even in Backup mode. Pull-up and pull-down is configurable by the registers
CE	Input	Slave select input pin A pull-down resistor (Typ. 300 kΩ) is included
CLK	Input	Serial clock input pin
DI	Input	Serial data input pin (4 wire)
DO	Output	Serial data Output pin (4 wire)
DIO	Input / Output	Serial data input/output pin (3 wire)
FOUT	Output	Frequency output pin (CMOS). 32.768 kHz (default), 1024 Hz or 1 Hz clock output is selectable. This pin can be switched to the wakeup timer interrupt output (CMOS)
/INT	Output	Interrupt output pin (N-ch. open drain). The wakeup timer, time update, alarm, and/or event detection interrupt signals can be selected to output from this pin. When two or more signals are selected, they are NORed before being output. This pin is effective even in Backup mode.
VDD	-	Power-supply pin
VOUT	-	Internal operating voltage output pin Connect a 1.0 μF bypass capacitor to this pin.
VBAT	-	Backup power supply pin Connect a backup power supply such as a large-size capacitor, secondary battery, or primary battery. The operating power voltage is supplied from this pin to the internal circuits in Backup mode.
GND	-	Ground pin

Terminal connection / External dimensions (Unit: mm)



Specifications (characteristics)

* Refer to application manual for details

Recommended Operating Conditions

Item	Symbol	Condition	Min.	Typ.	Max.	unit
Operating voltage	VDD	-	1.6	3.0	5.5	V
Clock supply voltage	VCLK	-	1.1	3.0	5.5	V
Operating Temperature	Ta	-	-40	+25	+105	°C
VDD detection voltage	-VDET1	VDD, Fall	1.35	1.45	1.55	V

Frequency Characteristics

Item	Symbol	Condition	Min.	Typ.	Max.	unit	
Frequency tolerance	$\Delta f / f$	XS	Ta = -40 to +85 °C	-3	-	+3	$\times 10^{-6}$
			Ta = +85 to +105 °C	-5	-	+5	
		XB	Ta = -40 to +85 °C	-5	-	+5	
			Ta = +85 to +105 °C	-8	-	+8	
start-up time	tSTA	Ta = +25 °C, VDD = 1.6 V ~ 5.5 V	-	0.5	1.0	s	

Current consumption

Ta = -40 °C to +105 °C

Item	Symbol	Condition	Min.	Typ.	Max.	unit
IDD	IBAT	VBAT = 3.0 V, /INT= Hi-Z, FOUT: Output OFF (Hi-Z), Temperature compensation interval: 2 s, FSEL1 = FSEL0 = 1, INIEN = 1, CHGEN = 0, CE = L	-	240	1500	nA
	I32k	VDD = 3.0 V, /INT= Hi-Z, FOUT: 32 kHz output, CL = 0 pF, Temperature compensation interval: 2 s, FSEL1 = FSEL0 = 0, INIEN = 1, CHGEN = 0, CE = L	-	1.0	3.0	μA

Option

I/F	Option	EVIN pin Number	/INTpin Number	FOUT	Number of time stamps recorded by EVIN terminal trigger	
					FIFO Mode	Direct Mode
SPI 3 wire	A	1	1	Yes	32 times	12 times
	B	2	1	-	32 times	22 times
SPI 4 wire	C	0	1	Yes	0 time	0 time
	D	1	1	-	32 times	10 times



Product name

RX4901CE XS A0
① ② ③

- ① Model CE type package 3.2 x 2.5 x 1.0 mm
- ② Frequency tolerance
 - XS: $\pm 3.0 \times 10^{-6}$ / -40 °C to +85 °C (Monthly rate: ± 8 seconds)
 - $\pm 5.0 \times 10^{-6}$ / +85 °C to +105 °C (Monthly rate: ± 13.2 seconds)
 - XB: $\pm 5.0 \times 10^{-6}$ / -40 °C to +85 °C (Monthly rate: ± 13.2 seconds)
 - $\pm 8.0 \times 10^{-6}$ / +85 °C to +105 °C (Monthly rate: ± 21 seconds)
- ③ Pin Option
 - A: Option A
 - B: Option B
 - C: Option C
 - D: Option D

X-ON Electronics

Largest Supplier of Electrical and Electronic Components

Click to view similar products for [Real Time Clock](#) category:

Click to view products by [Epson](#) manufacturer:

Other Similar products are found below :

[DS1302Z-LF](#) [CDP68HC68T1M](#) [DS3231SNTR](#) [DS1306](#) [DS12887](#) [RX8900SA UA3 PURE SN](#) [RX8900SA UB3 PURE SN](#) [PT7C4563UEX](#)
[RX8900SA UC3 PURE SN](#) [PCF85263AUKZ](#) [RX6110SA:B3 PURE SN](#) [RX-8803LCUB PURE SN BULK](#) [1338B-18DVGI](#) [RX6110SA:B0](#)
[PURE SN](#) [RX-8025SA:AC0](#) [RX-8571SA:B0 PURE SN](#) [RX-8571LCB0 PURE SN](#) [RTC-8564JE:BB ROHS](#) [RX-4045SAAA0 PURE SN](#)
[RX8804CE XB0](#) [RX8111CE B0](#) [ISL12022MIBZ-TR5421](#) [PT7C4363WEX](#) [PT7C4563LEX](#) [RV-4162-C7-32.768KHZ-20PPM-TA-QA](#) [RV-](#)
[3129-C3-32.768KHZ-6PPM-OPTION-A-TA-QC](#) [RV-8803-C7-32.768KHZ-7PPM-TA105-QA](#) [X1B000301000200](#) [RV-3129-C3-32.768KHZ-](#)
[30PPM-OPTION-B-TB-QA](#) [RV-3149-C3-32.768KHZ-30PPM-OPTION-B-TB-QA](#) [RV-3129-C3-32.768KHZ-25PPM-OPTION-B-TA-QC](#)
[RV-8803-C7-32.768KHZ-3PPM-TA-QA](#) [X1B000421000214](#) [RX8111CE B](#) [BLX8563-PARC SOP-8L](#) [DS1302ZN-HXY](#) [AiP1302SA8.TR](#)
[X1B0004710006](#) [HT1382-10MSOP](#) [X1B0002320001](#) [BM8563EHA](#) [X1B0004210002](#) [SL8025T-UB](#) [PCA2131TF/Q900Y](#) [X1B0004810002](#)
[PCF8563T-HXY](#) [BM85163EMA](#) [HT8563ARMZ](#) [DS1307ZN-HXY](#) [DS1307MM/TR](#)