



REAL TIME CLOCK MODULE (I²C-Bus)
Built-in 32.768 kHz-DTCXO, High Stability

RX-8803SA / LC

- Product Number**
 RX-8803SA UB : X1B000151000100
 RX-8803SA UA : X1B000151000200
 RX-8803SA UC : X1B000151000300
 RX-8803SA AA : X1B000151000400
 RX-8803LC UA : X1B000142000100
 RX-8803LC UB : X1B000142000200
 RX-8803LC UC : X1B000142000300
 RX-8803LC AA : X1B000142000400

- Built in frequency adjusted 32.768 kHz crystal unit and DTCXO.
- 1/100s resolution Time register
- Interface Type : I²C-Bus interface (400kHz)
- Interface voltage range : 1.6 V to 5.5 V
- Temp. compensated voltage range : 2.2 V to 5.5 V
- Clock supply voltage range : 1.6 V to 5.5 V
- Selectable clock output (32.768 kHz, 1024 Hz, 1 Hz)
- The various functions include full calendar, alarm, timer, EVIN input.

Epson prepared Linux driver for development.

(http://www5.epsondevice.com/en/information/support/linux_rtc/)

The registered trademark Linux® is used pursuant to a sublicense from LM (Linux Mark Institute)

The I²C-Bus is a trademark of NXP Semiconductors.

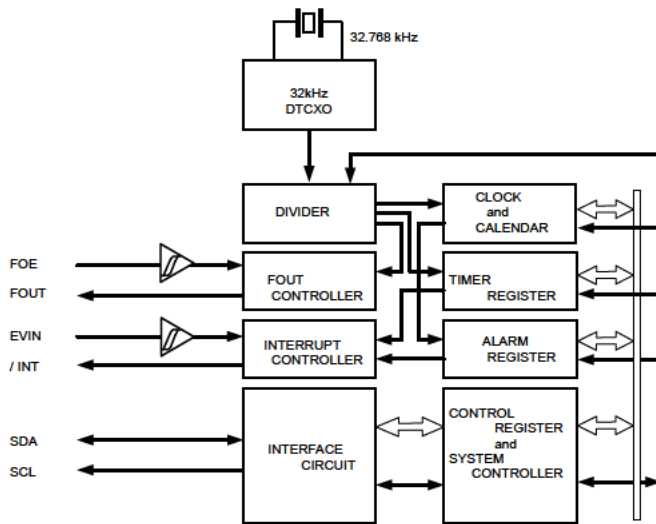


RX-8803SA



RX-8803LC

Block diagram



Overview

- **High Stability**
 - UA ± 3.4 × 10⁻⁶ / -40 °C to +85 °C (Equivalent to ±9 seconds of month deviation)
 - UB ± 5.0 × 10⁻⁶ / -40 °C to +85 °C (Equivalent to ±13 seconds of month deviation)
 - UC ± 5.0 × 10⁻⁶ / -30 °C to +70 °C
 - AA (+5 ± 5.0) × 10⁻⁶ / +25 °C
- **High Resolution:** 1/100s Time register with capture buffer
- **32.768 kHz frequency output function**
 - FOUT pin output (C-MOS output), CL=30 pF
 - Output selectable: 32.768 kHz, 1024 Hz, 1 Hz
- **The various interrupt**
 - Timer Function can be set between 1/ 4096 second and 4095 minutes.
 - Alarm Function can be set to day of week, day, hour, or minute.
 - EVIN input.
- **Time synchronize function with 1PPS signal input**
- **Register compatibility:** upper compatible with RX-8801.

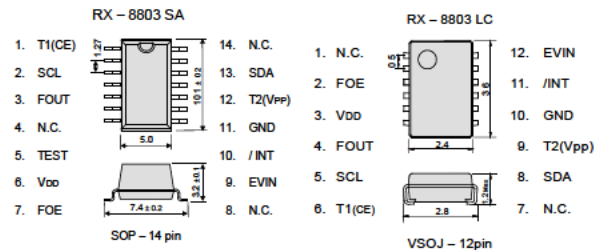
*It is possible to use it by the terminal connection as 32.768 kHz-DTCXO.

Pin Function

Signal Name	I / O	Function
T1(CE)	input	Use by the manufacture for testing. (Do not connect externally.)
SCL	input	Serial clock input pin.
FOUT	Output	The pin outputs the reference clock signal. (CMOS output)
TEST	input	Use by the manufacture for testing. (Do not connect externally. RX-8803SA only.)
VDD	-	Connected to a positive power supply
FOE	input	The input pin for the FOUT output control.
EVIN	input	External event input.
/INT	Output	Interrupt output (N-ch. open drain).
GND	-	Connected to a ground
T2(VPP)	-	Use by the manufacture for testing. (Do not connect externally.)
SDA	I/O	Data input and output pin.

Terminal connection / External dimensions

(Unit mm)



The metal case inside of the molding compound may be exposed on the top or bottom of this product. This purely cosmetic and does not have any effect on quality, reliability or electrical specs.

***Stop using the glue**
 Any glue must never use it after soldering LC-package to a circuit board. This product has glass on the back side of a package. When glue invasions between circuit board side and glass side, then glass cracks by thermal expansion of glue. In this case a crystal oscillation stops. Consider glue abolition or glue do not touch to LC-package

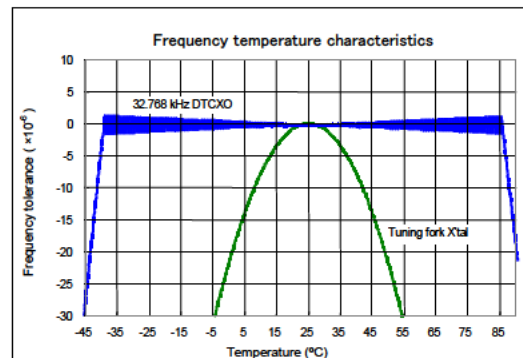
Specifications (characteristics)

* Refer to application manual for details.

Electrical Characteristics

Item	Symbol	Conditions	Min.	Typ.	Max.	Unit	
Operating voltage	VDD	Interface voltage	1.6	3.0	5.5	V	
Temp. compensated Voltage	VTEM	Temp. compensated voltage	2.2	3.0	5.5	V	
Clock supply voltage	VCLK	-	1.6	3.0	5.5	V	
Operating temperature	TOPR	-	-40	+25	+85	°C	
Stability	Δf/f	UA	Ta = -40 °C to +85 °C	±3.4 ^{*1}		× 10 ⁻⁶	
		UB	Ta = -40 °C to +85 °C	±5.0 ^{*2}			
		UC	Ta = -30 °C to +70 °C				
		AA	Ta = +25 °C	5 ± 5.0 ^{*3}			
Current consumption (1)	I _{DD1}	Backup Mode FOE = GND, /INT = VDD FOUT output : OFF	VDD = 5V	-	0.75	3.4	μA
Current consumption (2)	I _{DD2}		VDD = 3V	-	0.75	2.1	μA

32.768 kHz-DTCXO Frequency temperature characteristics (Example)



*1) Equivalent to ±9 seconds of month deviation. *2) Equivalent to ±13 seconds of month deviation.

*3) Equivalent to ±13 seconds of month deviation. (excluding offset)

X-ON Electronics

Largest Supplier of Electrical and Electronic Components

Click to view similar products for [Epson manufacturer](#):

Other Similar products are found below :

[6400-0003-901](#) [C001R-32.768KHZ-10PF/20P](#) [C-002RX 32.7680K-A:PBFREE](#) [C-002RX 32.7680K-E:PBFREE](#) [C-004R 32.7680K-A:PBFREE](#) [C-2 100.0000K-P:PBFREE](#) [C-2 20.0000K-P:PBFREE](#) [C-2 25.6000K-P:PBFREE](#) [C-2 40.0000K-P:PBFREE](#) [C-2 76.8000K-P:PBFREE](#) [C-2 96.0000K-P:PBFREE](#) [CA-301 10.2400M-C:PBFREE](#) [CA-301 14.31818M-C:PBFREE](#) [CA-301 14.7456M-C:PBFREE](#) [CA-301 16.0000M-C:PBFREE](#) [CA-301 24.0000M-C:PBFREE](#) [CA-301 28.3220M-C:PB Free](#) [CA-301 50.0700M-K:PB Free](#) [CA-301 6.1440M-C:PBFREE](#) [CA-301 7.200M-C:PBFREE](#) [CA-301 8.432M-C:PBFREE](#) [CA-301 9.6000M-C:PB Free](#) [CA-301 9.8304M-C:PBFREE](#) [EG-2001CA 125.0000M-PCHB](#) [EG-2001CA 125.0000M-PCHL0](#) [EG-2001CA 125.0000M-PCHL3](#) [EG-2001CA 125.0000M-PCZB](#) [EG-2101CA 125.0000M-PCHL3](#) [EG-2102CA 100.0000M-HGSNL3](#) [EG-2102CA1000000M-HGSNL3](#) [EG-2102CA 100.0000M-PHRAL3](#) [EG-2102CA 125.0000M-PHPAL3](#) [EG-2102CA1562500M-LHRAL3](#) [EG-2102CA 156.2500M-PGPAL3](#) [EG-2102CA 156.2500M-PHPAL3](#) [EG-2102CA 200.0000M-PHPAB](#) [EG-2102CA350.0000MLGPAL3](#) [EG-2102CB 156.2500M-LGPAL3](#) [EG-2121CA 100.0000M-LGPAB](#) [EG-2121CA 100.0000M-LGPAL3](#) [EG-2121CA1000000M-LGPAL3](#) [EG-2121CA 100.0000M-PHPAB](#) [EG-2121CA 125.0000M-LHPAB](#) [EG-2121CA 125.0000M-LHPAL3](#) [EG-2121CA 125.0000M-PHPAL3](#) [EG-2121CA 156.2500M-LHPAB](#) [EG-2121CA 156.2500M-LHPAL3](#) [EG-2121CA 156.2500M-LHRAB](#) [EG-2121CA 156.2500M-PGPAL3](#) [EG-2121CA 200.0000M-LGPAB](#)