

**Built-in 32.768 kHz-DTCXO, High Stability  
I<sup>2</sup>C-Bus INTERFACE REAL TIME CLOCK MODULE**

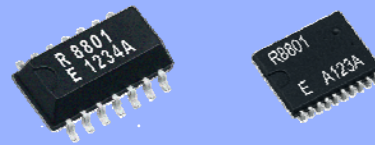
**RX - 8801 SA / JE**

- Built in frequency adjusted 32.768 kHz crystal unit and DTCXO.
- Interface Type : I<sup>2</sup>C-Bus Interface (400 kHz)
- Interface voltage range : 1.6 V to 5.5 V
- Temp.compensated voltage range: 2.2 V to 5.5 V
- Wide Timekeeper voltage range : 1.6 V to 5.5 V
- 32.768 kHz frequency output function : C-MOS output With Control Pin
- The various functions include full calendar, alarm, timer.

\* The I<sup>2</sup>C-Bus is a trademark of NXP Semiconductors



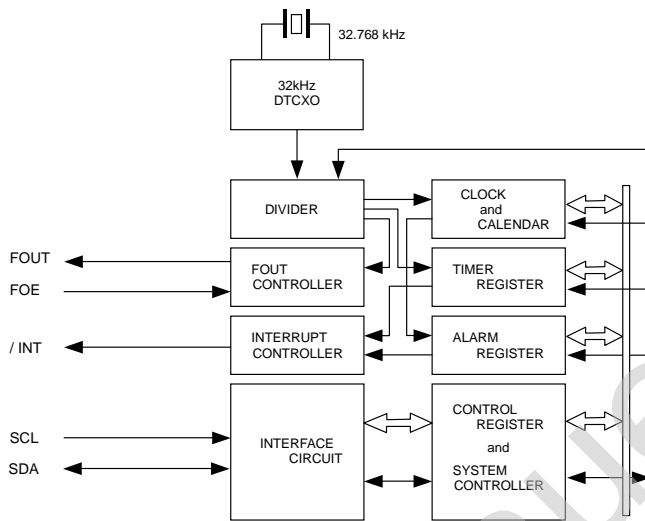
Product Number (Please contact us)  
**RX-8801SA : X1B000011xxxx00**  
**RX-8801JE : X1B000031xxxx00**



Actual size



**Block diagram**



**Overview**

- High Stability
  - UA  
 $\pm 1.9 \times 10^{-6}$  / 0 °C to +40 °C  
 ( Equivalent to 5 seconds of month deviation )  
 $\pm 3.4 \times 10^{-6}$  / -40 °C to +85 °C  
 ( Equivalent to 9 seconds of month deviation )
  - UB  
 $\pm 3.8 \times 10^{-6}$  / 0 °C to +50 °C  
 ( Equivalent to 10 seconds of month deviation )  
 $\pm 5.0 \times 10^{-6}$  / -40 °C to +85 °C  
 ( Equivalent to 13 seconds of month deviation )
- 32.768 kHz frequency output function
  - FOUT pin output (C-MOS output), CL=30 pF
  - Output selectable  
 < 32.768 kHz, 1024 Hz, 1 Hz >
- The various interrupt
  - Timer Function can be set up between  
 1/4096 second and 255 minutes.
  - Alarm Function can be set to day of week,  
 day, hour, or minute.

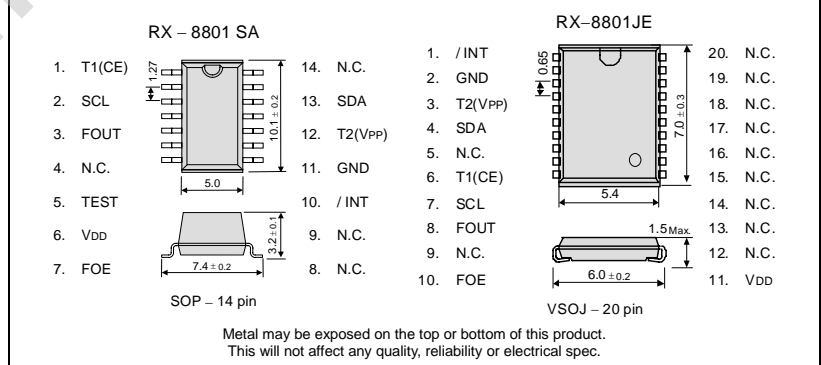
\*It is possible to use it by the terminal connection as 32.768 kHz-DTCXO.

**Pin Function**

Signal Name	I / O	Function
T1(CE)	input	* Use by the manufacture for testing. ( Do not connect externally.)
SCL	input	Serial clock input pin
FOUT	Output	The pin outputs the reference clock signal. ( CMOS output )
TEST	input	* Use by the manufacture for testing. ( Do not connect externally.)
VDD	-	Connected to a positive power supply
FOE	input	The input pin for the FOUT output control.
/INT	Output	Interrupt output ( N-ch open drain )
GND	-	Connected to a ground
T2(VPP)	-	* Use by the manufacture for testing. ( Do not connect externally.)
SDA	I / O	Data input and output pin

**Terminal connection / External dimensions**

(Unit:mm)



Metal may be exposed on the top or bottom of this product.  
 This will not affect any quality, reliability or electrical spec.

**Specifications (characteristics)**

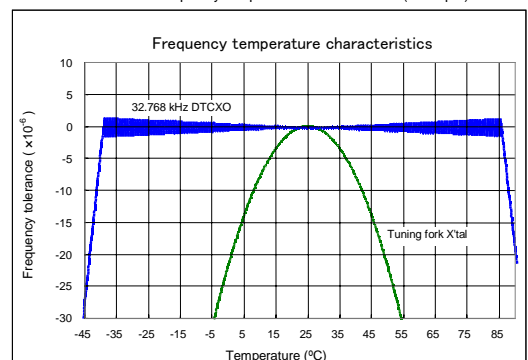
\* Refer to application manual for details.

■ Electrical Characteristics

Item	Symbol	Condition	Min.	Typ.	Max.	Unit	
Interface voltage	V <sub>DD</sub>	Interface voltage	1.6	3.0	5.5	V	
Temp. compensated Voltage	V <sub>TEM</sub>	Temp. compensated voltage	2.2	3.0	5.5	V	
Clock voltage	V <sub>CLK</sub>	-	1.6	3.0	5.5	V	
Operating temperature	T <sub>OPR</sub>	-	-40	+25	+85	°C	
Stability	Δf/f	UA	Ta = 0 °C to +40 °C	±1.9 <sup>*1</sup>		× 10 <sup>-6</sup>	
			Ta = -40 °C to +85 °C	±3.4 <sup>*2</sup>			
		UB	Ta = 0 °C to +50 °C	±3.8 <sup>*3</sup>			
			Ta = -40 °C to +85 °C	±5.0 <sup>*4</sup>			
Current consumption (1)	I <sub>BK1</sub>	Backup Mode FOE = GND, /INT = V <sub>DD</sub> FOUT output : OFF	V <sub>DD</sub> = 5V	-	1.2	3.4	μA
Current consumption (2)	I <sub>BK2</sub>		V <sub>DD</sub> = 3V	-	0.8	2.1	μA

\*1) Equivalent to 5 seconds of month deviation. \*2) Equivalent to 9 seconds of month deviation.  
 \*3) Equivalent to 10 seconds of month deviation. \*4) Equivalent to 13 seconds of month deviation.

■ 32.768 kHz-DTCXO Frequency temperature characteristics (Example)



## X-ON Electronics

Largest Supplier of Electrical and Electronic Components

*Click to view similar products for [Real Time Clock](#) category:*

*Click to view products by [Epson](#) manufacturer:*

Other Similar products are found below :

[DS1302Z-LF](#) [710029X](#) [879047C](#) [405800G](#) [PT7C43390LE](#) [RV-3029-C2-32.768k-OPTION-B-TB-QA](#) [RV-2123-C2-32.768k-20PPM-TA-QA](#)  
[RV-3029-C2-32.768k-OPTION-A-TB-QA](#) [PT7C4563UEX](#) [RV-3029-C3-32.768k-OPTION-A-TB-QA](#) [RV-2123-C2-32.768kHz-20PPM-TA-QC](#) [RX-4035LC:B3 PURE SN](#) [RX-8564LC:B PURE SN](#) [RX-8803LCUB PURE SN BULK](#) [BQ32002D](#) [RTC-8564JE](#) [MCP7940M-I/P](#)  
[DS3231SN#T&R](#) [DS1391U-18+](#) [DS1347T+T&R](#) [RX-8564LC:B3 PURE SN](#) [DS1338Z-33+T](#) [RX-4571SA:B3 PURE SN](#) [DS1340U-33+T&R](#)  
[RX-8571LC:B3 PURE SN](#) [S-35190A-J8T1U](#) [RTC-4543SAB](#) [RTC-72421A](#) [RX-8803LC:UB3 PURE SN](#) [S-35390A-T8T1](#) [AB1815-T3](#) [AB-RTCMC-32.768kHz-AIGZ-S7-T](#) [AB-RTCMC-32.768kHz-B5GA-S3-T](#) [AB-RTCMC-32.768kHz-B5ZE-S3-T](#) [AB-RTCMC-32.768kHz-EOA9-S3-D-B-T](#) [AB-RTCMC-32.768kHz-EOZ9-S3-D-B-T](#) [AB-RTCMC-32.768KHZ-EOZ9-S3-HAT](#) [AB-RTCMC-32.768kHz-ZIZE-S2-T](#)  
[DS1672U-33+](#) [DS1337U+T&R](#) [DS1339AU+](#) [FM33256B-G](#) [DS1673E-5-LF](#) [DS1672U-3+](#) [DS1672U-33+T&R](#) [HYM1307N](#) [HYM1302](#)  
[HYM1302N](#) [PCF8563N](#) [DS1302N](#)