

S1R72U16

USB2.0 Storage Host Controller LSI

- Easy solution for USB memory
- Support USB2.0 Host HS/FS Mode
- Support ATA/ATAPI6
- No need any software for USB

Overview

S1R72U16 is a USB host storage controller LSI that supports USB2.0-compliant high-speed mode and IDE. Only "adding" S1R72U16 to the IDE bus of existing systems enables to add USB HS host function for USB storage device. Also S1R72U16 supports the 16bit general CPU interface.

It is possible to add the USB2.0 high speed function for USB storage easily with ATA/ATAPI drivers and CF Drivers,

so the system with S1R72U16 can support many kind of USB storage such like as a USB memory.

Feature

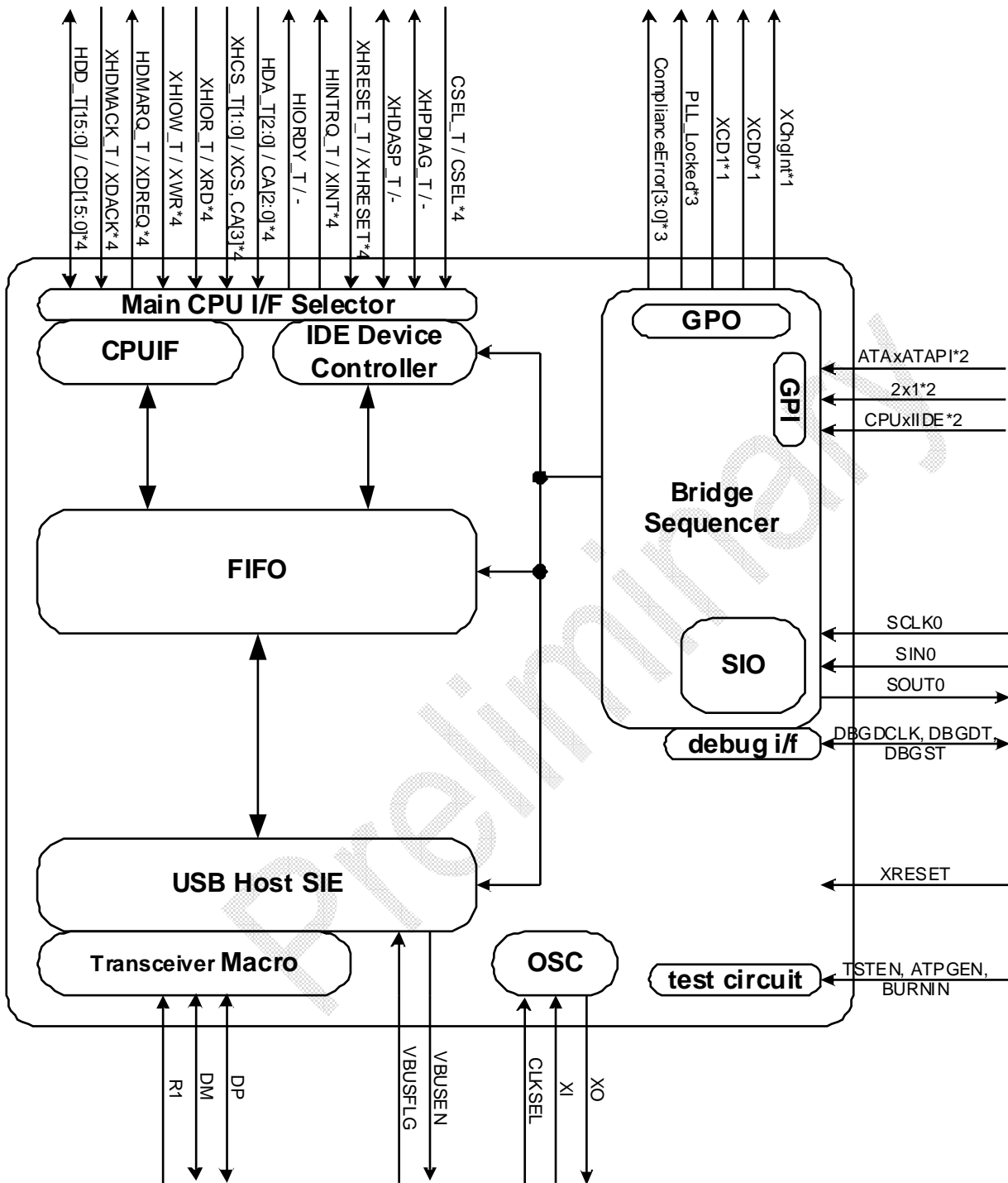
- 1) Easy-to-Use
 - No need to develop any software for USB
- 2) High speed data transfer
 - High speed data transfer by Bridge Sequencer on the ATA100 high speed bus

Specification

- 1) USB
 - High Speed mode (480Mbps) and Full Speed mode (12Mbps)
 - Support Host termination function
 - USB Host Stack, USB Mass Storage Class, USB HUB Class on chip
- 2) IDE Interface
 - Share the pins the CPU interface block
 - Support ATA/ATAPI6
 - PIO mode 0 to 4
 - Multi Word DMA mode 0 to 2
 - UDMA mode 0 to 5
- 3) CPU Interface
 - Share the pins the IDE interface block
 - 16bit general CPU interface (Memory bus)
 - Support DMA
 - Little Endian
- 4) Other
 - Clock is from the external 12MHz and 24MHz X'tal
 - Supply voltage USB3.3V, IDE3.3V, CPU interface=3.3~1.8V, Core=1.8V
 - Operation temperature -40°C to 85°C
 - Package
 - QFP14-80 (12x12mm, 0.5mm pitch, 80pin), S1R72U16F14E100
 - PFBGA8UX81 (8x8mm, 0.8mm pitch, 81ball), S1R72U16B08E100

S1R72U16

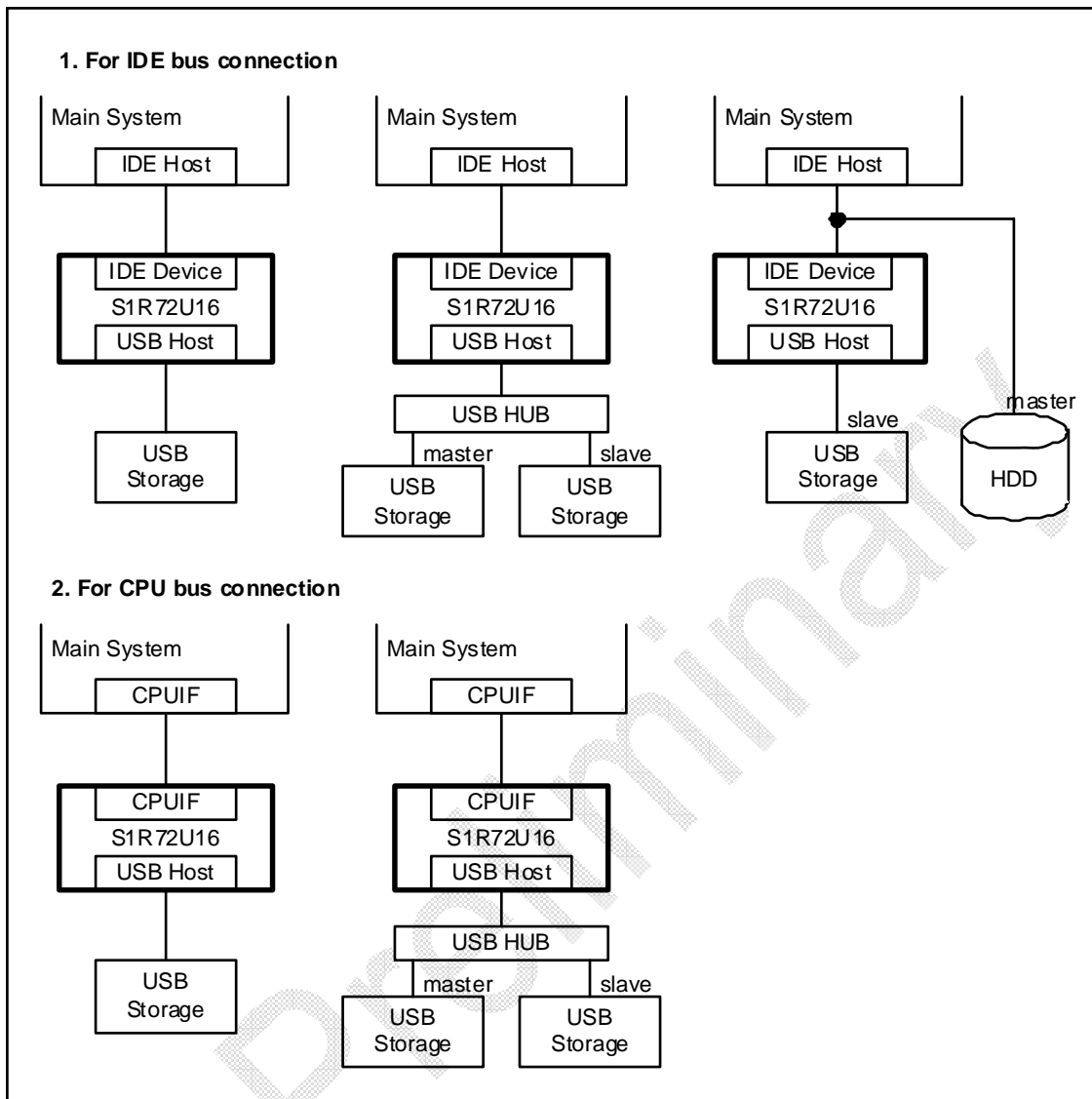
Block Diagram



- *1 Use these pins in the case of using USB storage device as "Removal".
- *2 For CPU interface
- *3 For mode switching between IDE and CPU interface
- *4 For monitor to watch the internal operation and for USB compliance test

S1R72U16

System example with S1R72U16



NOTICE:

No part of this material may be reproduced or duplicated in any form or by any means without the written permission of Seiko Epson. Seiko Epson reserves the right to make changes to this material without notice. Seiko Epson does not assume any liability of any kind arising out of any inaccuracies contained in this material or due to its application or use in any product or circuit and, further, there is no representation that this material is applicable to products requiring high level reliability, such as, medical products. Moreover, no license to any intellectual property rights is granted by implication or otherwise, and there is no representation or warranty that anything made in accordance with this material will be free from any patent or copyright infringement of a third party. This material or portions thereof may contain technology or the subject relating to strategic products under the control of the Foreign Exchange and Foreign Trade Law of Japan and may require an export license from the Ministry of International Trade and Industry or other approval from another government agency.

SEIKO EPSON CORPORATION

SEMICONDUCTOR OPERATIONS DIVISION

IC Sales Department

IC International Sales Group

421-8 Hino, Hino-shi, Tokyo 191-8501, JAPAN

Phone: 042-587-5814

FAX: 042-587-5117

■ EPSON Electronic devices Website

http://www.epson.jp/device/semicon_e/

Document Code:411140900

First issue May, 2007

Printed May, 2007 in Japan

X-ON Electronics

Largest Supplier of Electrical and Electronic Components

Click to view similar products for [USB Interface IC](#) category:

Click to view products by [Epson](#) manufacturer:

Other Similar products are found below :

[CY7C69356-48LTXC](#) [USB3319C-GJ-TR](#) [USB3370B-EZK-TR](#) [CYPD2120-24LQXI](#) [CYPD2122-20FNXIT](#) [CYPD2122-24LQXIT](#) [LIF-UC120-SWG36ITR50](#) [UPD360-A/6HX](#) [CP2102NP1174GM](#) [DPO2039DABQ-13](#) [CY7C68034-56LTXC](#) [TUSB212RWBT](#) [TUSB213IRGYT](#) [TUSB213RGYT](#) [USB3503T-I/ML](#) [CY7C63310-SXC](#) [USB3316C-CP-TR](#) [USB3250-ABZJ](#) [MAX3107ETG+](#) [MAX14632EZK+T](#) [LAN9514-JZX](#) [CYPD2120-24LQXIT](#) [MAX3100CEE+T](#) [USB5806/KD](#) [USB5826-I/KD](#) [USB5826/KD](#) [USB5906/KD](#) [USB5916/KD](#) [USB5926/KD](#) [TUSB215QRGYTQ1](#) [NB7NPQ701MMTTBG](#) [TUSB213RGYR](#) [USB5926-I/KD](#) [USB5906-I/KD](#) [USB4640I-HZH-03](#) [CY7C63813-SXC](#) [CY7C63823-SXC](#) [CY7C64215-28PVXC](#) [CY7C68013A-128AXC](#) [CY7C68013A-56LTXC](#) [CY7C68013A-56LTXI](#) [CY7C68013A-56PVXC](#) [CY7C68013A-56PVXI](#) [CYPD1120-40LQXI](#) [AP43771VDKZ-13](#) [AP43771VFBZ-13](#) [DIO32320MP10](#) [HT42B534-2](#) [FT2232HPQ-TRAY](#) [FT312D-32L1C-T](#)