

INFORMATION

PRODUCT No. : X1E000291001400

MODEL : FA-20HS

INFO. No. : A13-974-0B

DATE : Jan. 14. 2014

SEIKO EPSON CORPORATION

**8548 Naka-minowa
Minowa-machi Kamiina-gun
Nagano-ken
399-4696 Japan**

INTRODUCTION

1. The contents is subject to change without notice.
Please exchange the specification sheets regarding the product's warranty.
2. This sheet is not intended to guarantee or provide an approval of implementation of industrial patents.
3. We have prepared this sheet as carefully as possible.
If you find it incomplete or unsatisfactory in any respect, We would welcome your comments.

This product complies with RoHS Directive.

This Product supplied (and any technical information furnished, if any) by Seiko Epson Corporation shall not be used for the development and manufacture of weapon of mass destruction or for other military purposes.

Making available such products and technology to any third party who may use such products or technologies for the said purposes are also prohibited.

This product listed here is designed as components or parts for electronics equipment in general consumer use.

We do not expect that any of these products would be incorporated or otherwise used as a component or part for the equipment, which requires an extra high reliability, such as satellite, rocket and other space systems, and medical equipment, the functional purpose of which is to keep life.

Product No. / Model

The product No. of this crystal oscillator unit is X1E000291001400.

The model is FA-20HS.

Contents

Item No.	Item	Page
[1]	Absolute maximum ratings	2
[2]	Operating range	2
[3]	Electrical characteristics	2-3
[4]	Environmental and mechanical characteristics	4
[5]	Dimensions and circuit	5
[6]	Recommended soldering pattern and marking layout	6
[7]	Notes	7

MSL

MSL level 1

[1] Absolute maximum ratings

No.	Parameter	Rating value	Note
1	Storage temperature	-40 °C to +125 °C	Suppose to be within CI std. at +25 °C ± 3 °C

[2] Operating range

No.	Parameter	Symbol	Value		
			Min.	Typ.	Max.
1	Operating temperature	T_use	-30 °C	—	+85 °C
2	Level of drive	DL	—	10 μW	100 μW

[3] Electrical characteristics

No.	Parameter	Symbol	Standard	Unit	Conditions
1	Nominal frequency	f	26	MHz	Fundamental
2	Frequency tolerance	f_tol	$\pm 10 \times 10^{-6}$	—	CL = 7.8 pF T_use = +25 °C ± 3 °C Drive level : 100 μW Not include aging
3	Frequency versus temperature characteristics	f_tem	$\pm 10 \times 10^{-6}$	—	T_use = -25 °C to +85 °C (Ref. at +25 °C) Drive level : 100 μW
4	Motional resistance	R1	30 Max.	Ω	π circuit JIS C6701 Drive level : 100 μW T_use = -30 °C to +85 °C
5	Spurious mode series resistance		500 Max.	Ω	± 1 MHz from operating frequency
6	G sensitivity		2.0	10 ⁻⁹ /G	Gamma vector of all three axes from 30Hz to 1.5KHz
7	Full cycle temperature hysteresis		0.5 × 10 ⁻⁶ Max	—	T_use = -40 °C to +85 °C
8	Small cycle temperature hysteresis		0.05 × 10 ⁻⁶ Max	—	5°C Small Orbit Hysteresis T_use = -40 °C to +85 °C
9	Tuning sensitivity	TS	28.0 ± 10%	10 ⁻⁶ /pF	CL = 7.0 pF
10	Shunt capacitance	C0	1.0 ± 10%	pF	
11	Motional capacitance	C1	3.60 ± 10%	fF	
12	Motional inductance	L1	10.4 ± 10%	mH	
13	Isolation resistance	IR	500 Min.	MΩ	DC 100V × 60 sec. between each terminals
14	Frequency perturbation		$\pm 0.5 \times 10^{-6}$	—	Drive level : 100 μW Subtract off a 3 rd polynomial best fit
15	Frequency aging	f_age	$\pm 1.0 \times 10^{-6}$ / first year $\pm 1.5 \times 10^{-6}$ / second year $\pm 2.5 \times 10^{-6}$ / 5years $\pm 5.0 \times 10^{-6}$ / 10years	—	T_use = +25 °C ± 3 °C Drive level : 100 μW
16	1st order coefficient		-0.1 to -0.35	10 ⁻⁶ /°C	
17	2nd order coefficient		-5.0 to -12.0 × e ⁻⁴	10 ⁻⁶ /°C ²	

18	3rd order coefficient		$8.7 \text{ to } 11.0 \times 10^{-5}$	$10^{-6}/^{\circ}\text{C}^3$	
19	Fitting error slope1		$\pm 0.05 \times 10^{-6}$	—	T_use = -10 °C to +60 °C
20	Fitting error slope2		$\pm 0.1 \times 10^{-6}$	—	T_use = -30 °C to +85 °C
21	DLD2		2.5 Max.	Ω	Drive level : 0.01 μW to 100 μW
22	DLDH2		1.5 Max.	Ω	Drive level : 0.01 μW to 100 μW
23	FDDL		2.0×10^{-6} Max.	—	Drive level : 0.01 μW to 100 μW
24	FDLDH		0.7×10^{-6} Max.	—	Drive level : 0.01 μW to 100 μW
25	Thermistor resistance	R25 °C	100	K Ω	Used $\pm 1\%$
26	Thermistor B-Constant	B25 /50°C	4250	K	Used $\pm 1\%$

[4] Environmental and mechanical characteristics

Item No.3 to No.6 shall be tested after following pre conditioning.

Pre conditioning : Test crystal must be leaving in room temperature for 24h after reflow × 3.

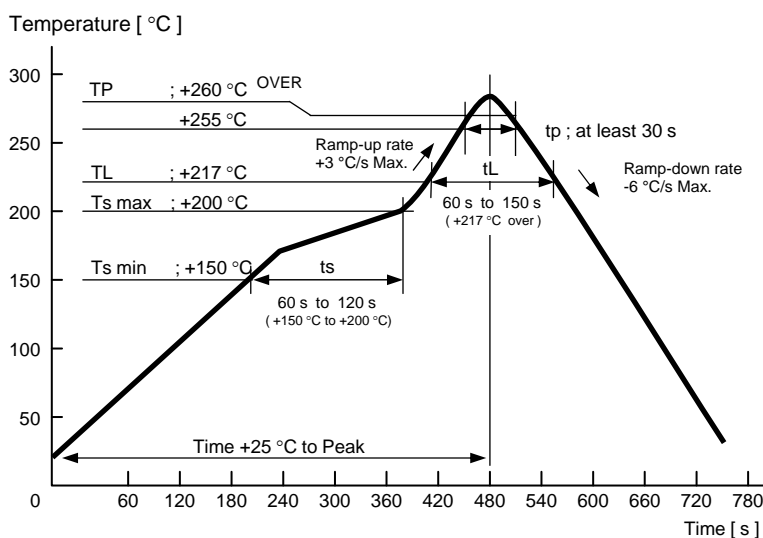
(The company evaluation condition : We evaluate it by the following examination item and examination condition.)

No.	Item	Value *1 *2		Test Conditions
			$\Delta f / f [1 \times 10^{-6}]$	
1	Drop	(2)	± 2	150 g dummy Jig (Epson Toyocom Standard) drop from 1 500 mm height on the Concrete 3 directions 10 times
2	Vibration	(2)	± 2	10 Hz to 55 Hz amplitude 0.75 mm 55 Hz to 500 Hz acceleration 98 m/s ² 10 Hz → 500 Hz → 10 Hz 15 min./cycle 6 h (2 hours , 3 directions)
3	High temperature storage	(1)	± 2	+85 °C × 1 000 h
4	Low temperature storage	(1)	± 2	-40 °C × 1 000 h
5	Temperature cycle	(1)	± 2	-40 °C ↔ +85 °C 30 minutes at each temp. 100 cycle
6	Temperature humidity storage	(1)	± 2	+85 °C × 85 %RH × 1 000 h
7	Resistance to soldering heat		± 2	For convention reflow soldering furnace (3 times)
8	Substrate bending	No peeling-off at a soldered part		Bend width reaches 3 mm and hold for 5 s ± 1 s × 1 time Ref. IEC 60068-2-21
9	Shear	No peeling-off at a soldered part		10 N press for 10 s ± 1 s Ref. IEC 60068-2-21
10	Pull – off	No peeling-off at a soldered part		10 N press for 10 s ± 1 s Ref. IEC 60068-2-21
11	Solder ability	Terminals must be 95 % covered With fresh solder.		Dip termination into solder bath at +230 °C ± 10 °C for 5 s (Using Rosin Flux)

< Notes >

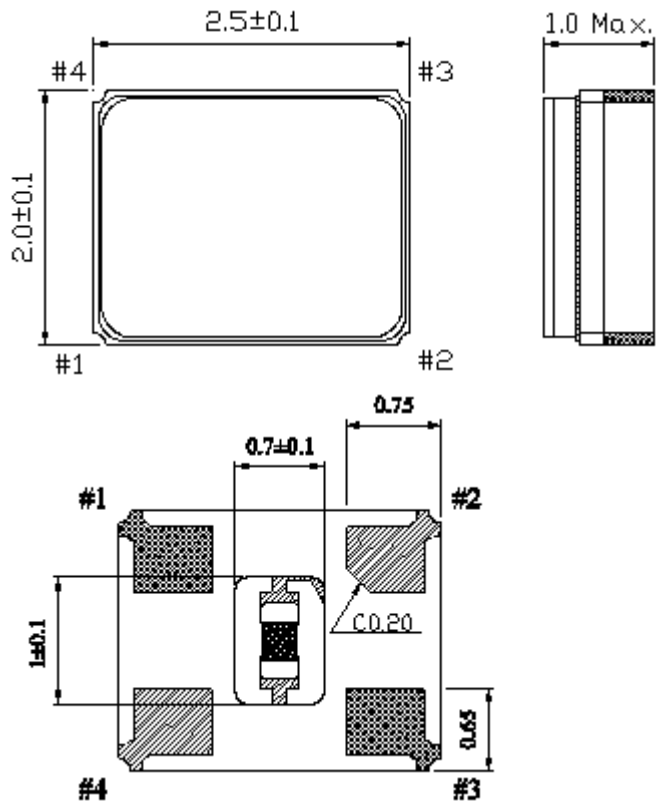
- Item No.1 to No.10 resistance at before above tests should be less than ± 20 % or less than ± 10 Ω .
- *1 each test done independently.
- *2 measuring 2 h to 24 h later leaving in room temperature after each test.
 - Measuring 24 h later leaving in room temperature after each test.
 - Measuring 2 h later leaving in room temperature after each test.

Reflow condition (follow to IPC / JEDEC J-STD-020D.1)



[5] Dimensions and Circuit

1) Dimension

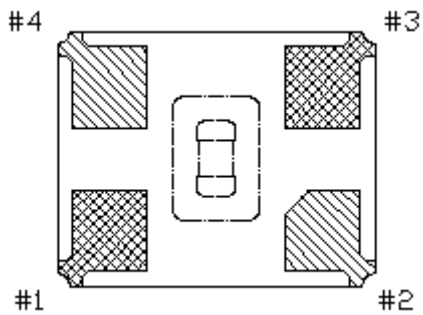


Thermistor size : 0.6×0.3

Unit : mm

2) Circuit

(Top View)



Pin	Connection
1	Xtal
2	GND, thermistor
3	Xtal
4	thermistor

Type

FA-20HS

Terminal treatment

Au plate

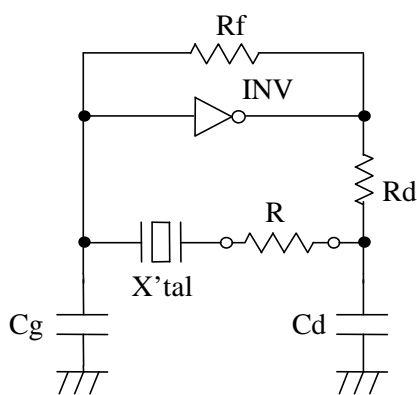
Unit

1 = 1mm

[7] Notes

1. Max three (3) times re-flow is allowed. Its recommended to manually solder when not enough/no solder detected.
(Using soldering iron at +280 °C Max. × within 5 seconds)
2. Patterning on a board should follow our company recommended pattern.
3. Applying excessive excitation force to the crystal resonator may cause deterioration damage.
4. Start up time of oscillation may be increased or no oscillation may occur unless adequate negative resistance is allocated in the oscillation circuit In order to avoid this, please provide enough negative resistance to the circuit design.

How to check the negative resistance



- (1) Connect the resistor(R) to the circuit in series with the crystal Unit.
- (2) Adjust R so that oscillation can start (or stop).
- (3) Measure R when oscillation just start (or stop) in above (2).
- (4) Get the negative resistance
 $-R=R+CI$ value.
- (5) Recommended $-R$
 $[-R]>CI \times 5$

5. It is recommended to do patterning to the oscillator as short as possible. Abnormal oscillation may happened if the line is too long.
6. To avoid malfunction, no pattern across or near the crystal is allowed.
7. Few data or readings taken at user side may be different from our company's data. Confirmation of the different value is necessary before application.
8. Too much exciting shock or vibration may cause deterioration on damage.
The product may damage depends on the condition such as a shock in assembly machinery.
Please check your process condition in advance to minimize and maintain the shock level.
9. This product may be affected to ultrasonic cleaning. It is depends on the cleaning conditions.
(Cleaning machine type/power/time/content/position etc.)
The warranty will not cover any damage due to this type of usage. Check conditions prior to use.
10. Condensation may occur when used/stored under high humidity condition.
Please take precautions to prevent condensation.
11. Please refer to packing specification for the storage method and packing standard.

TAPING SPECIFICATION

1. APPLICATION

This document is applicable to FA-20HS

2. CONTENTS

Item No.	Item	Page
[1]	Taping specification	1 to 2
[2]	Inner carton	3
[3]	Shipping carton	
[4]	Marking	4
[5]	Quantity	
[6]	Storage environment	
[7]	Handling	

[1] Taping specification

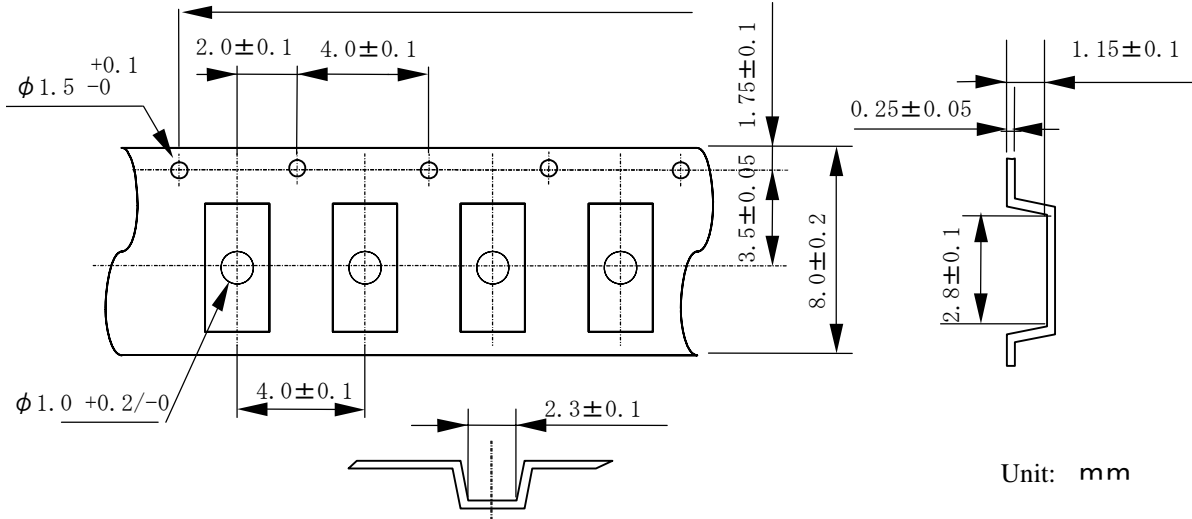
Subject to EIA-481 & IEC-60286

(1) Tape dimensions TE0804L

Material of the Carrier Tape : PS (Electrically conductive)

Material of the Top Tape : PET+PE

10P : 40 ± 0.2

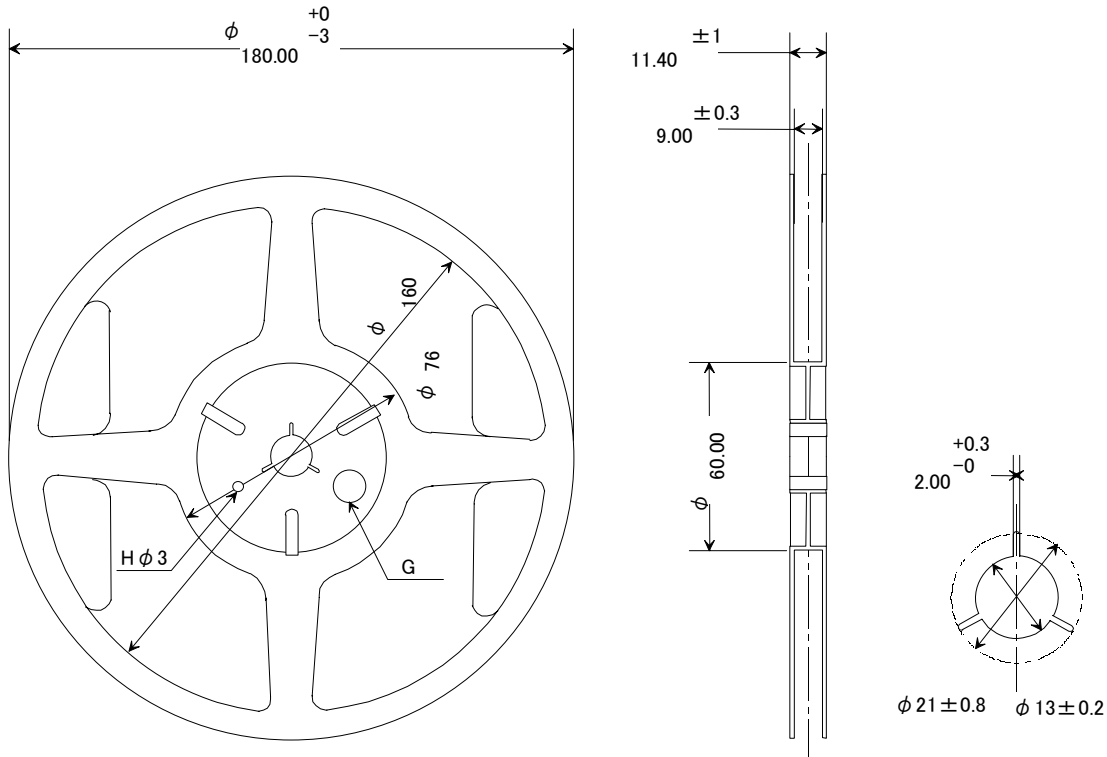


Unit: mm

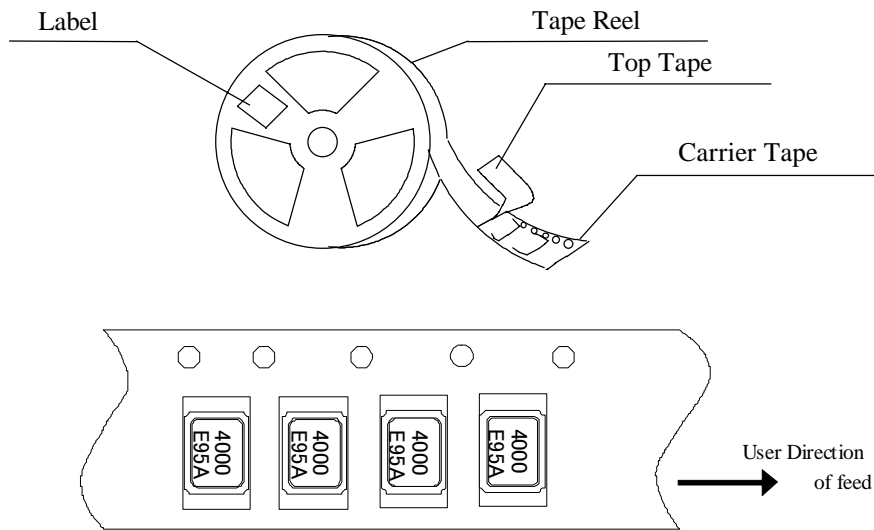
(2) Reel dimensions EIAJ-RRM08B60

(a) Center material : PS

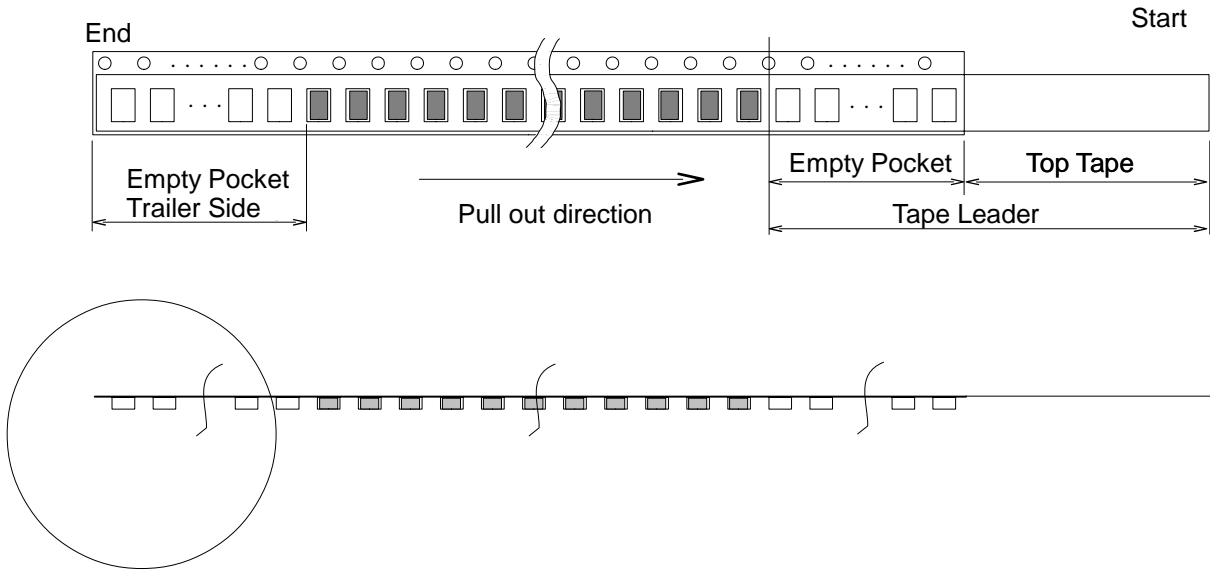
(b) Material of the Reel : PS



(3) Packing
(a) Tape & Reel



(b) Start & End Point



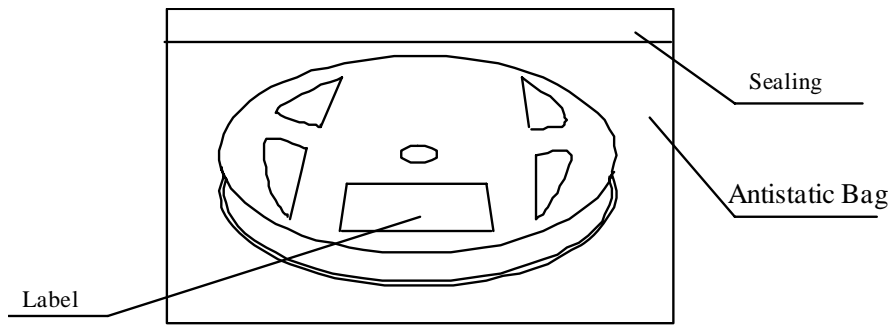
Item		Empty Space
Tape Leader	Top Tape	Min. 1 000 mm
	Carrier Tape	Min. 100 mm
Tape Trailer	Top Tape	Min. 0 mm
	Carrier Tape	Min. 160 mm

(4) Peel force of the cover tape

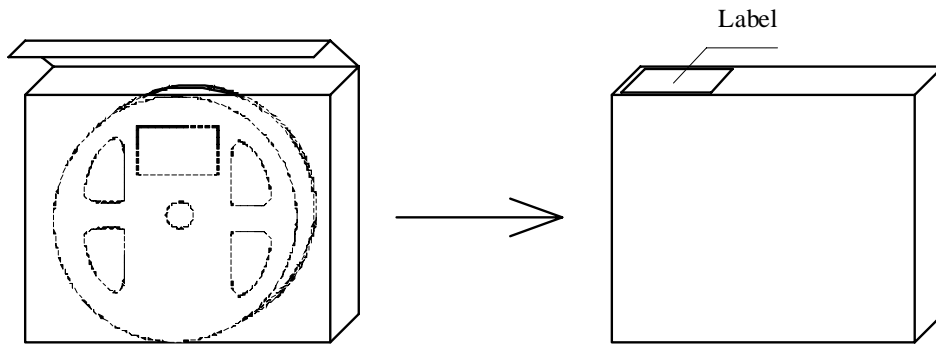
- (a) angle : cover tape during peel off and the direction of unreeling shall be 165° to 180°.
- (b) peel speed : 300 mm / min.
- (c) strength : 0.1 to 1 N.

[2] Inner Carton

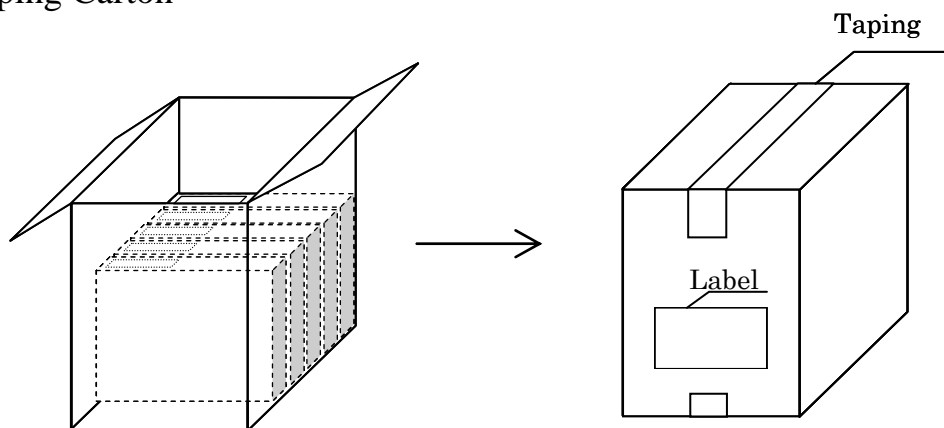
a) Packing to antistatic bag



b) Packing to inner carton



[3] Shipping Carton



[4] Marking

- (1) Reel marking
 - Reel marking shall consist of :
 - 1) Parts name
 - 2) Quantity
 - 3) Manufacturing Date or symbol
 - 4) Manufacturer's Date or symbol
 - 5) Others (if necessary)
- (2) Inner carton marking
 - Same as Reel marking.
- (3) Shipping carton marking
 - Shipping carton marking shall consist of :
 - 1) Parts name
 - 2) Quantity

[5] Quantity

- 2500 pcs./reel

[6] Storage environment

- (1) Before open the packing, we recommend to keep less than +30 °C and 85 %RH of Humidity, and to use it less than 6 months after delivery.
- (2) We recommend to open Package in immediately before use. After open Package, We recommend to keeps less than 6 month. No need dry air before soldering work if it is less than temperature +30 °C, 85 humidity %RH.
- (3) Not to expose the sun.
- (4) Not to storage with some erosive chemicals.
- (5) Nothing is allowed to put on the reel or carton to prevent mechanical damage.

[7] Handling

To handle with care to prevent the damage of tape, reel and products.

- Process Quality Control -

No. A-1101-01-AAE-1

SMD TYPE CRYSTAL UNIT : FA-20HS (Crystal+Thermistor)

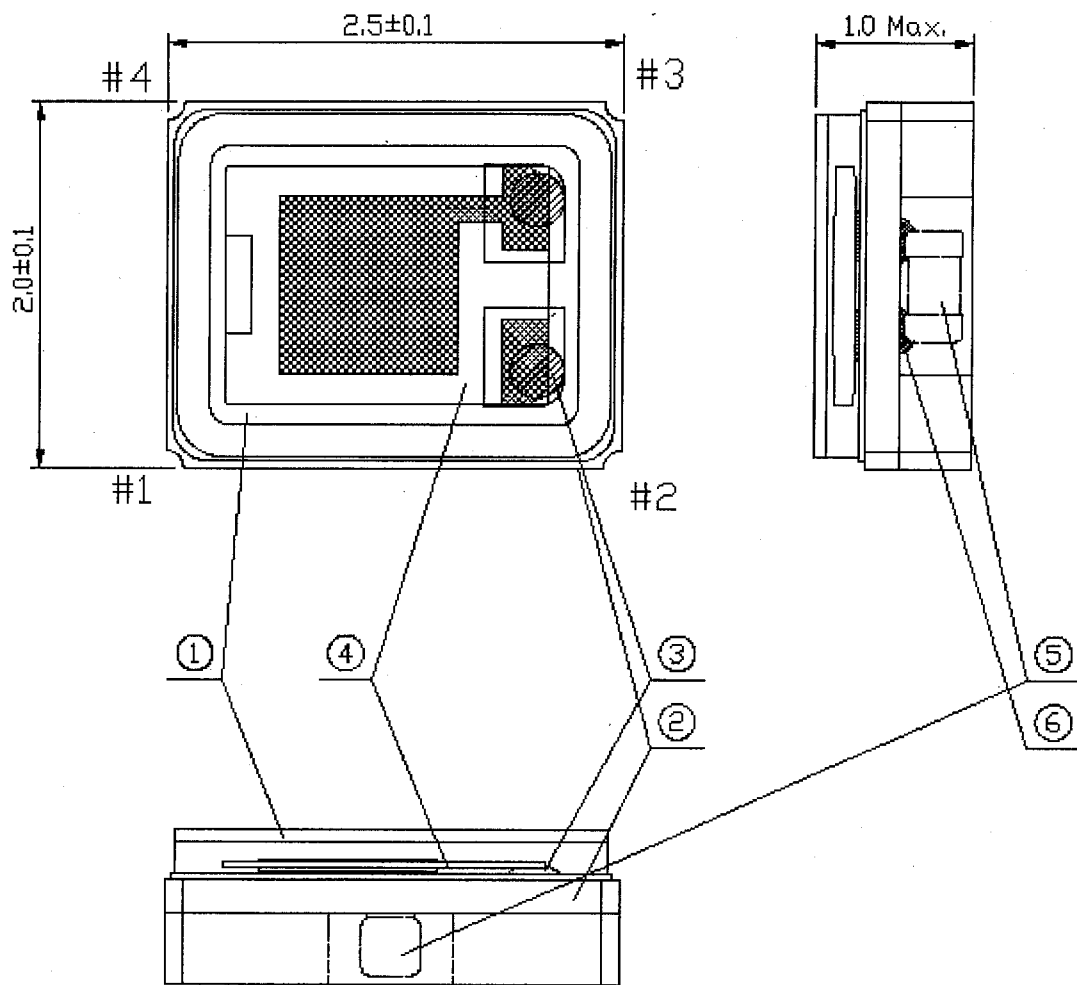
12.09.14

Manufacturing process Chart		No.	Section	Standard	Inspection, Control items	Inspection method	Instrument	Record
<p>Crystal block</p> <p>▽</p> <p>①</p> <p>In-coming inspection</p> <p>②</p> <p>Wafer cutting</p> <p>③</p> <p>Wafer lapping</p> <p>④</p> <p>Photo process</p> <p>⑤</p> <p>Mounting</p> <p>⑥</p> <p>Frequency adjustment</p> <p>⑦</p> <p>Welding</p> <p>⑧</p> <p>Leak test</p> <p>⑨</p> <p>Marking</p> <p>⑩</p> <p>Characteristic inspection 1</p> <p>⑪</p> <p>Thermistor Mounting</p> <p>⑫</p> <p>Characteristic inspection 2</p> <p>⑬</p> <p>Out-going inspection</p> <p>⑭</p> <p>Taping</p> <p>⑮</p> <p>Packing</p> <p>Ceramic base</p> <p>▽</p> <p>①</p> <p>In-coming inspection</p> <p>Lid</p> <p>▽</p> <p>①</p> <p>In-coming inspection</p> <p>Thermistor</p> <p>▽</p> <p>①</p> <p>In-coming inspection</p>	1	Inspecting section. (Ina / Miyazaki Plant)	Purchasing specification Incoming inspection standard	Size. Outer appearance. Inner appearance.	Sampling. " "	Measure. Visual inspection. Visual inspection.	In-coming inspection data sheet.	
	1'	Inspecting section. (Ina / Thailand / Malaysia Plant)	"	Size. Outer appearance.	Sampling. "	Comparator. Micro scope.	"	
	2	Inspecting section. (Ina / Miyazaki Plant)	Manufacturing instruction sheet	Cut angle. Wafer thickness.	Sampling. "	X-ray radio graphic. Comparator.	Process data sheet.	
	3	Producing section. (Ina / Miyazaki Plant)	"	Frequency. Wafer thickness.	Sampling. "	Frequency counter. Comparator.	"	
	4	Producing section. (Ina / Miyazaki Plant)	"	Size. Frequency. Outer appearance.	Sampling. " "	Comparator. Frequency counter. Micro scope.	"	
	5	Producing section. (Ina / Thailand / Malaysia Plant)	"	Outer appearance.	All inspection	Micro scope.	"	
	6	Producing section. (Ina / Thailand / Malaysia Plant)	"	Frequency.	Sampling.	Network analyzer.	"	
	7	Producing section. (Ina / Thailand / Malaysia Plant)	"	Outer appearance.	Sampling.	Micro scope.	"	
	8	Producing section. (Ina / Thailand / Malaysia Plant)	"	Airtightness check.	All inspection	Leak tester.	"	
	9	Producing section. (Ina / Thailand / Malaysia Plant)	"	Outer appearance.	Sampling.	Micro scope.	"	
	10	Producing section. (Ina / Thailand / Malaysia Plant)	"	Drive Level Dependency Insulation resistance.	All inspection "	Inspectional machine. "	"	
	11	Producing section. (Ina / Thailand / Malaysia Plant)	"	Outer appearance.	Sampling.	Micro scope.	"	
	12	Producing section. (Ina / Thailand / Malaysia Plant)	"	Crystal impedance. Frequency. Thermistor resistance. Temp. characteristic. Outer appearance.	All inspection " " Sampling. All inspection	Inspectional machine. " " " Micro scope.	"	
	13	Inspecting section. (Ina / Thailand / Malaysia Plant)	Out-going inspection standard	Crystal impedance. Frequency. Insulation resistance.	Sampling. " "	Inspection M/C. " "	Out-going inspection data sheet.	
	14	Producing section. (Ina / Thailand / Malaysia Plant)	Manufacturing instruction sheet	Tape-peel strength.	Sampling.	Peelinf force tester.	Process data sheet.	
15	Product control section. (Ina / Thailand / Malaysia Plant)	Manufacturing instruction sheet Packing instruction sheet	Address. Quantity.	—	—	Delivery slip.		

FA-20HS Construction Drawing

No. : A-1101-AE-1

Unit : mm



No	Parts NAME	Material	Surface Treatment
①	LID	Covar	Ni Plating
②	BASE	Ceramic · Covar	Au Plating
③	Ag Paste	Bonding Paste of Electric Conductor	
④	Crystal Chip	Crystal	Electrode Pattern(Au)
⑤	Thermistor	Ceramic	Ni Plating + Sn Plating
⑥	Solder	Sn - Ag - Cu	

RELIABILITY TEST DATA

Product Name : FA-20HS

The Company evaluation condition

We evaluate environmental and mechanical characteristics by the following test condition .

No. ATE11-CO-141E

No.	ITEM	TEST CONDITIONS	VALUE *1 *2	TEST	FAIL
			$\Delta f / f$ [1×10^{-6}]	Qty [n]	Qty [n]
1	Drop	150g dummy Jig (Epsontoyocom Standard) drop from 1500 mm height on the Concrete 6 directions 10 times	*3 ± 2	22	0
2	Vibration	10 Hz to 55 Hz amplitude 0.75 mm 55 Hz to 500 Hz acceleration 98 m/s ² 10 Hz → 500 Hz → 10 Hz 15 min / cycle 6 h (2 h × 3 directions)	*3 ± 2	22	0
3	High temperature storage	+85 °C × 1 000 h	*3 ± 2	22	0
4	Low temperature storage	-40 °C × 1 000 h	*3 ± 2	22	0
5	Temperature cycle	-40 °C ⇔ + 125 °C 30 min at each temp. 100 cycles	*3 ± 2	22	0
6	Temperature humidity storage	+85 °C × 85 %RH × 1 000 h	*3 ± 2	22	0
7	Resistance to soldering heat	For convention reflow soldering furnace (3 times)	± 2	22	0
8	Substrate bending	Bend width reaches 3.0 mm and hold for 5 s ± 1 s × 1 time Ref. IEC 60068-2-21	No peeling - off at a solder part	11	0
9	Shear	10 N press for 10 s ± 1 s Ref. IEC 60068-2-21	No peeling - off at a solder part	11	0
10	Pull - off	10 N press for 10 s ± 1 s Ref. IEC 60068-2-21	No peeling - off at a solder part	11	0
11	Solderability	Dip termination into solder bath at +235°C ± 10 °C for 5 s (Using Rosin Flux)	Termination must be 95 % covered with fresh solder	11	0

Notes

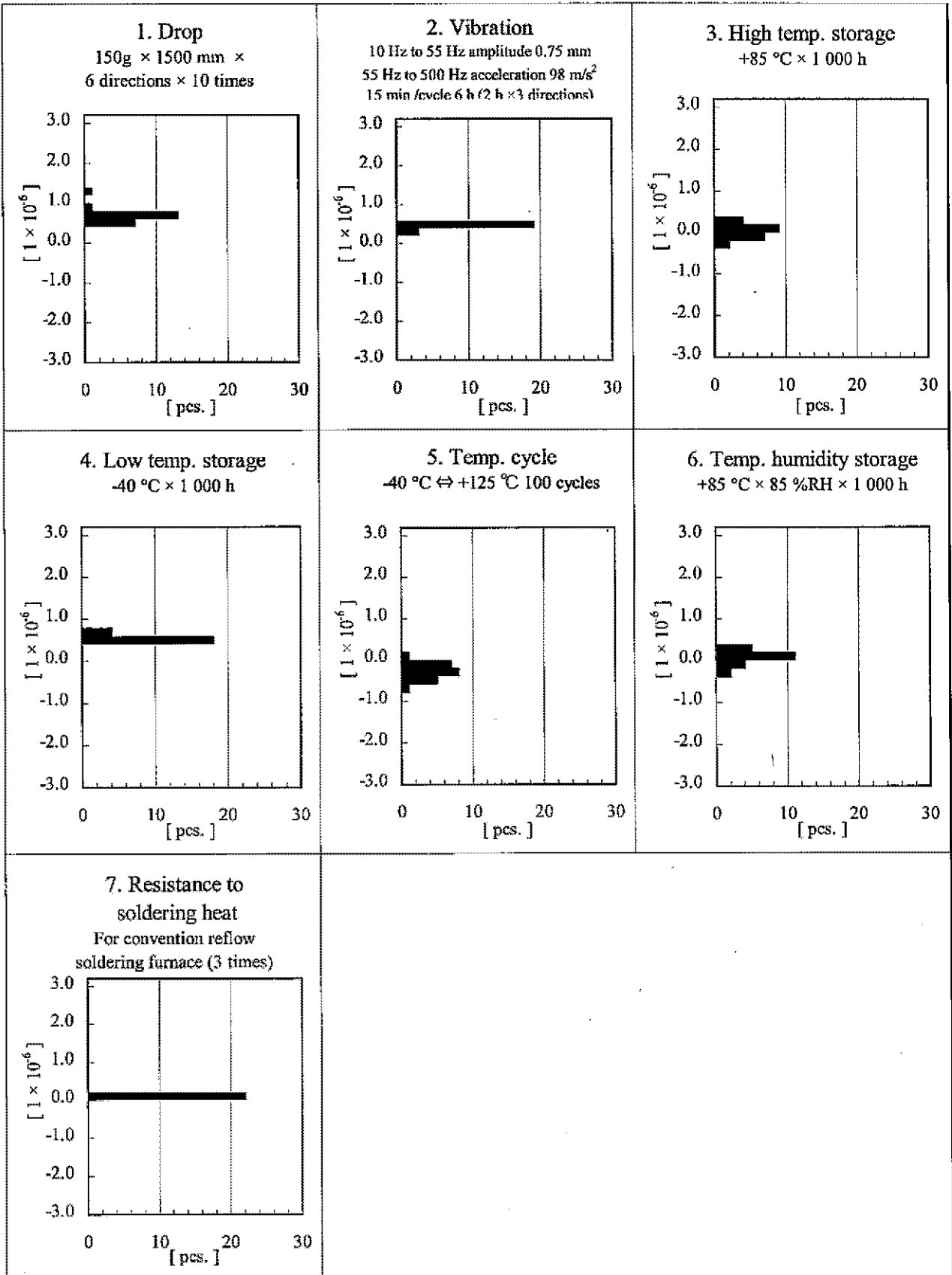
1. *1 Each test done independently.
2. *2 Measuring 2 h to 24 h later leaving in room temperature after each test.
3. *3 Measuring 24 h later leaving in room temperature after each test.
 1. Reflow 3 times
 2. Initial value shall be after 24h at room temperature.
4. Shift series resistance at before above tests should be less than ±20 % or less than ±10 Ω.

Qualification Data

Product Name : FA-20HS

$\Delta f/f$

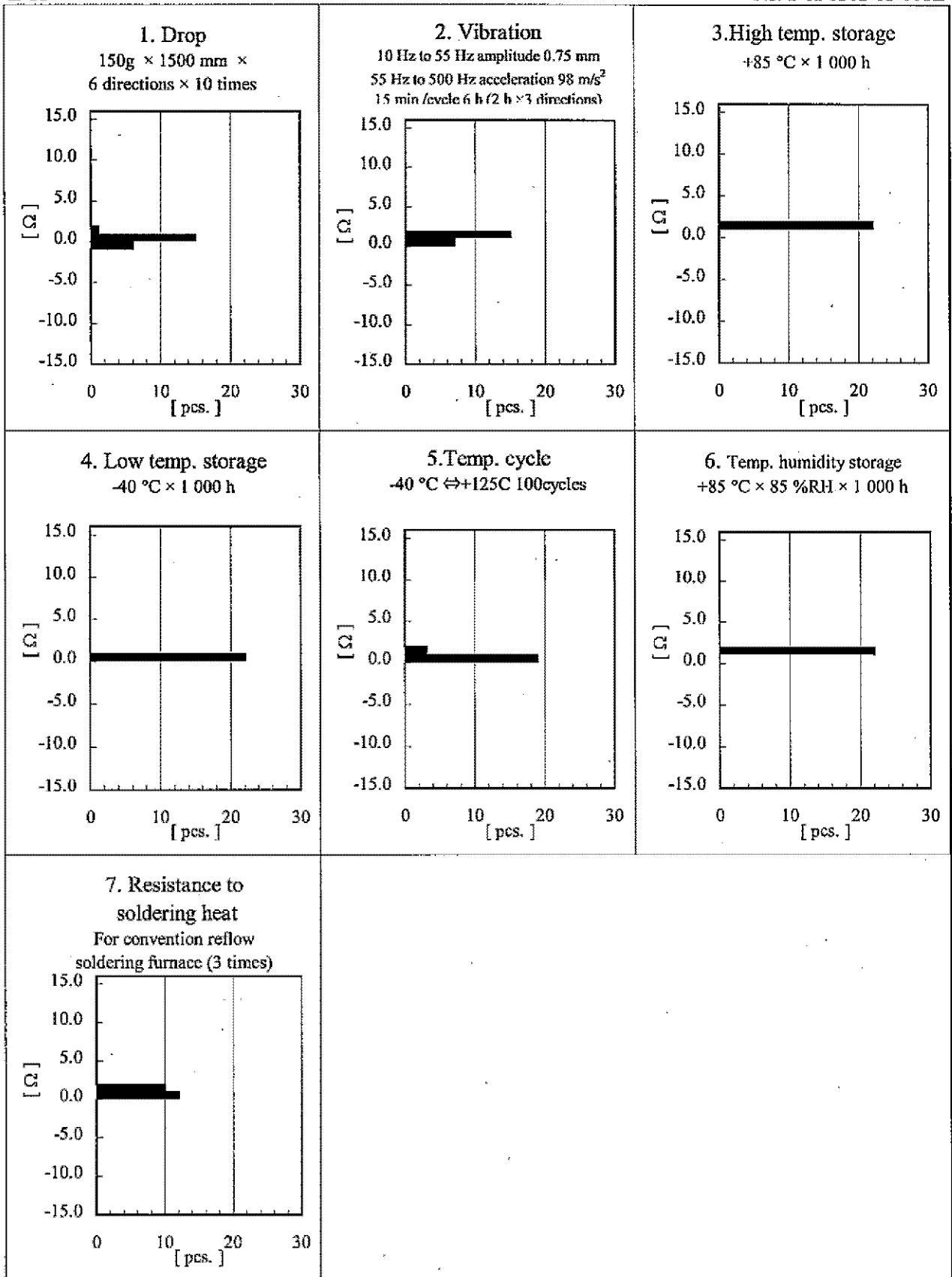
No. F-A-0502-05-005E



Product Name : FA-20HS

Δ CI

No. F-A-0502-05-006E



ATTN : LONGCHEER TECHNOLOGY (SHANGHAI)CO., LTD.

Quality and reliability data

No.ST13-475
Jan., 14, 2014
SEIKO EPSON CORP.
TD • CS QUALITY ASSURANCE DEPARTMENT

Type : FA-20HS

·Machine Model
JEDEC JESD22-A115-A
(C=200 pF;R=0 Ω) : > ±400 Volt

·Human Body Model
JESD22-A114D
(C=100 pF;R=1 500 Ω) : > ±2000 Volt

Criterion : Frequency change rate exceeded $\pm 2 \times 10^{-6}$

X-ON Electronics

Largest Supplier of Electrical and Electronic Components

Click to view similar products for [Crystals](#) category:

Click to view products by [Epson](#) manufacturer:

Other Similar products are found below :

[CX3225GB25000M0PPSZ1](#) [718-13.2-1](#) [MC405 32.0000K-R3:PURE SN](#) [7A-40.000MAAE-T](#) [FL2000085](#) [99-BU](#) [9B-15.360MBBK-B](#) [9C-7.680MBBK-T](#) [H10S-12.000-18-EXT-TR](#) [ABC2-6.000MHZ-D4Z-T](#) [ABLS-20.000MHZ-D2-T](#) [ABS071-32.768KHZ-6-T](#) [R38-32.768-12.5-5PPM-NPB](#) [BTD1062E05A-513](#) [21U15A-21.4MHZ](#) [RTX-781DF1-S-20.950](#) [LFXTAL066198Cutt](#) [9C-14.31818MBBK-T](#) [A-11.000MHZ-27](#) [ABL-27.000MHZ-B4Y-T](#) [ABM11-132-24.000MHZ-T3](#) [ABM3B1-25.000MHZ-D2Y-T](#) [SPT2A-.032768B](#) [SPT2A.032768G](#) [SSPT7F-9PF20-R](#) [FX325BS-38.88EEM1201](#) [LFXTAL065253Cutt](#) [LFXTAL066431Cutt](#) [XT9S20ANA14M7456](#) [XT9SNLANA16M](#) [646G-24-2](#) [7A-24.576MBBK-T](#) [7B-30.000MBBK-T](#) [7A-14.31818MBBK-T](#) [6504-202-1501](#) [6526-202-1501](#) [ABLS-12.000MHZ-B2Y-T](#) [7A-10.000MBBK-T](#) [SG636PCE-20.000MC](#) [3404](#) [E1SAA18-25.000M TR](#) [CM315D32768EZFT](#) [C1E-24.000-7-2020-R](#) [C1E-19.200-12-1530-X-R](#) [C1E-16.000-12-1530-X-R](#) [ABM11-16.000MHZ-9-B1U-T](#) [FL5000014](#) [EUCA18-3.1872M](#) [FX0800015](#) [425F35E027M0000](#)