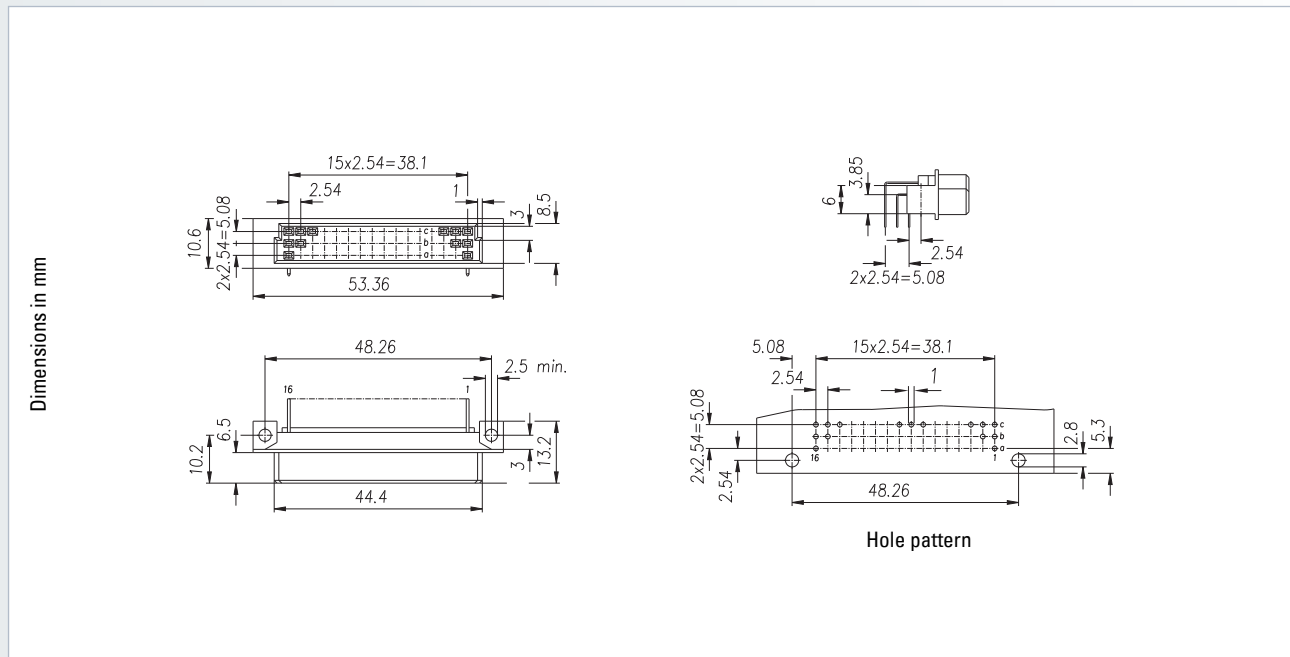


## Connectors according to DIN 41612 / IEC 60603-2

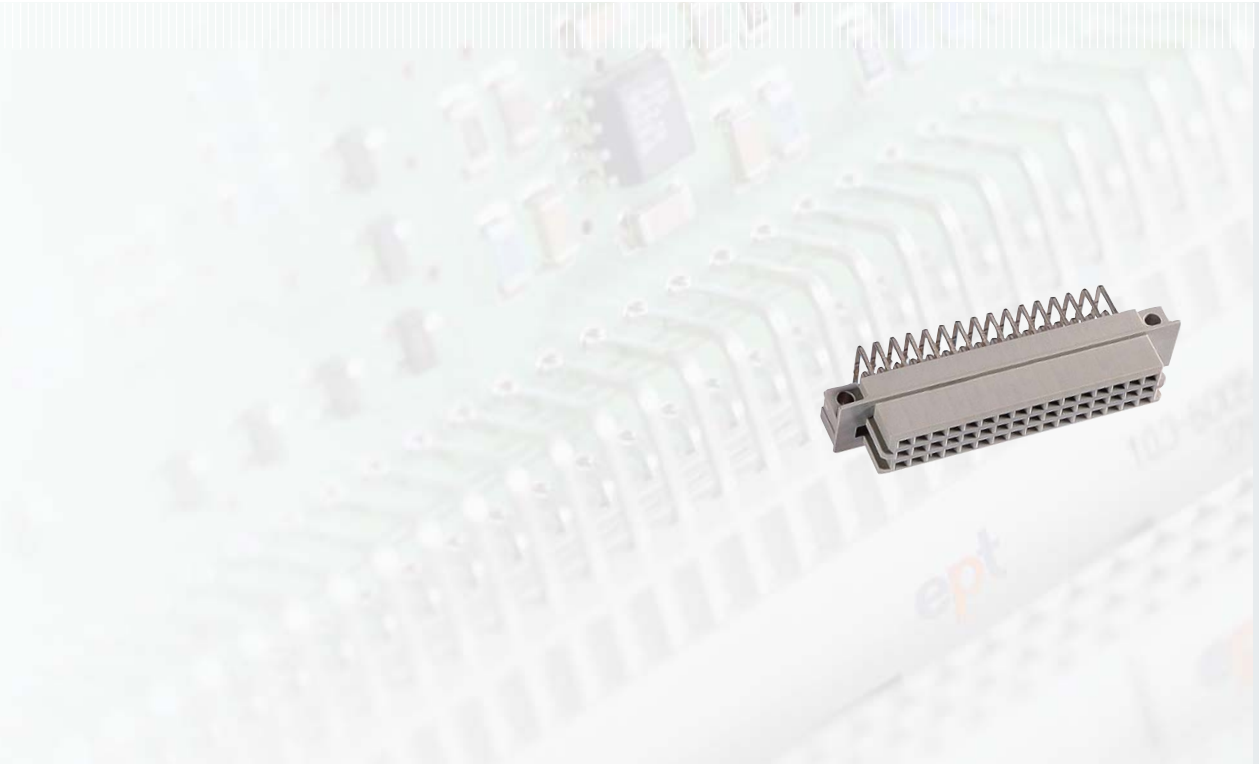
### Type R/2

Female connector



| No. of contacts | Contact arrangement | Press-fit technology – Performance level II |
|-----------------|---------------------|---|
|                 |                     | Termination length                          |
|                 |                     |   |
|                 |                     | Part number                                 |
| 32              |                     | 116-69054                                   |
| 48              |                     | 116-69064                                   |

| Accessories  | On request  | Options  |
|--|---|--|
| <ul style="list-style-type: none"> <li>– Press-fit tool (see page 210)</li> <li>– Support tool (see page 211)</li> </ul> | <ul style="list-style-type: none"> <li>– Performance levels I + III or customer-specific</li> <li>– Special contact length</li> </ul> | <ul style="list-style-type: none"> <li>– Without flange</li> <li>– Contact arrangement (see page 162)</li> </ul> |



| No. of contacts | Contact arrangement | Solder technology – Performance level II |             |
|-----------------|---------------------|--|-------------|
|                 |                     | Termination length                       | Part number |
|                 |                     |  |             |
| 32              |                     |  | 116-90054   |
| 48              |                     |  | 116-90064   |

**On request**

- Performance levels I + III or customer-specific
- Special contact length
- Also in THTR

**Options**

- Board lock (see page 159)
- Contact arrangement (see page 162)

## X-ON Electronics

Largest Supplier of Electrical and Electronic Components

*Click to view similar products for [FFC & FPC Connectors](#) category:*

*Click to view products by [EPT manufacturer](#):*

Other Similar products are found below :

[HFW11R-1STE1H1LF](#) [FH29B-100S-0.2SHW\(99\)](#) [FA5S008HP1](#) [FH29B-120S-0.2SHW\(99\)](#) [FH29B-80S-0.2SHW\(99\)](#) [FHS-16](#) [FPH-2022G](#)  
[52610-1075](#) [52610-1275](#) [52610-1934](#) [XF3M\(1\)-1415-1B-R100](#) [501864-3091-TR225](#) [0525594033](#) [086210010340800](#) [086222026001800](#)  
[52271-2869-CUT-TAPE](#) [62674-201121DLF](#) [62684-36210E9ALF](#) [52610-1675](#) [52746-1671-TR250](#) [10051922-2810EHLF](#) [6-520415-9](#)  
[BD021-09A-A1-0350-0200-0550-LD](#) [SFV6R-1STE9HLF](#) [XF3M-2915-1B-R100](#) [1658549-1](#) [62674-221121ALF](#) [46214008010800](#)  
[046298003000883](#) [151660622](#) [842-816-2630-035](#) [AYF530665TA](#) [AYF351525](#) [046296011930846+](#) [AYF352325A](#) [046254020000800+](#)  
[FH19C-13S-0.5SH\(99\)](#) [FH39J-51S-0.3SHW\(99\)](#) [AYF355125A](#) [AYF530365TA](#) [FH29B-44S-0.2SHW\(99\)](#) [SFW5R-2STAE9LF](#) [AYF351125A](#)  
[AYF350725A](#) [62684-502100AHLF](#) [FH39-61S-0.3SHW\(99\)](#) [AYF414035A](#) [10064555-172520HLF](#) [AYF212335A](#) [504754-2500](#)